



US00D750399S

(12) **United States Design Patent**
Prada et al.

(10) **Patent No.:** **US D750,399 S**
(45) **Date of Patent:** **** Mar. 1, 2016**

(54) **DESK OR BUREAU**

(71) Applicants: **Renart Prada**, Miami, FL (US); **Guido Rene Planes**, Miami, FL (US)

(72) Inventors: **Renart Prada**, Miami, FL (US); **Guido Rene Planes**, Miami, FL (US)

(**) Term: **14 Years**

(21) Appl. No.: **29/513,602**

(22) Filed: **Jan. 2, 2015**

(51) **LOC (10) Cl.** **06-03**

(52) **U.S. Cl.**
USPC **D6/645**

(58) **Field of Classification Search**
USPC D6/645, 658, 665, 651, 652, 688, 388,
D6/674; D12/196
CPC A47B 13/00; A47B 17/00; A47B 17/04;
A47B 19/00; A47B 43/00; A47B 88/22
See application file for complete search history.

(56) **References Cited**

U.S. PATENT DOCUMENTS

D282,032 S *	1/1986	Lemmeyer	D6/440
D292,758 S *	11/1987	Bethune	D6/388
D497,268 S *	10/2004	Kirby	D6/434
D548,483 S *	8/2007	Weldon	D6/434
D587,637 S *	3/2009	Pfeiffer	D12/164

* cited by examiner

Primary Examiner — Janice Seeger

(74) *Attorney, Agent, or Firm* — Christopher J. VanDam, PA;
Chris Van Dam

(57) **CLAIM**

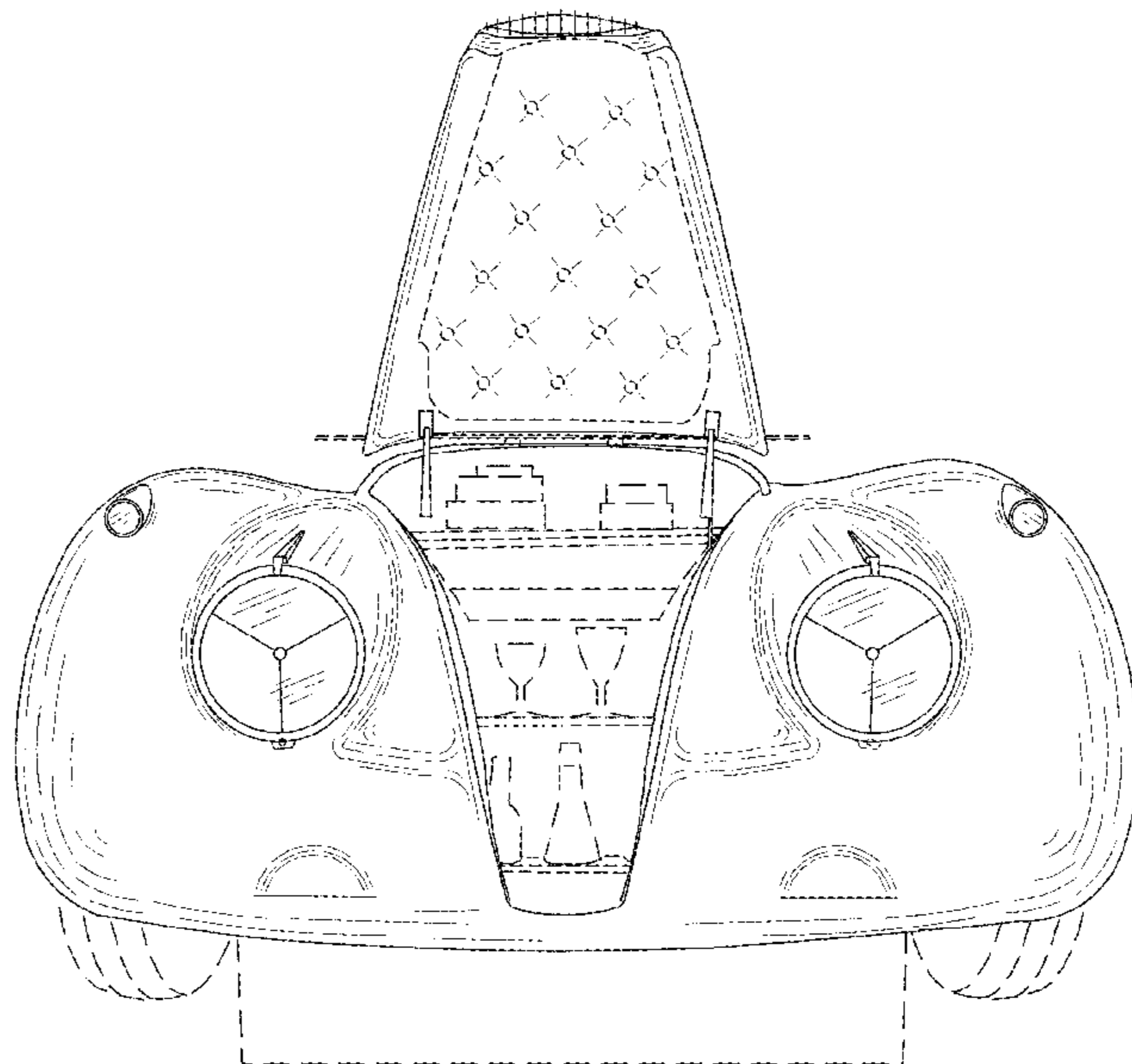
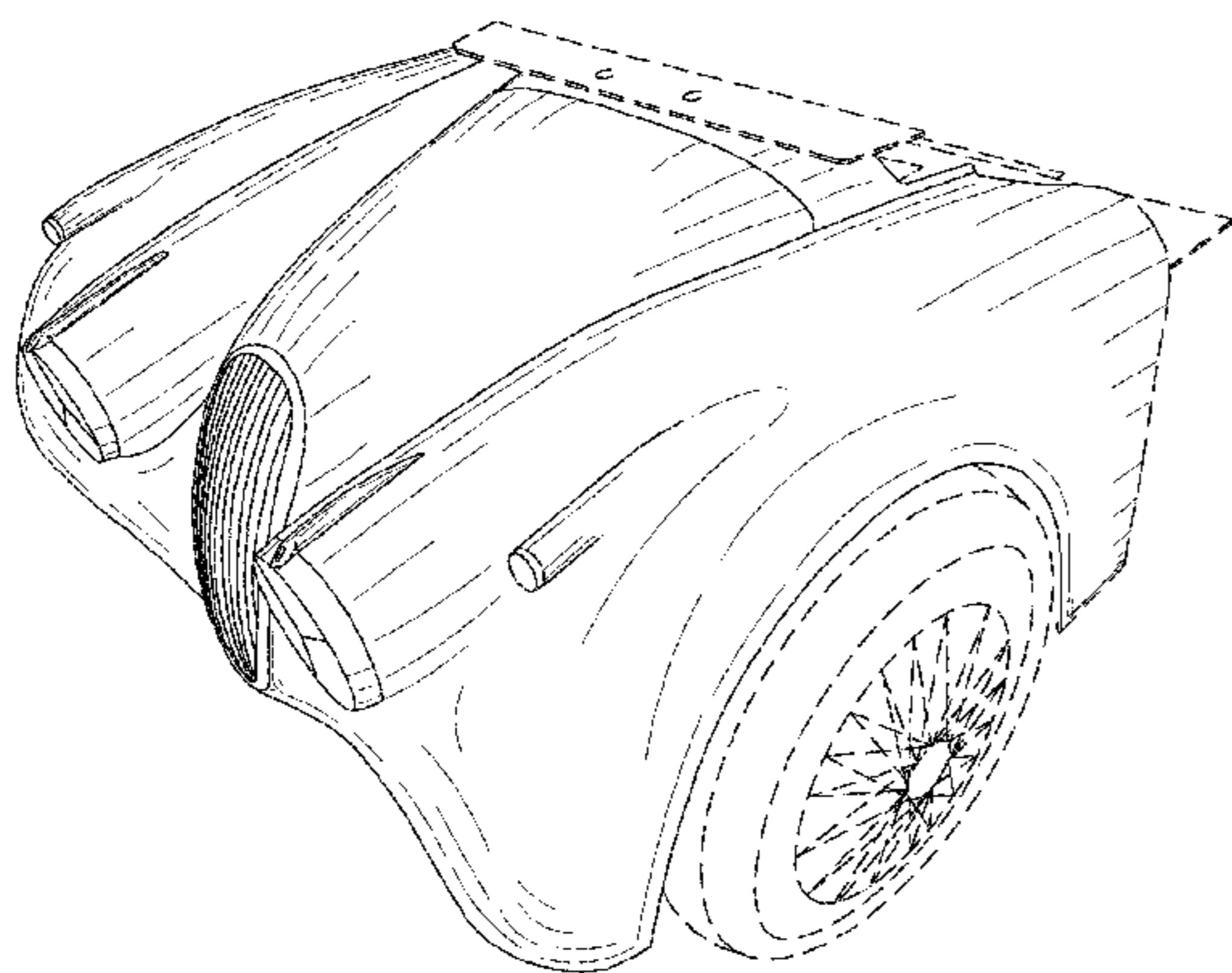
The ornamental design for a desk or bureau, as shown and described.

DESCRIPTION

FIG. 1 is a top perspective view of a desk or bureau, showing my new design;
FIG. 2 is a front elevational view;
FIG. 3 is a front elevational view in open position;
FIG. 4 is a top plan view;
FIG. 5 is a top plan view in open position;
FIG. 6 is a left side elevational view;
FIG. 7 is a left side elevational view in open position;
FIG. 8 is a right side elevational view;
FIG. 9 is a right side elevational view in open position.
FIG. 10 is a rear side elevational view;
FIG. 11 is a rear side elevational view in open position;
FIG. 12 is a bottom plan view; and,
FIG. 13 is a bottom plan view in open position.
The environmental structures illustrated in broken lines form no part of the claimed design.

The present design provides a desk or bureau that contains ornamental features of a luxury vintage automobile that includes a storage bin where books or liquors can be stored.

1 Claim, 12 Drawing Sheets



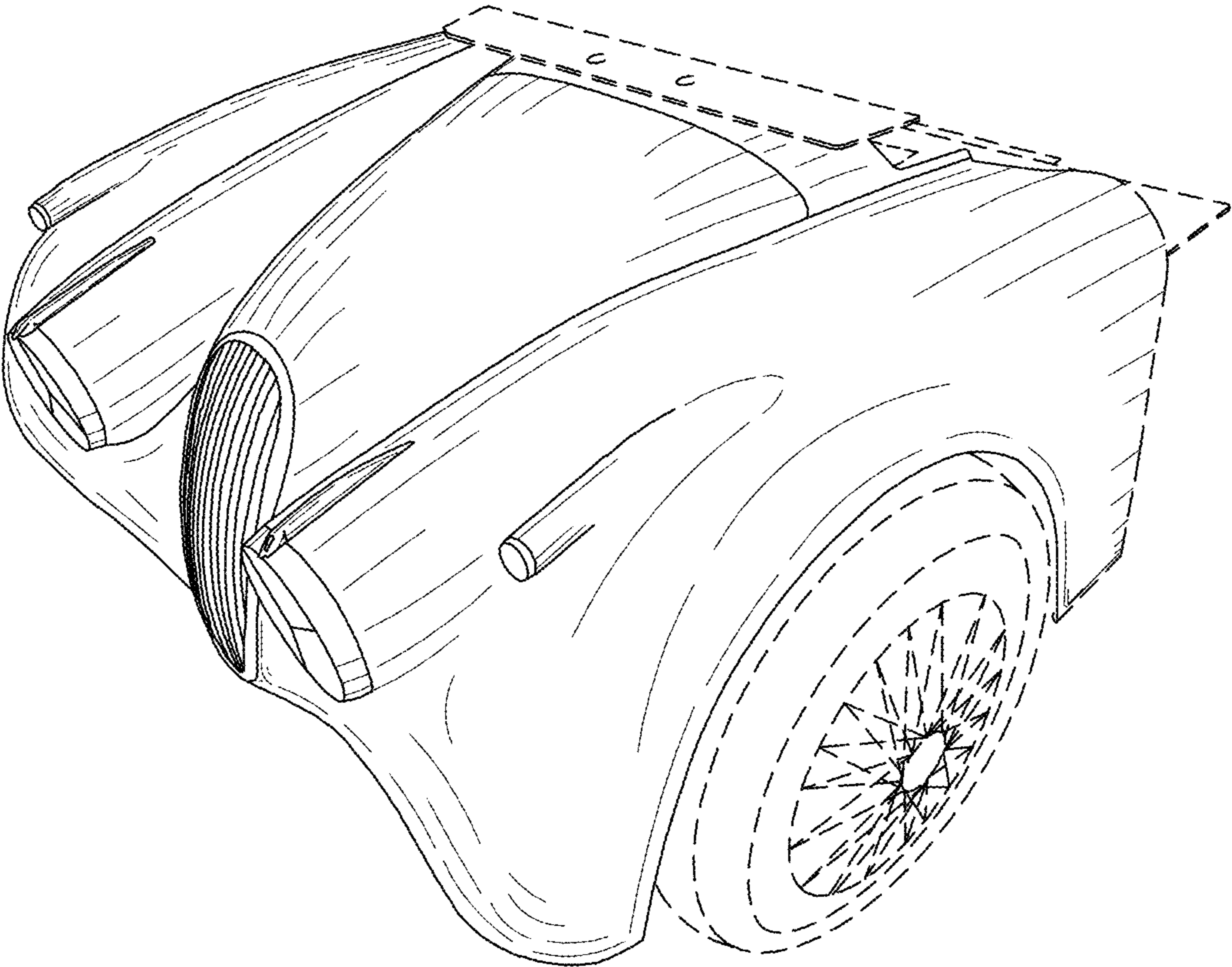


FIG. 1

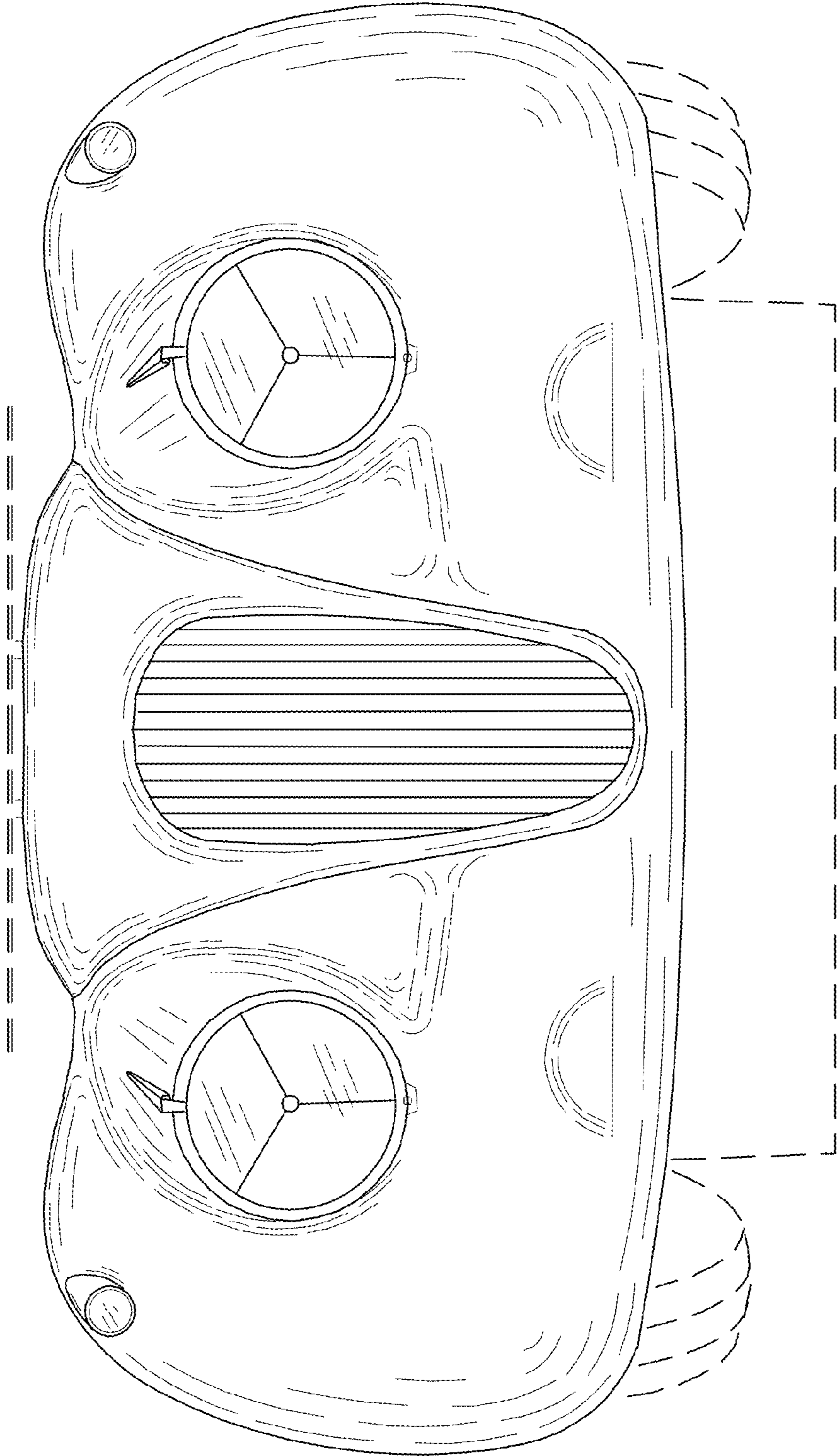


FIG. 2

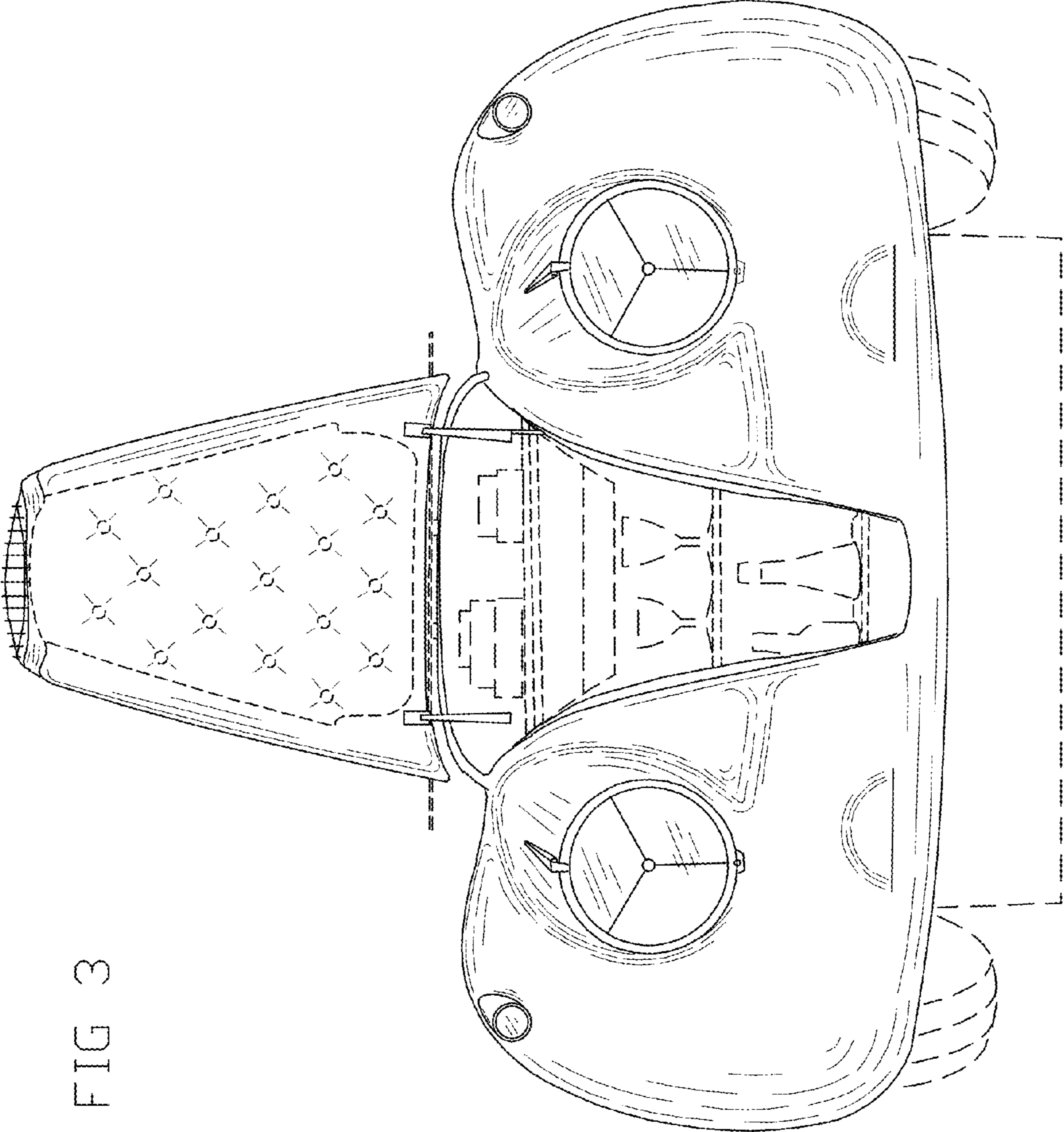


FIG 3

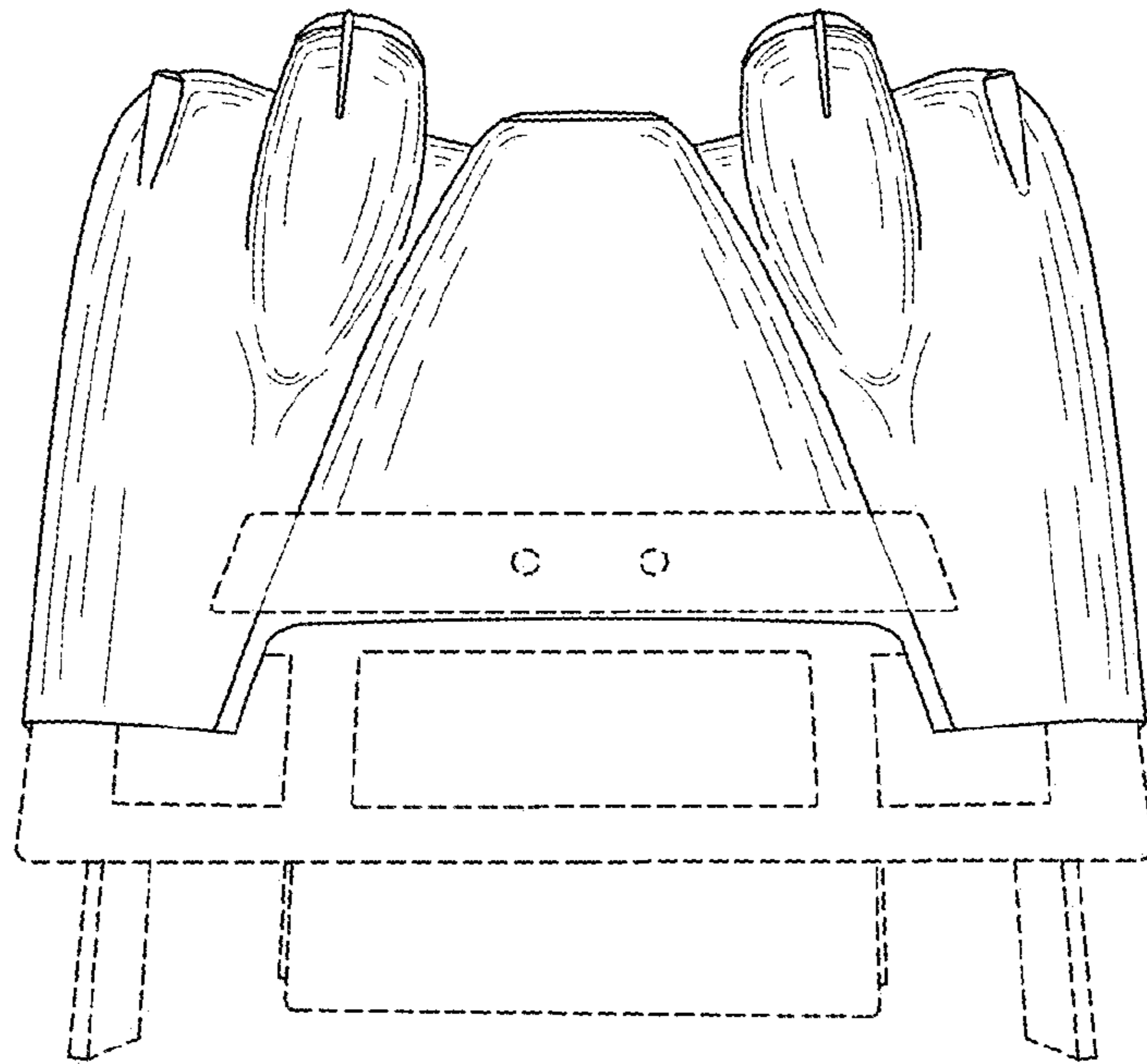


FIG 4

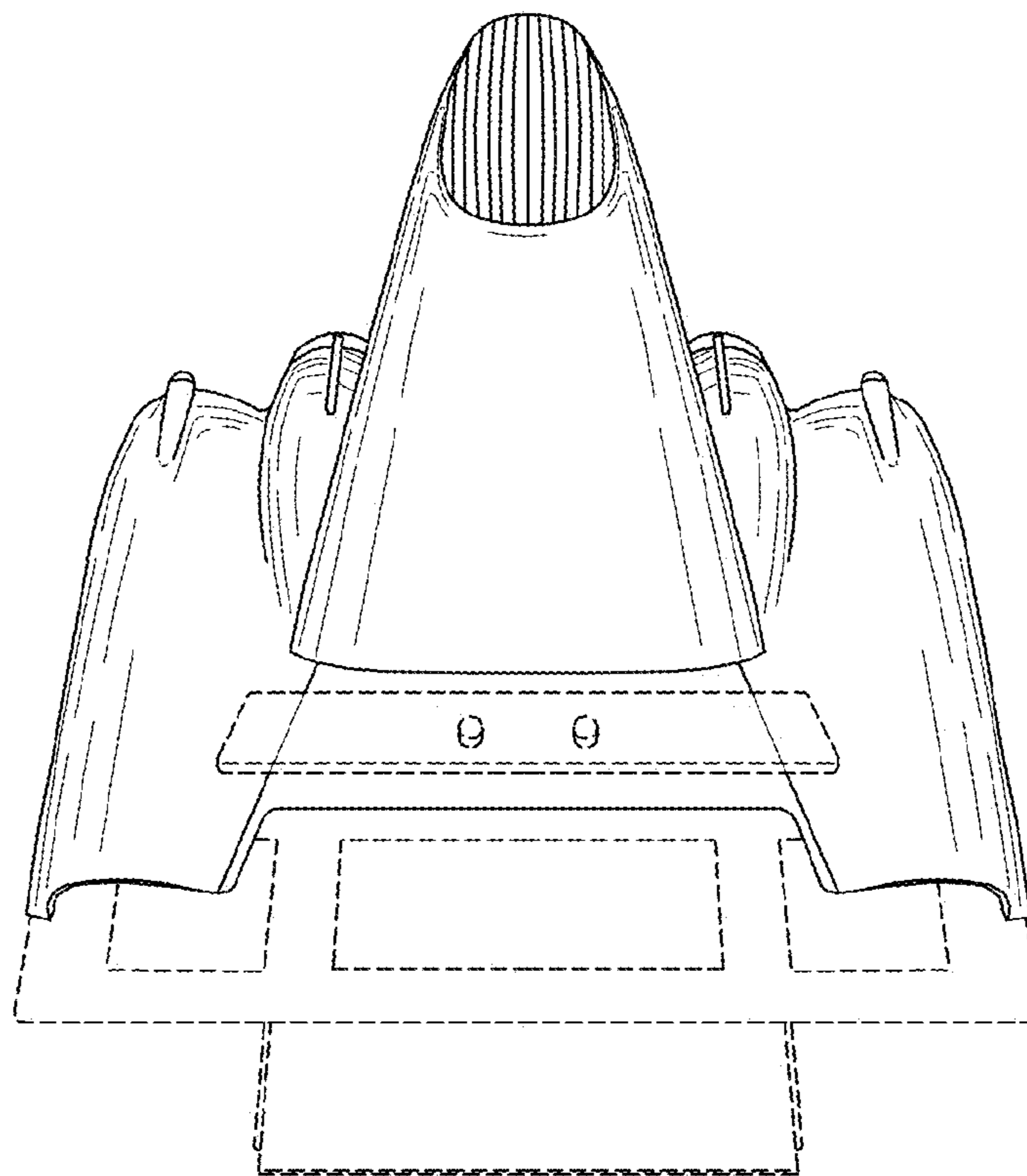


FIG 5

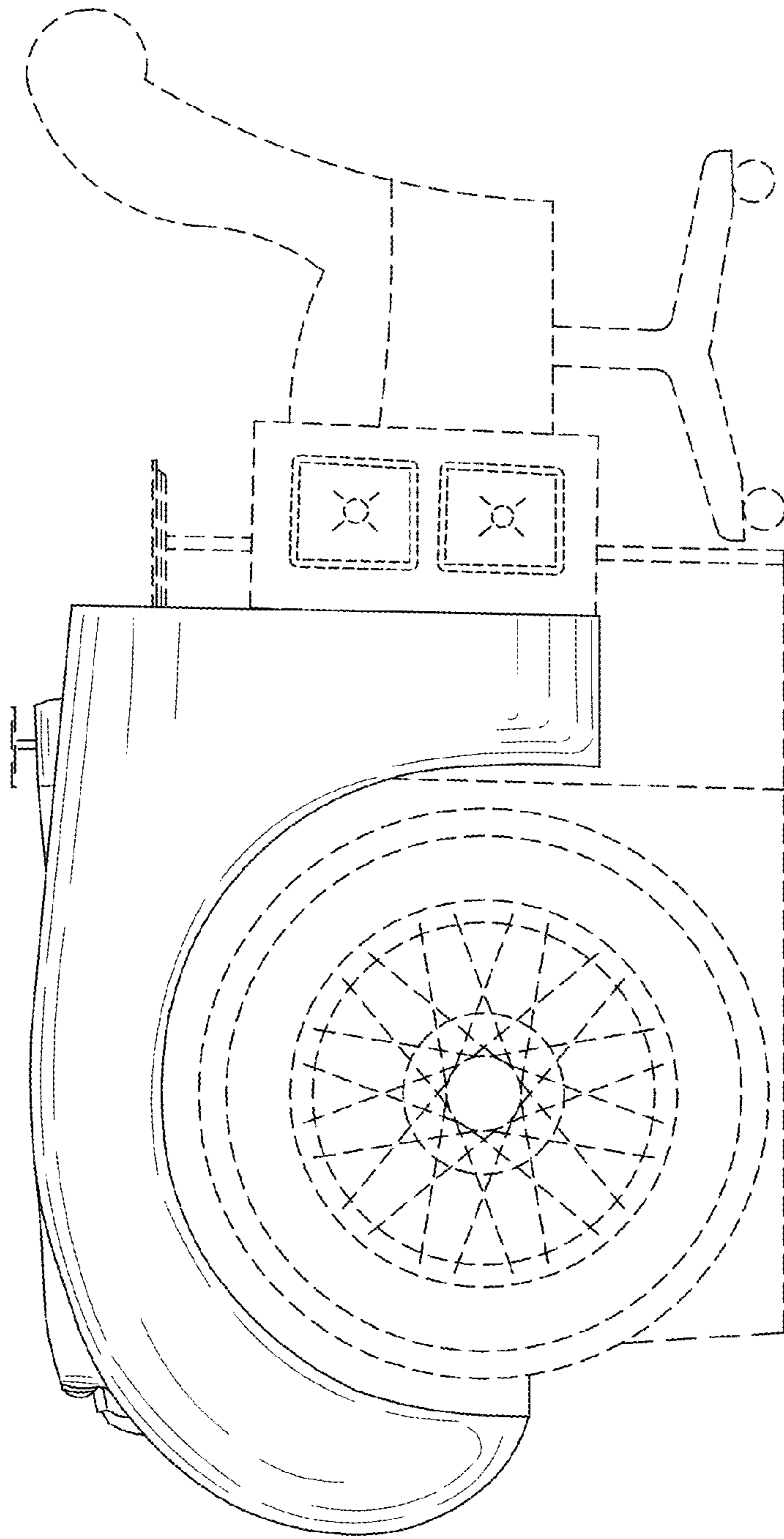


FIG 6

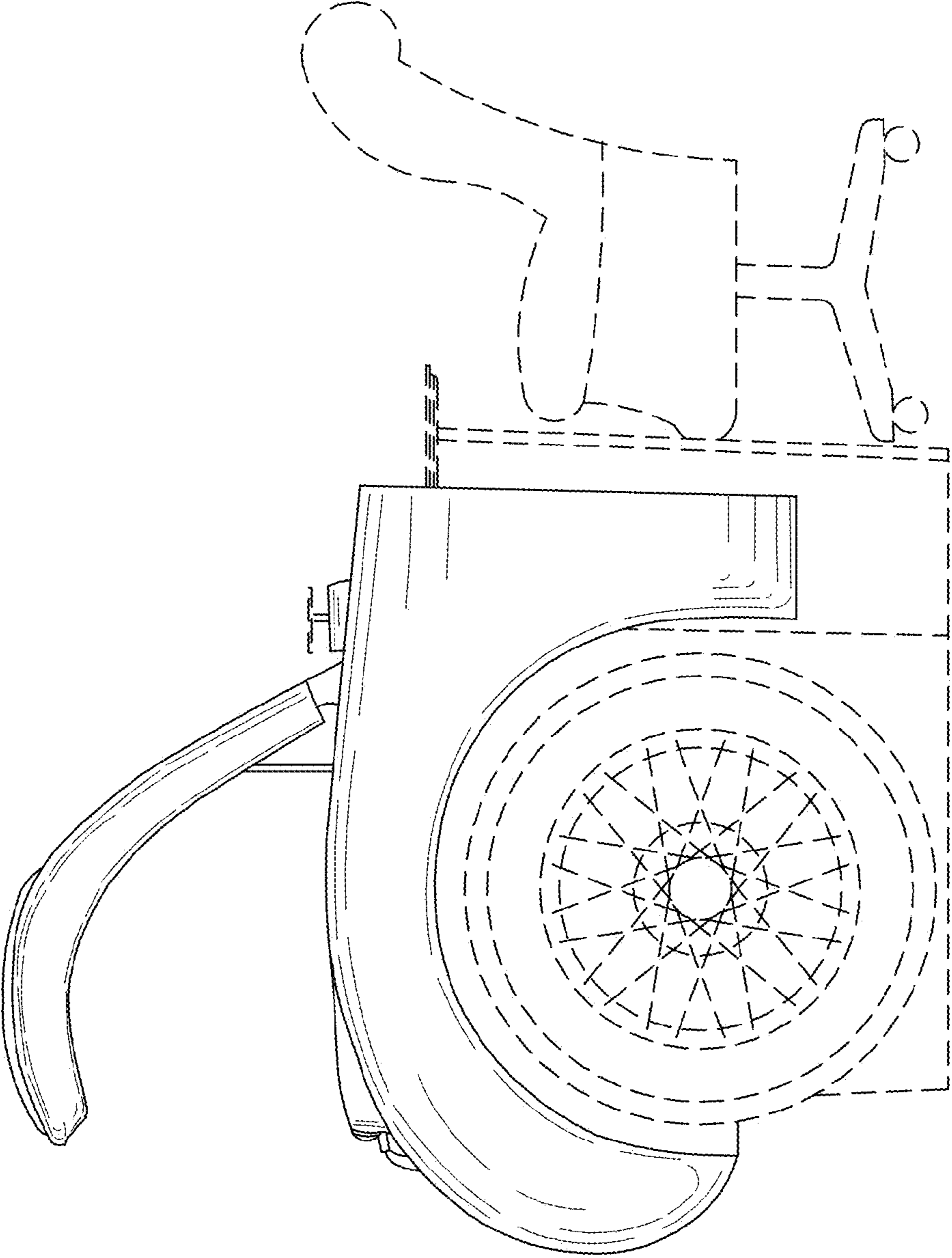


FIG 7

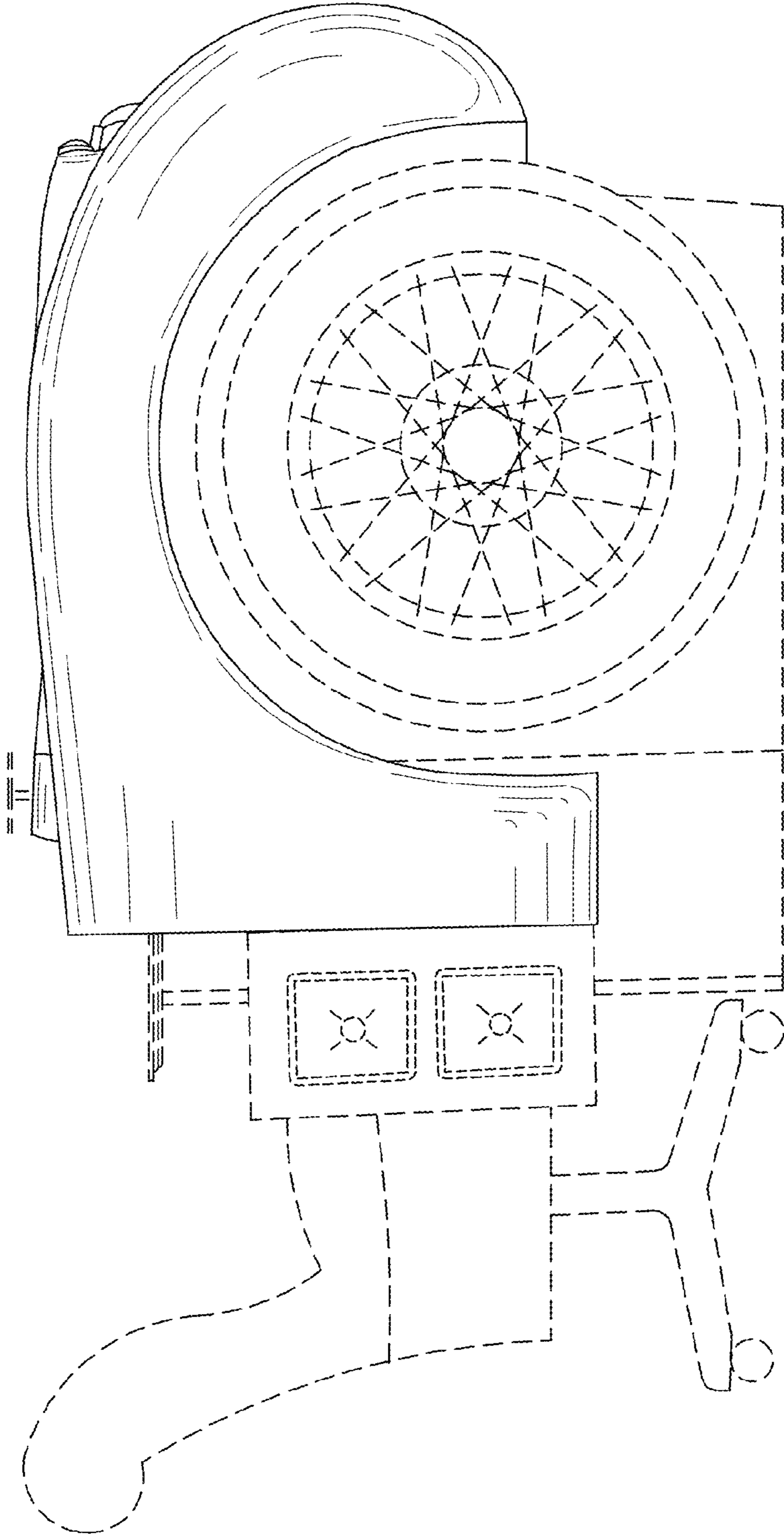


FIG 8

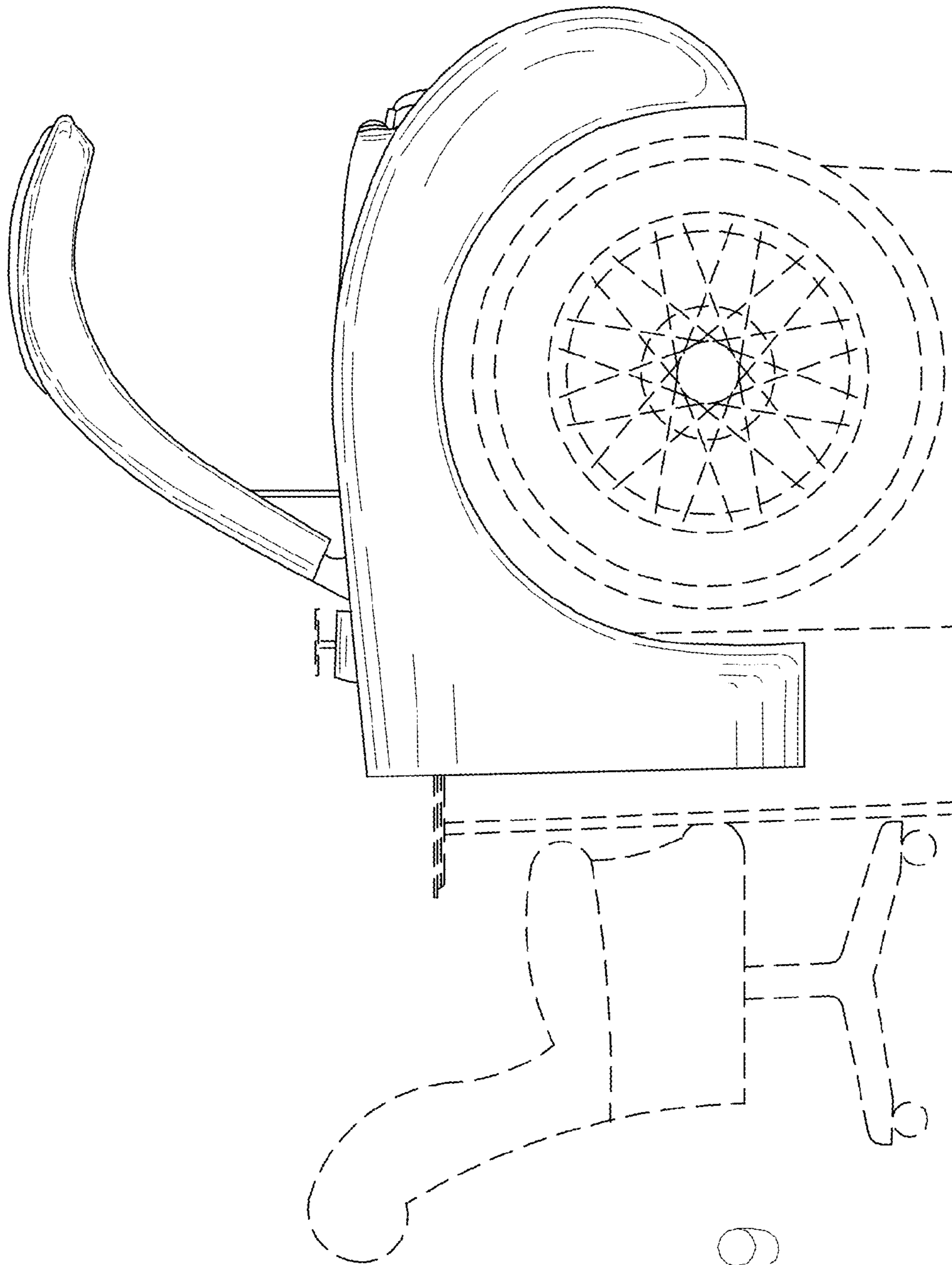


FIG 9

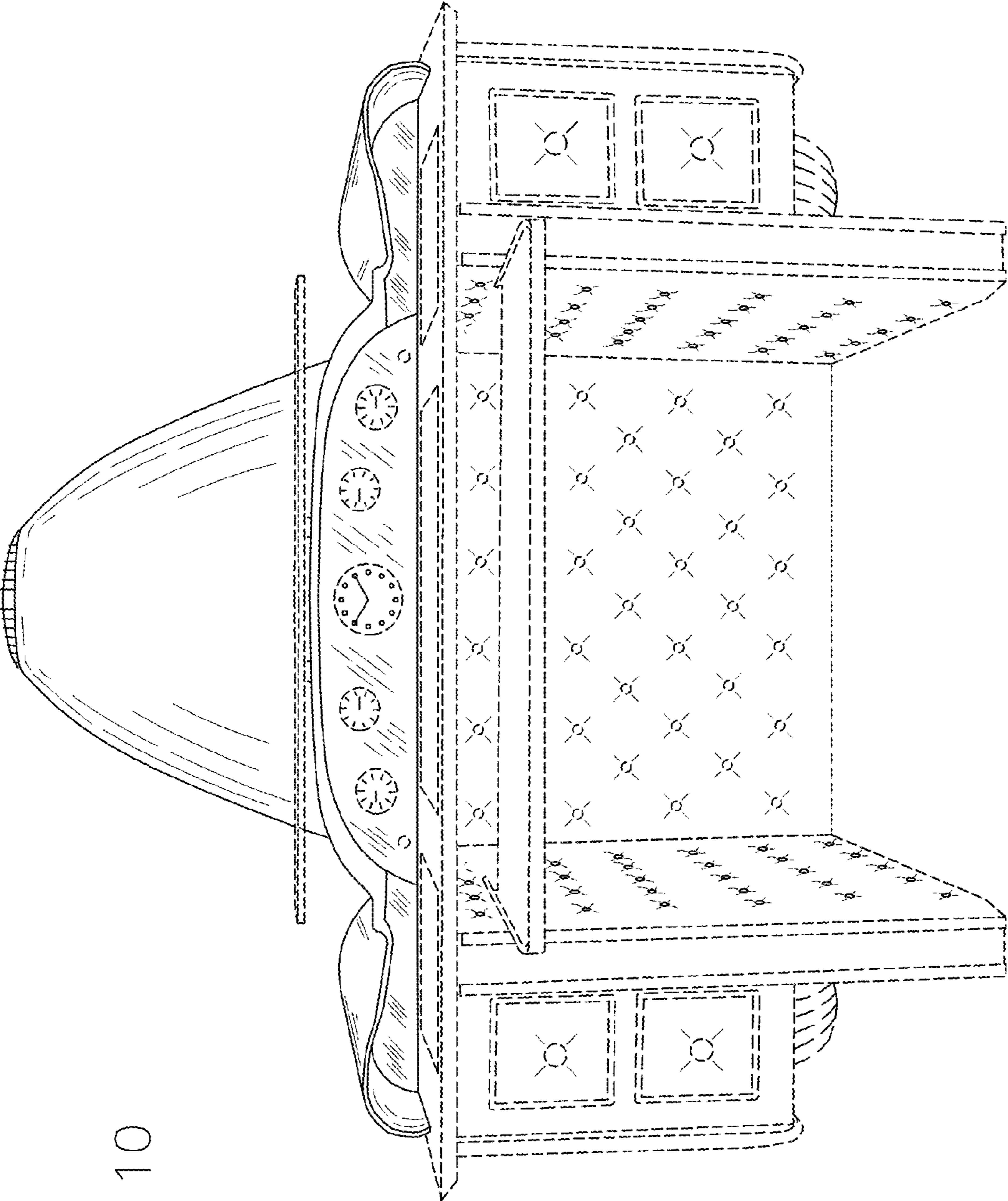


FIG 10

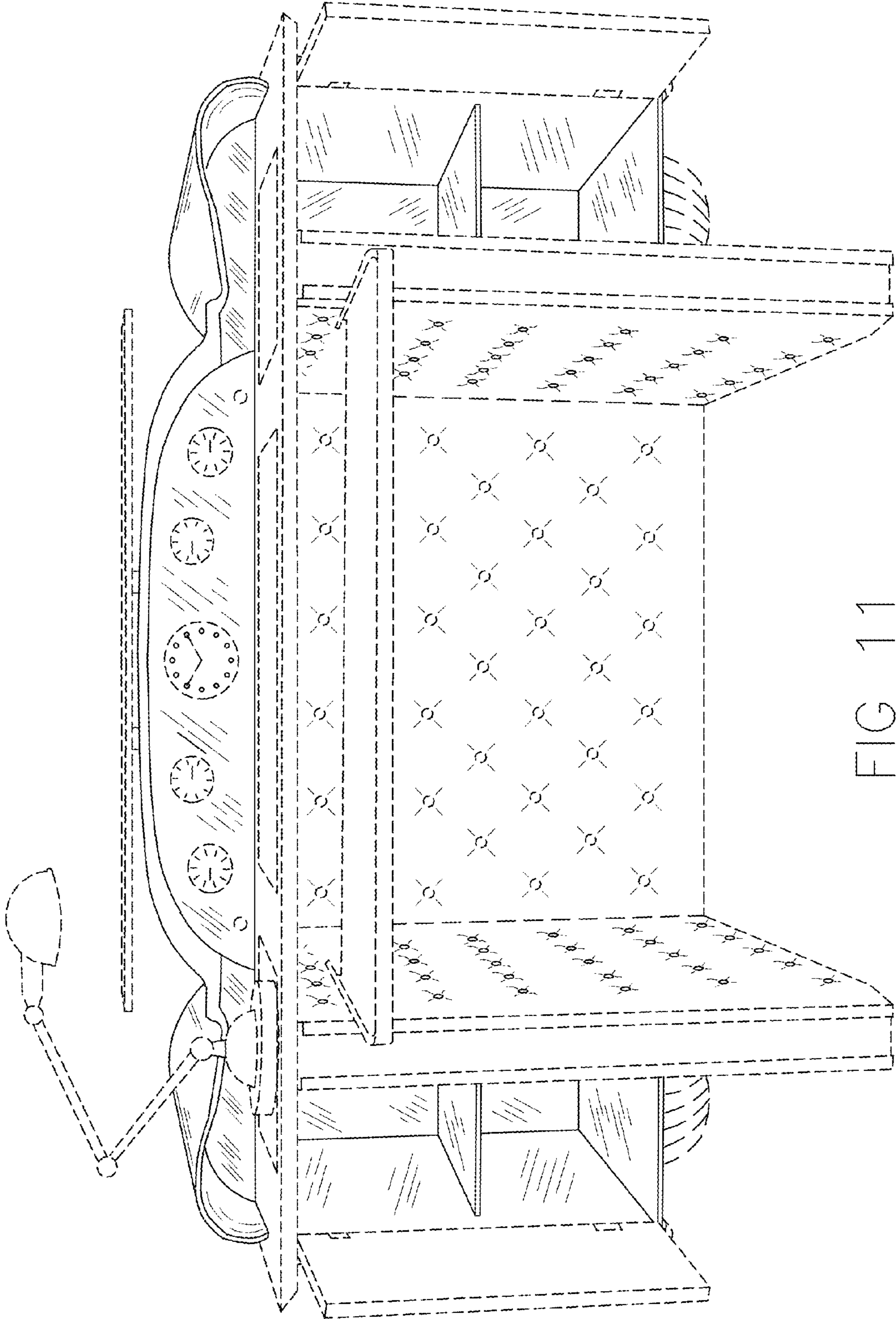


FIG 11

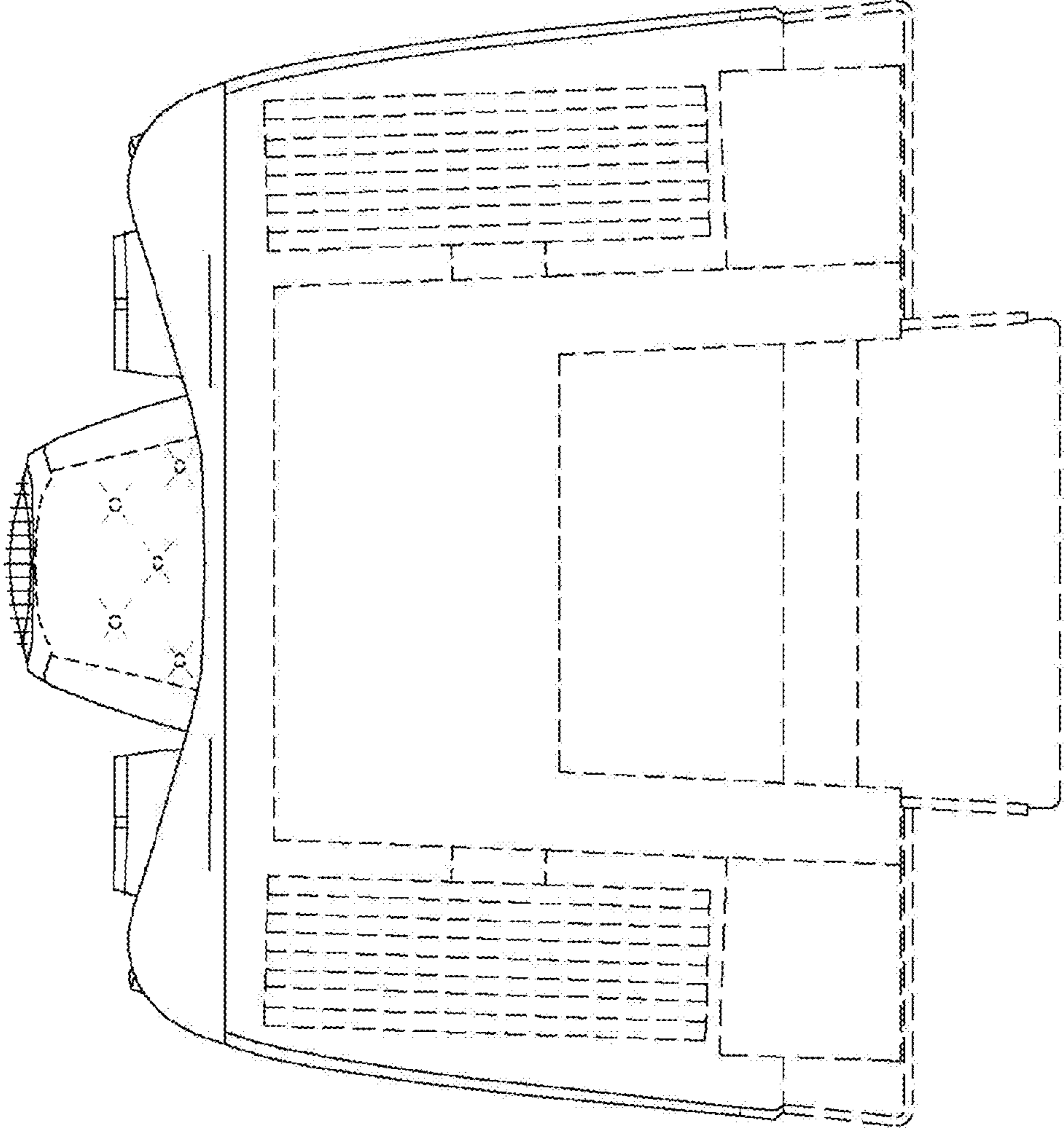


FIG 12

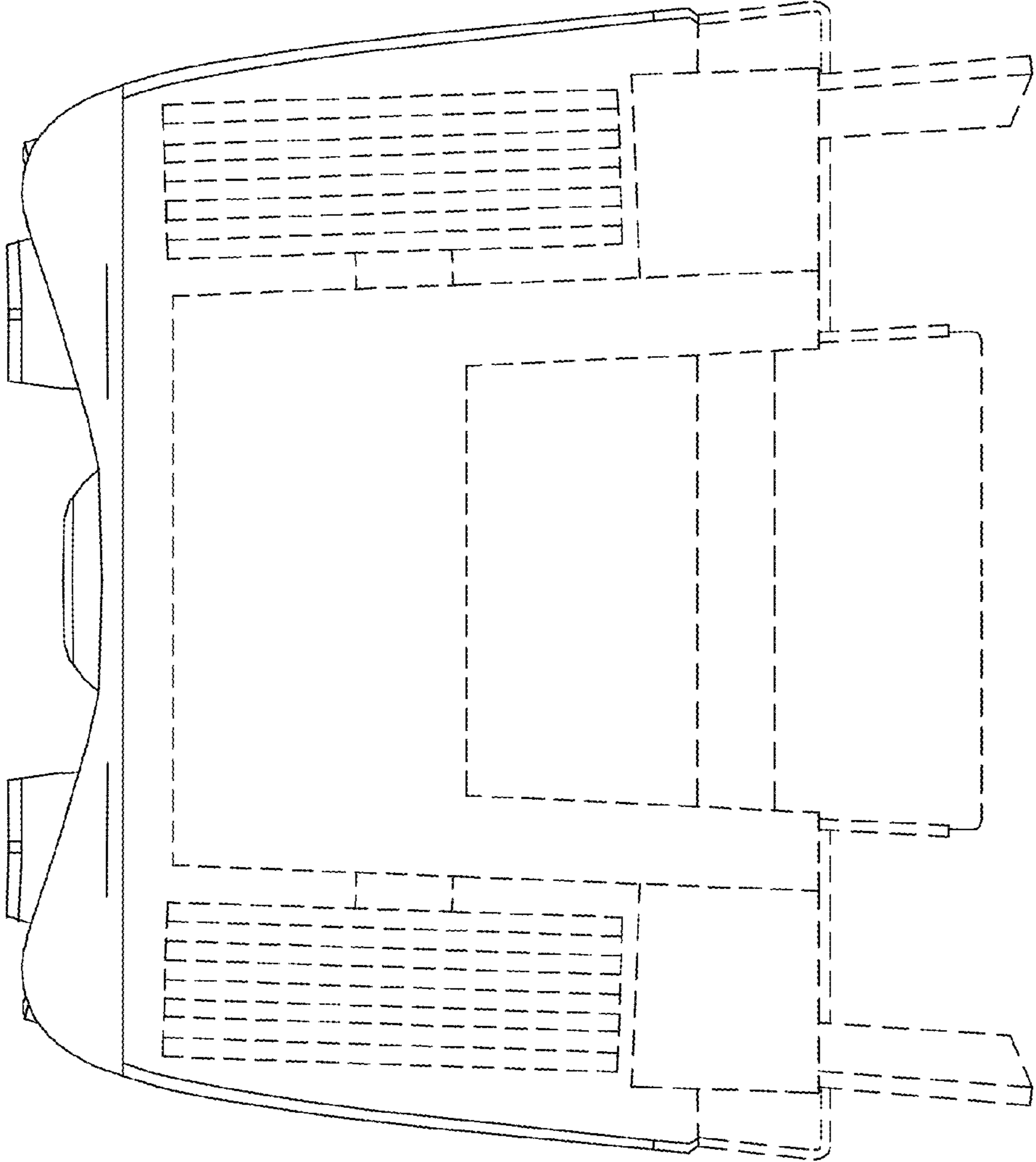


FIG 13