



US00D750397S

(12) **United States Design Patent**
Werner

(10) **Patent No.:** **US D750,397 S**
(45) **Date of Patent:** **** Mar. 1, 2016**

- (54) **PILLOW**
- (71) Applicant: **Werner Media Partners, LLC**, Davie, FL (US)
- (72) Inventor: **Marc L. Werner**, Davie, FL (US)
- (73) Assignee: **Werner Media Partners, LLC**, Fort Lauderdale, FL (US)

5,857,460 A 1/1999 Popitz
 D474,364 S * 5/2003 Arcieri D6/601
 D634,960 S * 3/2011 Anson D6/601
 8,566,985 B2 * 10/2013 Kim A47G 9/109
 5/636
 8,677,531 B2 3/2014 Popitz
 2009/0139031 A1 * 6/2009 Davis A47G 9/10
 5/639
 2012/0180220 A1 7/2012 Popitz
 2015/0245967 A1 * 9/2015 Horng A47G 9/1081
 128/845
 2015/0283072 A1 10/2015 Popitz

(**) Term: **14 Years**

- (21) Appl. No.: **29/502,496**
- (22) Filed: **Sep. 17, 2014**
- (51) **LOC (10) Cl.** **06-09**
- (52) **U.S. Cl.**
USPC **D6/601**
- (58) **Field of Classification Search**
USPC D6/595-601, 604; D24/183; D21/803,
D21/804
CPC A47C 7/021; A47C 7/383; A47C 7/428;
A47C 7/546; A47C 16/00; A47C 20/00;
A47C 20/02; A47C 20/021; A47C 20/026;
A47C 20/027; A47G 9/10; A47G 9/1027;
A47G 9/1045; A47G 9/1054; A47G 9/1063;
A47G 9/1072; A47G 9/1081; A47G 9/109;
A47D 13/00
See application file for complete search history.

FOREIGN PATENT DOCUMENTS

WO 2010071899 A1 6/2010

* cited by examiner

Primary Examiner — Mary Ann Calabrese
(74) *Attorney, Agent, or Firm* — Assouline & Berlowe, P.A.;
Loren Donald Pearson

(57) **CLAIM**
I claim the ornamental design for a pillow, as shown and described.

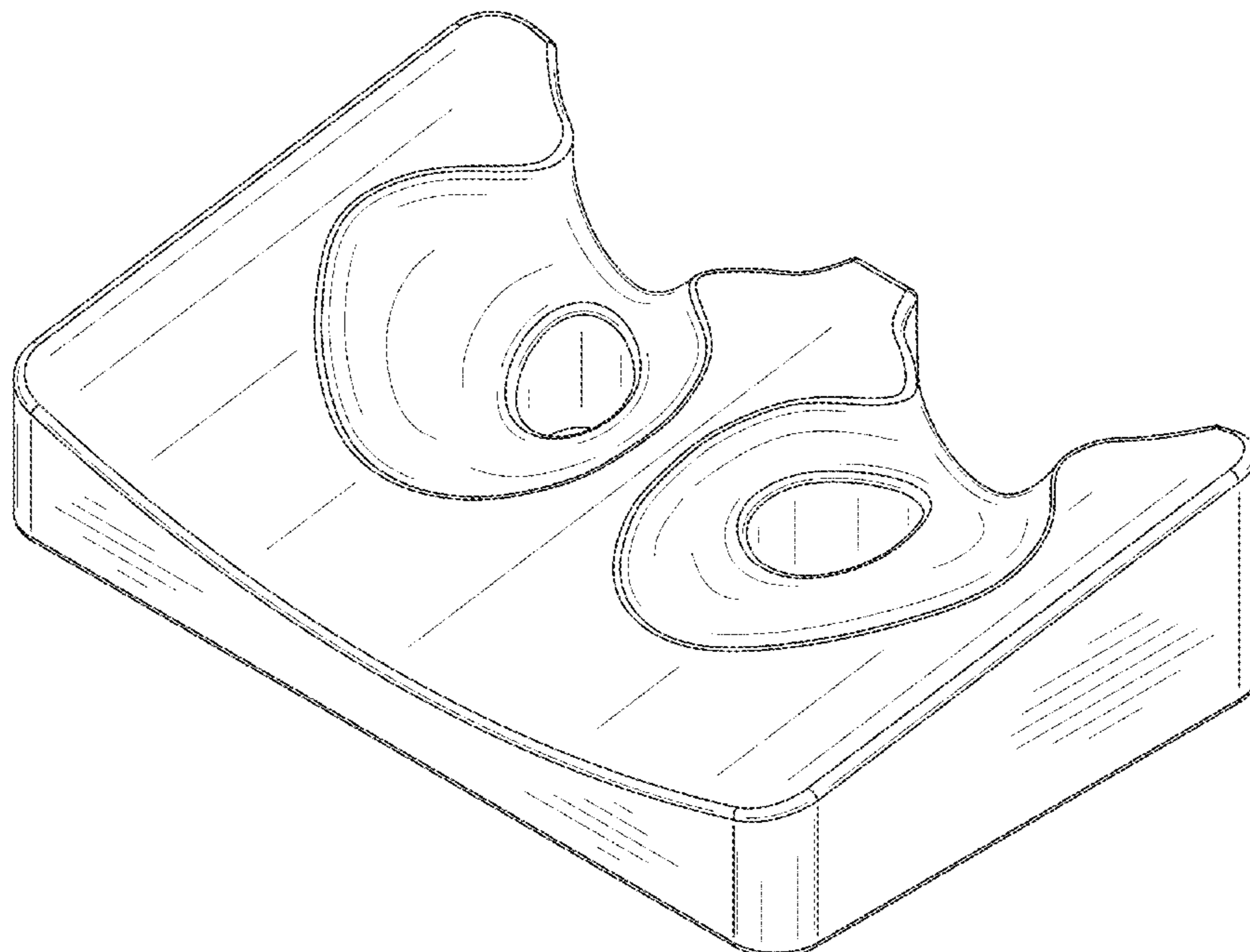
DESCRIPTION

FIG. 1 is a top, rear perspective view of the pillow.
FIG. 2 is a bottom, front perspective view thereof.
FIG. 3 is a rear side view thereof.
FIG. 4 is a front side view thereof.
FIG. 5 is a top side view thereof.
FIG. 6 is a bottom side view thereof; and,
FIG. 7 is right side view thereof, which is a mirror image of the left side view thereof that is not shown.

1 Claim, 6 Drawing Sheets

(56) **References Cited**
U.S. PATENT DOCUMENTS

4,918,774 A 4/1990 Popitz
5,048,136 A 9/1991 Popitz



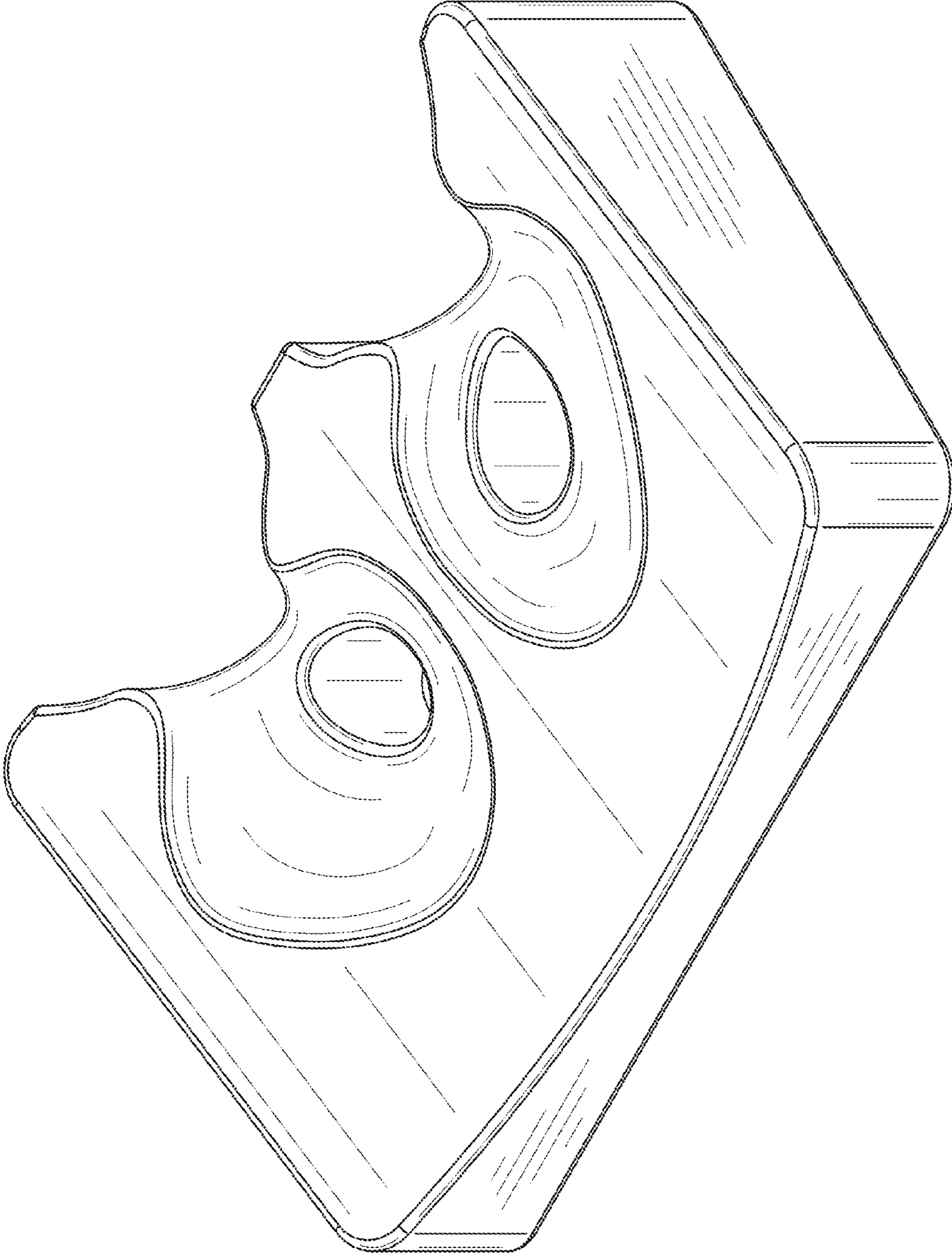


FIG. 1

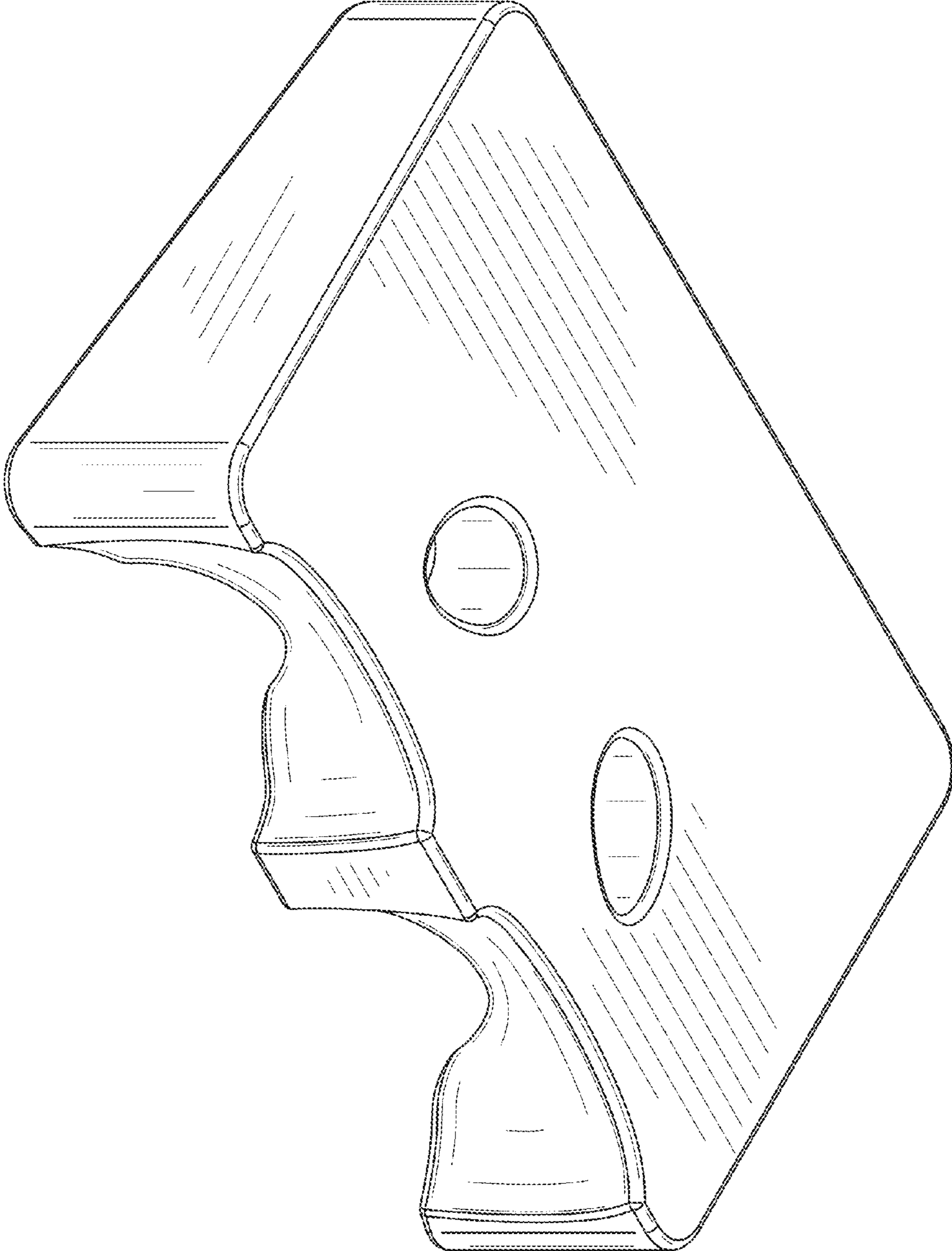


FIG. 2

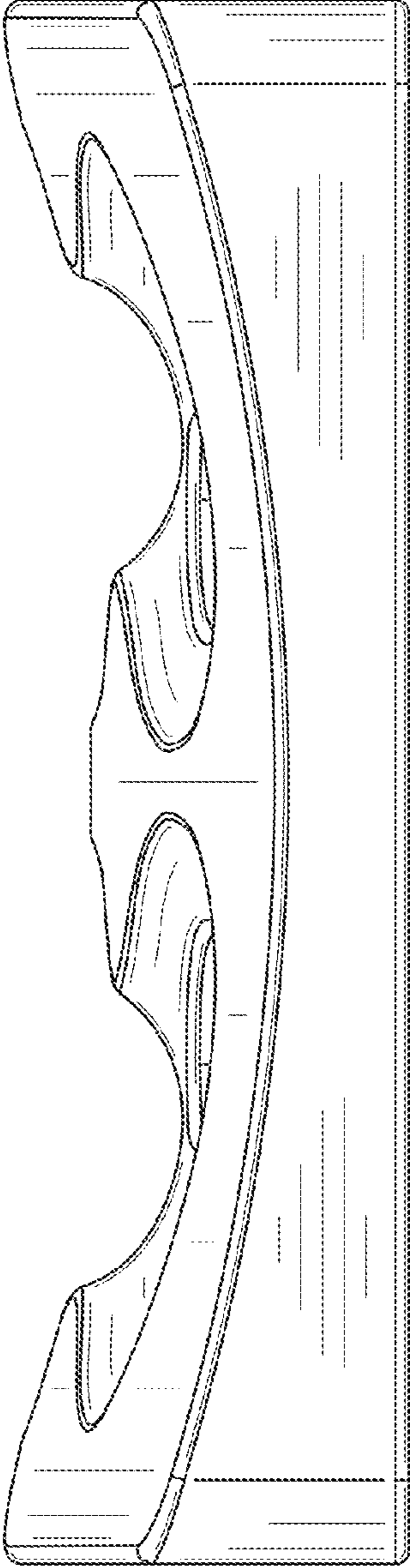


FIG. 3

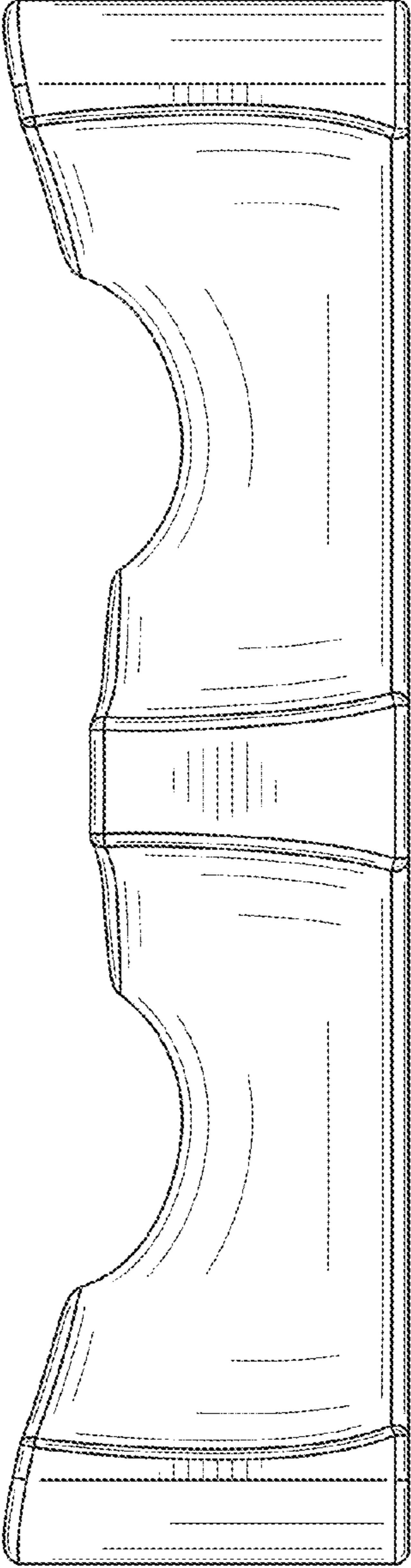


FIG. 4

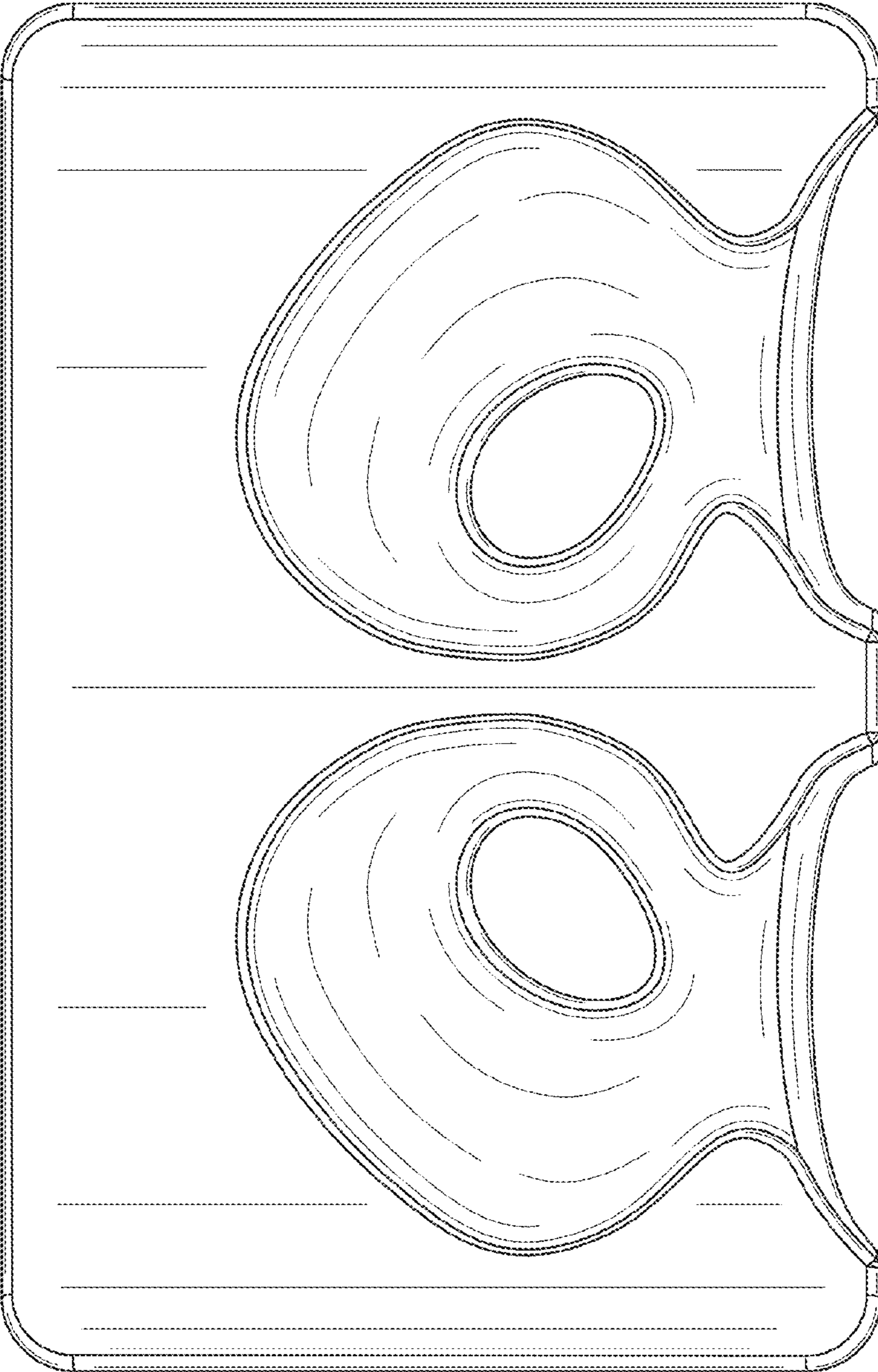


FIG. 5

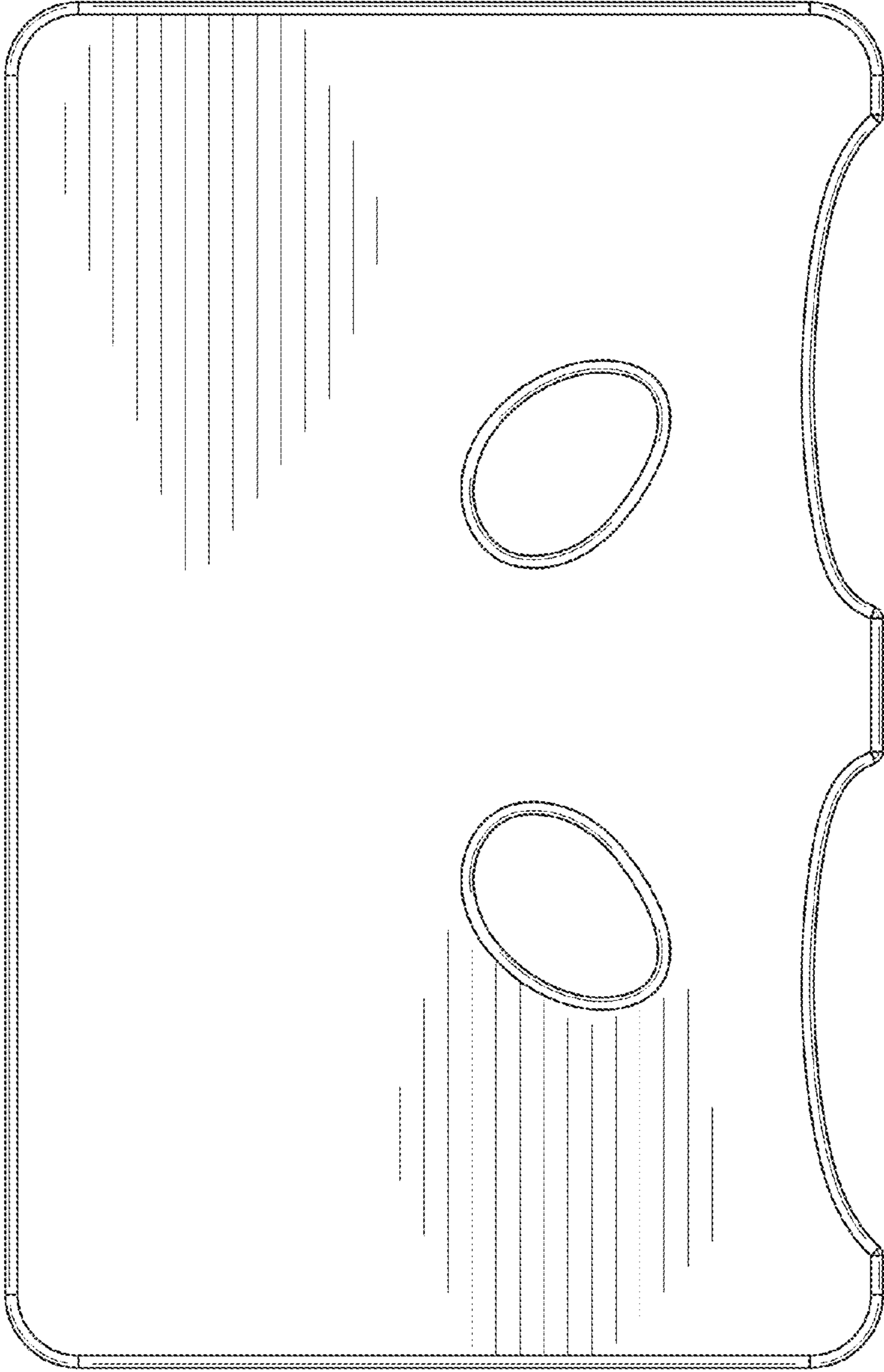


FIG. 6

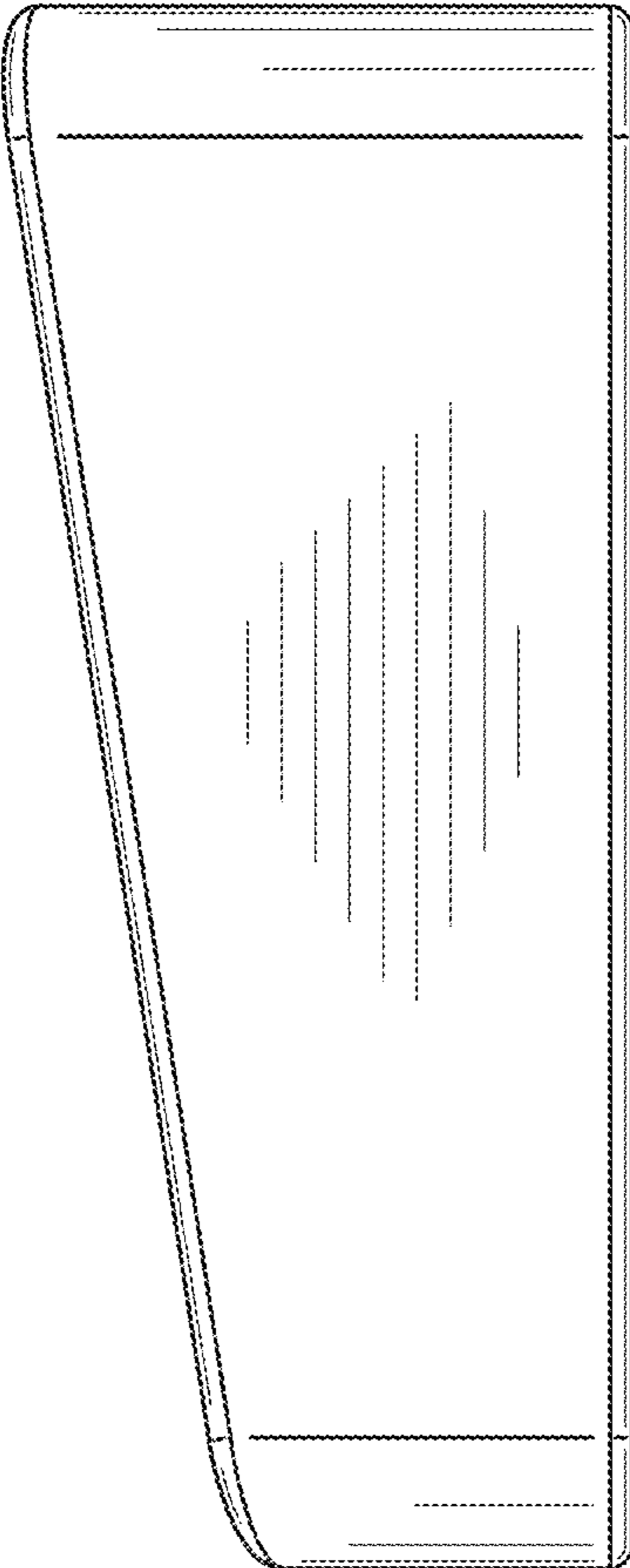


FIG. 7