



US00D750391S

(12) **United States Design Patent**  
**Lensing**

(10) **Patent No.:** **US D750,391 S**  
(45) **Date of Patent:** **\*\* Mar. 1, 2016**

(54) **STOOL WITH TRAY**

(56) **References Cited**

(71) Applicant: **Patrick Lensing**, Van Buren, AR (US)

U.S. PATENT DOCUMENTS

(72) Inventor: **Patrick Lensing**, Van Buren, AR (US)

(\*\*) Term: **14 Years**

(21) Appl. No.: **29/511,502**

(22) Filed: **Dec. 11, 2014**

2,780,277	A	2/1957	Ries et al.	155/94
3,917,203	A	11/1975	Heubeck et al.	248/158
D237,872	S *	12/1975	Miller	D34/18
4,632,410	A	12/1986	Bainbridge et al.	280/32.5
D353,058	S	12/1994	Dallas	D6/336
5,377,943	A	1/1995	Perl	248/188.7
5,707,067	A	1/1998	Smith	280/32.6
5,752,684	A	5/1998	Larkin	248/188.7
D410,128	S *	5/1999	Dallas	D34/23
6,105,719	A	8/2000	Lensing	182/116
D463,143	S *	9/2002	Riddle	D6/336
6,733,073	B2	5/2004	Whiteside et al.	297/188.08
D490,620	S *	6/2004	Delaney	D6/365
7,097,241	B2	8/2006	Tally et al.	297/118
D530,108	S *	10/2006	Whiteside	D6/349
D531,419	S	11/2006	Whiteside et al.	D6/352
D531,423	S *	11/2006	Whiteside	D6/367

**Related U.S. Application Data**

(63) Continuation-in-part of application No. 13/804,928, filed on Mar. 14, 2013, now Pat. No. 8,973,926.

(51) **LOC (10) Cl.** ..... **06-01**

(52) **U.S. Cl.**  
USPC ..... **D6/349; D6/336**

(58) **Field of Classification Search**

USPC ..... D6/333, 335, 336, 340, 344, 347,  
D6/349-355, 358, 360, 363-365, 381,  
D6/406.6, 596, 601, 648, 662.1, 675, 677,  
D6/685-687, 688.15, 688.27, 690, 691,  
D6/691.8, 692.1-692.3, 695.1, 708.16,  
D6/708.2, 709, 709.2, 709.22, 711,  
D6/716-716.7, 717; D34/14, 17, 8, 231

CPC ..... A47C 1/14; A47C 3/00; A47C 3/04;  
A47C 3/14; A47C 3/16; A47C 3/18; A47C  
3/20; A47C 3/36; A47C 4/00; A47C 4/28;  
A47C 4/30; A47C 4/38; A47C 4/42; A47C  
4/48; A47C 5/02; A47C 5/04; A47C 5/043;  
A47C 7/00-7/006; A47C 7/02; A47C 9/00;  
A47C 9/02; A47C 9/002; A47C 9/007;  
A47C 9/025; A47C 9/10; A47C 11/00;  
A47C 12/00; A47C 13/00; A47C 16/02;  
A47B 7/00-7/02; A47B 45/00; A47B  
47/04-47/045; A47B 3/00; A47B 3/02;  
A47B 3/04; A47B 3/12

See application file for complete search history.

(Continued)

*Primary Examiner* — Susan Bennett Hattan

*Assistant Examiner* — Vy Koenig

(74) *Attorney, Agent, or Firm* — Keisling & Pieper PLC;  
Trent C. Keisling

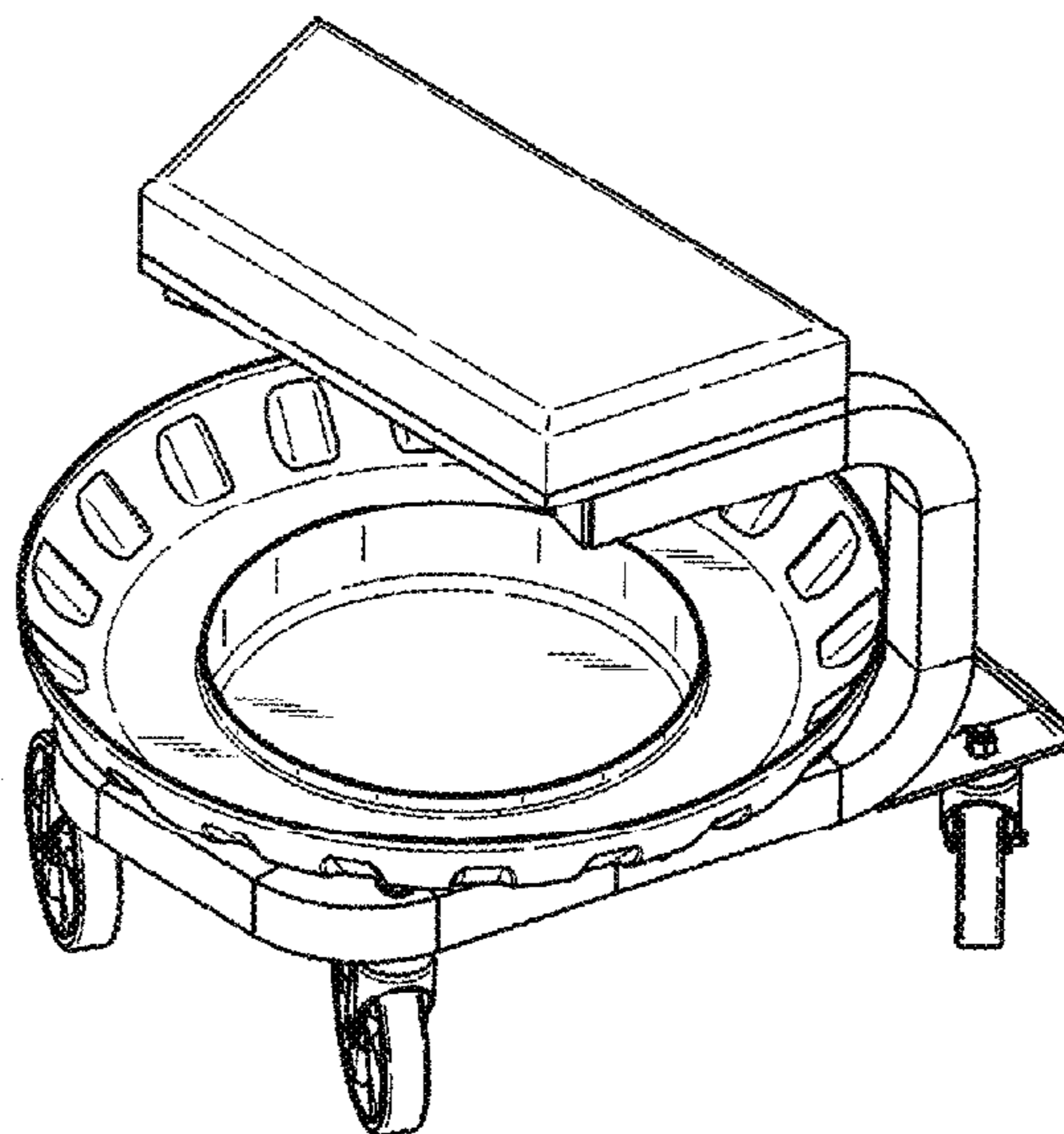
(57) **CLAIM**

The ornamental design for a stool with tray, as shown and described.

**DESCRIPTION**

FIG. 1 is a perspective view taken from the top right of a stool with tray showing my new design;  
FIG. 2 is perspective view taken from the bottom left thereof;  
FIG. 3 is a front elevational view thereof;  
FIG. 4 is a back elevational view thereof;  
FIG. 5 is a left elevational view thereof;  
FIG. 6 is a right elevational view thereof;  
FIG. 7 is a top plan view thereof; and,  
FIG. 8 is a bottom plan view thereof.

**1 Claim, 3 Drawing Sheets**



(56)

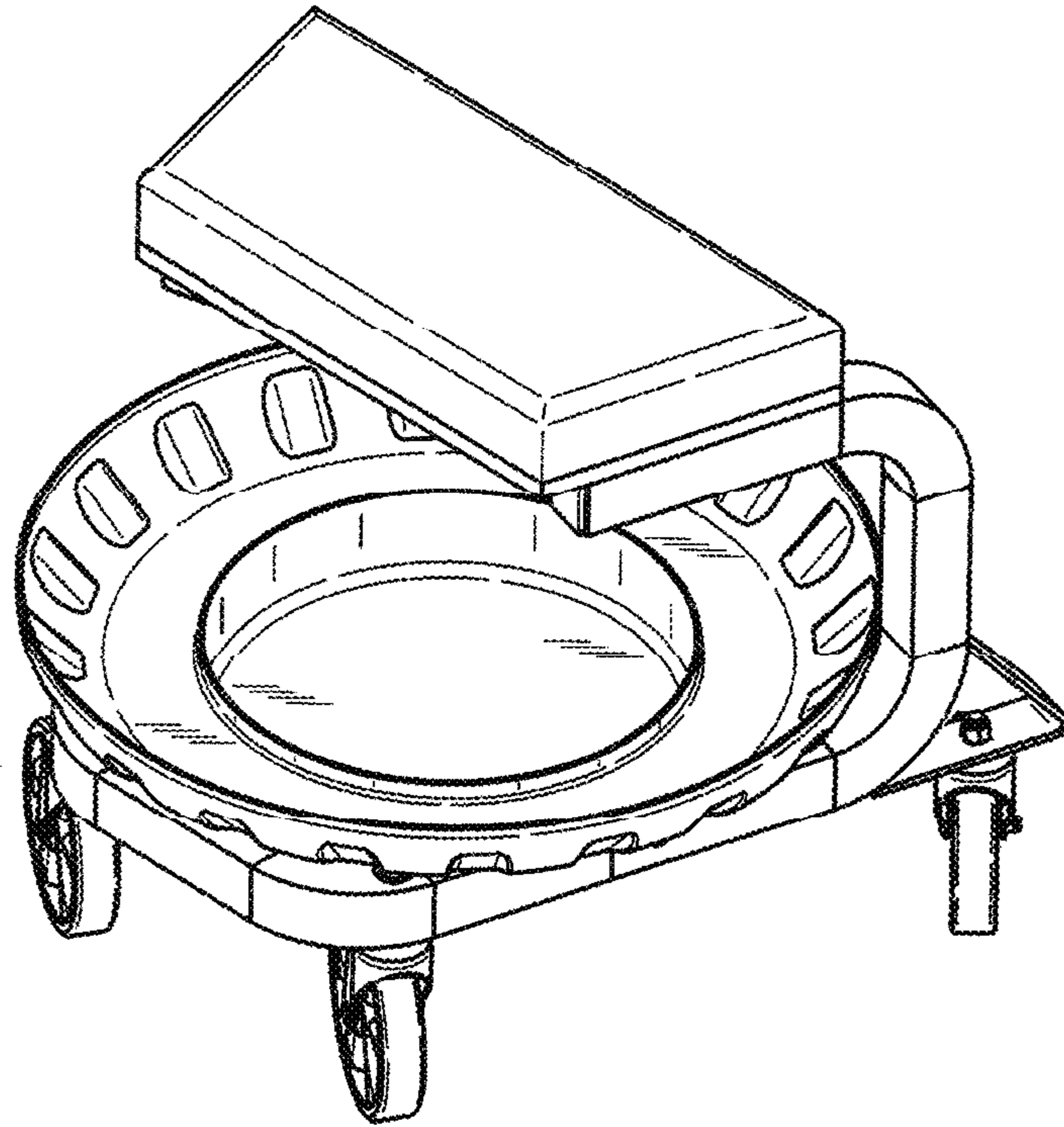
**References Cited**

U.S. PATENT DOCUMENTS

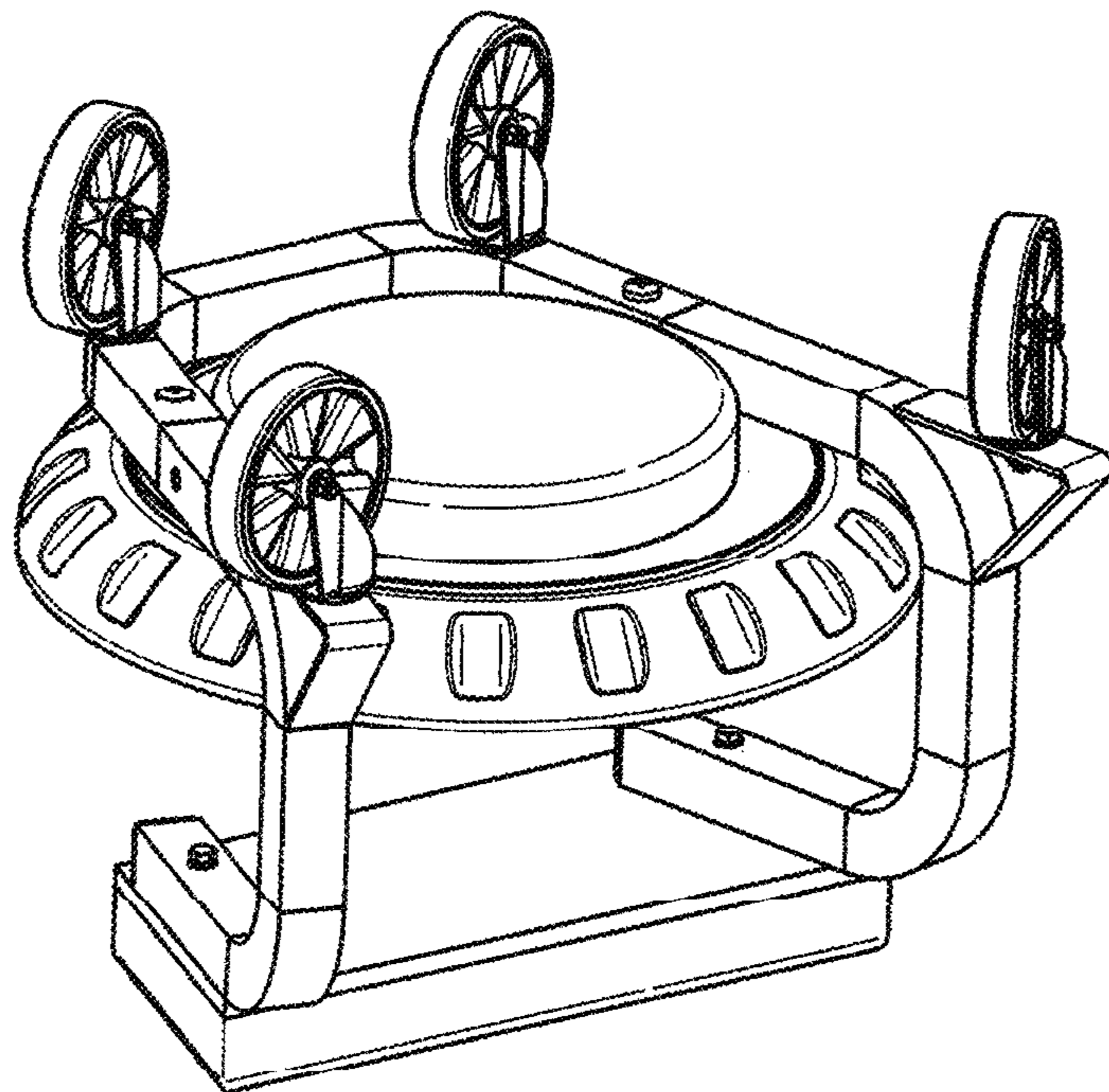
D555,920 S \* 11/2007 Whiteside ..... D6/349  
D579,679 S \* 11/2008 Qian ..... D6/349  
7,481,438 B2 1/2009 Hernandez ..... 280/32.6  
7,597,392 B1 10/2009 Gilmore ..... 297/217.1  
D608,558 S 1/2010 Rush ..... D6/367  
D660,540 S \* 5/2012 Thompson ..... D34/17

D689,723 S \* 9/2013 Corcorran ..... D6/708.23  
D690,143 S \* 9/2013 Corcorran ..... D6/708.23  
D701,717 S \* 4/2014 Whiteside ..... D6/708  
8,844,947 B1 \* 9/2014 Whiteside ..... B25H 5/00  
280/32.6  
8,973,926 B1 \* 3/2015 Lensing ..... A47C 9/00  
280/32.5  
2008/0067003 A1 \* 3/2008 Emge ..... A47C 12/02  
182/222

\* cited by examiner



*FIG. 1*



*FIG. 2*

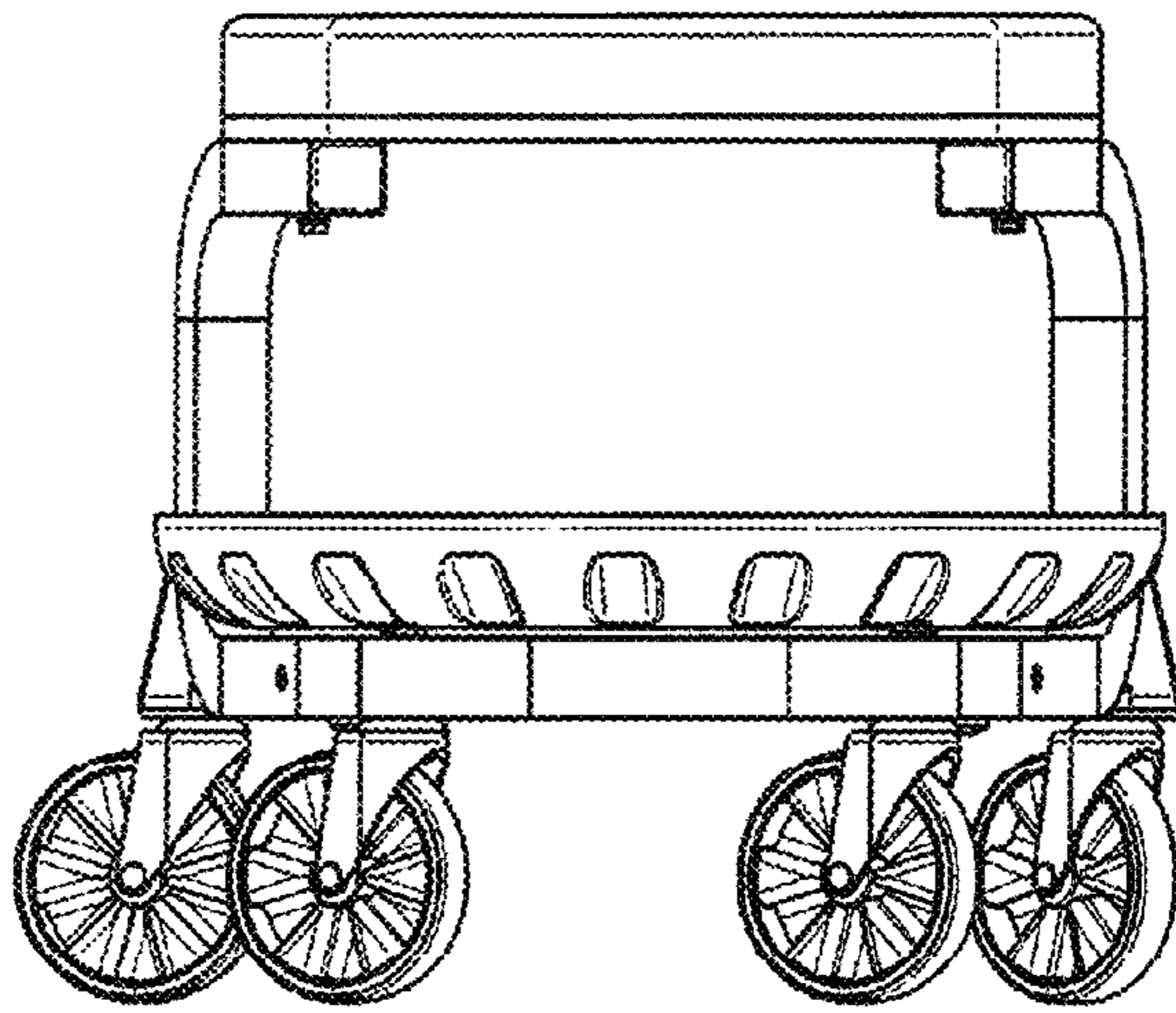


FIG. 3

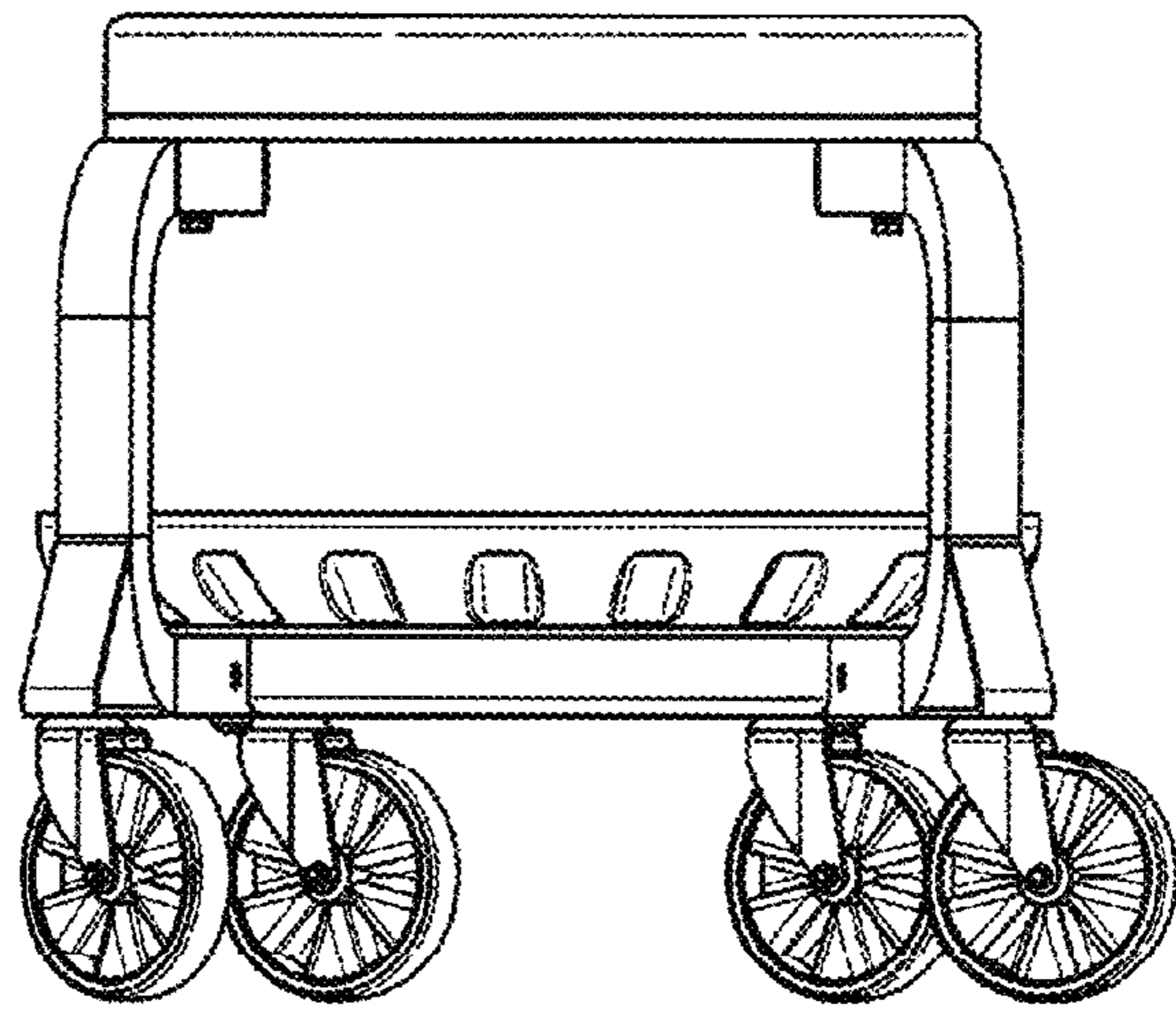


FIG. 4

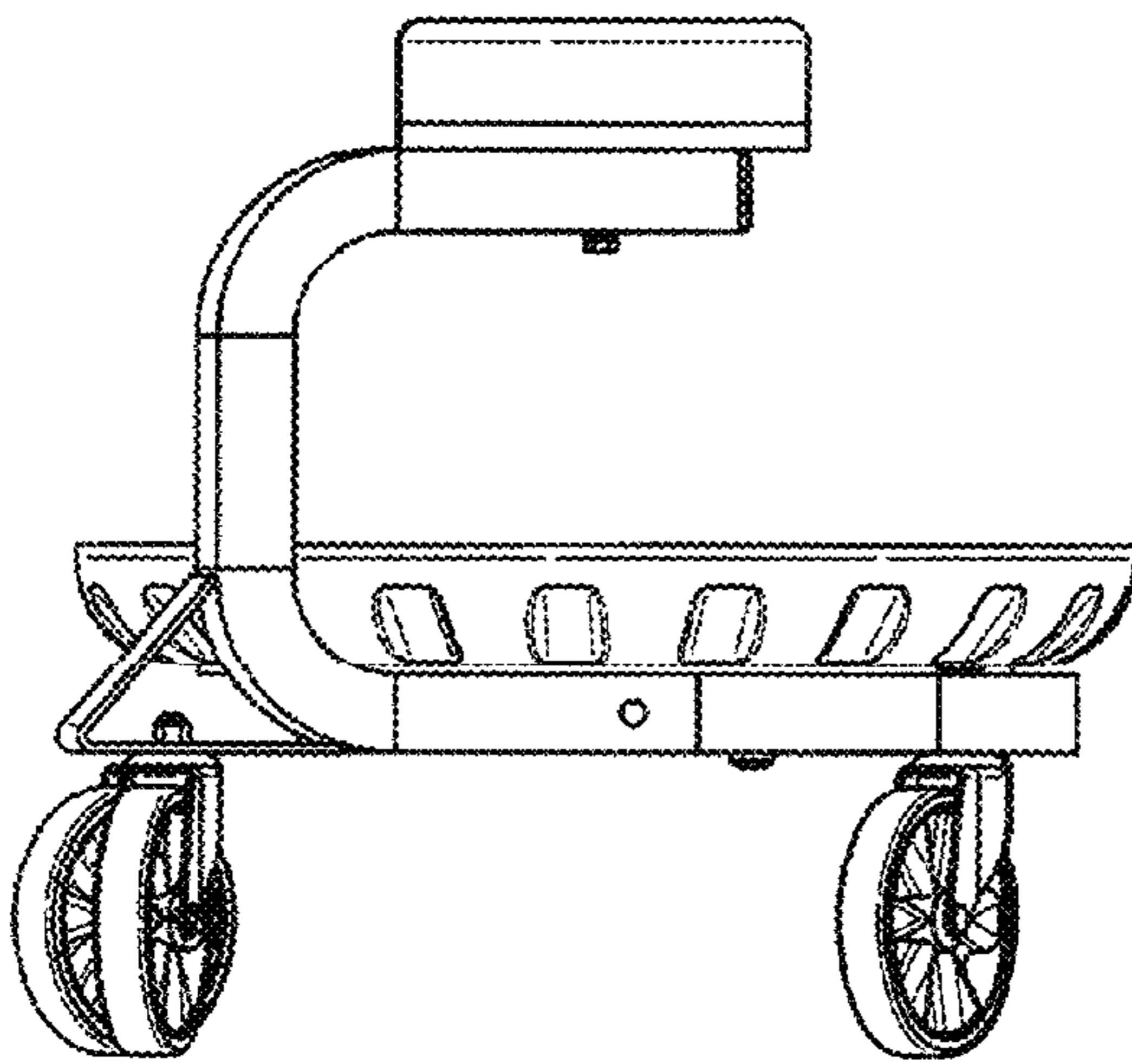


FIG. 5

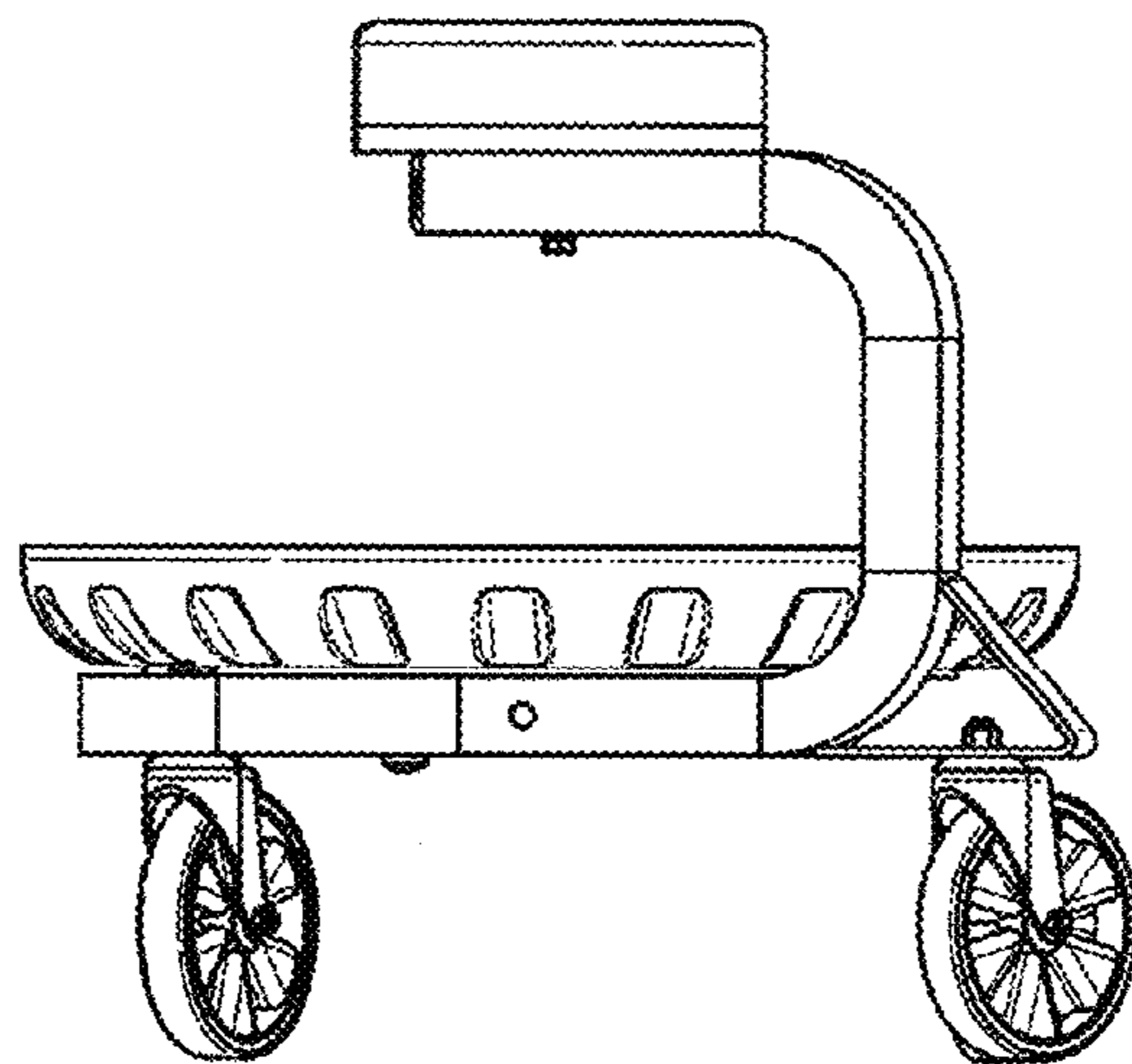
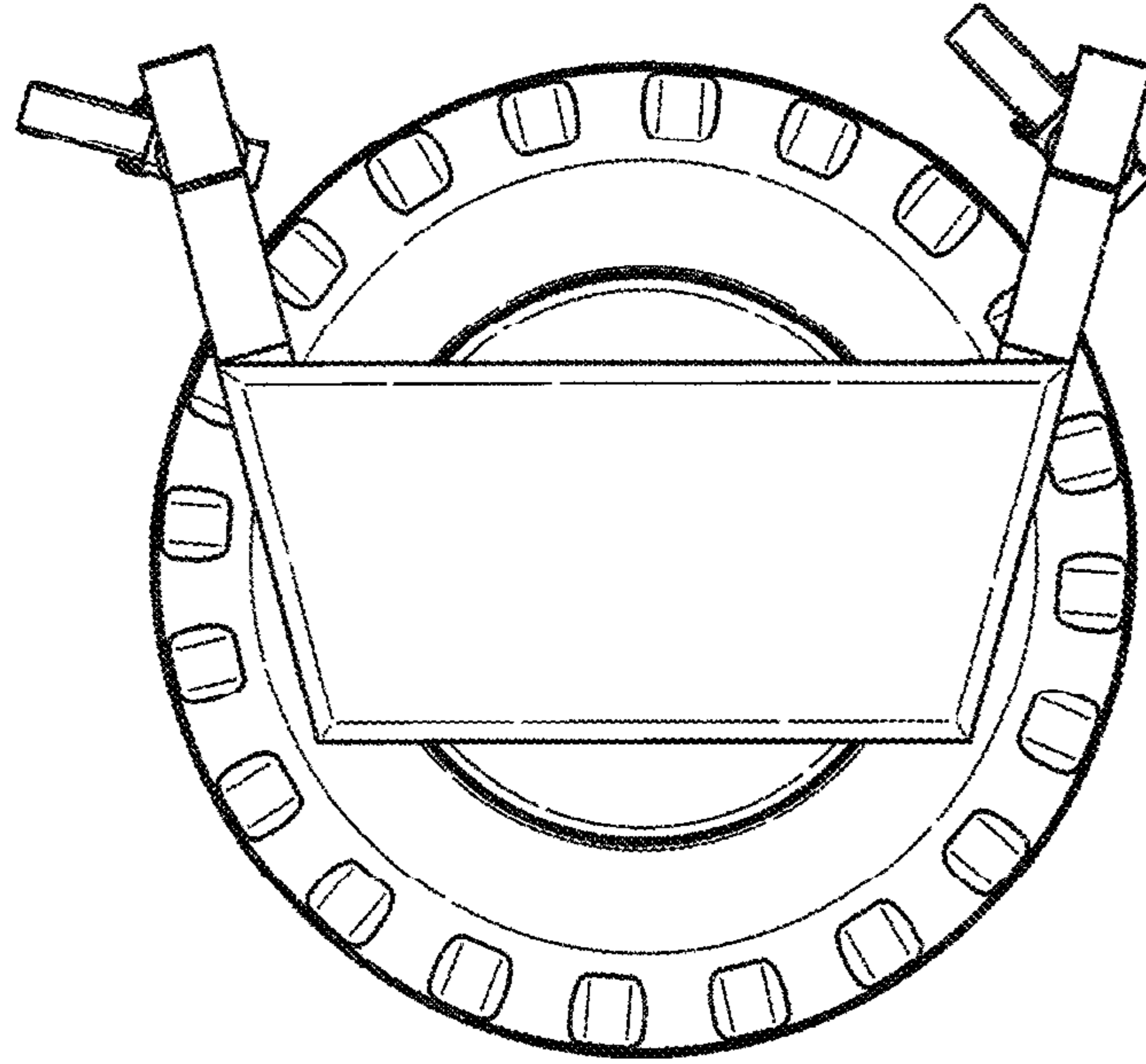
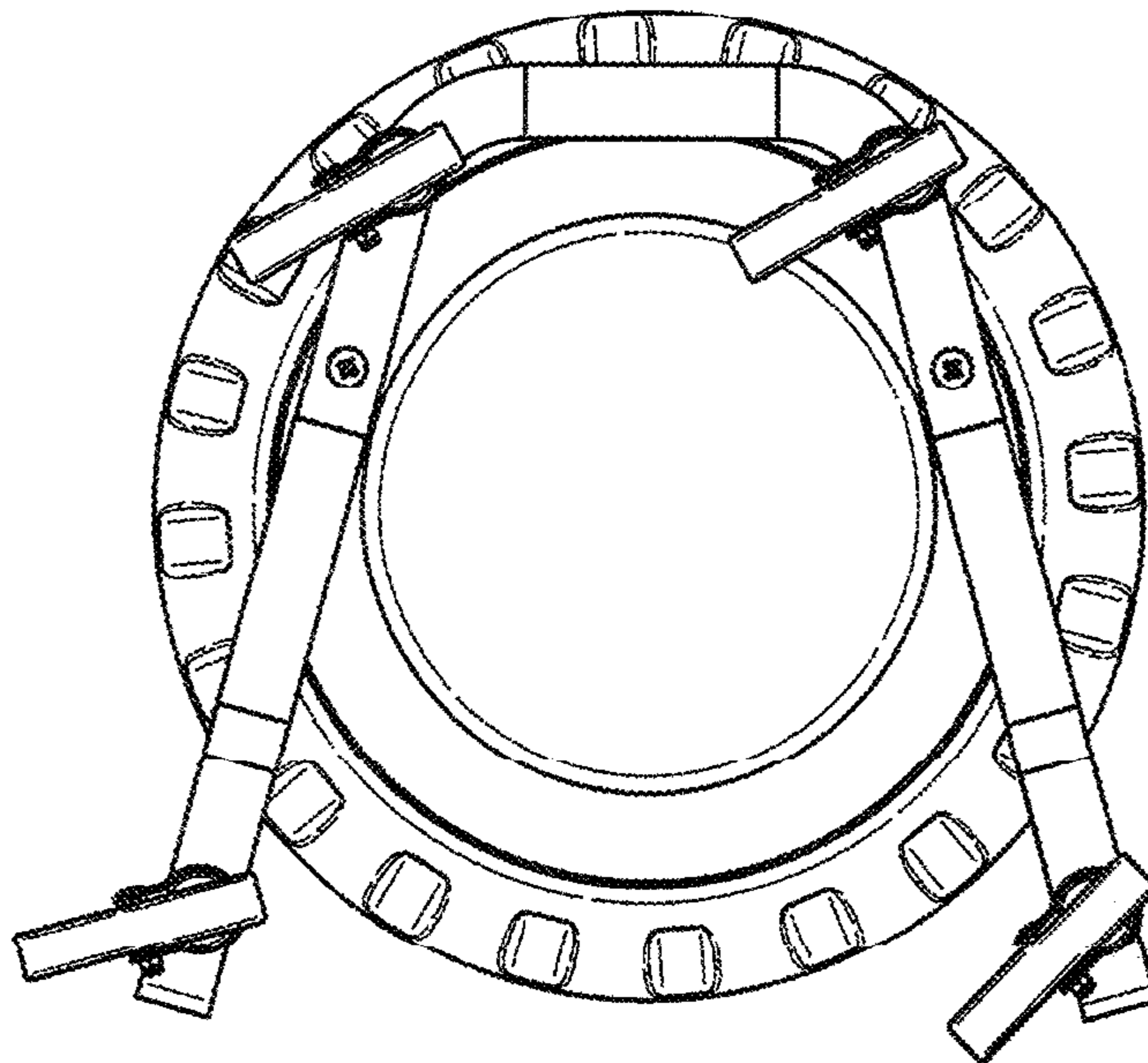


FIG. 6



*FIG. 7*



*FIG. 8*