



US00D750390S

(12) **United States Design Patent**  
**Bahler**

(10) **Patent No.:** **US D750,390 S**  
(45) **Date of Patent:** **\*\* Mar. 1, 2016**

(54) **ROBE HOOK**

(71) Applicant: **Delta Faucet Company**, Indianapolis, IN (US)

(72) Inventor: **Jordan Renee Bahler**, Frankfort, IN (US)

(73) Assignee: **DELTA FAUCET COMPANY**, Indianapolis, IN (US)

(\*\*) Term: **14 Years**

(21) Appl. No.: **29/514,060**

(22) Filed: **Jan. 8, 2015**

(51) **LOC (10) Cl.** ..... **06-08**

(52) **U.S. Cl.**  
USPC ..... **D6/323; D8/372**

(58) **Field of Classification Search**  
USPC ..... D6/315-328, 681.3; 223/85-98; 211/1, 211/13.1, 32, 85.3, 113; D8/367, 370, 371, D8/372, 373, 380; 248/211, 215, 227.1, 248/227.2, 251, 253, 255, 256, 257, 258, 248/259, 301, 304, 323, 324, 339, 690  
CPC ..... A47G 25/32; A47G 25/28; A47G 25/743; A47G 25/746; A47G 29/083; A47G 25/06; A47G 25/0607; A47G 25/10; A47G 25/38; A47G 29/08; A47G 1/17; A47G 7/044; A47G 29/00

See application file for complete search history.

(56) **References Cited**

U.S. PATENT DOCUMENTS

1,716,826 A *	6/1929	Masten .....	E04H 15/32 248/227.3
D330,636 S *	11/1992	Sharpe .....	D6/323
D442,056 S *	5/2001	Duggan .....	D8/323
D499,256 S *	12/2004	Fraser .....	D6/323
D547,956 S *	8/2007	Williams .....	D6/323
D550,546 S *	9/2007	Sato .....	D8/373
D574,224 S *	8/2008	Zhang .....	D8/372
D741,694 S *	10/2015	Bahler .....	D8/372

\* cited by examiner

*Primary Examiner* — Derrick Holland

*Assistant Examiner* — Lauren Calve

(74) *Attorney, Agent, or Firm* — Edgar A. Zarins; Nirav D. Parikh

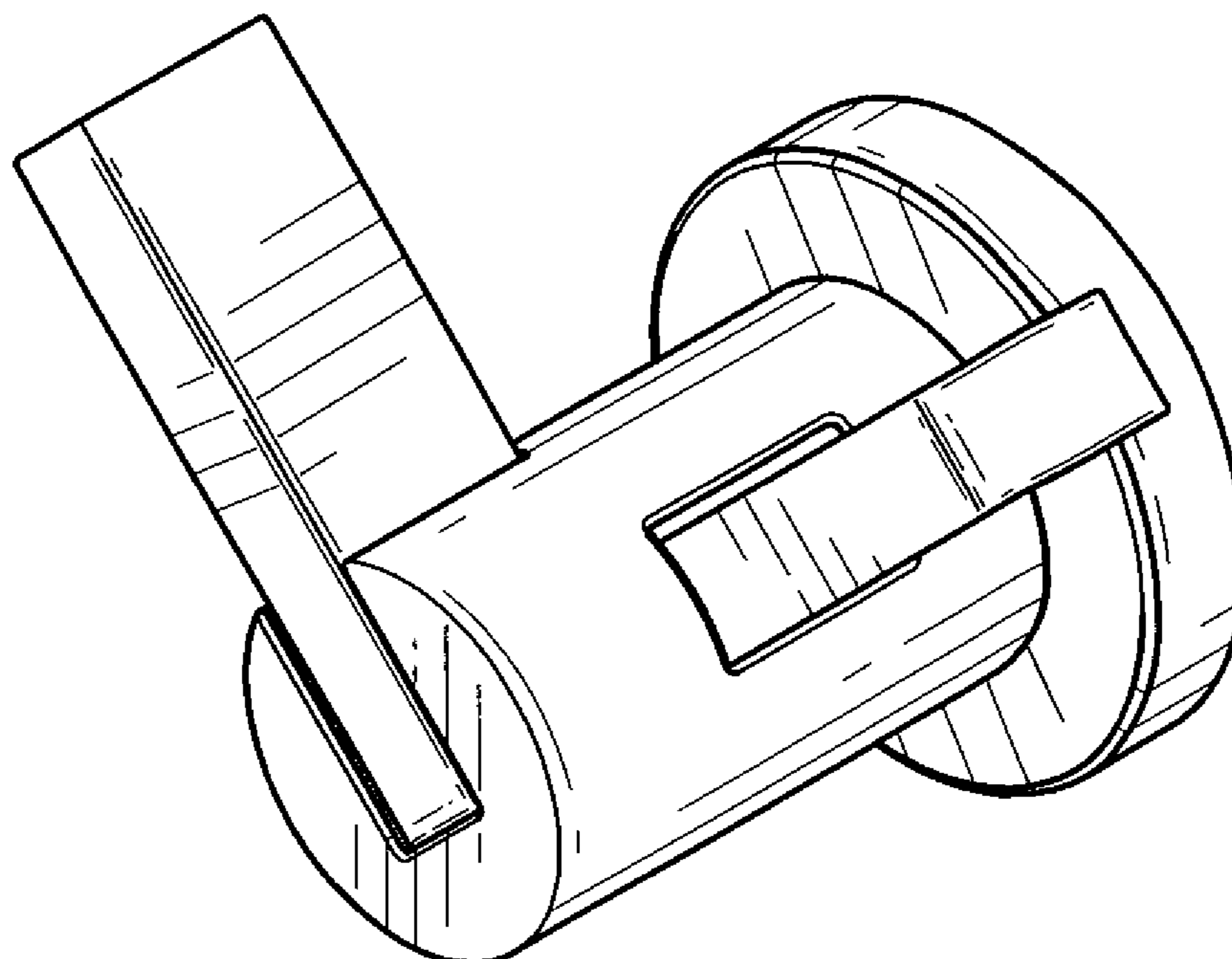
(57) **CLAIM**

The ornamental design for a robe hook, as shown and described.

**DESCRIPTION**

FIG. 1 is a perspective view of a robe hook showing my new design;  
FIG. 2 is a front elevational view thereof;  
FIG. 3 is a rear view thereof;  
FIG. 4 is a left side view thereof;  
FIG. 5 is a right side view thereof;  
FIG. 6 is a bottom view thereof; and,  
FIG. 7 is a top plan view thereof.

**1 Claim, 2 Drawing Sheets**



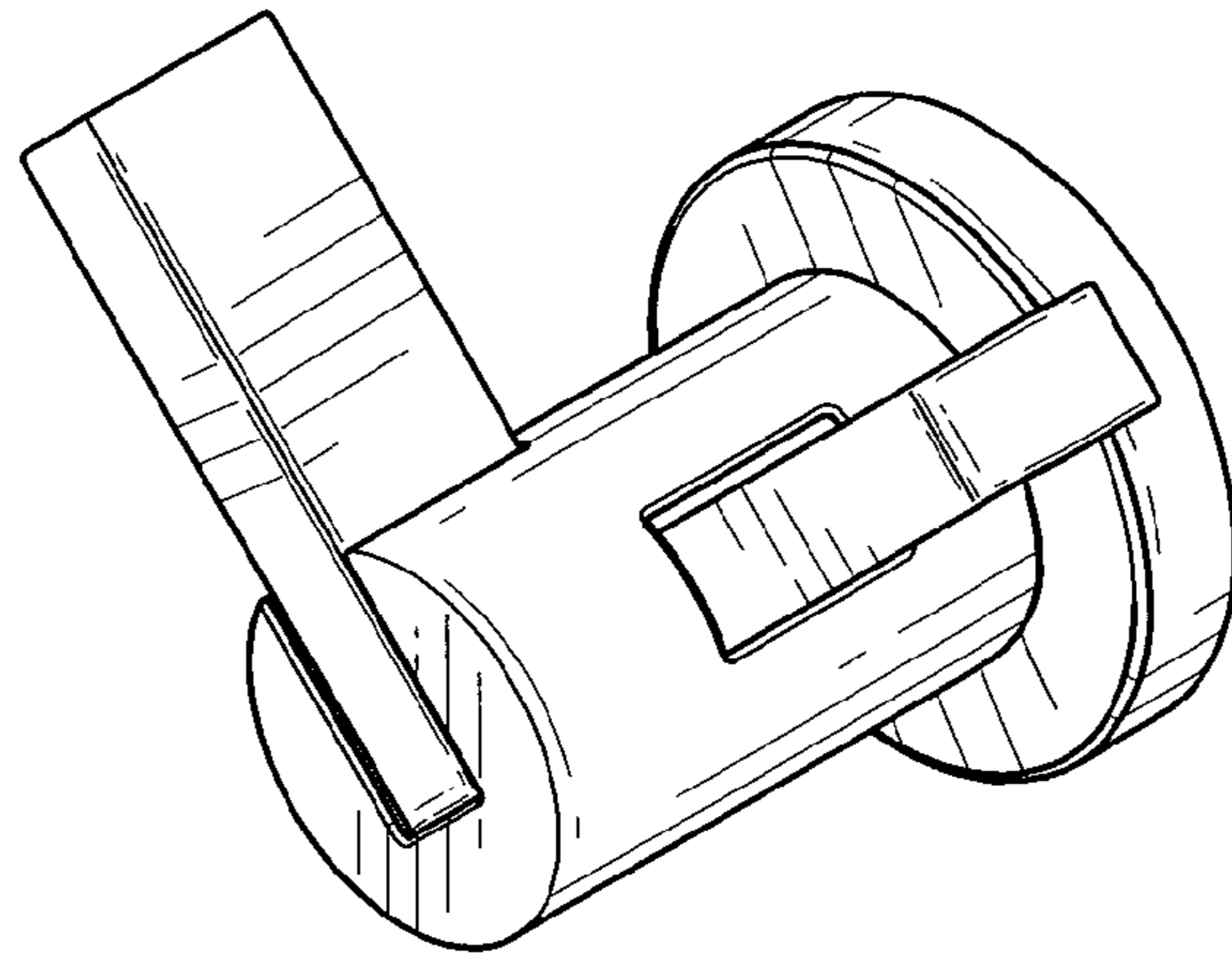


Fig-1

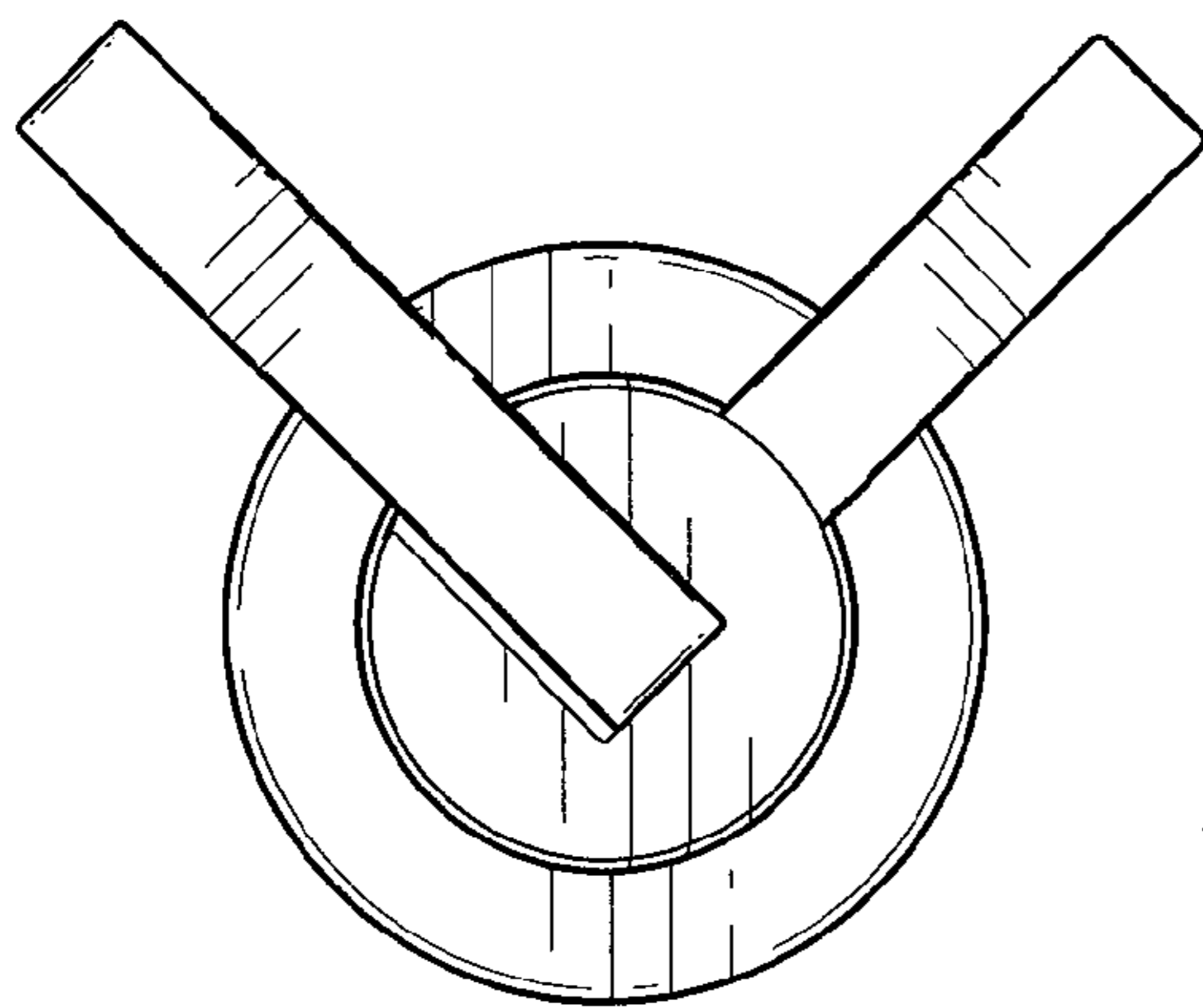


Fig-2

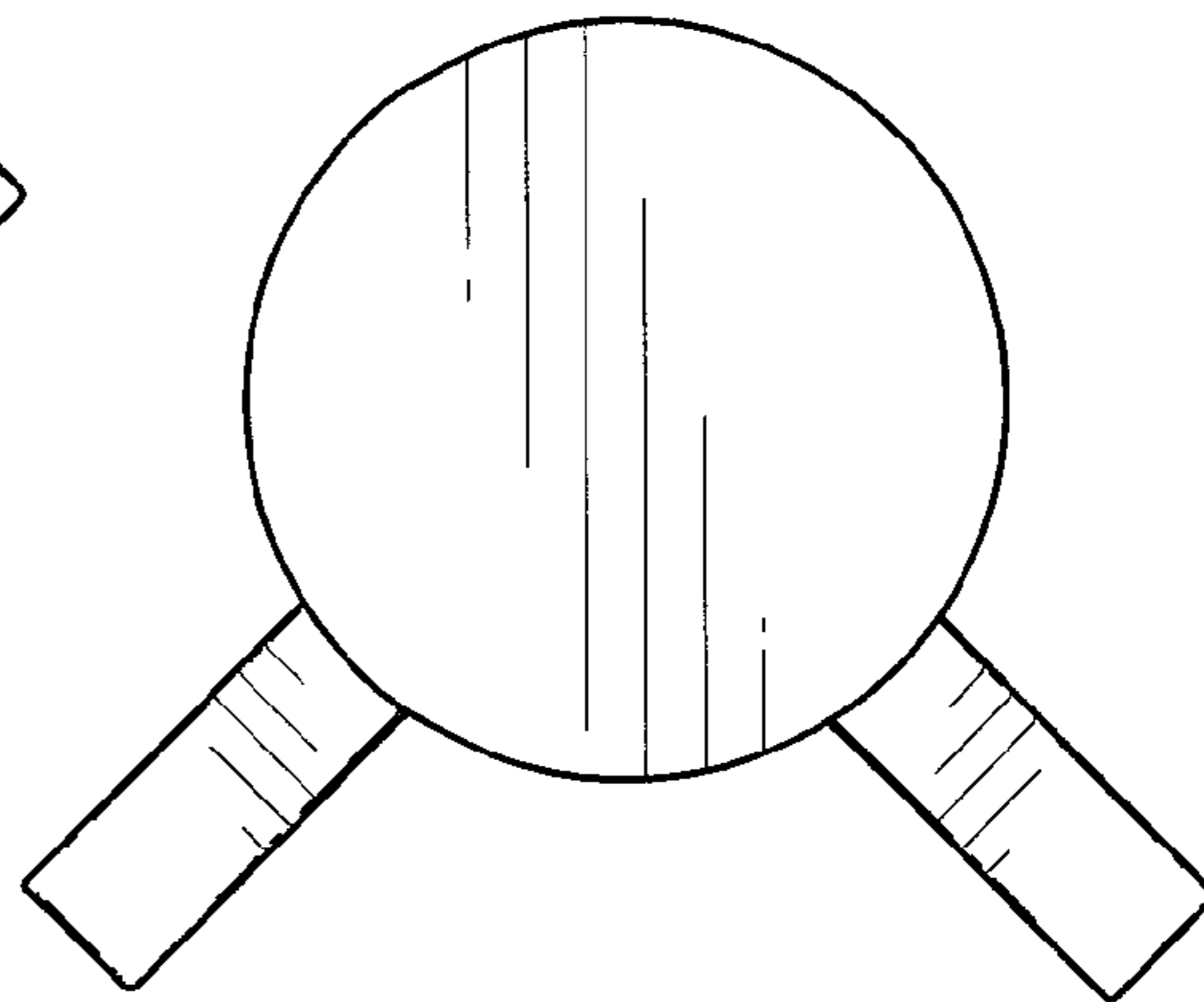


Fig-3

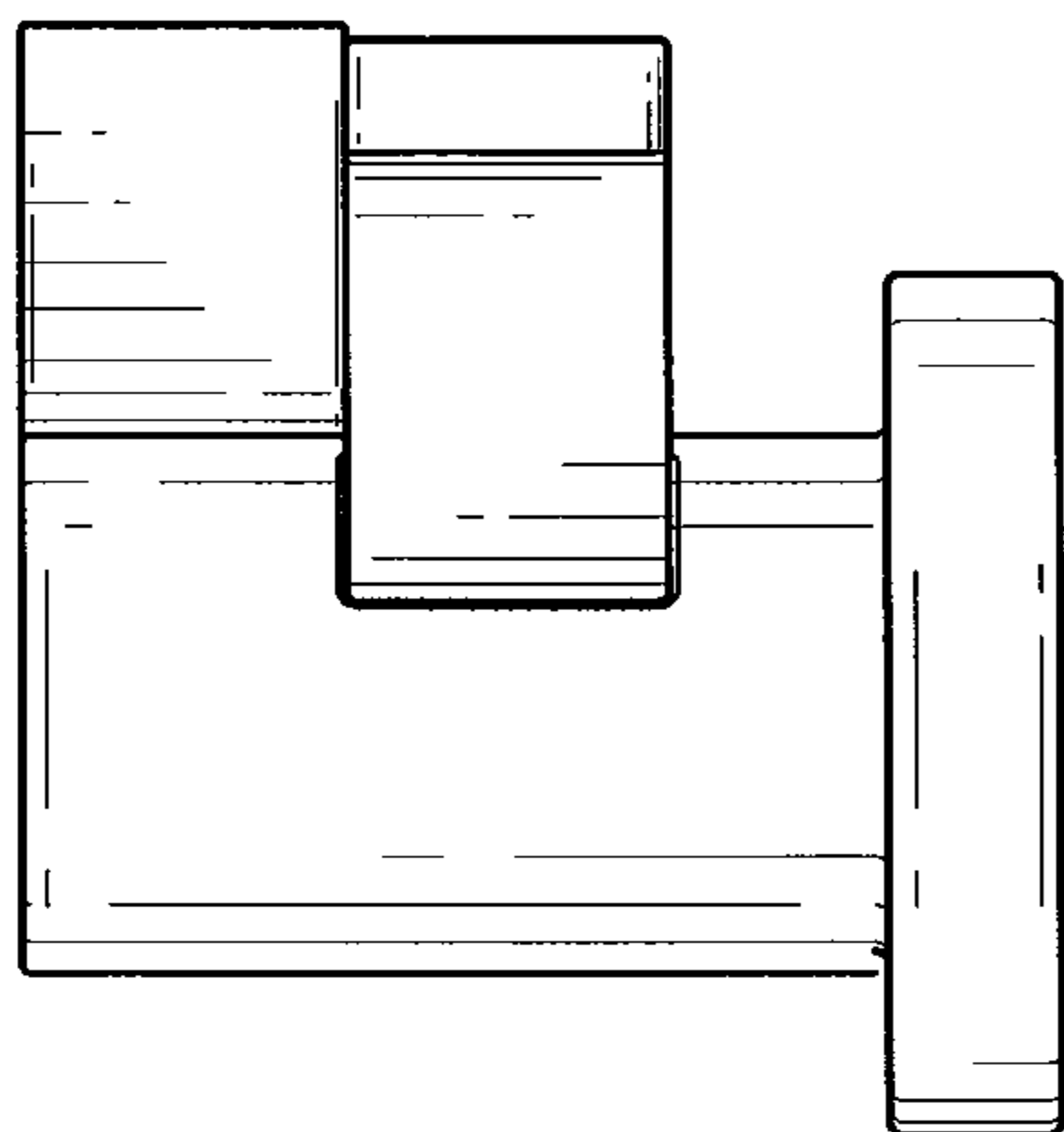


Fig-4

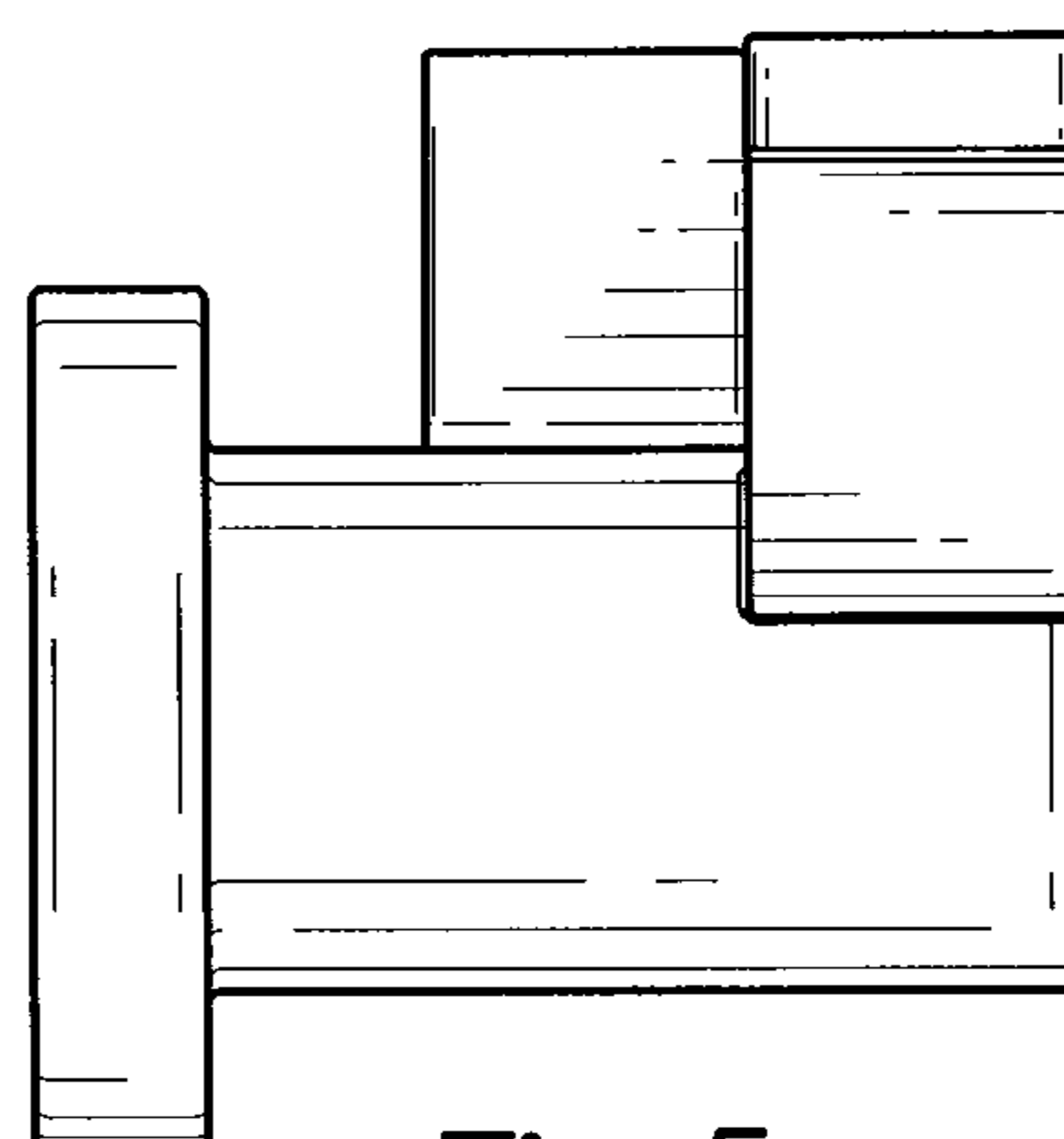


Fig-5

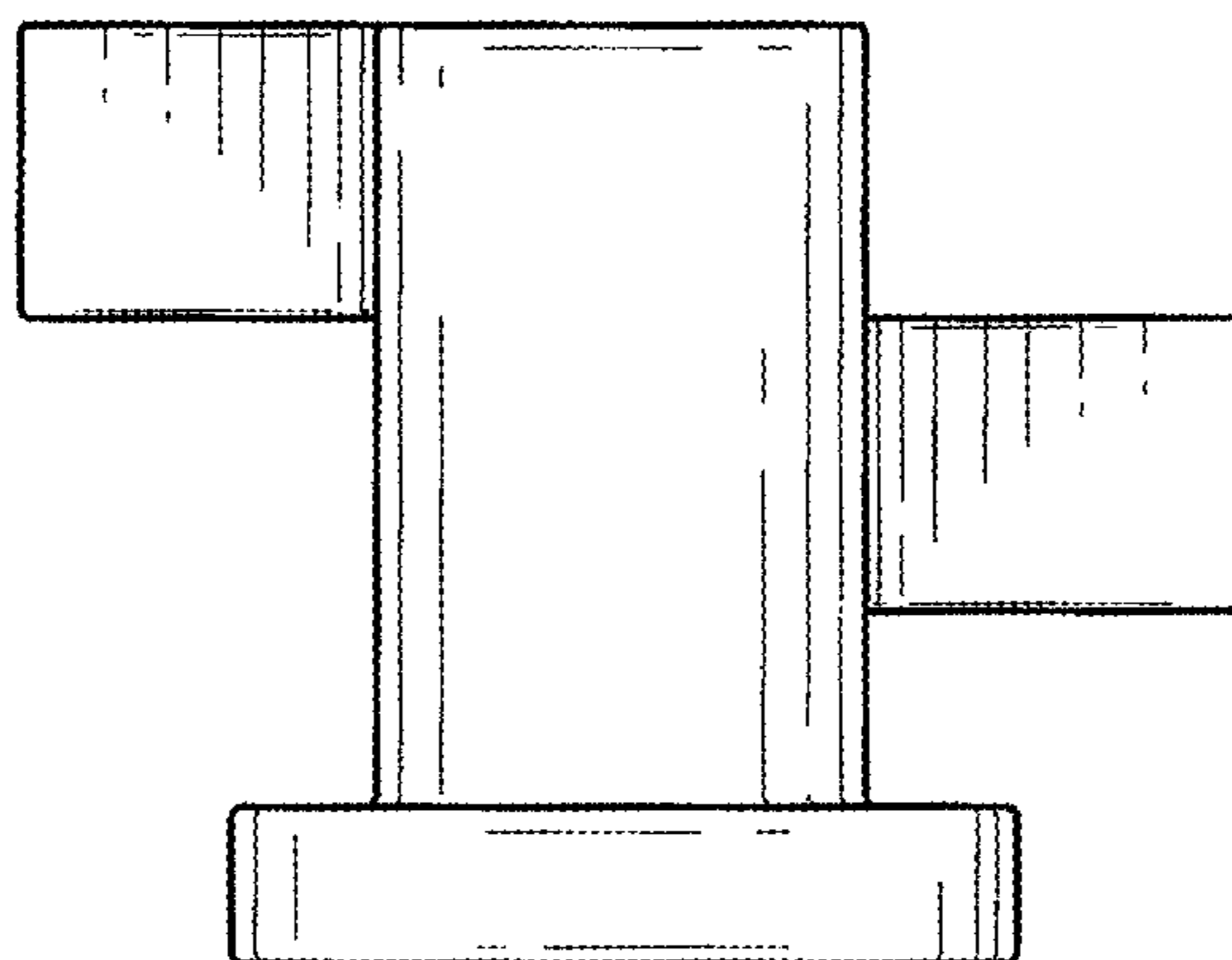


Fig-6

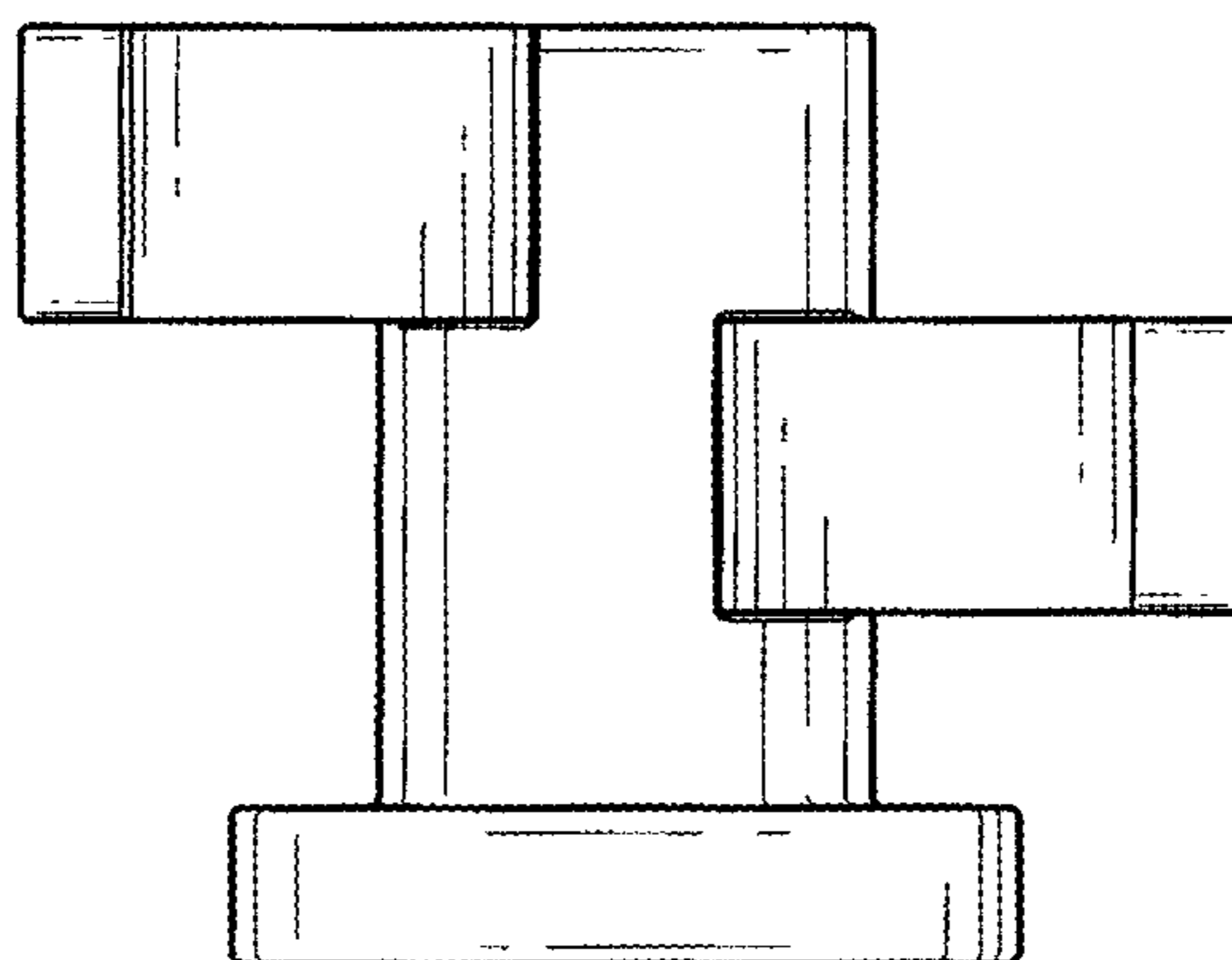


Fig-7