



US00D750388S

(12) **United States Design Patent**
Rowbottom

(10) **Patent No.:** **US D750,388 S**
(45) **Date of Patent:** **** Mar. 1, 2016**

(54) **HIGH VISIBILITY SHEET MATERIAL**

(71) Applicant: **Nicholas James Rowbottom**, Crewe (GB)

(72) Inventor: **Nicholas James Rowbottom**, Crewe (GB)

(73) Assignee: **NKR (CHESHIRE) LIMITED**, Crewe, Cheshire (GB)

(**) Term: **14 Years**

(21) Appl. No.: **29/496,575**

(22) Filed: **Jul. 15, 2014**

(30) **Foreign Application Priority Data**

Feb. 7, 2014 (EM) 002400606-0002

(51) **LOC (10) Cl.** **05-02**

(52) **U.S. Cl.**
USPC **D5/60**

(58) **Field of Classification Search**

USPC D5/1-5, 7, 8, 11, 12, 13, 14, 17, 19, 20, D5/23, 25, 26, 28, 32, 35, 37, 39, 43, 45, D5/46, 47, 50-53, 55-59, 60-65, 99; D6/304, 578, 583-585, 587, 589, 596, D6/598, 602, 603, 608, 609, 613, 614, 616, D6/617, 621, 622; D19/1, 5; D25/138, D25/142, 149, 151, 152; D2/502, 508
CPC B31F 1/07; B32B 3/266; B32B 5/024; B44F 1/00; B44F 1/02; B44F 1/08; B44F 1/10; B44F 3/00; B44F 5/00; B44F 7/00; B44F 9/00; B44F 9/04; D03D 1/00; D03D 25/00; D04H 1/00; D10B 2503/00; D10B 2503/04; D21H 27/02

See application file for complete search history.

(56) **References Cited**

U.S. PATENT DOCUMENTS

1,440,358	A *	12/1922	Whetstone	D21J 1/16 428/169
1,867,767	A *	7/1932	Schludecker	B05D 5/06 451/31
3,185,034	A *	5/1965	Youngblood, Jr.	E04C 2/54 359/595
D388,647	S *	1/1998	Odell	D10/109.1
D425,212	S *	5/2000	Lamberts	D25/109
D518,648	S *	4/2006	Broering	D5/53
D519,898	S *	5/2006	Hussaini	D12/203
D634,128	S *	3/2011	Alicea	D5/7
D651,809	S *	1/2012	Steeman	D5/58
D684,704	S *	6/2013	Lamberts	D25/103
D722,431	S *	2/2015	Sagan	D3/216

* cited by examiner

Primary Examiner — Eric Goodman

Assistant Examiner — Amy Wierenga

(74) *Attorney, Agent, or Firm* — Egbert Law Offices, PLLC

(57) **CLAIM**

The ornamental design for a high visibility sheet material, as shown and described.

DESCRIPTION

FIG. 1 is a front view of a high visibility sheet material showing my new design.

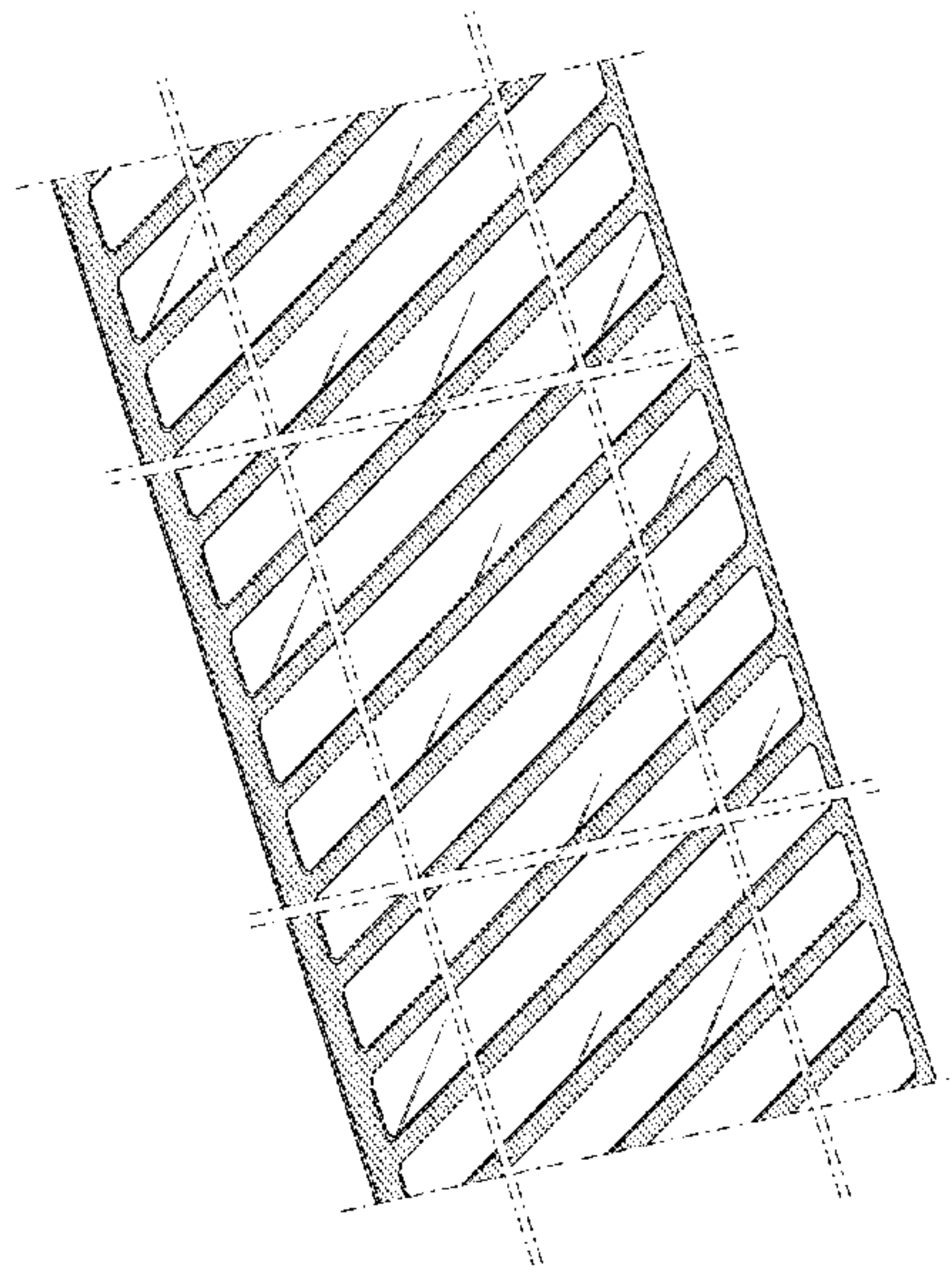
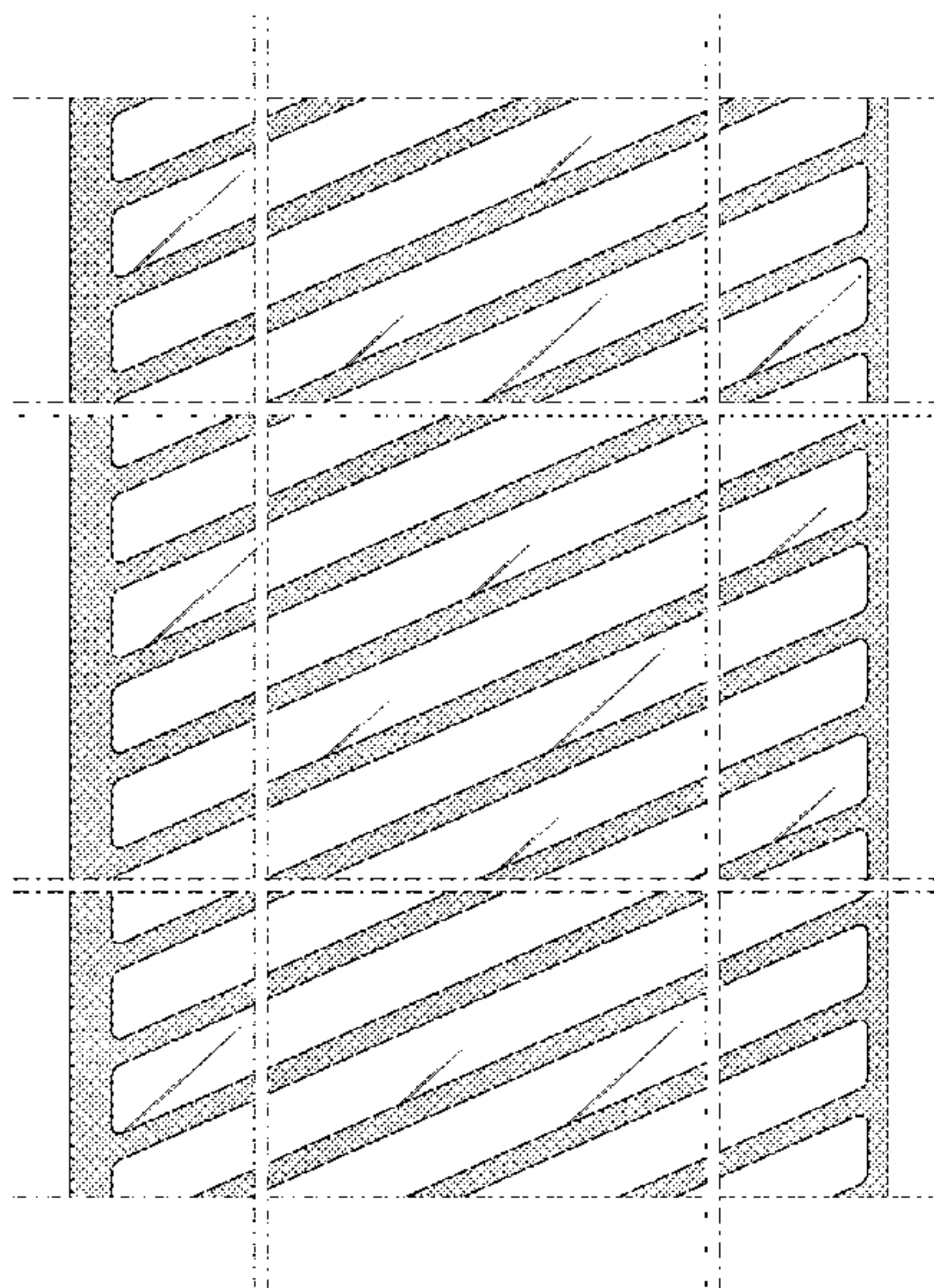
FIG. 2 is a side elevation view thereof, an opposite side view being identical;

FIG. 3 is a perspective view thereof; and,

FIG. 4 is a rear view thereof.

The broken lines in the drawings depict boundaries of the claim and define symbolic breaks in the length and width and form no part thereof. Any portion of the article between the break lines forms no part of the claimed design.

1 Claim, 3 Drawing Sheets



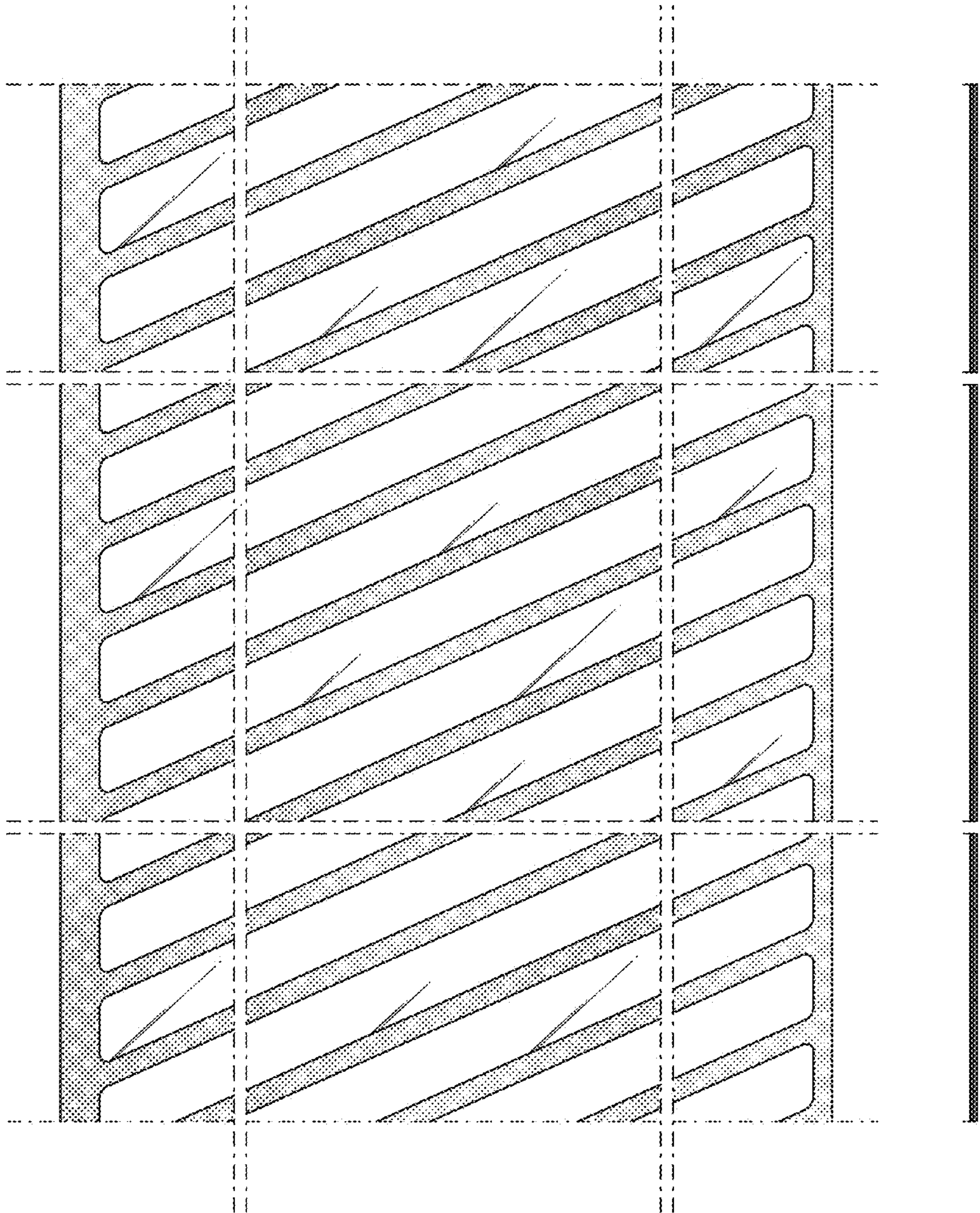


Fig. 1

Fig. 2

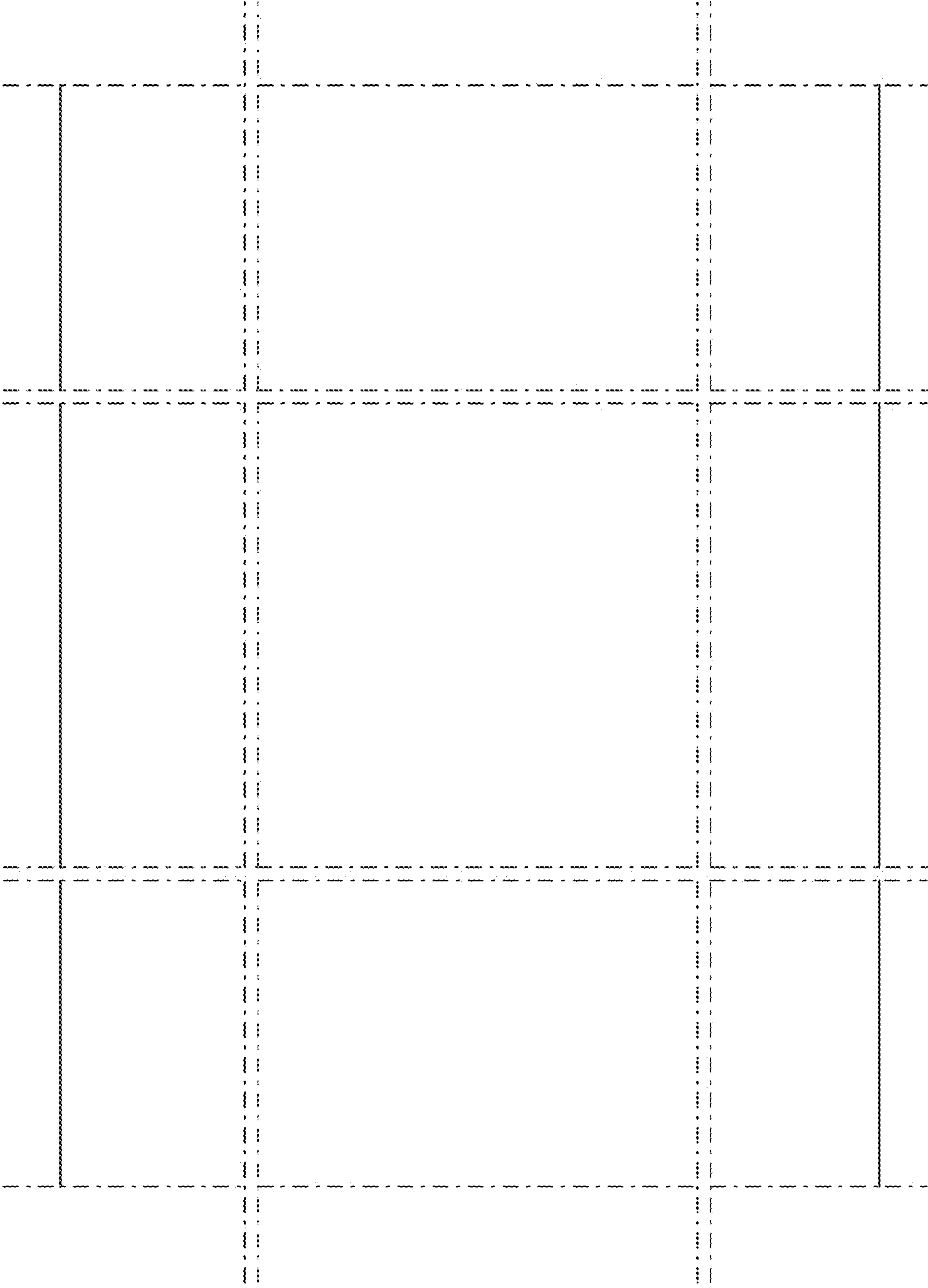


Fig. 3

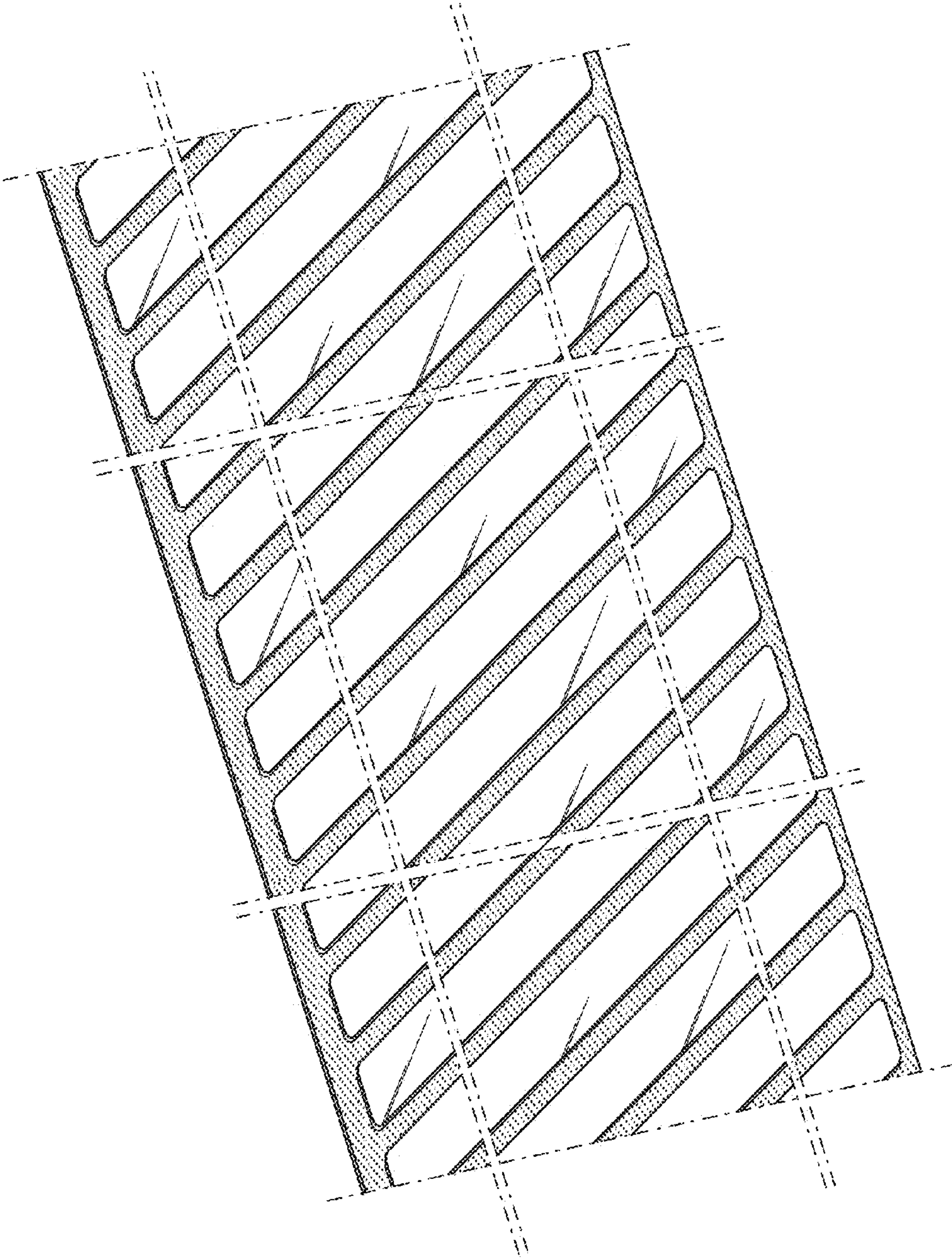


Fig. 4