



US00D750384S

(12) **United States Design Patent**
Gulamani

(10) **Patent No.:** **US D750,384 S**
(45) **Date of Patent:** **** Mar. 1, 2016**

(54) **BRUSH HANDLE**

(71) Applicant: **AG Global Products, LLC**, Sherman Oaks, CA (US)

(72) Inventor: **Shauky Gulamani**, Encino, CA (US)

(73) Assignee: **AG Global Products, LLC**, Sherman Oaks, CA (US)

(**) Term: **14 Years**

(21) Appl. No.: **29/498,472**

(22) Filed: **Aug. 4, 2014**

(51) **LOC (10) Cl.** **04-02**

(52) **U.S. Cl.**
USPC **D4/138**

(58) **Field of Classification Search**
USPC D4/104–113, 116–117, 121, 123, D4/130–138; 15/106, 110, 111, 143.1, 15/144.1, 159.1, 160, 167.1, 167.2, 172, 15/176.1, 184, 186–188, 201, 203; 132/119–121, 123, 137, 142, 151, 271, 132/308, 309, 311, 313; D24/147, 152, 154
CPC A46B 2200/104; A46B 2200/1093; A46B 9/023; A46B 9/06; A46B 17/04; A46B 5/00; A46B 5/0029; A46B 5/0033; A46B 5/02; A46B 7/023; A46B 7/042; A46B 3/005; A46B 13/001; A46D 1/0207; A46D 1/00; A46D 1/0284

See application file for complete search history.

(56) **References Cited**

U.S. PATENT DOCUMENTS

D432,792 S *	10/2000	Sivan	D4/133
D505,791 S *	6/2005	Chang	D4/138
D645,664 S *	9/2011	Pires	D4/133
D650,942 S *	12/2011	Choi	D28/35
D670,027 S *	10/2012	Choi	D28/35
D698,994 S *	2/2014	Xu	D28/35
2004/0025897 A1 *	2/2004	Menaged	A46B 5/0054 15/144.1
2012/0247501 A1 *	10/2012	Choi	A45D 1/04 132/269

* cited by examiner

Primary Examiner — Cynthia Ramirez

Assistant Examiner — Llorellys Martinez-Rivera

(74) *Attorney, Agent, or Firm* — Buchalter Nemer

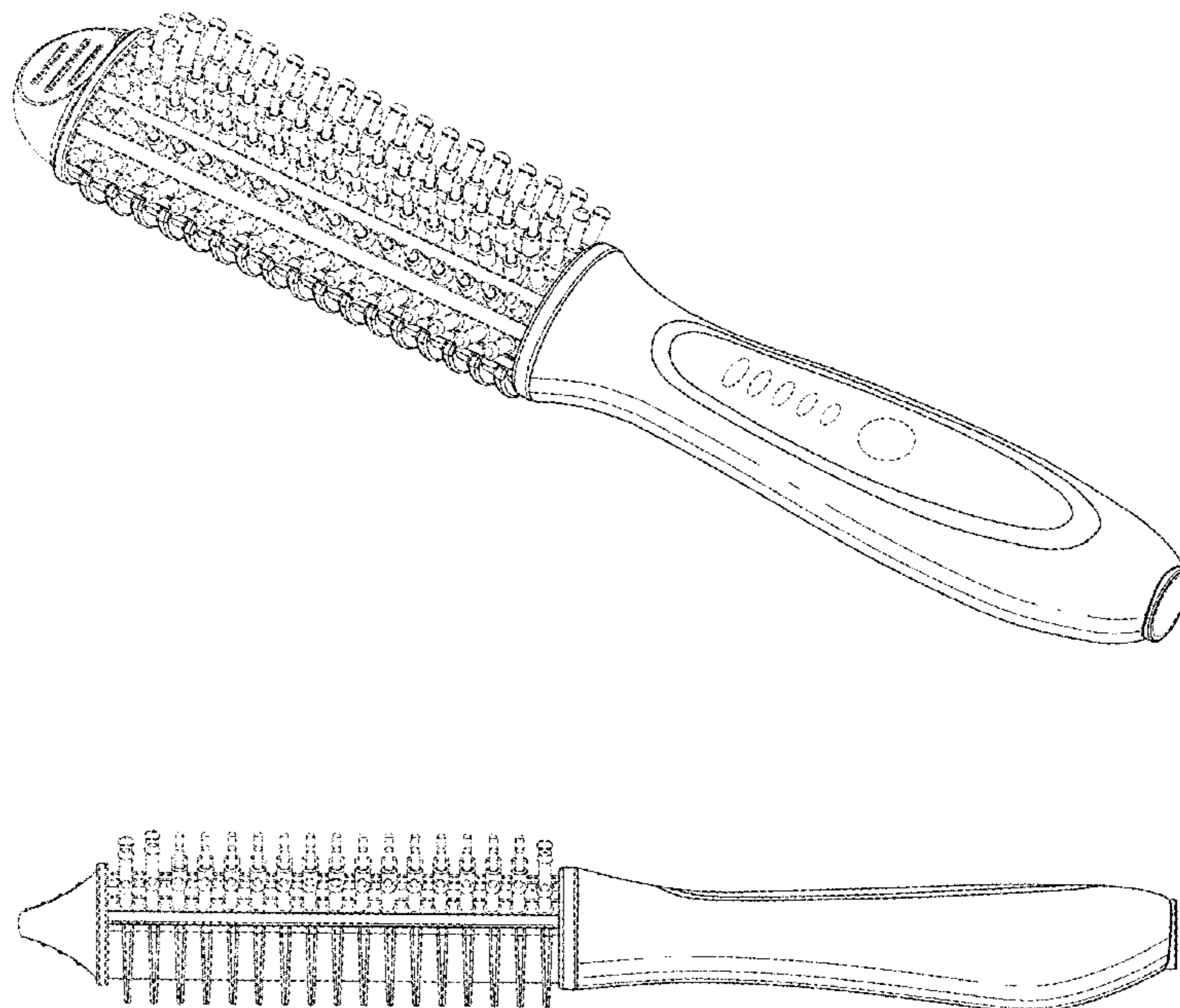
(57) **CLAIM**

The ornamental design for a brush handle, as shown and described.

DESCRIPTION

FIG. 1 is a front, left and bottom perspective view of a brush handle showing my new design; FIG. 2 is a left side elevation view thereof; FIG. 3 is a right side elevation view thereof; FIG. 4 is a front elevation view thereof; FIG. 5 is a rear elevation view thereof; FIG. 6 is a top plan view thereof; and, FIG. 7 is a bottom plan view thereof. The broken lines shown in FIGS. 1 through 7 illustrate portions of the brush handle that form no part of the claimed design.

1 Claim, 3 Drawing Sheets



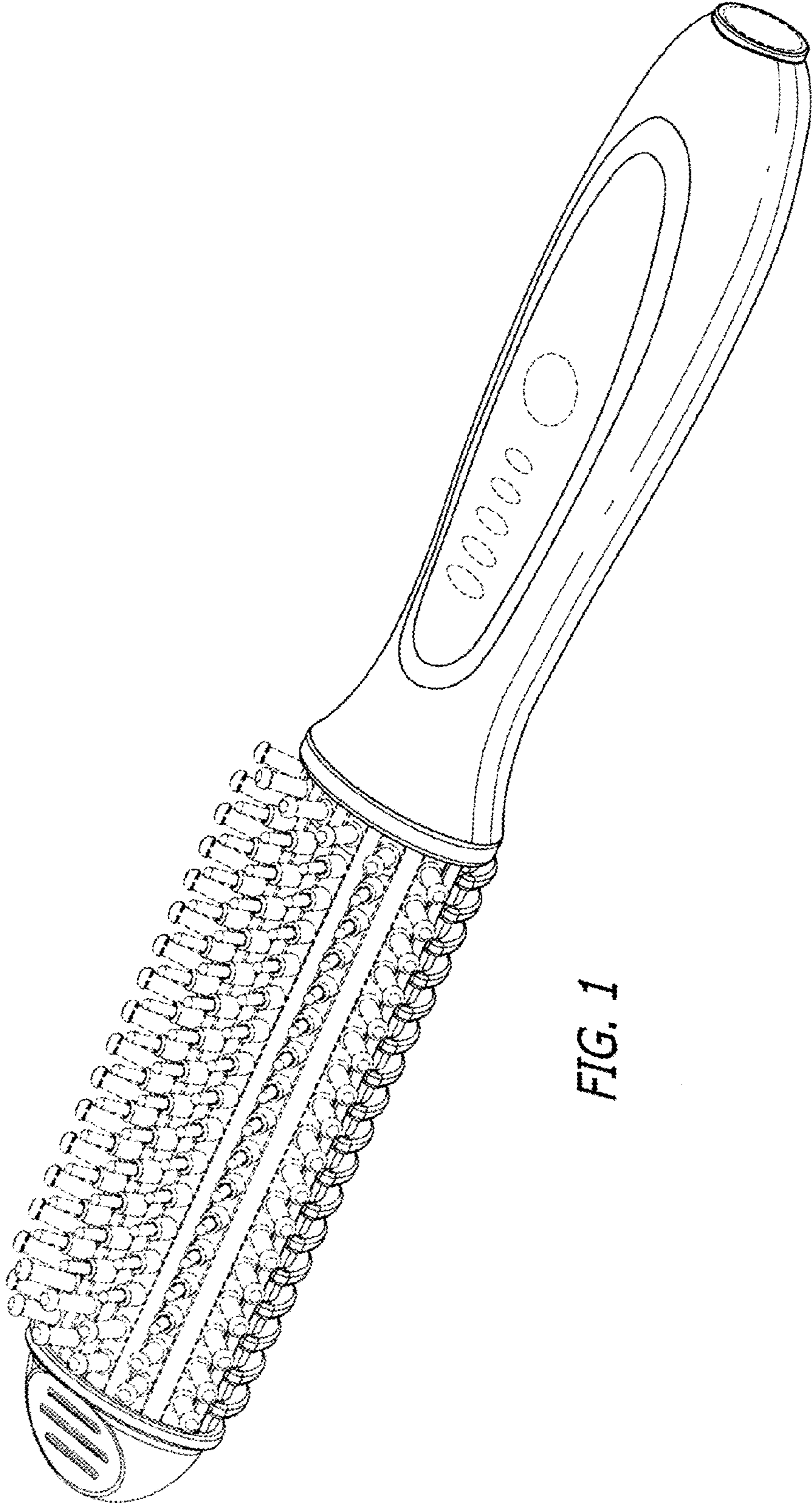


FIG. 1

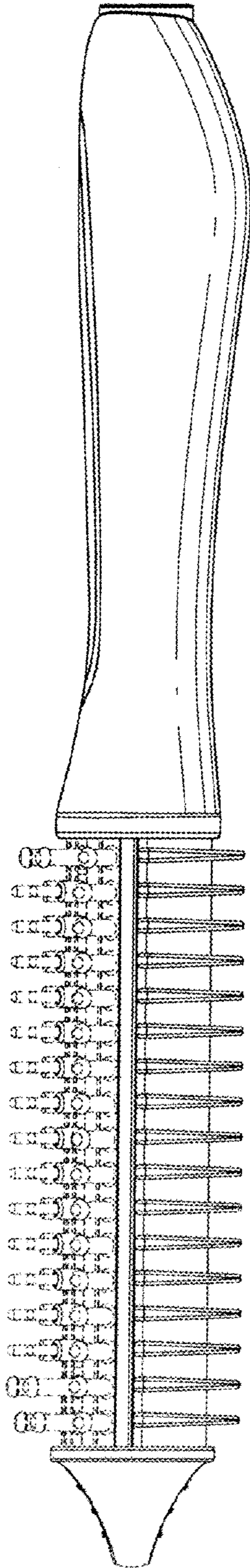


FIG. 2

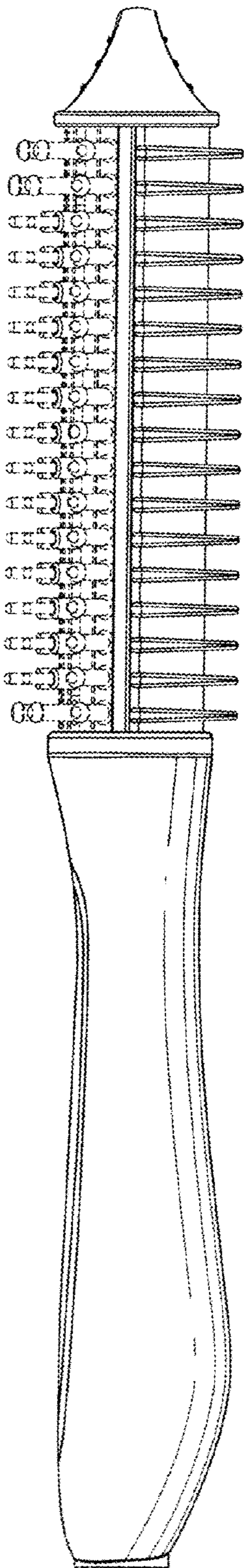
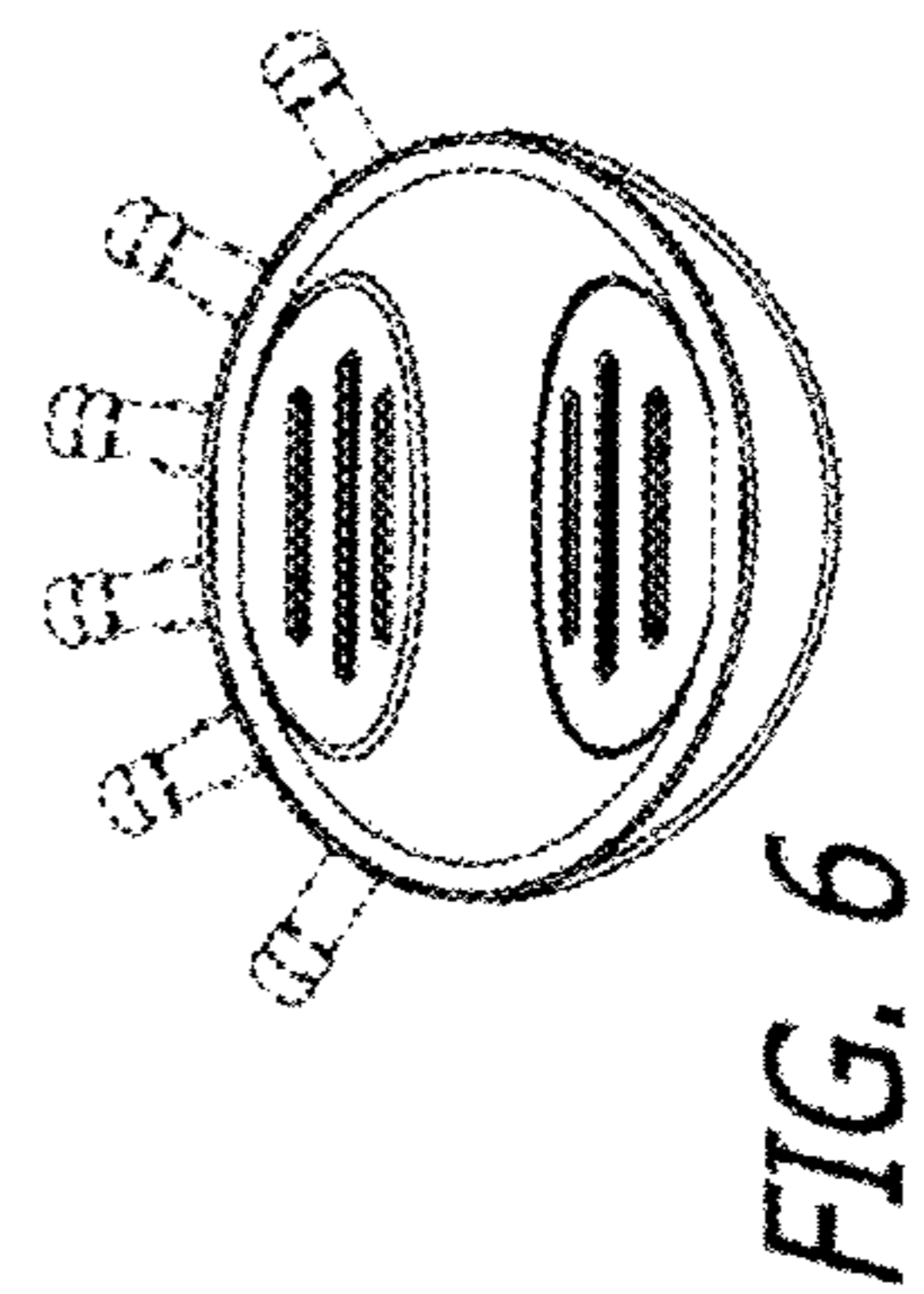
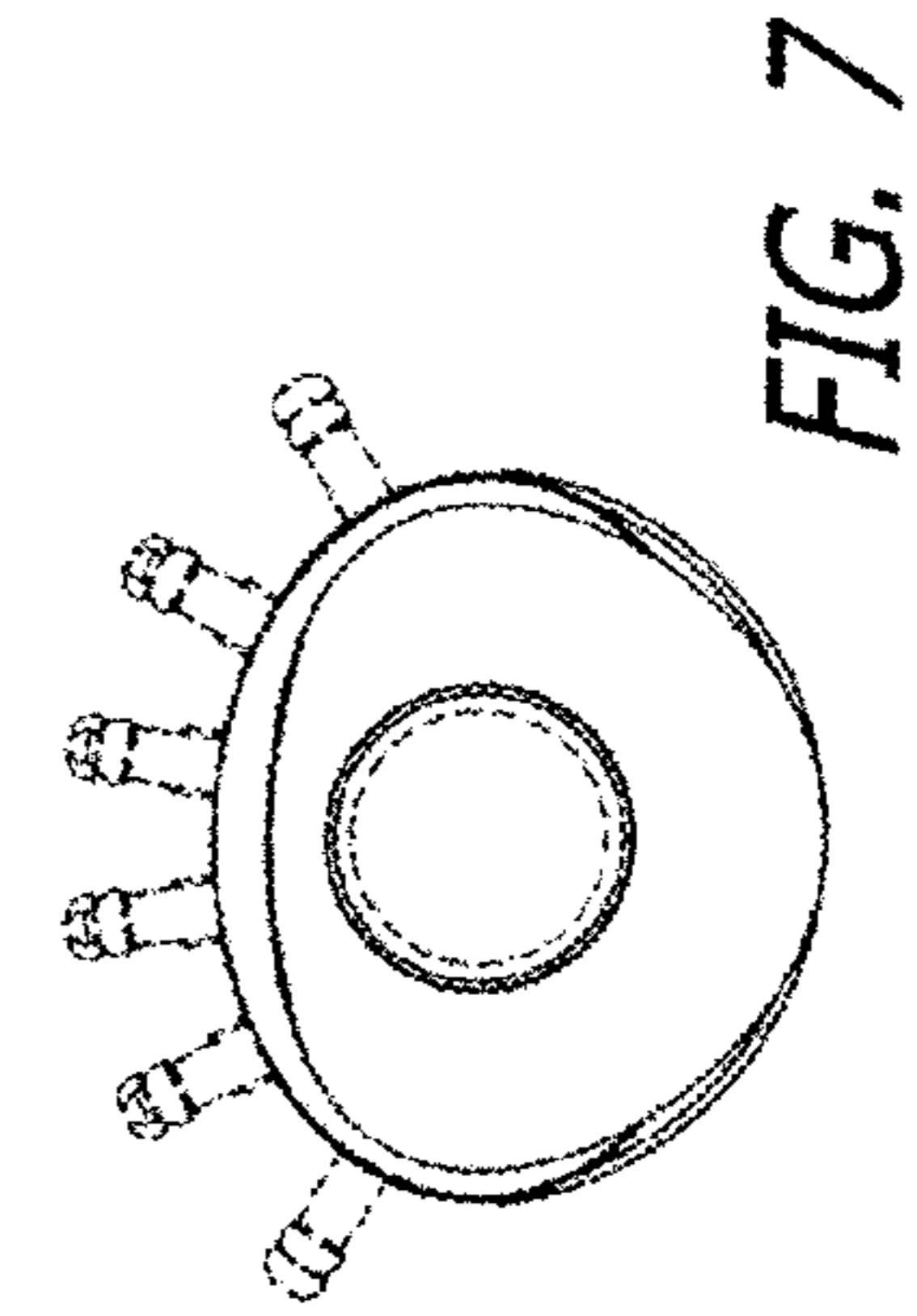
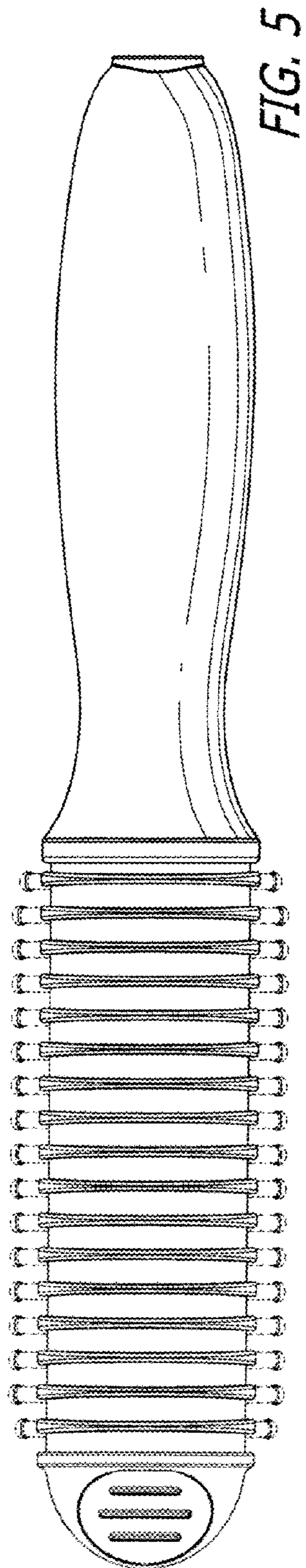
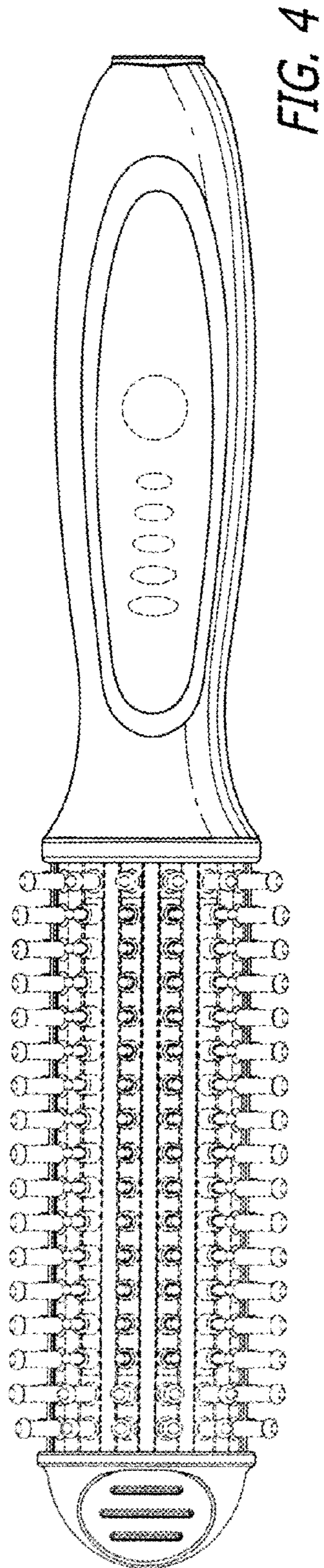


FIG. 3



UNITED STATES PATENT AND TRADEMARK OFFICE
CERTIFICATE OF CORRECTION

PATENT NO. : D750,384 S
APPLICATION NO. : 29/498472
DATED : March 1, 2016
INVENTOR(S) : Shauky Gulamani et al.

Page 1 of 1

It is certified that error appears in the above-identified patent and that said Letters Patent is hereby corrected as shown below:

On the Title Page

Item (72) should read:

Inventors: Shauky Gulamani, Encino, CA (US); and Huang Liang (China)

Signed and Sealed this
Eighth Day of August, 2017



Joseph Matal
*Performing the Functions and Duties of the
Under Secretary of Commerce for Intellectual Property and
Director of the United States Patent and Trademark Office*