



US00D750380S

(12) **United States Design Patent**
Blouin et al.

(10) **Patent No.:** **US D750,380 S**
(45) **Date of Patent:** **** Mar. 1, 2016**

(54) **SNOW BRUSH**

(56) **References Cited**

(71) Applicant: **GARANT GP**, Saint-Francois (CA)

U.S. PATENT DOCUMENTS

(72) Inventors: **Carl Blouin**, Levis (CA); **Eveline Drolet**, Levis (CA); **Patrick Mainville**, Montreal (CA); **Francois Gaucher**, Beloeil (CA); **Antoine Dubois**, Montreal (CA)

938,421 A	10/1909	Hakins	
1,747,180 A	2/1930	Raynor	
2,260,390 A	10/1941	Lorenz	
2,284,528 A	5/1942	Malmquist	
2,637,871 A	5/1953	Moser	
2,856,621 A *	10/1958	Racicot	A46B 17/08 15/105
2,915,786 A	12/1959	Hall	
D200,294 S *	2/1965	Gainsley	D28/59
3,717,898 A	2/1973	Jones	
3,872,536 A	3/1975	Siemund	
4,317,250 A	3/1982	Shutts	

(73) Assignee: **GARANT GP**, Saint-François (CA)

(**) Term: **14 Years**

(Continued)

(21) Appl. No.: **29/495,853**

FOREIGN PATENT DOCUMENTS

(22) Filed: **Jul. 4, 2014**

(51) **LOC (10) Cl.** **04-02**

BE	453539	1/1944
DE	19543164 A	5/1997
DE	202011108127 U	2/2012

(52) **U.S. Cl.**

USPC **D4/118**; D4/137

(58) **Field of Classification Search**

USPC D4/100, 102, 114, 117, 118, 121, D4/130-136, 138; 15/21.1, 143.1, 145, 15/159.1, 160, 186-188; 132/120, 142, 132/313; D8/80, 83, 94, 107, 300; D32/40, D32/42, 46, 49, 51, 52

CPC A45D 24/14; A45D 24/16; A46B 3/005; A46B 5/00; A46B 5/02; A46B 5/021; A46B 9/02; A46B 9/021; A46B 9/023; A46B 13/001; A46B 13/008; A46B 15/0055; A46B 15/0081; A46B 15/0087; A46B 17/02; A46B 2200/30; A46B 2200/104; A46B 2200/106; A46B 2200/202; A46B 2200/205; A46B 2200/207; A46B 2200/304; A46B 2200/1006; A46B 2200/1046; A46B 2200/1053; A46B 2200/3006; A46B 2200/3033; A46B 2200/3093

See application file for complete search history.

Primary Examiner — Keli L Hill

(74) *Attorney, Agent, or Firm* — Goudreau Gage Dubuc; Gwendoline Bruneau

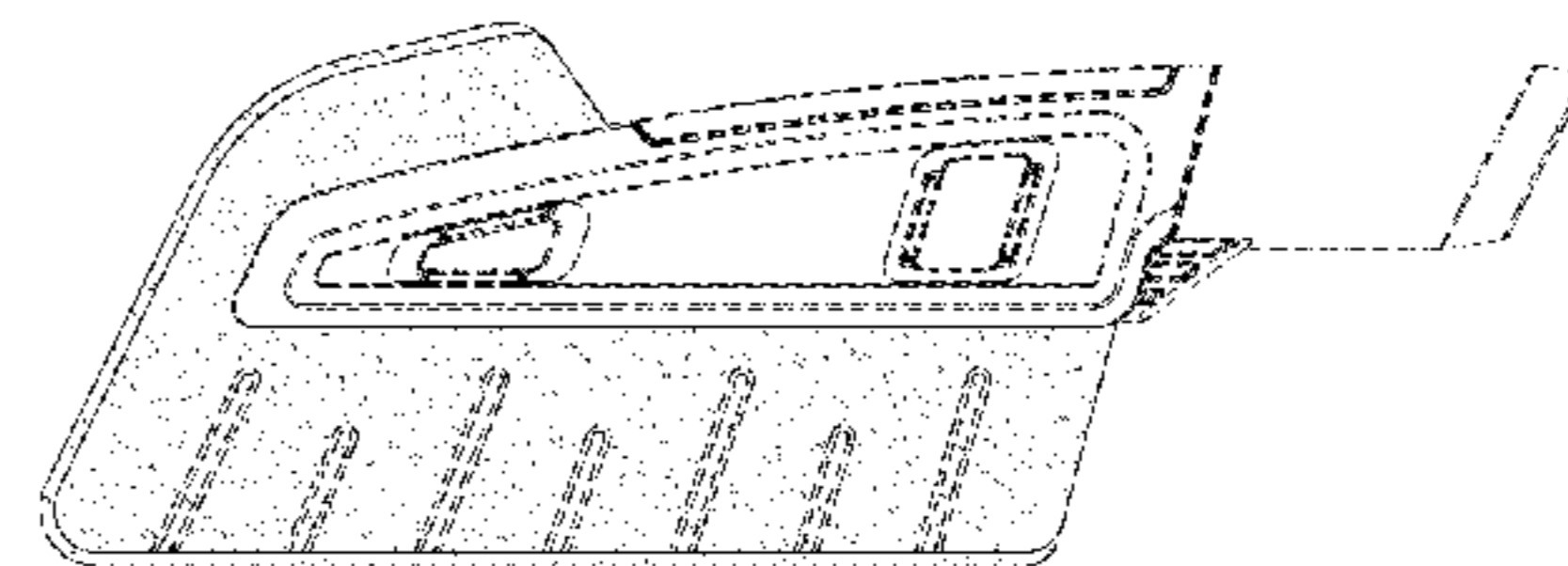
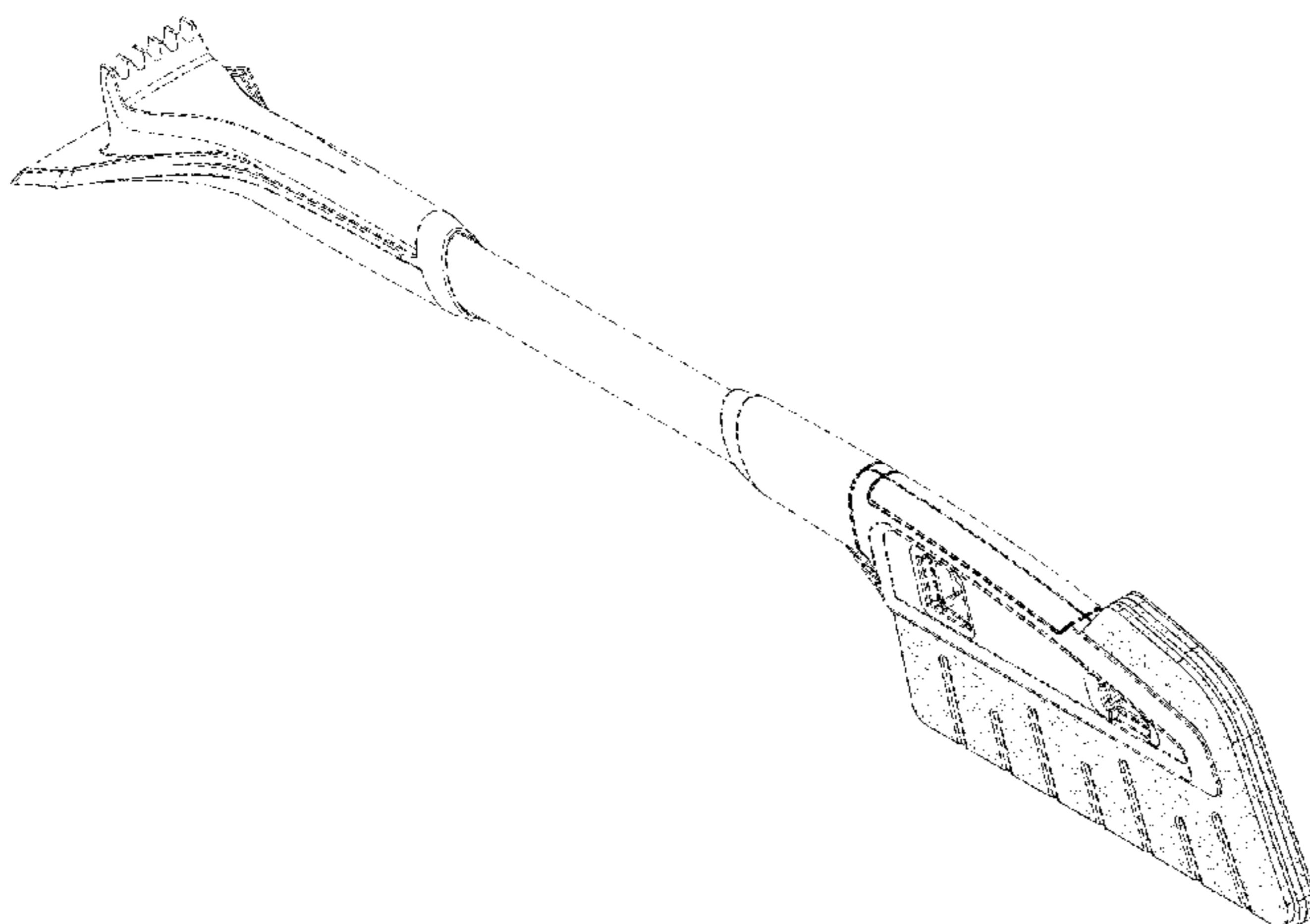
(57) **CLAIM**

The ornamental design for a snow brush, as shown and described.

DESCRIPTION

FIG. 1 is perspective view of the snow brush; FIG. 2 is a first side view of the snow brush of FIG. 1; FIG. 3 is a bottom view of the snow brush of FIG. 1; FIG. 4 is a top view of the snow brush of FIG. 1; FIG. 5 is a second side view of the snow brush of FIG. 1; FIG. 6 is a back view of the snow brush of FIG. 1; and, FIG. 7 is a front view of the snow brush of FIG. 1. The broken line showing of portions of a shaft is included for the purpose of illustrating environmental structure and forms no part of the claimed design.

1 Claim, 4 Drawing Sheets



(56)

References Cited

U.S. PATENT DOCUMENTS

D269,054 S *	5/1983	Bauer	D32/49	6,662,399 B1	12/2003	Vairo	
4,712,269 A	12/1987	Worthen			D542,035 S *	5/2007	Barnes, Jr. D32/42
5,067,197 A	11/1991	Cormier			D561,999 S *	2/2008	Liu D4/118
D337,436 S *	7/1993	Hopkins	D32/42	D562,002 S *	2/2008	Liu D4/118
5,263,222 A	11/1993	Johnstone, II			D562,003 S *	2/2008	Liu D4/118
D391,714 S	3/1998	Kilander			D562,565 S *	2/2008	Liu D4/118
5,813,728 A	9/1998	Zigerlig			D564,230 S *	3/2008	Schouten D32/49
6,038,794 A	3/2000	Kilander			7,469,444 B1	12/2008	Thomas	
6,243,906 B1	6/2001	Holliday et al.			2005/0061793 A1	3/2005	Deane, III	
					2006/0048324 A1	3/2006	Vassilopoulos	
					2014/0157536 A1 *	6/2014	Blouin A46B 3/08 15/160

* cited by examiner

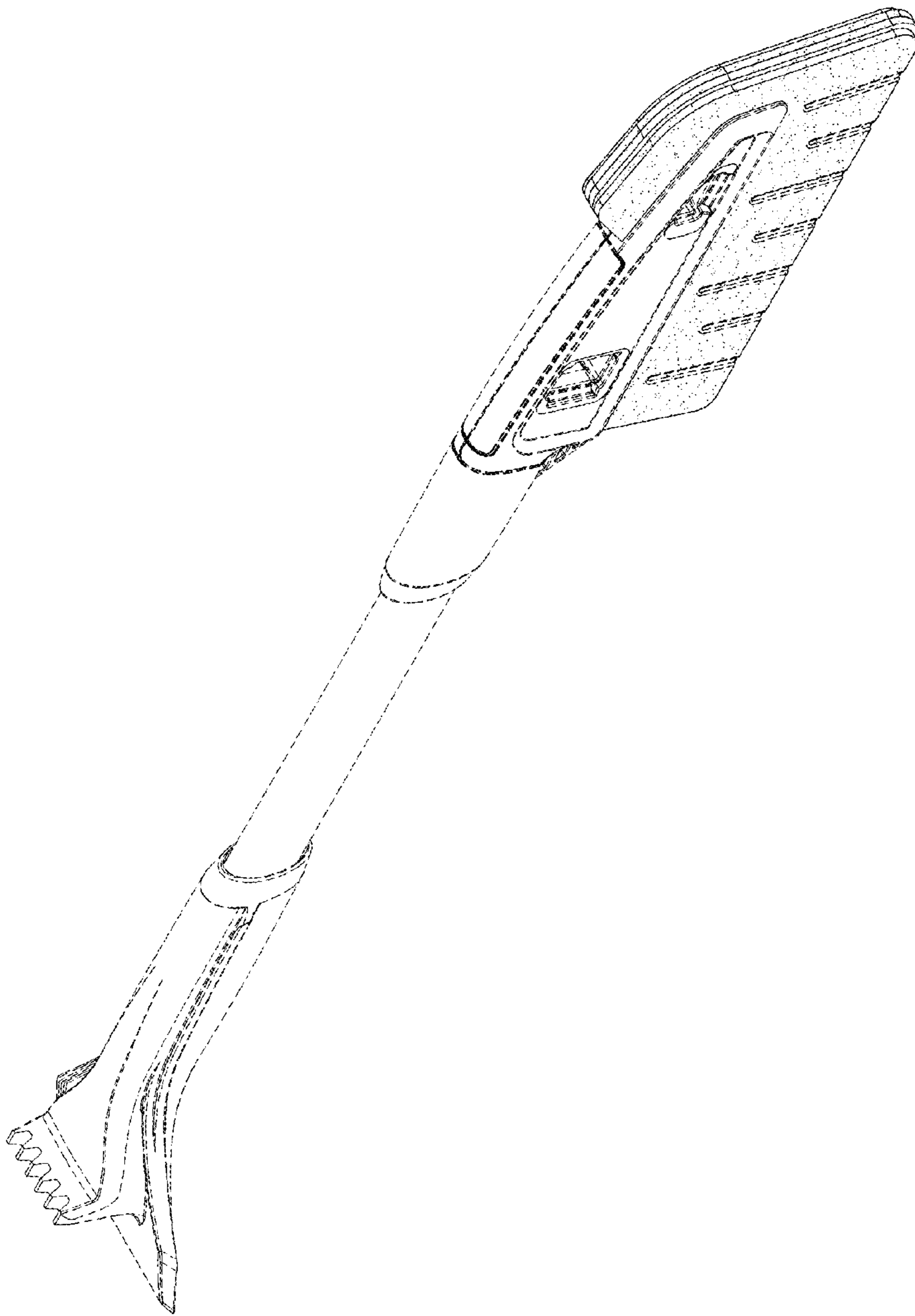


FIG-1

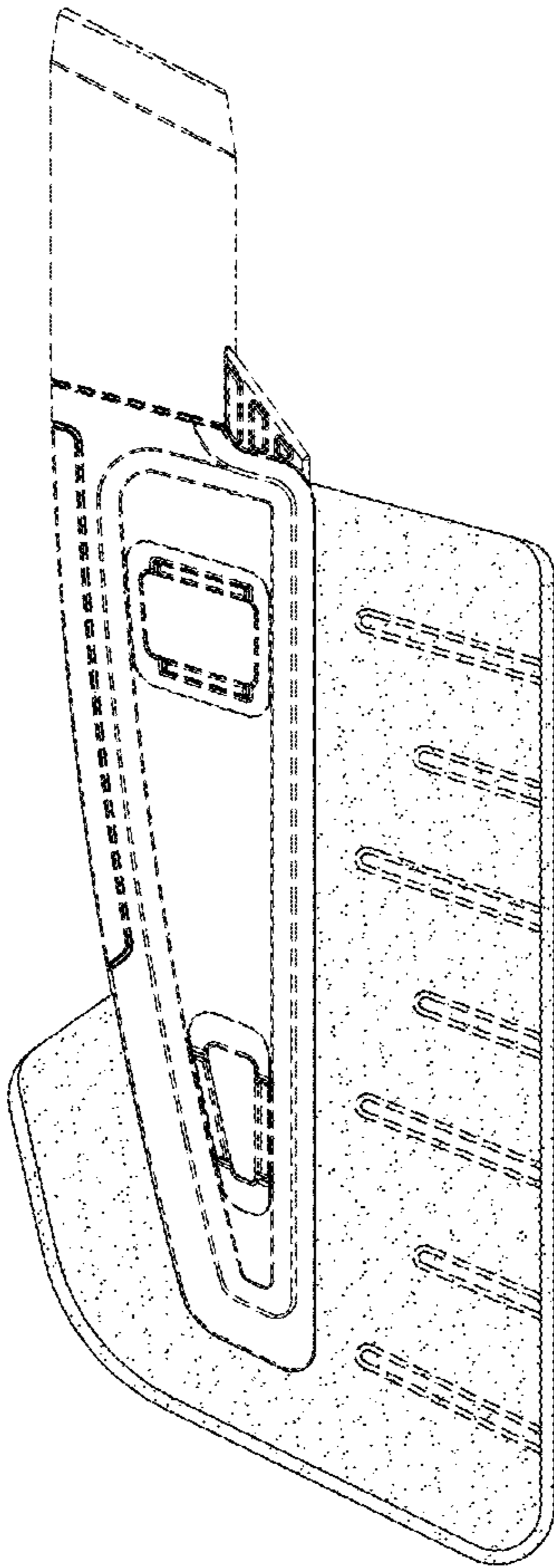


FIG-2

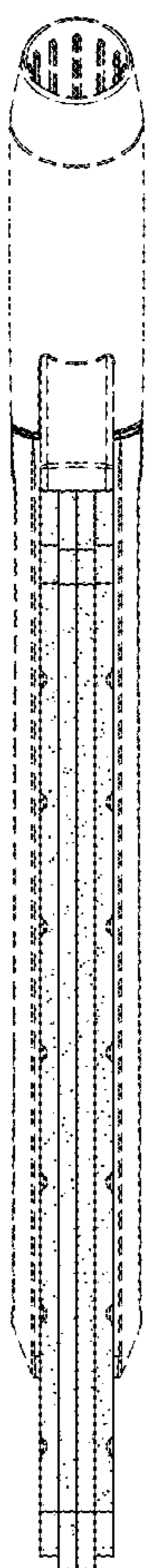


FIG. 3

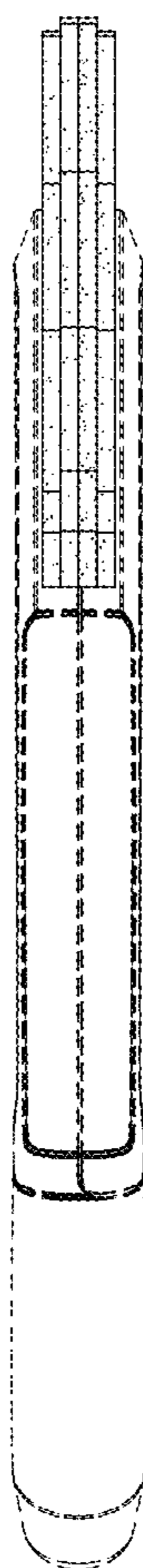


FIG. 4

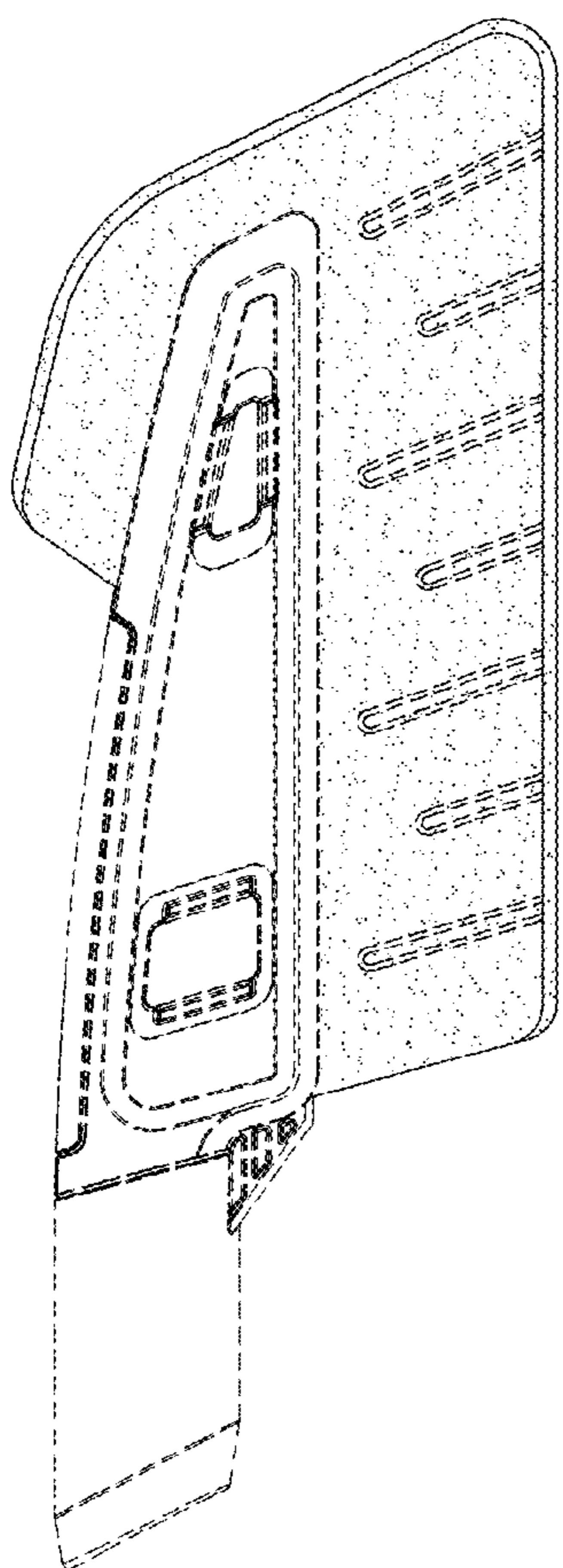


FIG-5

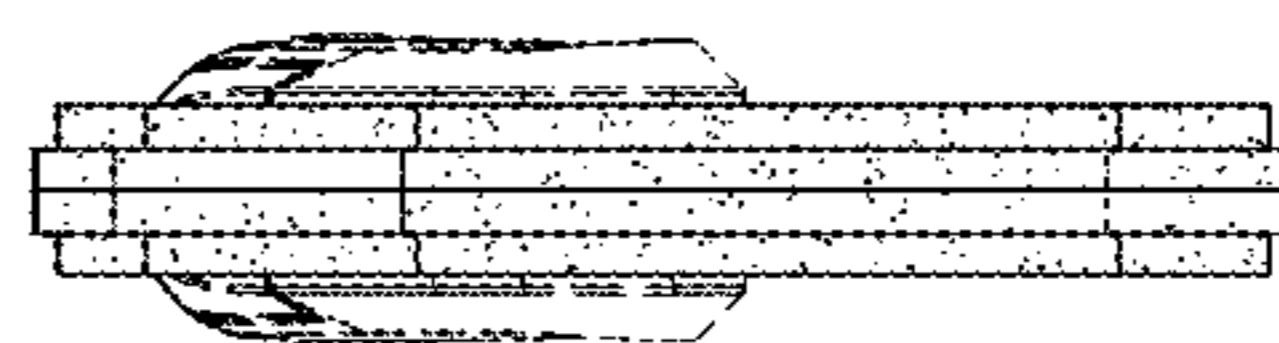


FIG-7

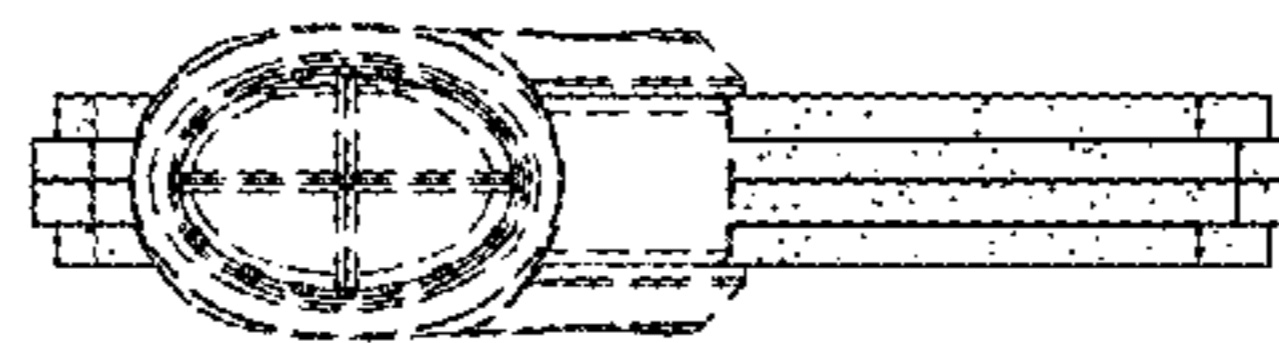


FIG-6