



US00D750377S

(12) **United States Design Patent**  
**Morin**

(10) **Patent No.:** **US D750,377 S**  
(45) **Date of Patent:** **\*\* Mar. 1, 2016**

(54) **HANDBAG**  
(71) Applicant: **Hunter Boot Limited**, Edinburgh (GB)  
(72) Inventor: **Manuela Morin**, London (GB)  
(73) Assignee: **Hunter Boot Limited**, Edinburgh (GB)

(\*\*) Term: **14 Years**  
(21) Appl. No.: **29/492,993**

(22) Filed: **Jun. 4, 2014**

(51) **LOC (10) Cl.** ..... **03-01**  
(52) **U.S. Cl.**  
USPC ..... **D3/318**

(58) **Field of Classification Search**  
USPC ..... D3/218, 227, 232–233, 239, 240–243,  
D3/249, 303, 318, 323, 327, 328, 900  
CPC ..... A45C 3/06; A45C 15/00; A45C 3/08;  
A45C 3/00; A45C 9/00; A45C 13/08; A45C  
13/24; A45C 13/30; A45C 1/02; A45C 11/00;  
A45C 11/24; A45C 13/02; A45C 13/06;  
A45C 13/103; A45C 13/26; A45C 1/00;  
A45C 2003/007; A45C 3/001  
See application file for complete search history.

(56) **References Cited**

**U.S. PATENT DOCUMENTS**

D24,543 S \* 8/1895 Bruning ..... D3/241  
D123,215 S \* 10/1940 Pichel ..... D3/240  
D180,516 S \* 6/1957 Hoffmann et al. .... D3/242  
D184,689 S \* 3/1959 Schoenfeld ..... D3/232  
D460,622 S \* 7/2002 Wong ..... D3/318

D472,709 S \* 4/2003 Vazquez ..... D3/303  
D489,178 S \* 5/2004 McMahan et al. .... D3/303  
D493,959 S \* 8/2004 Kirkwood ..... D3/303  
D508,320 S \* 8/2005 Holland et al. .... D3/303  
D537,632 S \* 3/2007 Quansah ..... D3/303  
D562,555 S \* 2/2008 Shapiro et al. .... D3/303  
D672,962 S \* 12/2012 Wang et al. .... D3/318

\* cited by examiner

*Primary Examiner* — Robert M Spear

*Assistant Examiner* — Eliza Bennett-Hattan

(74) *Attorney, Agent, or Firm* — Venable LLP; Jeffri A. Kaminski

(57) **CLAIM**

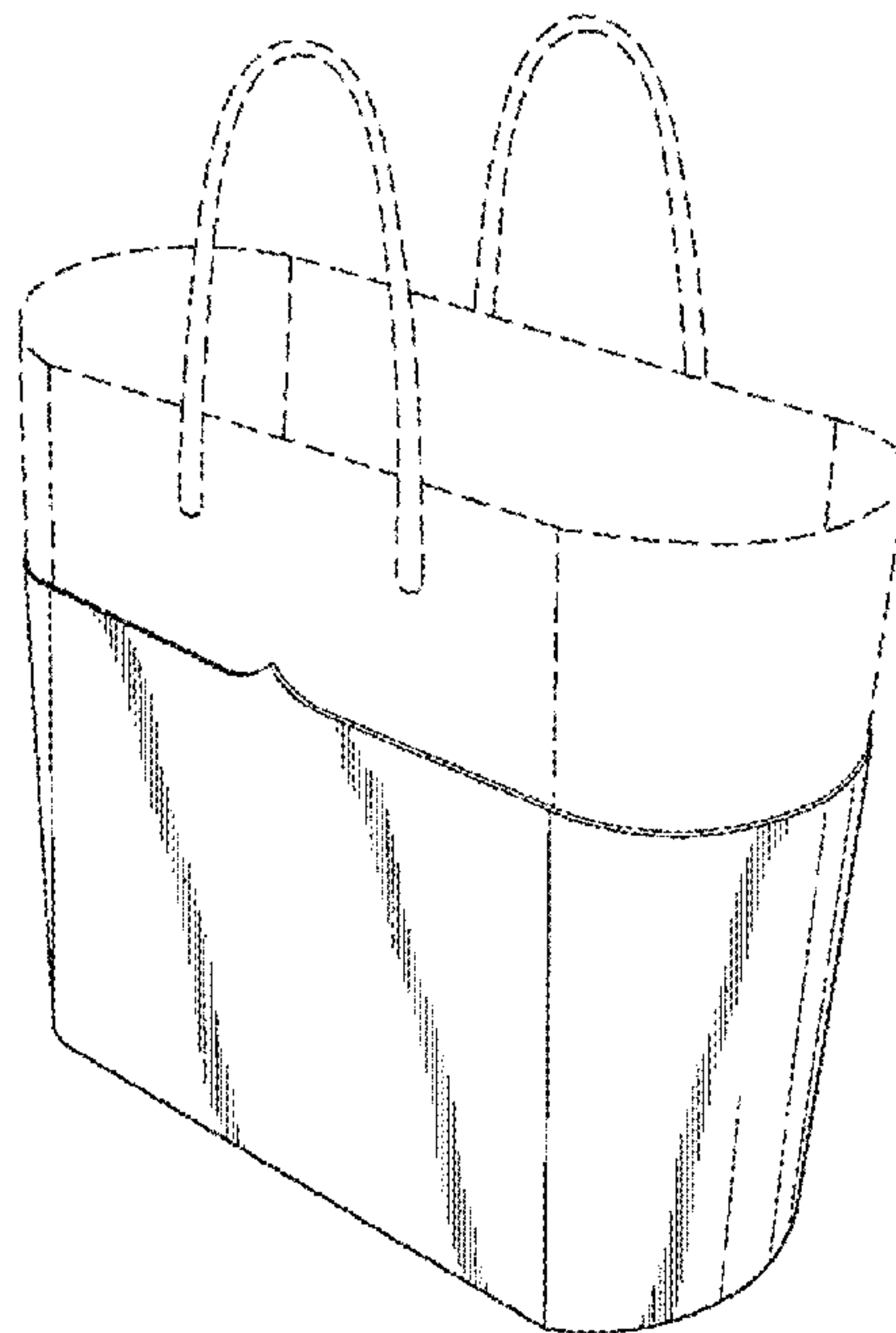
The ornamental design for a handbag, as shown and described.

**DESCRIPTION**

FIG. 1 is a front view of a handbag, containing the design according to an embodiment of the invention;  
FIG. 2 is a rear view of the handbag, according to FIG. 1;  
FIG. 3 is a bottom view of the handbag, according to FIG. 1;  
FIG. 4 is a top view of the handbag, according to FIG. 1;  
FIG. 5 is a right side view of the handbag, according to FIG. 1;  
FIG. 6 is a left side view of the handbag, according to FIG. 1;  
and,  
FIG. 7 is a front-right-top view of the handbag, according to FIG. 1.

The broken lines in the figures show the remainder of the handbag in which the claimed design is embodied and form no part of the claimed design.

**1 Claim, 4 Drawing Sheets**



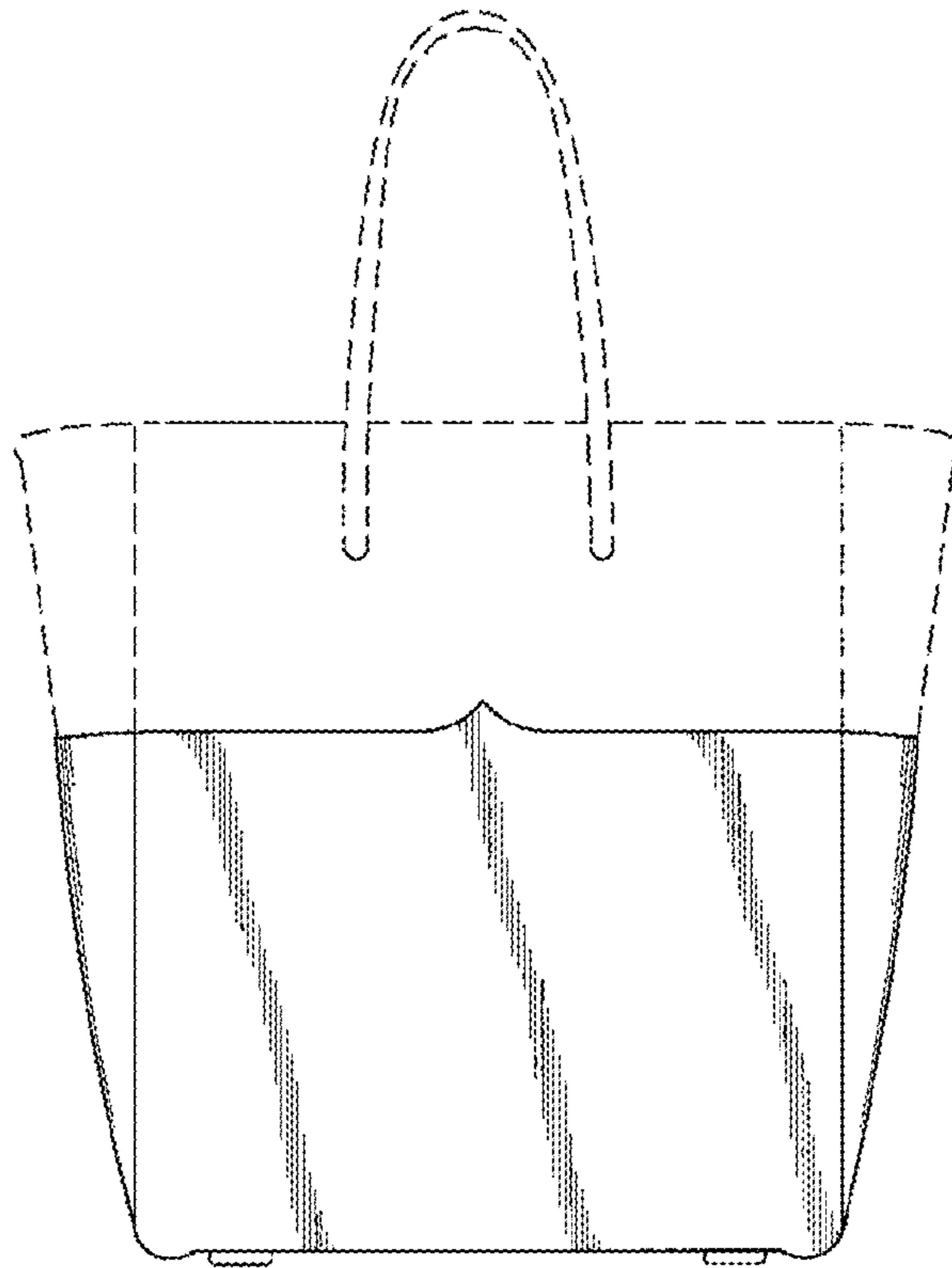


Fig.1

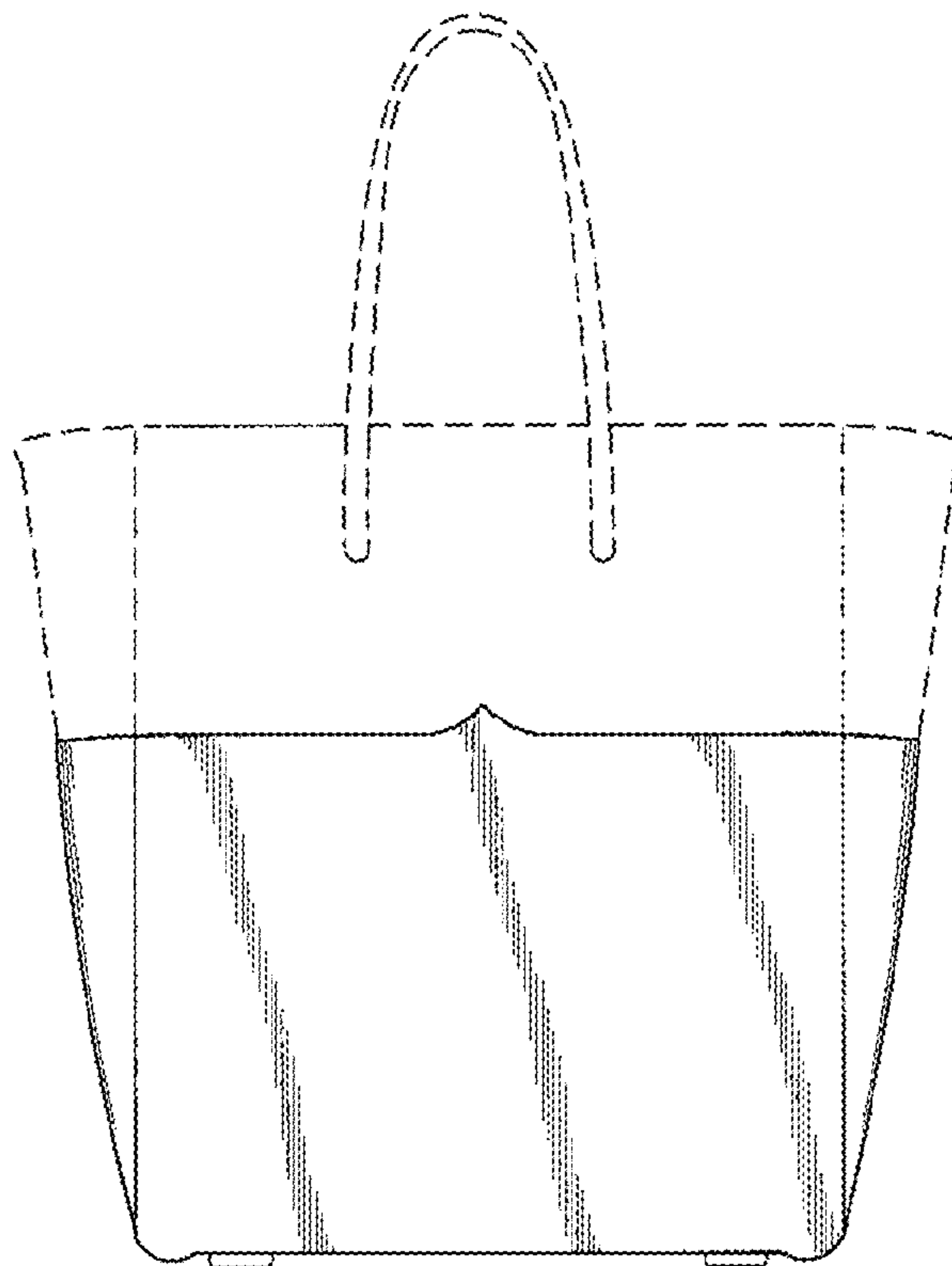


Fig.2

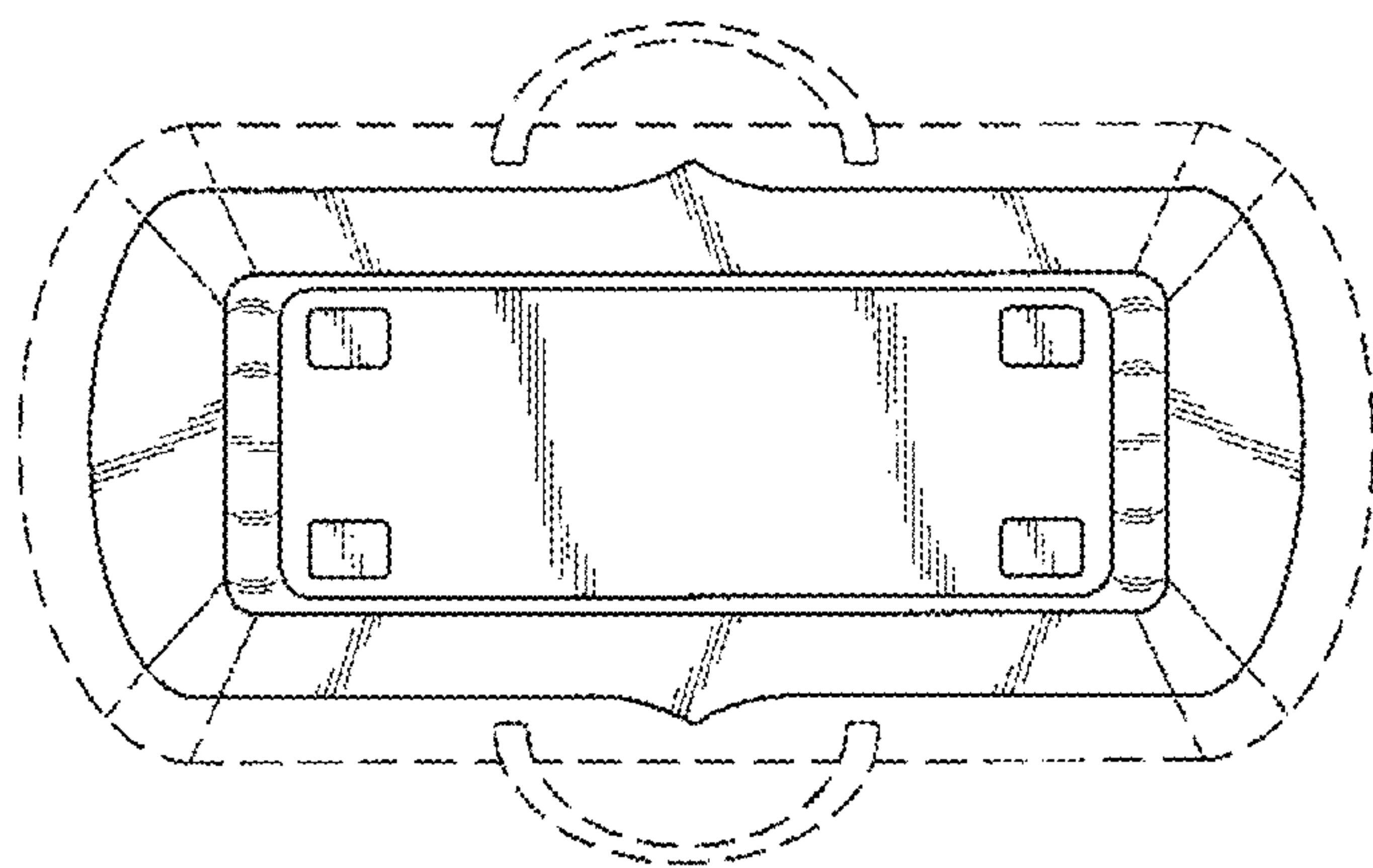


Fig.3

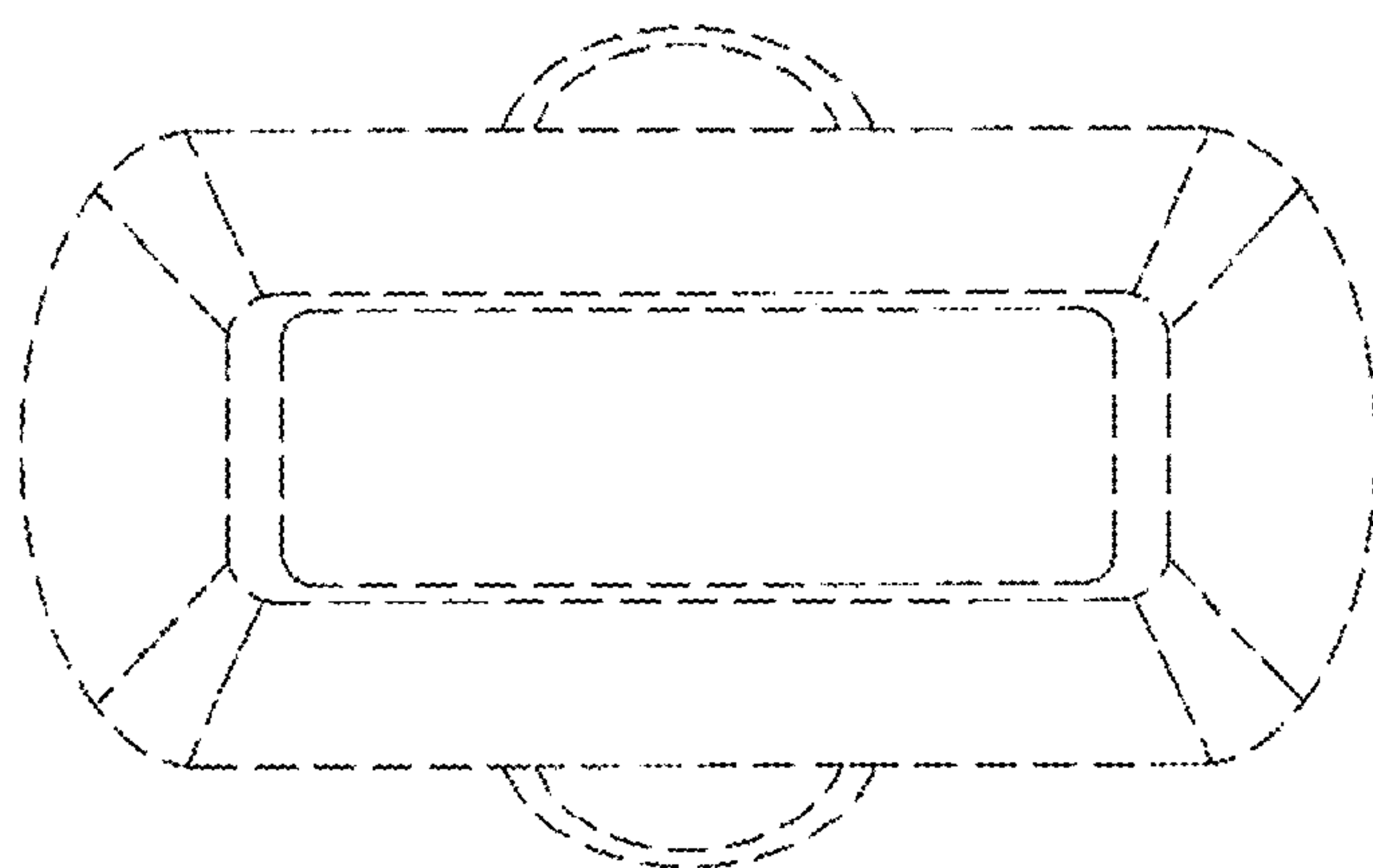


Fig.4

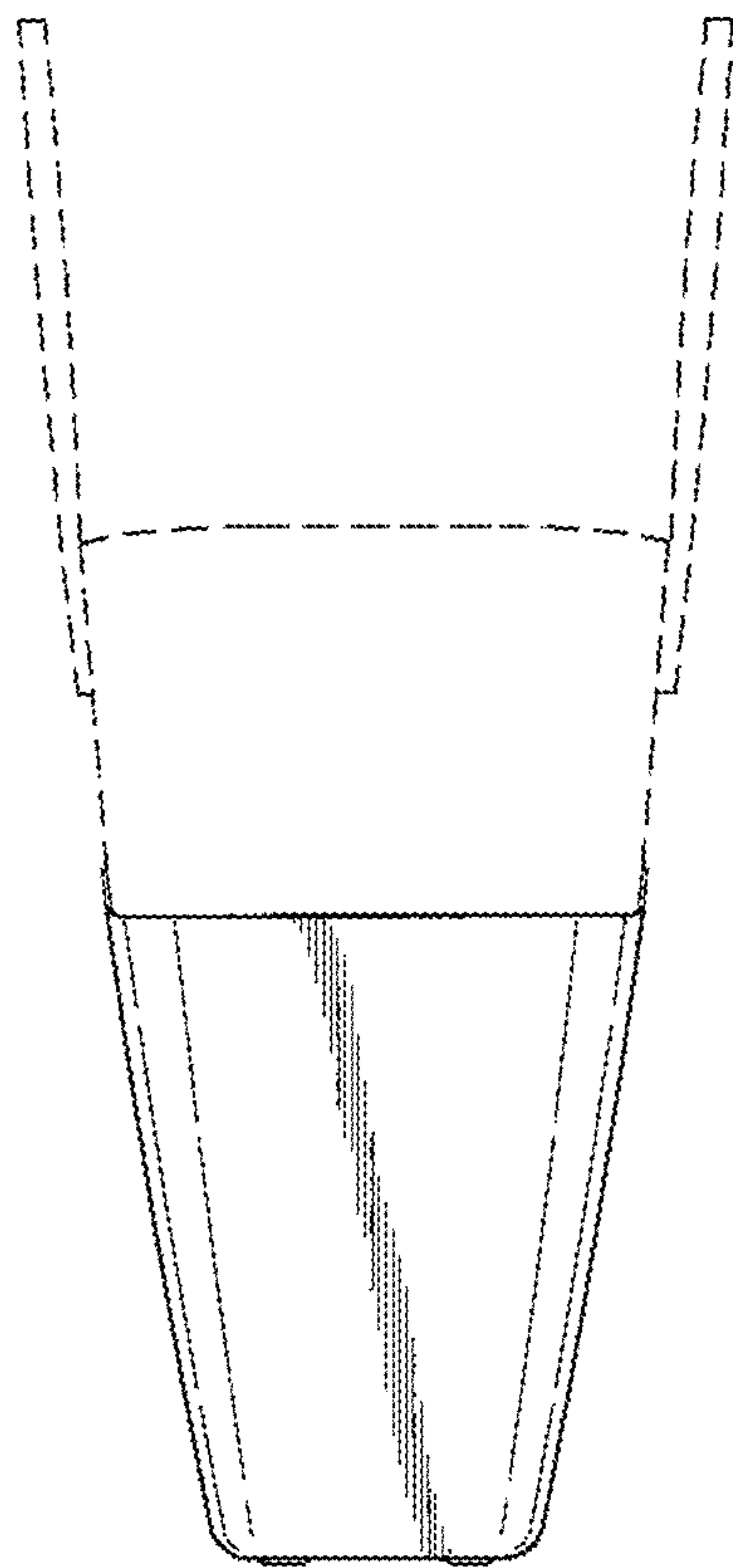


Fig.5

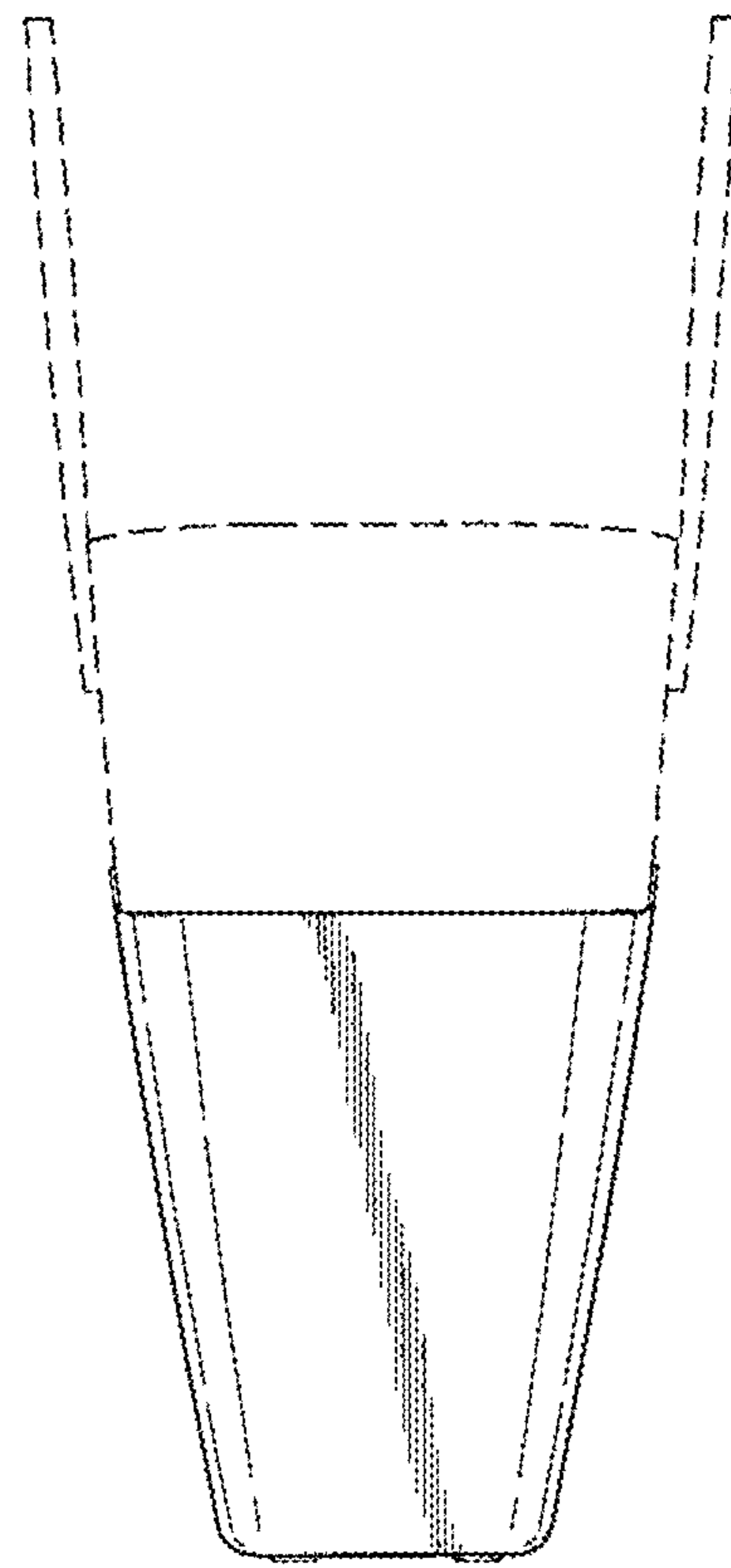


Fig.6

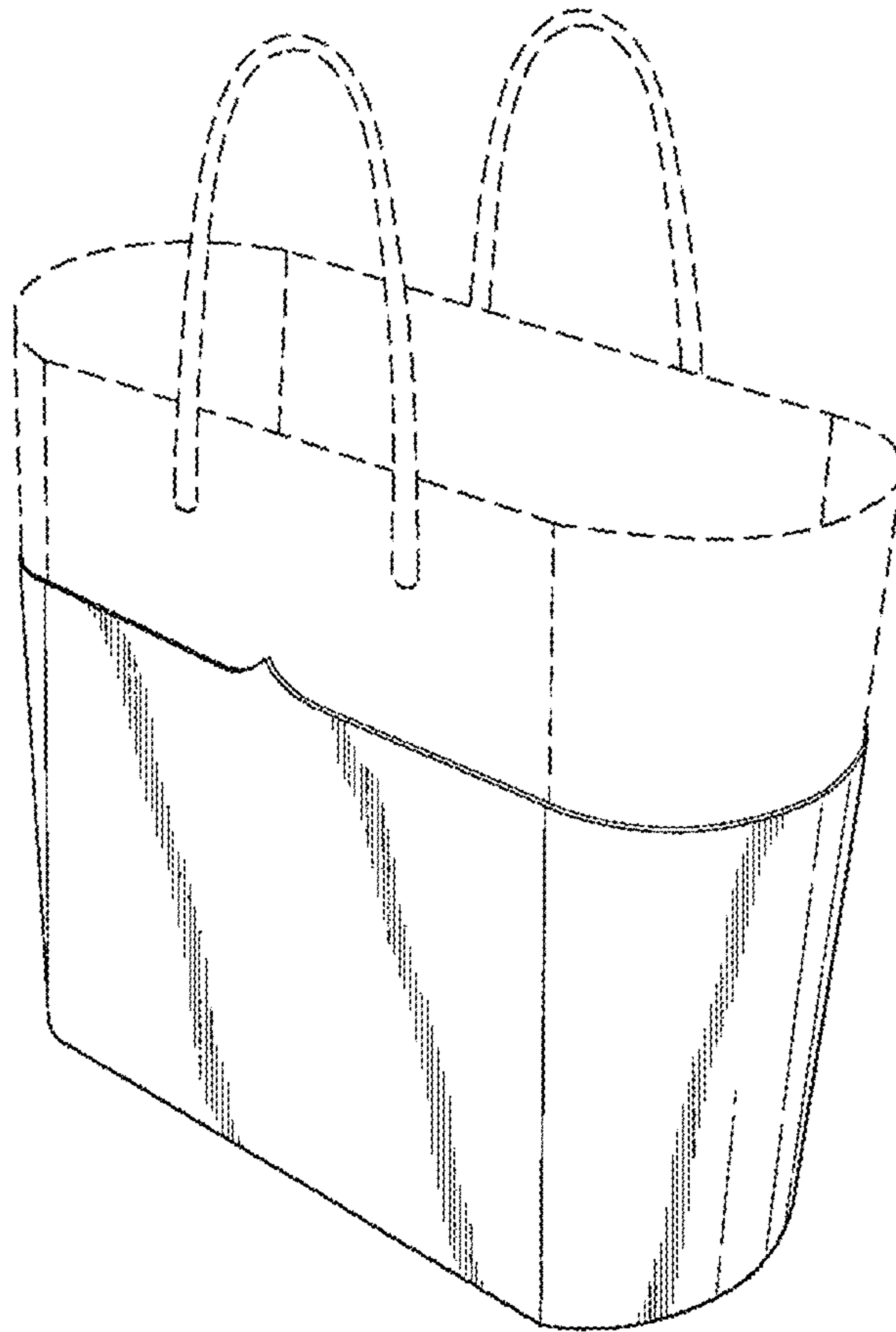


Fig.7