



US00D750376S

(12) **United States Design Patent**  
**Hamilton**

(10) **Patent No.:** **US D750,376 S**  
(45) **Date of Patent:** **\*\* Mar. 1, 2016**

(54) **PORTABLE ARTICLE CARRIER**  
(71) Applicant: **SIMPLE.BE LLC**, Lake Oswego, OR  
(US)

5,147,079 A 9/1992 Heather  
5,184,762 A 2/1993 Nevitt  
D347,522 S 6/1994 Beltran

(Continued)

(72) Inventor: **Brett Hamilton**, Tualatin, OR (US)

FOREIGN PATENT DOCUMENTS

(73) Assignee: **SIMPLE.BE LLC**, Lake Oswego, OR  
(US)

CA 2395918 A1 1/2004

OTHER PUBLICATIONS

(\*\*) Term: **14 Years**

Brett Hamilton, Smart Phone Holster, Sep. 2008 (Public Disclosure),  
Simple.be LLC, Lake Oswego, OR.

(21) Appl. No.: **29/486,462**

(Continued)

(22) Filed: **Mar. 29, 2014**

(51) **LOC (10) Cl.** ..... **03-01**

(52) **U.S. Cl.**  
USPC ..... **D3/303; D3/218**

(58) **Field of Classification Search**  
USPC ..... D3/201, 215, 218-219, 221, 224, 226,  
D3/228-229, 303; 224/148.6, 219, 222,  
224/240, 245-246, 250, 267, 269, 671-675,  
224/236, 575, 930, 587, 197, 217; 294/25,  
294/150; 24/3.12, 16 F, 17 B, 303, 3.2;  
455/575.1-575.8; 206/305, 320;  
D14/250-251

See application file for complete search history.

*Primary Examiner* — Catheri Oliver-Garcia

(74) *Attorney, Agent, or Firm* — Stone Creek Services LLC;  
Alan M Flum

(57) **CLAIM**

The ornamental design for a portable article carrier, as shown  
and described.

**DESCRIPTION**

FIG. 1 is a top, front, and left side perspective view of a  
portable article carrier showing my new design;  
FIG. 2 is a front elevation view thereof;  
FIG. 3 is a rear elevation view thereof;  
FIG. 4 is a left side elevation view thereof;  
FIG. 5 is a right side elevation view thereof;  
FIG. 6 is a top plan view thereof; and,  
FIG. 7 is a bottom plan view thereof.

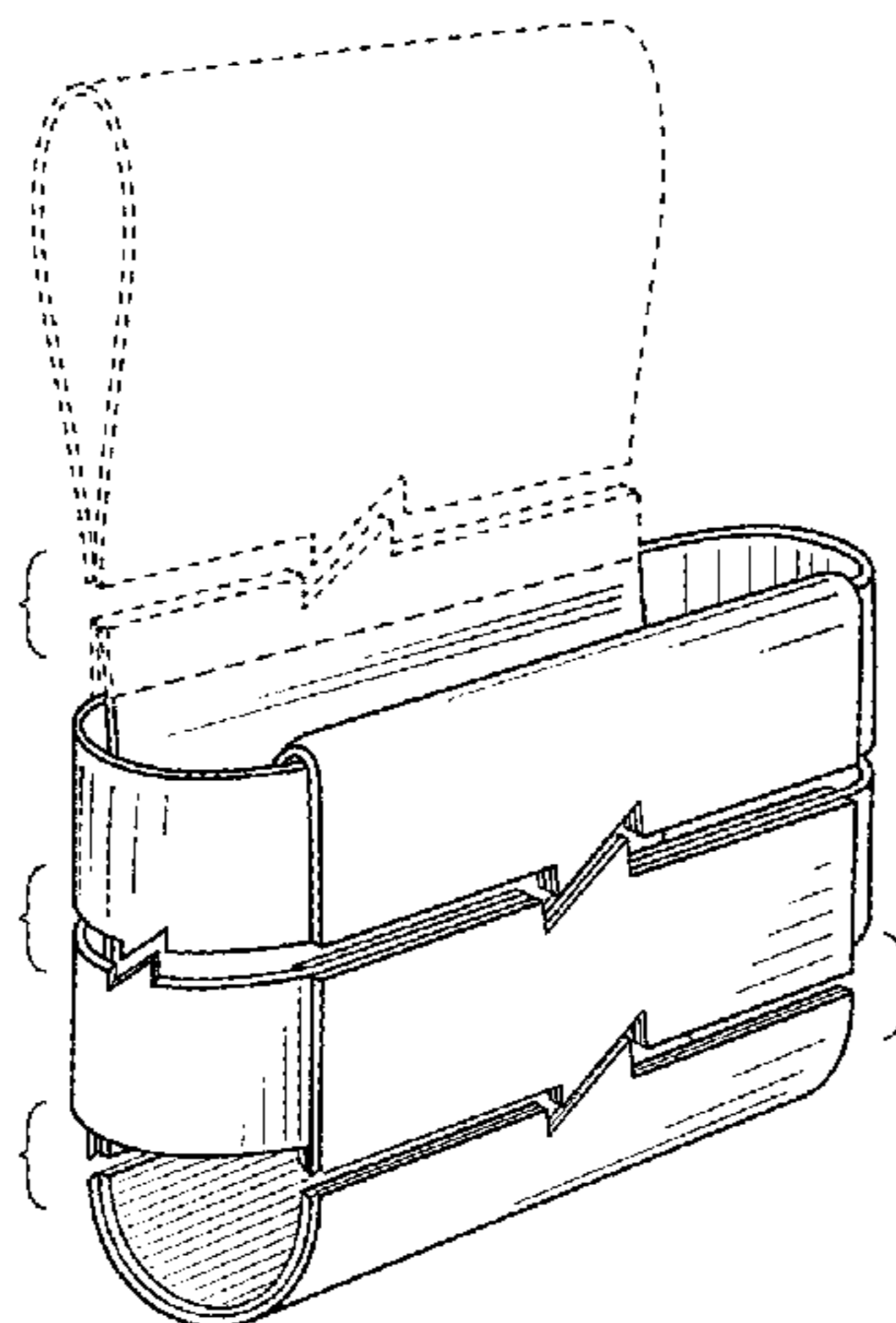
The surface shading illustrated in the drawings is provided  
merely to highlight the contour of the design; it is not intended  
to be illustrative of texture or surface ornamentation. The  
broken lines in FIGS. 1-7 illustrate portions of the portable  
article carrier that form no part of the claimed design. The  
broken away and bracketed portions in FIGS. 1-5 indicate that  
no particular length is claimed for those portions; such lines  
and any portion of the article between such lines form no part  
of the claimed design.

**1 Claim, 4 Drawing Sheets**

(56) **References Cited**

U.S. PATENT DOCUMENTS

551,359 A	12/1885	Braillard
1,816,284 A	7/1931	Hughes
3,127,076 A	3/1964	Tebbs
3,813,017 A	5/1974	Pimsleur
4,057,757 A	11/1977	Darden
D258,021 S	1/1981	Bonaventura
4,399,934 A	8/1983	Dupont
4,420,104 A	12/1983	Dilenno
D275,815 S	10/1984	Dilenno
D281,830 S	12/1985	Hengesbach
D293,857 S	1/1988	Stout et al.
4,982,885 A	1/1991	Severson et al.
5,104,076 A	4/1992	Goodall



(56)

References Cited

U.S. PATENT DOCUMENTS

5,535,928	A	7/1996	Herring	
5,622,346	A	4/1997	Story, Jr.	
5,806,730	A	9/1998	Deno	
D419,392	S	1/2000	Schlebusch	
6,056,174	A	5/2000	Minckler	
6,076,789	A	6/2000	Jackson	
6,081,695	A	6/2000	Wallace et al.	
D437,111	S *	2/2001	Bergh	D3/218
6,321,958	B1	11/2001	Erdmann	
6,412,674	B1	7/2002	Lipke	
D467,069	S	12/2002	TenHoeve	
6,533,150	B1	3/2003	Margo et al.	
D475,850	S *	6/2003	Andre	D3/218
D490,237	S	5/2004	Hardge	
D517,314	S	3/2006	Moyer	
D533,341	S *	12/2006	Infanti	D3/218
D540,031	S	4/2007	Bouchard	
D547,618	S	7/2007	Exler	
D606,299	S *	12/2009	Boomhour	D3/218
7,640,632	B2	1/2010	Lazarus	
D621,618	S *	8/2010	Fahrendorff	D3/303
D654,265	S	2/2012	Roy	
8,162,285	B2	4/2012	Rooker	
D682,544	S	5/2013	Raich	
D691,373	S *	10/2013	Irvine	D3/218
8,573,458	B1	11/2013	Hamilton	
D705,535	S *	5/2014	Stapleton	D3/218
D711,753	S *	8/2014	Moreau	D3/303
2007/0205244	A1	9/2007	Hewes, Jr.	
2008/0121673	A1	5/2008	Timm et al.	
2009/0127304	A1	5/2009	Uygur	

OTHER PUBLICATIONS

Revised Pre-Examination Search Docket, U.S. Appl. No. 13/803,532, Attachable Portable Article Carrier, Inventor: Brett Hamilton, Apr. 30, 2013, United States Patent and Trademark Office, Alexandria, VA.

Revised Accelerated Examination Support Document, U.S. Appl. No. 13/803,532, Attachable Portable Article Carrier, Inventor: Brett Hamilton, Apr. 30, 2013, United States Patent and Trademark Office, Alexandria, VA.

Non-Final Office Action, U.S. Appl. No. 13/803,532, Attachable Portable Article Carrier, Inventor: Brett Hamilton, Inventor: Brett Hamilton, Jun. 6, 2012, United States Patent and Trademark Office, Alexandria, VA.

Response to Non-Final Action, U.S. Appl. No. 13/803,532, Attachable Portable Article Carrier, Inventor: Brett Hamilton, Jul. 2, 2012, United States Patent and Trademark Office, Alexandria, VA.

Notice of Allowance, U.S. Appl. No. 13/803,532, Attachable Portable Article Carrier, Inventor: Brett Hamilton, Jul. 23, 2012, United States Patent and Trademark Office, Alexandria, VA.

"Portable Article Carrier", Unpublished U.S. Appl. No. 14/050,315, Inventor: Brett Hamilton, Applicant: Simple.be LLC, Filing Date: Oct. 9, 2013, United States Patent and Trademark Office, Alexandria, VA.

"Carrier for Portable Articles", Unpublished U.S. Appl. No. 14/074,493, Inventor: Brett Hamilton, Applicant: Simple.be LLC, Filing Date: Nov. 7, 2013, United States Patent and Trademark Office, Alexandria, VA.

Bagaboo Cellphone Holster, accessed on the Internet at: <http://www.bagaboo.hu/en/catalogue/cell-phone-holster> on Nov. 22, 2013.

Archive Cell Holster V.2, accessed on the Internet at: <http://archivebag.com/holster.html#holster1> on Nov. 22, 2013.

Brett Hamilton, Photos of Smart Phone Holster in Four Views, public use on Jan. 2008, Simple.be LLC, Lake Oswego, OR.

"Portable Article Carrier", Unpublished U.S. Appl. No. 29/478,197, Inventor: Brett Hamilton, Applicant: Simple.be LLC, Filing Date: Feb. 14, 2014, United States Patent and Trademark Office, Alexandria, VA.

"Portable Article Carrier", Unpublished U.S. Appl. No. 29/478,200, Inventor: Brett Hamilton, Applicant: Simple.be LLC, Filing Date: Feb. 14, 2014, United States Patent and Trademark Office, Alexandria, VA.

"Portable Article Carrier", Unpublished U.S. Appl. No. 29/478,205, Inventor: Brett Hamilton, Applicant: Simple.be LLC, Filing Date: Feb. 14, 2014, United States Patent and Trademark Office, Alexandria, VA.

"Portable Article Carrier", Unpublished U.S. Appl. No. 29/478,208, Inventor: Brett Hamilton, Applicant: Simple.be LLC, Filing Date: Feb. 14, 2014, United States Patent and Trademark Office, Alexandria, VA.

"Portable Article Carrier", Unpublished U.S. Appl. No. 29/478,216, Inventor: Brett Hamilton, Applicant Simple.be LLC, Filing Date: Feb. 14, 2014, United States Patent and Trademark Office, Alexandria, VA.

Maxpedition CPM, accessed on the Internet at: <http://www.maxpedition.com/store/pd/CP-M-8p2.htm> on Jan. 2, 2013.

Maxpedition #0109, accessed on the Internet at: <http://www.maxpedition.com/store/pc/4-5-CLIP-ON-PHONE-HOLSTER-p441.htm> on Jan. 2, 2013.

Maxpedition 3.5" Clip-on Phone Holster, accessed on the Internet at: <http://www.maxpedition.com/store/pc/3-5-CLIP-ON-PHONE-HOLSTER-p413.htm> on Jan. 2, 2013.

SumoStrap Assembly Instructions, pp. 1-2, Estimated Date of Publication: as early as Jan. 1, 2004, Fastcap Inc., Bellingham, WA.

Innovation, Fastcap 2004 Catalog, p. 14, Jan. 1, 2004, Fastcap Inc., Bellingham, WA.

Heavy-Duty Phone Holder by Dewalt, accessed on the Internet at: <http://www.constructiongear.com/dewalt-heavy-duty-cell-phone-holder-5126.html> on Jan. 4, 2013.

Belt Cell Phone/Camera Holder, accessed on the Internet at: <http://www.reliableracing.com/detail.cfm?edp=10927572> on Jan. 5, 2013.

SwimAndTri: Fuel Belt Cell phone holder, accessed on the Internet at: [http://www.swimandtri.com/Scripts/Fuel\\_Belt\\_Cell\\_phone\\_holder\\_Product341.aspx](http://www.swimandtri.com/Scripts/Fuel_Belt_Cell_phone_holder_Product341.aspx) on Jan. 5, 2013.

McGuire-Nicholas Cell Rider Cell Phone Holder at The Home Depot, accessed on the Internet at: <http://www.homedepot.com/buy/mcguire-nicholas-cellrider-cell-phone-holder-31509.html#> UOj0AYmEEoY on Jan. 5, 2013.

Holster Pouch, accessed on the Internet at: [www.boxwave.com/holsters/holster-pouch/bwpds/pw/](http://www.boxwave.com/holsters/holster-pouch/bwpds/pw/) on Mar. 1, 2013.

Heavy Guard PDA Pouch with Belt Clip, accessed on the Internet at: <http://www.militaryuniformsupply.com/pda-pouch-with-belt-clip> on Jan. 2, 2013.

Seidio Horizontal Leather Case, accessed on the Internet at: [www.seidioonline.com/blackberry-pearl-8100-horizontal-leather-case-p/d-csl3bb8100-hc.htm](http://www.seidioonline.com/blackberry-pearl-8100-horizontal-leather-case-p/d-csl3bb8100-hc.htm) on Mar. 1, 2013.

Clearing Clutter in Cars, Jan. 22, 2004, The Early Show, CBSNews.com, accessed on the Internet at: [web.archive.org/web/20040810150547/http://www.cbsnews.com/stories/2004/06/21/earlyshow/living/main625174.shtml](http://web.archive.org/web/20040810150547/http://www.cbsnews.com/stories/2004/06/21/earlyshow/living/main625174.shtml) on Mar. 4, 2013.

Galls: Phone Holders, accessed on the Internet at: [www.galls.com/CGBCSRCH?PMWTNO=00000000001577](http://www.galls.com/CGBCSRCH?PMWTNO=00000000001577) on Mar. 1, 2013.

"Portable Article Carrier", Unpublished U.S. Appl. No. 29/507,873, Inventor: Brett Hamilton, Applicant: Simple.be LLC, Filing Date: Oct. 31, 2014, United States Patent and Trademark Office, Alexandria, VA.

"Portable Article Carrier", Unpublished U.S. Appl. No. 29/507,876, Inventor: Brett Hamilton, Applicant: Simple.be LLC, Filing Date: Oct. 31, 2014, United States Patent and Trademark Office, Alexandria, VA.

\* cited by examiner

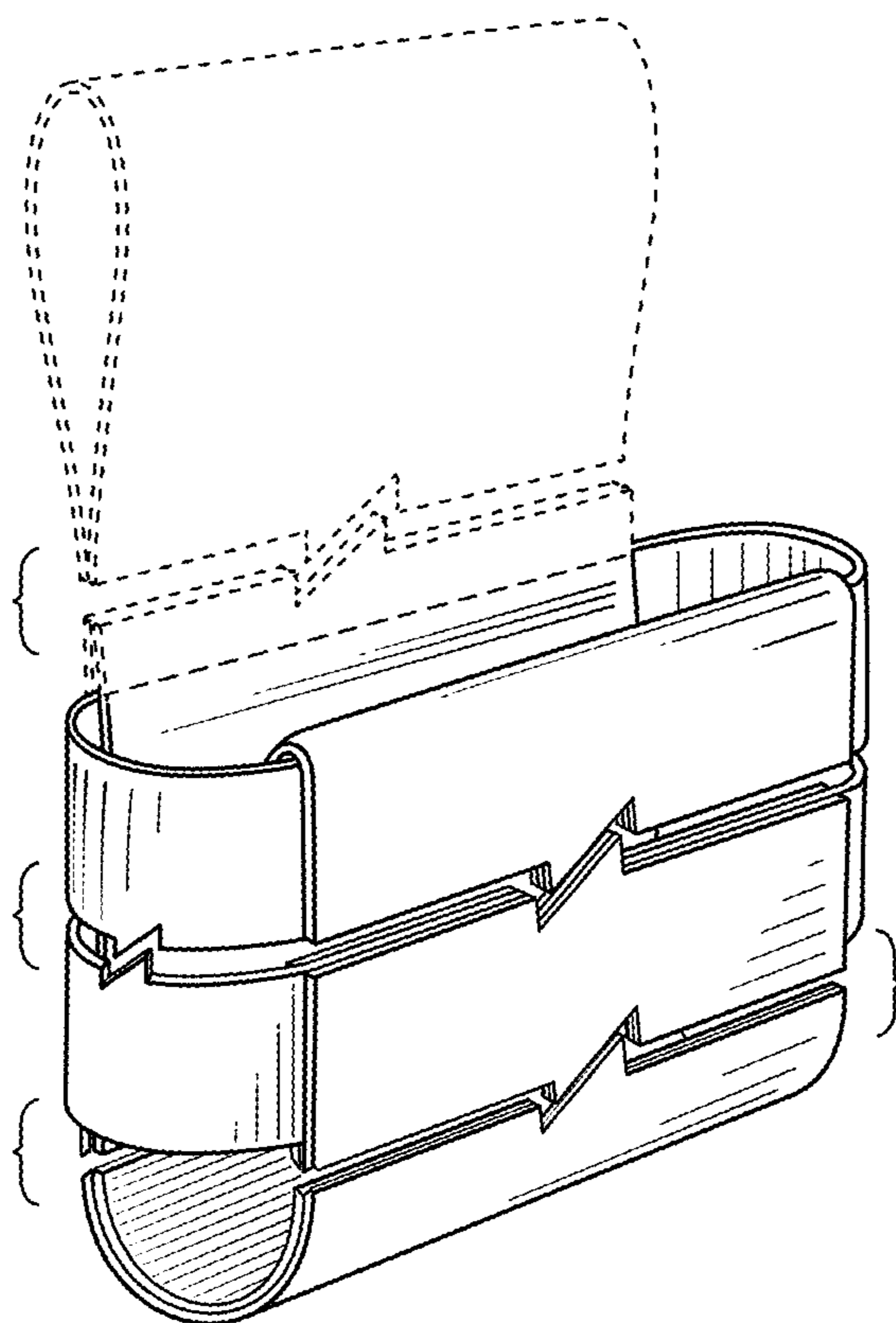
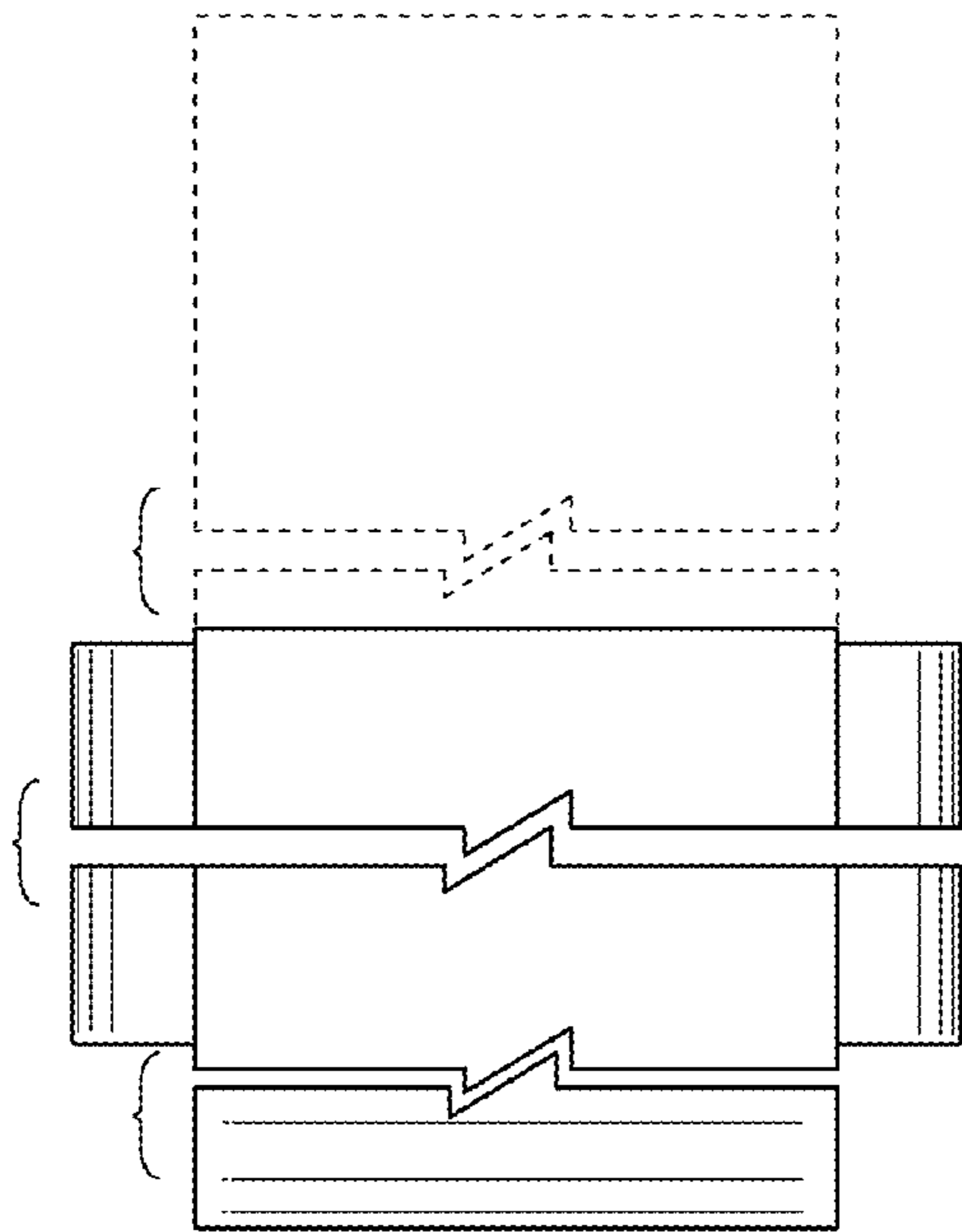
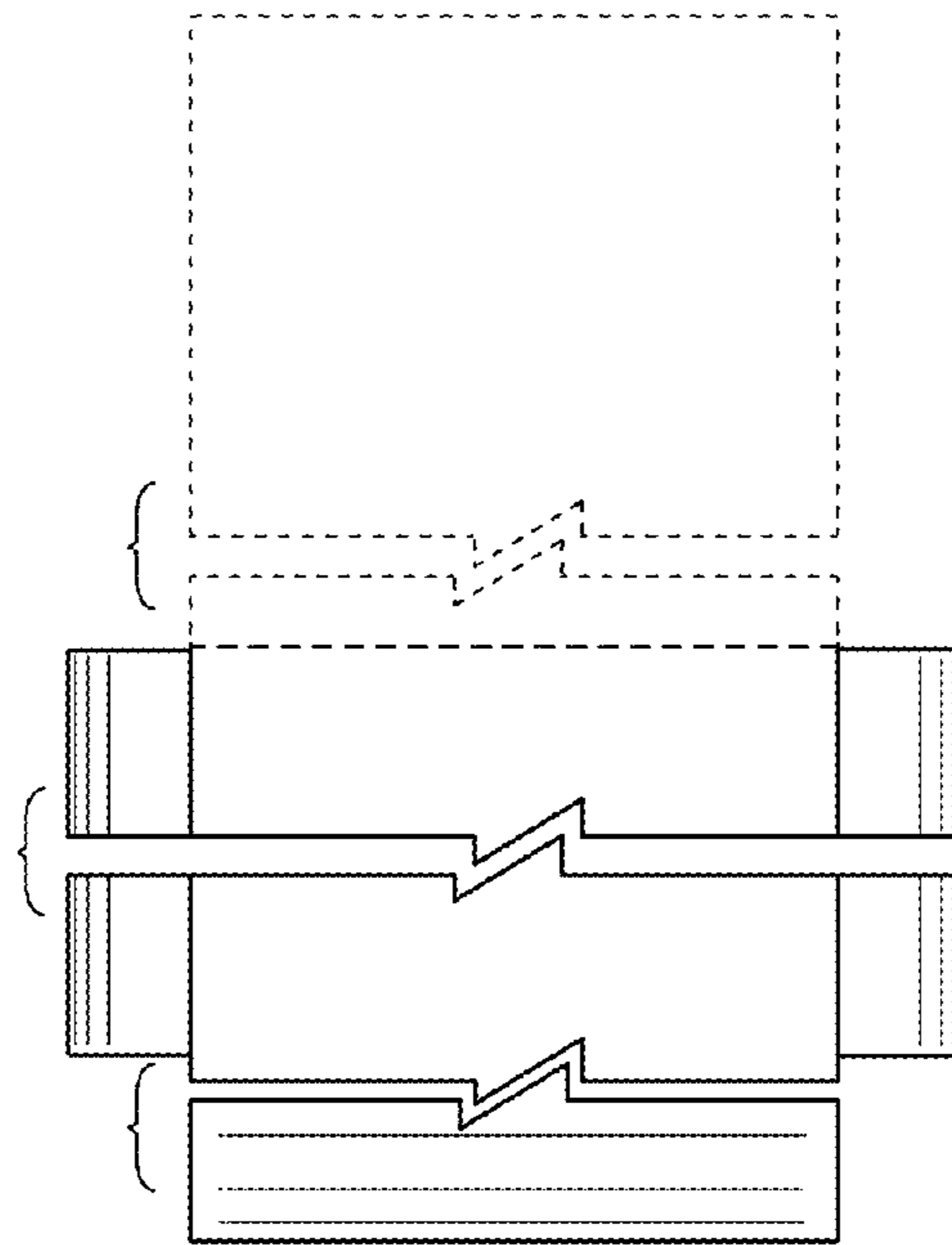


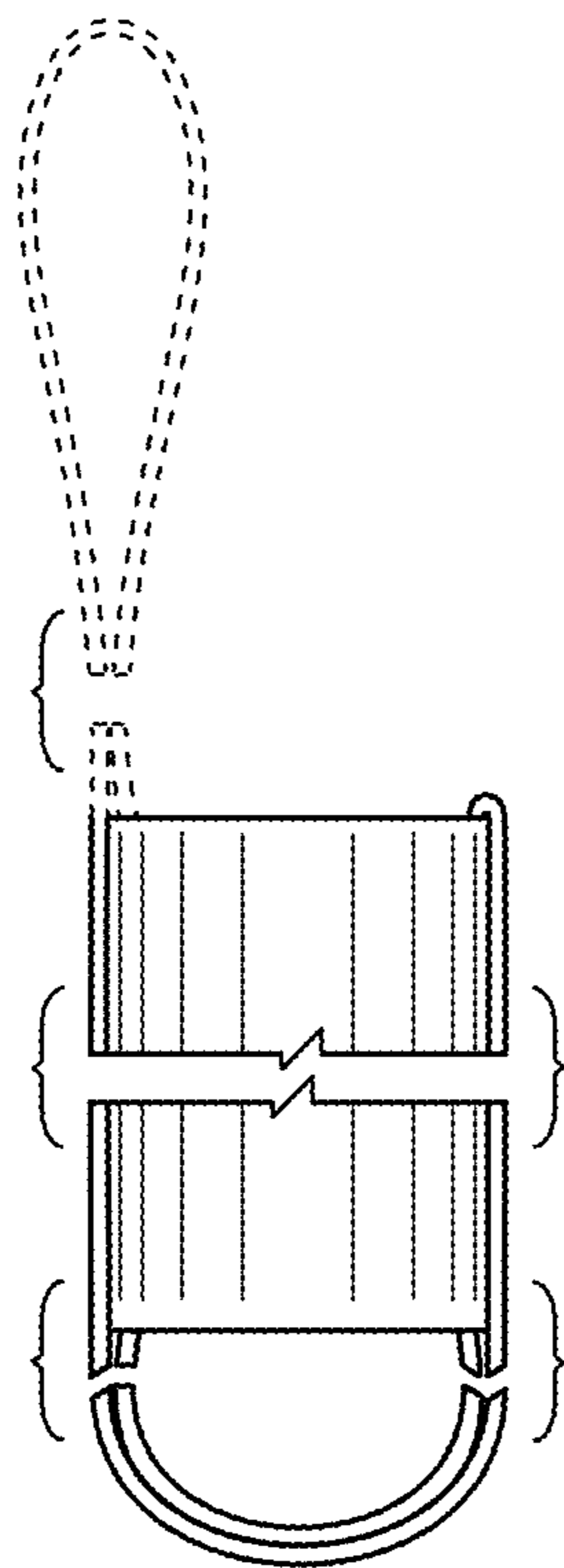
FIG. 1



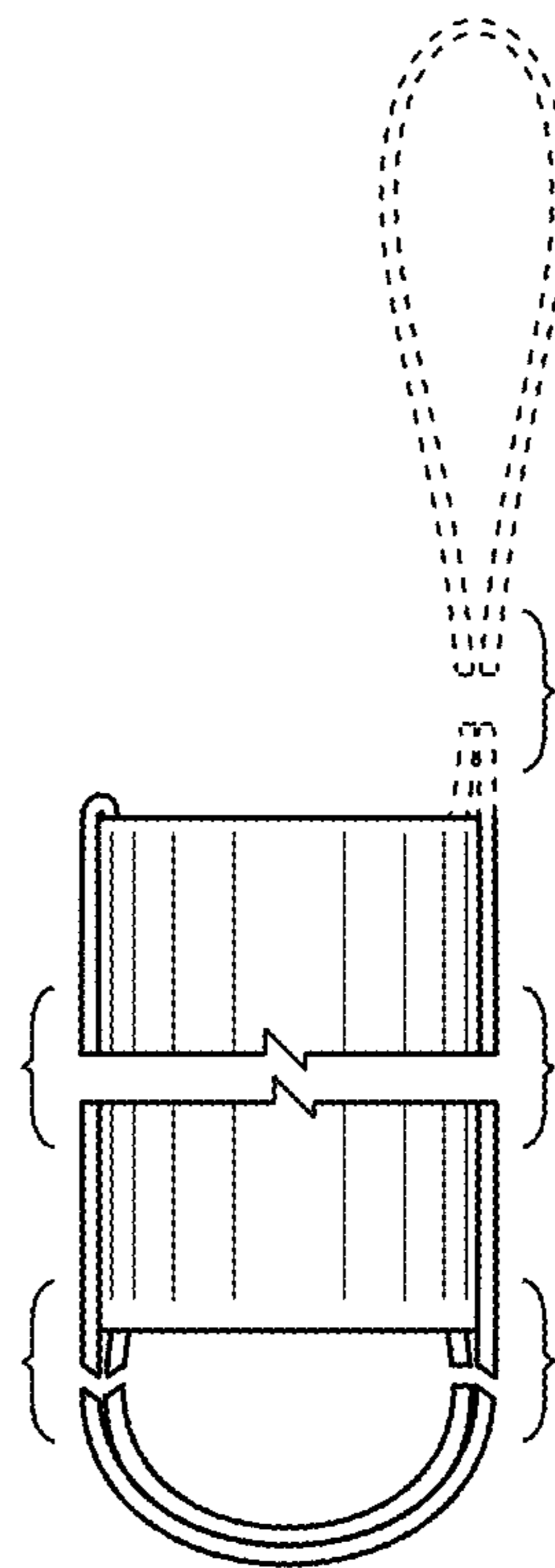
**FIG. 2**



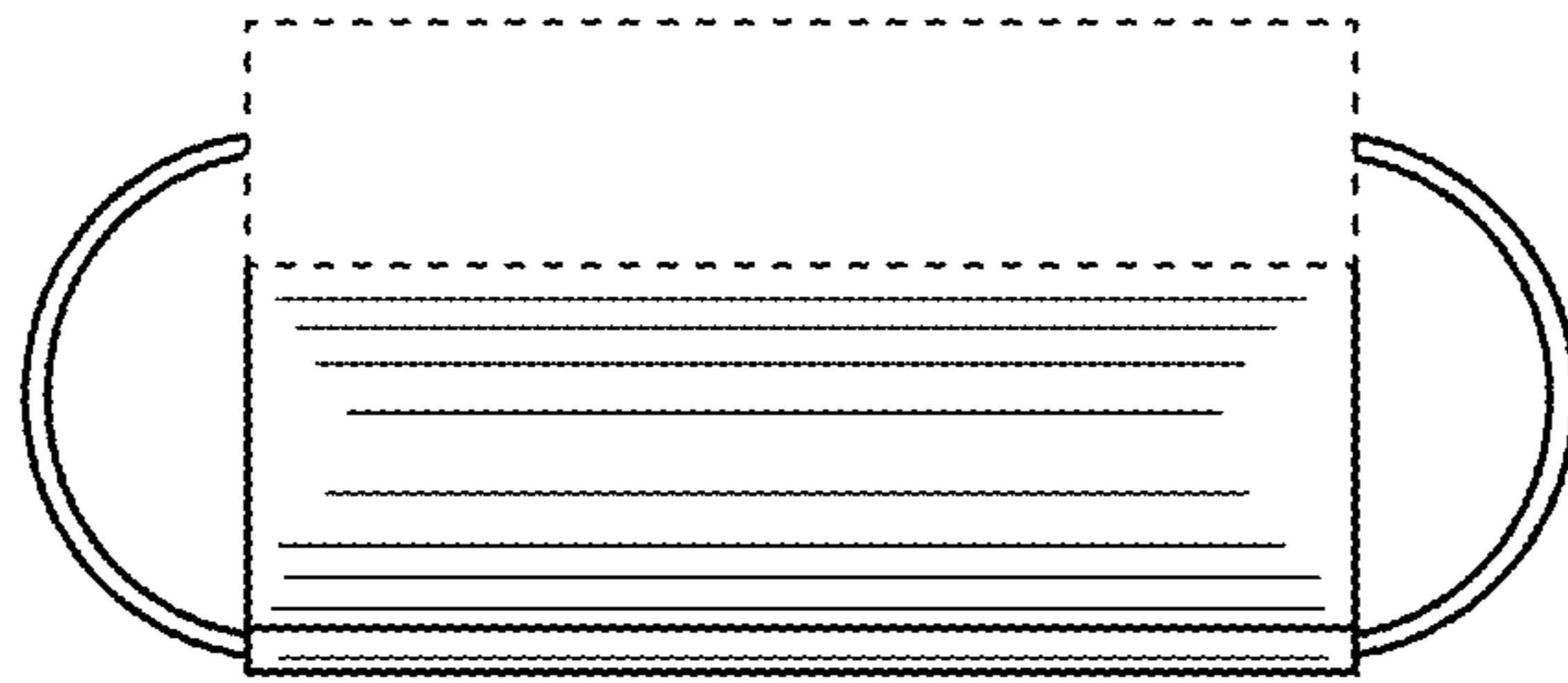
**FIG. 3**



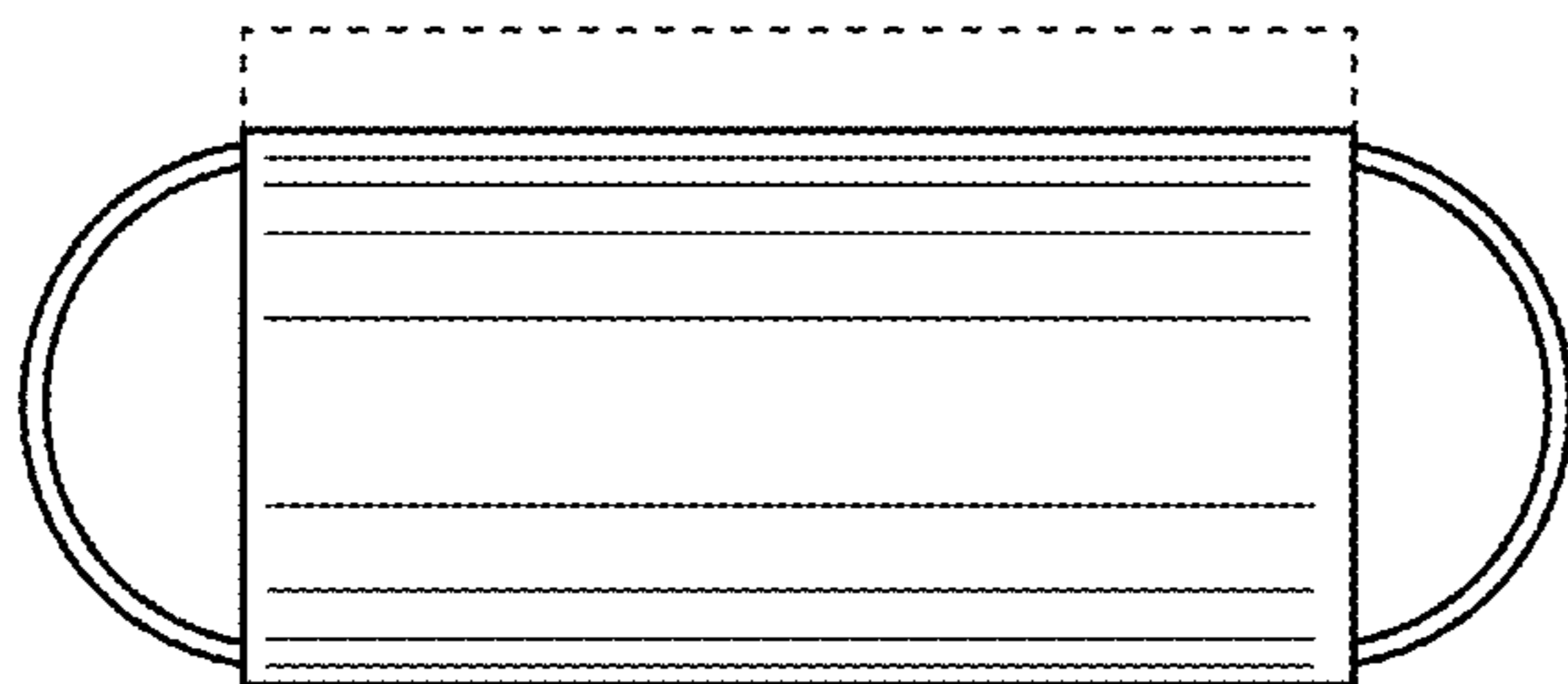
**FIG. 4**



**FIG. 5**



**FIG. 6**



**FIG. 7**