



US00D750372S

(12) **United States Design Patent**
Slimane

(10) **Patent No.:** **US D750,372 S**
(45) **Date of Patent:** **** Mar. 1, 2016**

(54) **HANDBAG**

(71) Applicant: **YVES SAINT LAURENT**, Paris (FR)
(72) Inventor: **Hedi Slimane**, City of West Hollywood,
CA (US)
(73) Assignee: **YVES SAINT LAURENT**, Paris (FR)

(**) Term: **14 Years**

(21) Appl. No.: **29/500,079**

(22) Filed: **Aug. 21, 2014**

(51) **LOC (10) Cl.** **03-01**

(52) **U.S. Cl.**

USPC **D3/232**

(58) **Field of Classification Search**

USPC D3/218, 227, 232–233, 239, 240–243,
D3/245, 289, 301, 303, 318, 323, 327, 328,
D3/900; D8/97, 107, 300, 303, 313, 314,
D8/321; D15/5, 18

CPC Y10T 24/2586; Y10T 24/2589; Y10T
24/257; Y10T 24/25; A44B 19/262; A44B
19/26; A44B 19/00; A41F 1/008; A41D
2300/322; A45C 11/324

See application file for complete search history.

(56) **References Cited**

U.S. PATENT DOCUMENTS

D624,750	S	*	10/2010	Della Valle	D3/232
D688,453	S	*	8/2013	Della Valle	D3/246
D691,798	S	*	10/2013	Venturini Fendi	D3/232
D694,006	S	*	11/2013	Della Valle	D3/245
D703,430	S	*	4/2014	Della Valle	D3/232
D729,514	S	*	5/2015	Della Valle	D3/232
D734,025	S	*	7/2015	Sassi	D3/232

* cited by examiner

Primary Examiner — Robert M Spear

Assistant Examiner — Eliza Bennett-Hattan

(74) *Attorney, Agent, or Firm* — Donald J. Ranft; Kristen A. Mogavero; Collen IP

(57) **CLAIM**

The ornamental design for a handbag, as shown and described.

DESCRIPTION

FIG. 1 is a front left perspective view of a handbag showing my new design;
FIG. 2 is a front view thereof;
FIG. 3 is a rear view thereof;
FIG. 4 is a left side view thereof;
FIG. 5 is a right side view thereof;
FIG. 6 is a top open view thereof;
FIG. 7 is a top closed view thereof; and,
FIG. 8 is a rear left perspective view thereof.
The broken lines in the drawing depict environmental subject matter only and form no part of the claimed design.

1 Claim, 6 Drawing Sheets





FIG. 1

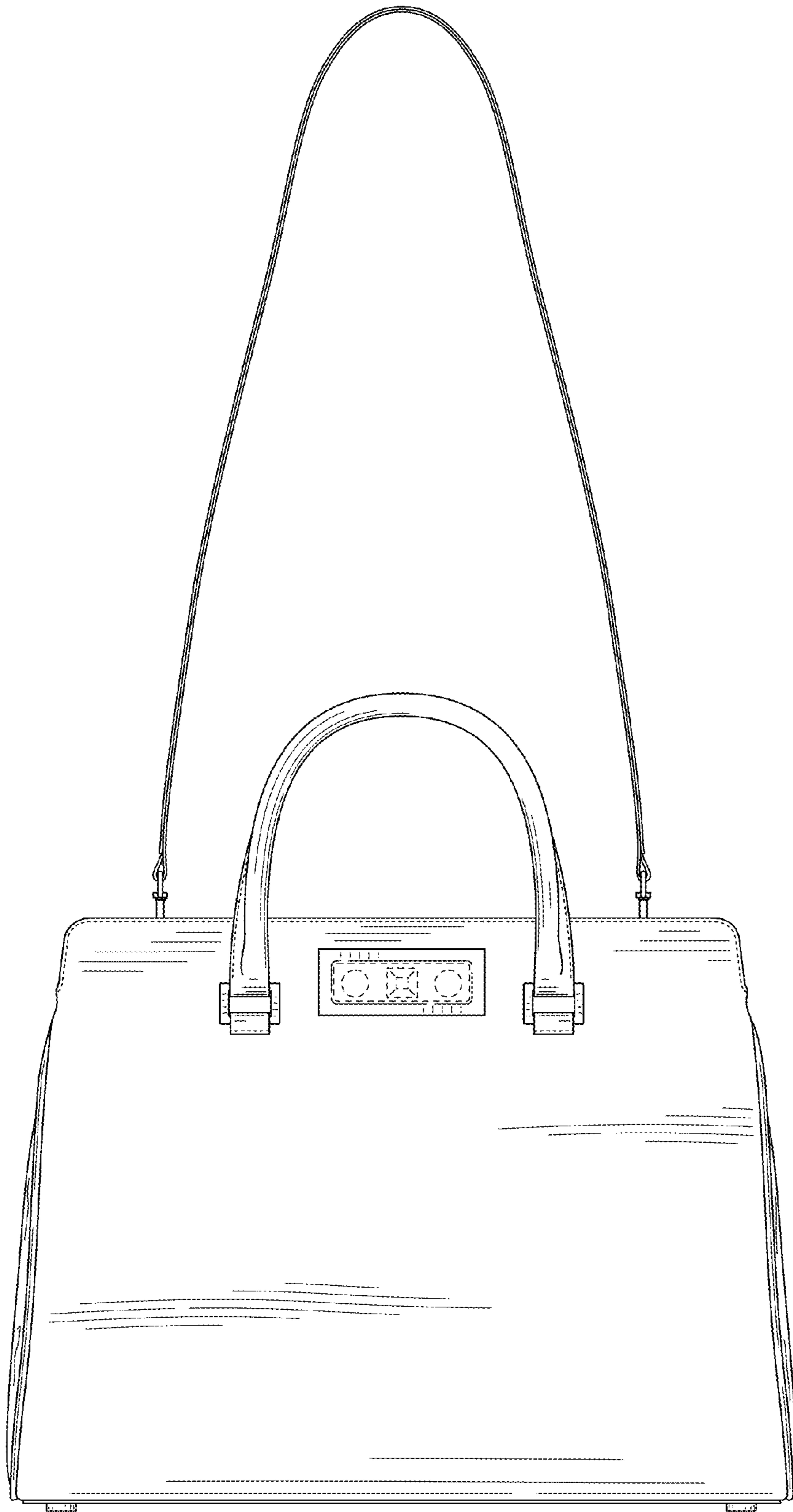


FIG. 2



FIG. 3

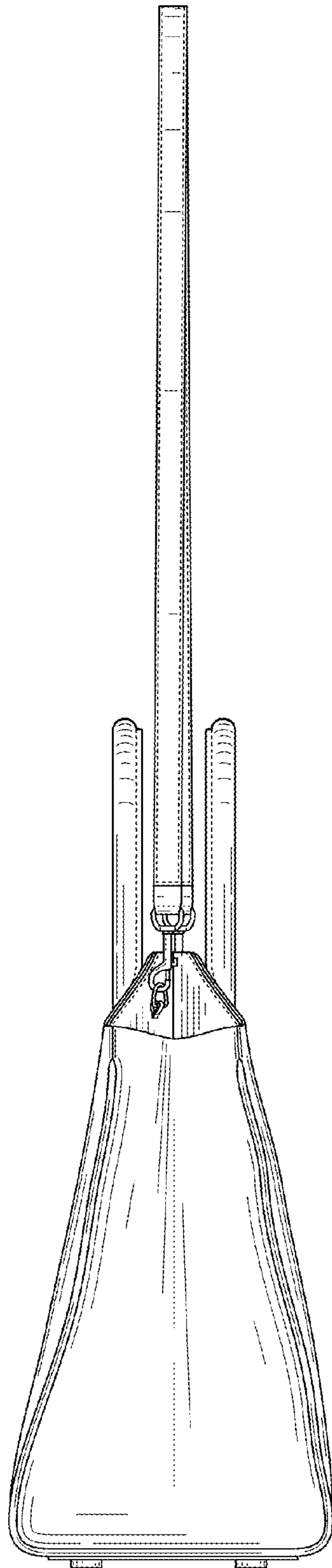


FIG. 4

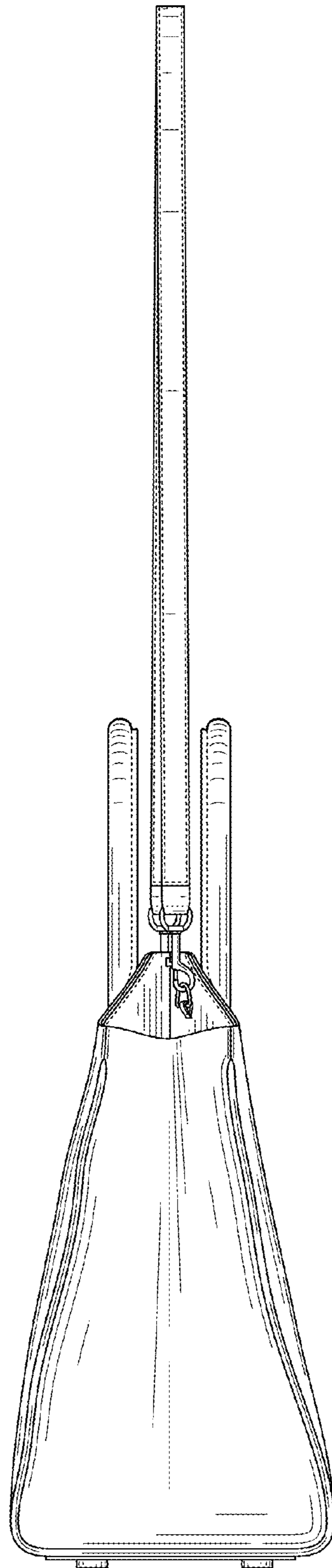


FIG. 5

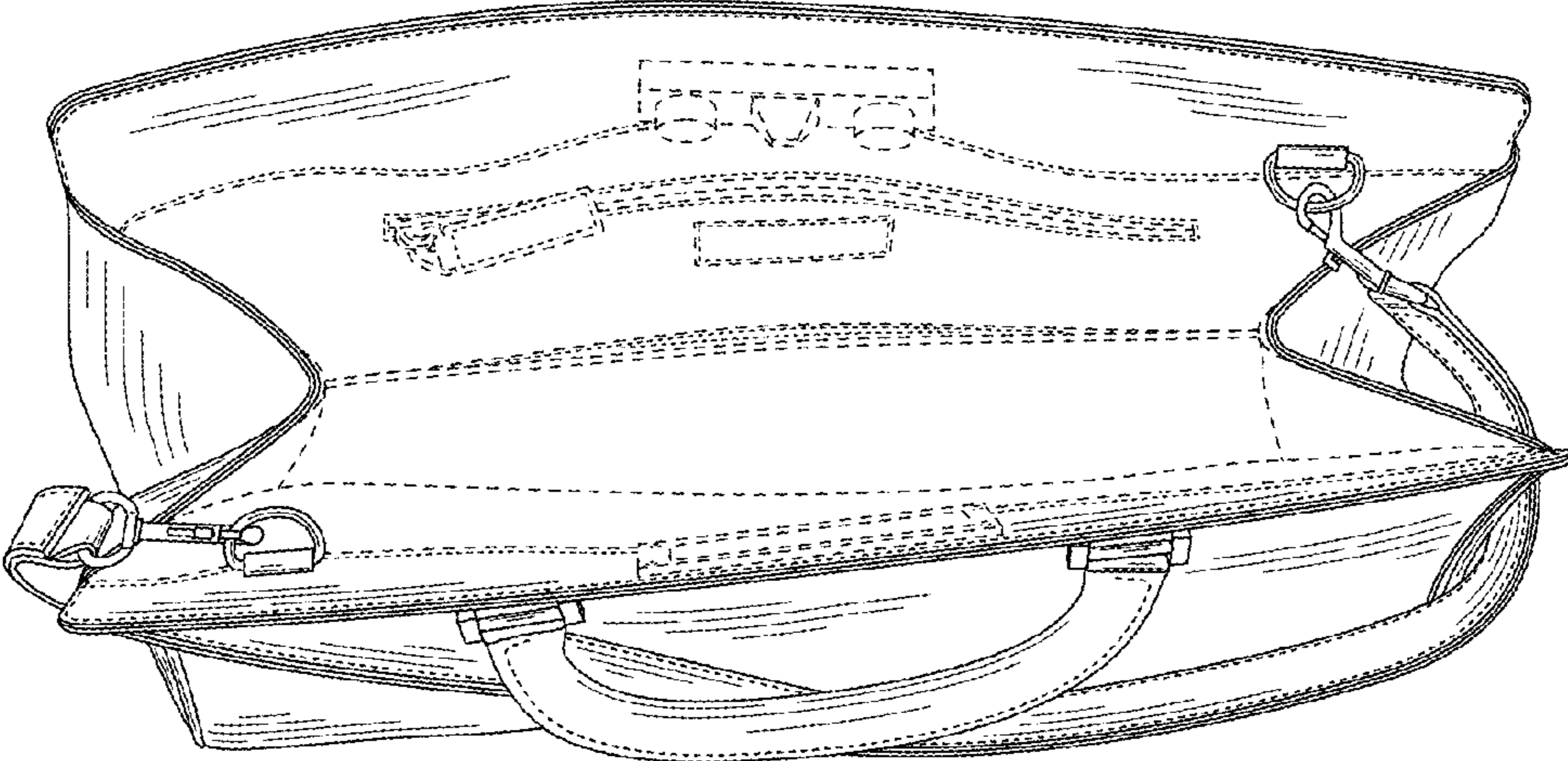


FIG. 6

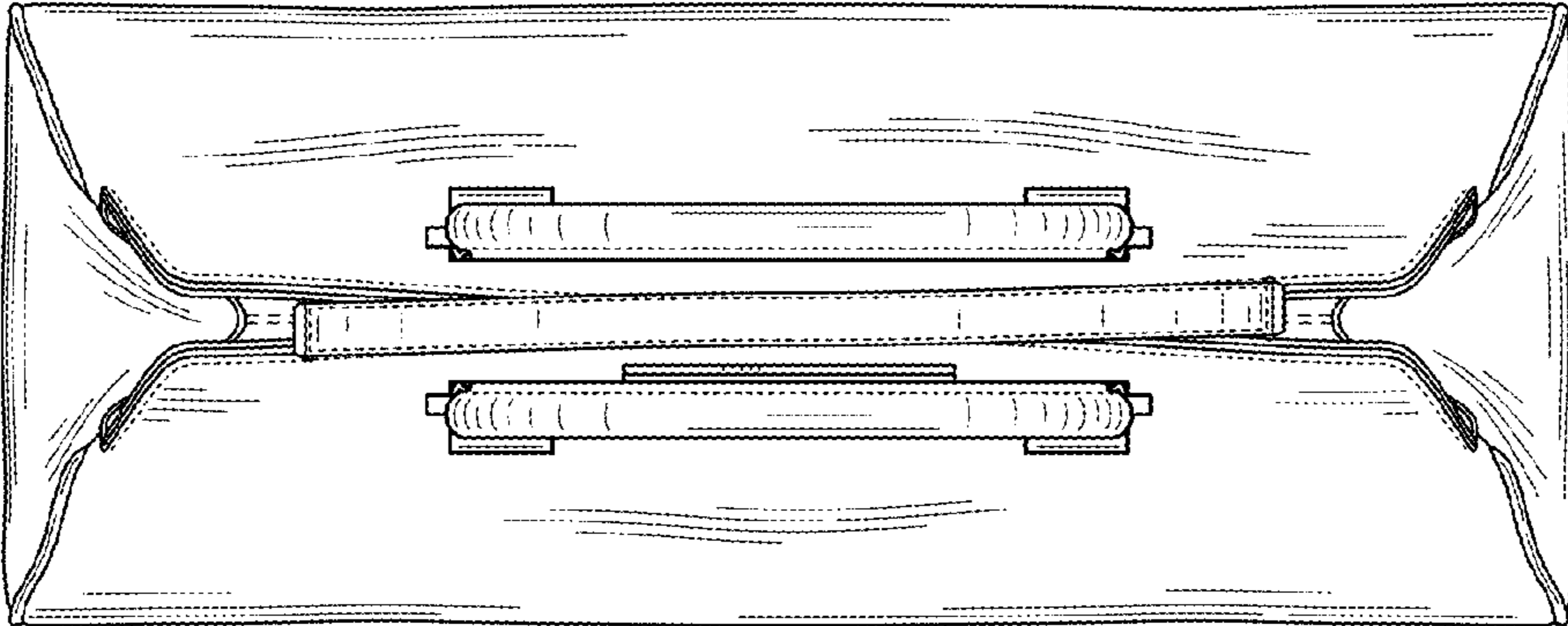


FIG. 7



FIG. 8