



US00D750371S

(12) **United States Design Patent**  
**Kinskey**

(10) **Patent No.:** **US D750,371 S**  
(45) **Date of Patent:** **\*\* Mar. 1, 2016**

- (54) **TOOL BELT WITH NON-TWISTING D-RINGS**
- (71) Applicant: **LF Centennial Ltd.**, Road Town, Tortola (VG)
- (72) Inventor: **Terrence P. Kinskey**, Alpharetta, GA (US)
- (73) Assignee: **LF CENTENNIAL LTD.**, Road Town, Tortola (VG)

5,497,923 A 3/1996 Pearson et al.  
 D371,456 S \* 7/1996 Champlin ..... D3/224  
 5,605,112 A 2/1997 Schuman  
 5,733,014 A 3/1998 Murray  
 5,799,851 A 9/1998 Wulf et al.  
 5,890,639 A 4/1999 Hancock et al.  
 5,941,438 A \* 8/1999 Price ..... A41F 9/002  
 224/660  
 5,971,101 A 10/1999 Taggart  
 (Continued)

(\*\*) Term: **14 Years**  
 (21) Appl. No.: **29/491,537**

**FOREIGN PATENT DOCUMENTS**

CA 2120539 10/1995

- (22) Filed: **May 22, 2014**
- (51) **LOC (10) Cl.** ..... **03-01**
- (52) **U.S. Cl.**  
USPC ..... **D3/228**
- (58) **Field of Classification Search**  
USPC ..... D3/228, 215, 221, 224, 226; 224/197,  
224/250–251, 660, 904, 223, 268, 663, 677,  
224/682, 662, 665, 672; 2/315;  
D2/627–631, 860–861, 864  
See application file for complete search history.

**OTHER PUBLICATIONS**

Two photographs of belt with non-twisting D-rings (May 21, 2014).

*Primary Examiner* — Catheri Oliver-Garcia  
 (74) *Attorney, Agent, or Firm* — Duane Morris LLP; J. Rodman Steele, Jr.; Gregory M. Lefkowitz

(56) **References Cited**

**U.S. PATENT DOCUMENTS**

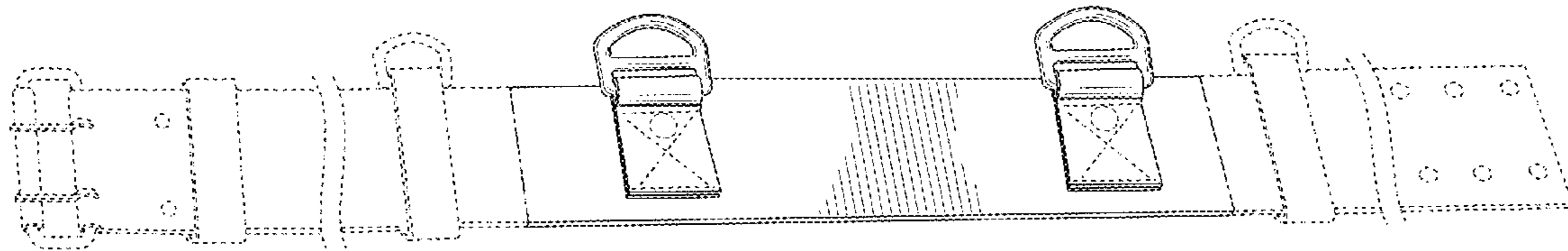
1,600,027 A \* 9/1926 Welsand ..... A62B 35/00  
224/223  
 1,716,689 A \* 6/1929 Freemark ..... A62B 35/00  
D2/628  
 4,390,116 A 6/1983 Fehr  
 4,953,768 A 9/1990 Muse  
 5,203,829 A 4/1993 Fisk et al.  
 5,228,412 A 7/1993 Bell  
 5,246,153 A 9/1993 Beletsky  
 5,353,440 A 10/1994 Meldeau  
 5,360,384 A 11/1994 Toensing

(57) **CLAIM**  
 The ornamental design for a tool belt with non-twisting D-rings, as shown and described.

**DESCRIPTION**

FIG. 1 is a front, perspective view of my ornamental design; FIG. 2 is a front view of the ornamental design of FIG. 1; FIG. 3 is a rear view of the ornamental design of FIG. 1; FIG. 4 is a top view of the ornamental design of FIG. 1; FIG. 5 is a bottom view of the ornamental design of FIG. 1; FIG. 6 is a right side view of the ornamental design of FIG. 1; and, FIG. 7 is a left side view of the ornamental design of FIG. 1. The broken lines are included for purposes of illustrating environment and form no part of the claimed design.

**1 Claim, 6 Drawing Sheets**



(56)

References Cited

U.S. PATENT DOCUMENTS

5,988,315	A	11/1999	Crane		8,544,603	B1	10/2013	Rullo et al.
6,003,744	A	12/1999	Culjak		8,622,263	B2	1/2014	Su
6,015,073	A *	1/2000	Wojciak .....	A41F 9/002 2/312	D708,847	S *	7/2014	Goddard ..... D3/224
					8,857,690	B2	10/2014	Watson
6,085,952	A	7/2000	Garland		8,915,360	B2	12/2014	Oliver
6,099,490	A	8/2000	Turtzo		D723,265	S *	3/2015	Ford ..... D3/224
6,138,881	A	10/2000	Paul et al.		2001/0015365	A1	8/2001	Flynn
D436,243	S *	1/2001	Hoy .....	D2/860	2003/0040372	A1	2/2003	McNutt et al.
6,213,365	B1	4/2001	Stocke et al.		2004/0065708	A1	4/2004	Amram
6,264,081	B1 *	7/2001	Wojciak .....	A41F 9/002 2/312	2007/0051766	A1	3/2007	Spencer
					2007/0058887	A1	3/2007	Godshaw et al.
6,267,276	B1	7/2001	Cook		2007/0261213	A1	11/2007	Nolan et al.
6,357,640	B1	3/2002	Rickard et al.		2008/0098965	A1	5/2008	Hachigian
6,601,743	B2	8/2003	Godshaw		2008/0127461	A1	6/2008	Linden et al.
6,619,447	B1	9/2003	Garcia et al.		2008/0135594	A1	6/2008	Williams
D485,061	S *	1/2004	Noell .....	D3/226	2008/0156834	A1	7/2008	Tipaldo
6,675,391	B2	1/2004	Morrison		2008/0179370	A1	7/2008	Williams
6,695,187	B1	2/2004	Dunkle		2008/0240624	A1	10/2008	Godshaw et al.
D495,853	S *	9/2004	Nelson .....	D2/627	2009/0223845	A1	9/2009	Bosma et al.
6,805,270	B1	10/2004	Fraser		2009/0242598	A1	10/2009	Dormaar
6,824,031	B2	11/2004	McKenzie		2010/0001028	A1	1/2010	Titshaw
6,874,596	B2	4/2005	Zeissler et al.		2010/0089960	A1	4/2010	Galaganov et al.
6,907,989	B2	6/2005	Ho		2010/0303387	A1	12/2010	Dahlquist
6,968,880	B2	11/2005	Battaglia et al.		2011/0005467	A1	1/2011	Siklosi
7,011,241	B2	3/2006	Godshaw et al.		2011/0079623	A1	4/2011	McCray-Clark et al.
7,047,567	B2	5/2006	Allen		2011/0215126	A1	9/2011	Thatcher et al.
7,131,534	B2	11/2006	Enes		2012/0018477	A1	1/2012	Inouye
7,160,028	B1	1/2007	Linday		2012/0055738	A1	3/2012	Larkin
7,234,995	B2	6/2007	Filda et al.		2012/0186709	A1	7/2012	Mulaw
7,243,793	B2	7/2007	Ho		2012/0267017	A1	10/2012	Sloan
7,325,254	B1	2/2008	Edgar et al.		2013/0056510	A1	3/2013	Yun
7,575,138	B2	8/2009	Lindberg		2013/0118963	A1	5/2013	Bailey et al.
7,661,900	B2	2/2010	Merzon		2013/0140120	A1	6/2013	Rasmussen
7,789,114	B2	9/2010	Pace et al.		2013/0175117	A1	7/2013	Schierenbeck
7,996,921	B1	8/2011	Snyder		2013/0175118	A1	7/2013	McDonald
8,016,173	B2	9/2011	Dvorak		2013/0206800	A1	8/2013	Simonsen
8,152,374	B2	4/2012	Shaul		2013/0306504	A1	11/2013	Wear et al.
D659,947	S *	5/2012	Mouquet .....	D2/627	2014/0008404	A1	1/2014	Pei et al.
8,166,924	B2	5/2012	Cho		2014/0151411	A1	6/2014	Anderson
8,220,683	B2	7/2012	Williams		2014/0166516	A1	6/2014	Martinez et al.
8,302,830	B1	11/2012	Jensen		2014/0197050	A1	7/2014	Chiorazzi et al.
8,479,312	B2	7/2013	Dovner et al.		2014/0299073	A1	10/2014	Batista
					2014/0367427	A1	12/2014	Bjelde et al.

\* cited by examiner

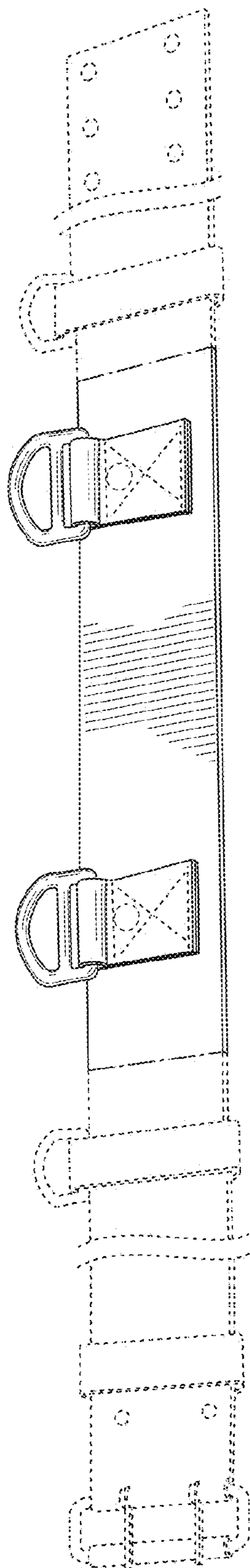


FIG. 1

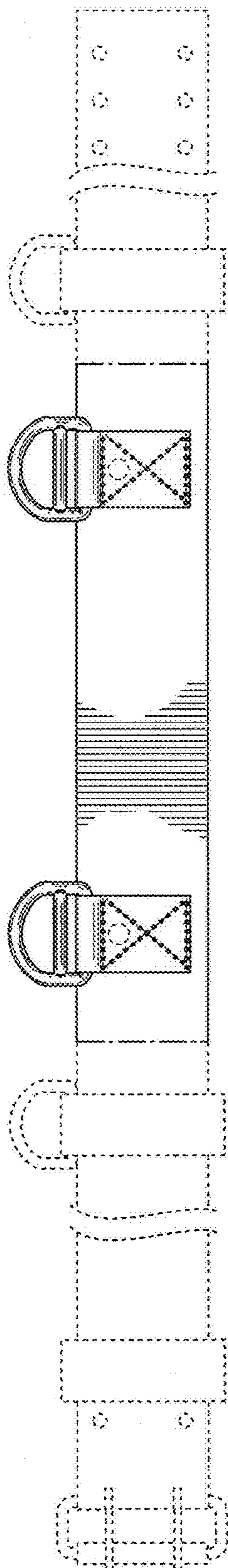


FIG. 2

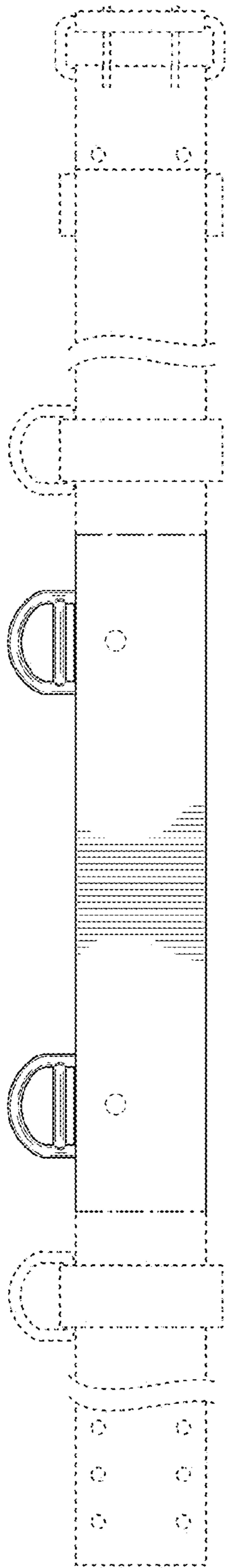


FIG. 3

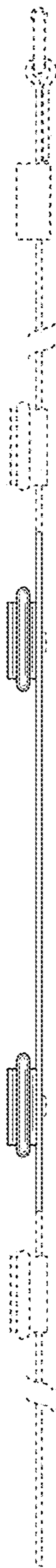


FIG. 4

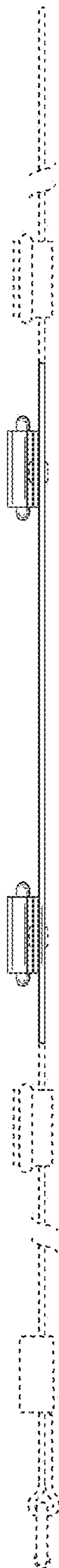


FIG. 5



FIG. 6



FIG. 7