

US00D750369S

(12) **United States Design Patent**
Hamilton

(10) **Patent No.:** **US D750,369 S**
(45) **Date of Patent:** **** *Mar. 1, 2016**

(54) **PORTABLE ARTICLE CARRIER**

FOREIGN PATENT DOCUMENTS

(71) Applicant: **SIMPLE.BE LLC**, Lake Oswego, OR (US)

CA 2395918 A1 1/2004

(72) Inventor: **Brett Hamilton**, Tualatin, OR (US)

OTHER PUBLICATIONS

(73) Assignee: **SIMPLE.BE LLC**, Lake Oswego, OR (US)

“Portable Article Carrier”, Unpublished U.S. Appl. No. 29/507,876, Inventor: Brett Hamilton, Applicant: SIMPLE.BE LLC, filed Oct. 31, 2014, United States Patent and Trademark Office, Alexandria, VA.

(Continued)

(*) Notice: This patent is subject to a terminal disclaimer.

Primary Examiner — Catheri Oliver-Garcia

(**) Term: **14 Years**

(74) *Attorney, Agent, or Firm* — Stone Creek Services LLC; Alan M Flum

(21) Appl. No.: **29/507,873**

(57) **CLAIM**

(22) Filed: **Oct. 31, 2014**

The ornamental design for a portable article carrier, as shown and described.

(51) **LOC (10) Cl.** **03-01**

(52) **U.S. Cl.**

USPC **D3/218**

(58) **Field of Classification Search**

USPC D3/215, 221, 224, 226, 228, 229;
224/148.6, 219, 222, 246, 250, 267,
224/671-675, 236, 269, 575, 930, 587, 197,
224/217; 294/25, 150; 24/3.12, 16 R, 17 B,
24/303, 3.2; 206/305, 320;
455/575.1-575.8, 100, 347

See application file for complete search history.

DESCRIPTION

FIG. 1 is a top, front, and left side perspective view of a portable article carrier showing my new design; FIG. 2 is a front elevation view thereof; FIG. 3 is a rear elevation view thereof; FIG. 4 is a left side elevation view thereof; FIG. 5 is a right side elevation view thereof; FIG. 6 is a top plan view thereof; FIG. 7 is a bottom plan view thereof; and, FIG. 8 is a top, rear, and left side perspective view of the portable article carrier of FIG. 1.

The surface shading illustrated in the drawings is provided merely to highlight the contour of the design; it is not intended to be illustrative of texture or surface ornamentation. The broken lines in FIGS. 1-2 and 4-8 illustrate portions of the portable article carrier that form no part of the claimed design. The broken away and bracketed portions in FIGS. 1-5 and 8 indicate no particular length is claimed for those portions; such lines and any portion of the article between such lines form no part of the claimed design.

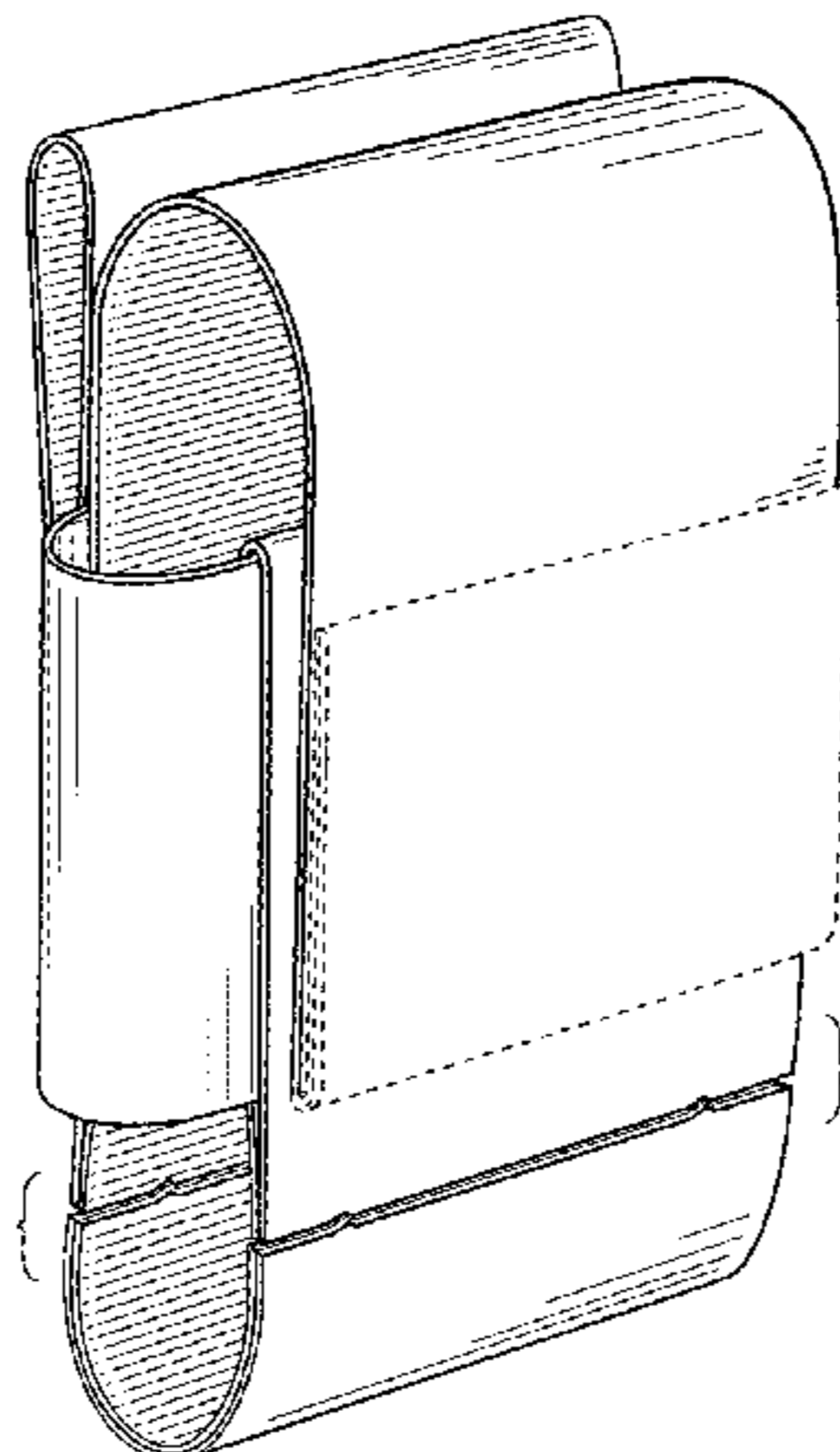
(56) **References Cited**

U.S. PATENT DOCUMENTS

551,359 A	12/1885	Braillard
1,816,284 A	7/1931	Hughes
3,127,076 A	3/1964	Tebbs
3,813,017 A	5/1974	Pimsleur
4,057,757 A	11/1977	Darden
D258,021 S	1/1981	Bonaventura
4,399,934 A	8/1983	Dupont
4,420,104 A	12/1983	DiIenno
D275,815 S	10/1984	DiIenno
D281,830 S	12/1985	Hengesbach

(Continued)

1 Claim, 5 Drawing Sheets



(56)

References Cited

U.S. PATENT DOCUMENTS

D293,857	S	1/1988	Stout et al.	
4,982,885	A	1/1991	Severson et al.	
5,104,076	A	4/1992	Goodall	
5,147,079	A	9/1992	Heather	
5,184,762	A	2/1993	Nevitt	
D347,522	S	6/1994	Beltran	
5,535,928	A	7/1996	Herring	
5,622,346	A	4/1997	Story, Jr.	
5,806,730	A	9/1998	Deno	
D419,392	S	1/2000	Schlebusch	
6,056,174	A	5/2000	Minckler	
6,076,789	A	6/2000	Jackson	
6,081,695	A	6/2000	Wallace et al.	
6,321,958	B1	11/2001	Erdmann	
6,412,674	B1	7/2002	Lipke	
D467,069	S	12/2002	TenHoeve	
6,533,150	B1	3/2003	Margo et al.	
D490,237	S	5/2004	Hardge	
D517,314	S	3/2006	Moyer	
D533,341	S *	12/2006	Infanti	D3/218
D538,034	S *	3/2007	Moghaddam	D3/218
D540,031	S	4/2007	Bouchard	
D547,618	S	7/2007	Exler	
D591,499	S *	5/2009	Ross, III	D3/218
7,640,632	B2	1/2010	Lazarus	
D654,265	S	2/2012	Roy	
8,162,285	B2	4/2012	Rooker	
D682,544	S	5/2013	Raich	
8,573,458	B1	11/2013	Hamilton	
D738,104	S *	9/2015	Hamilton	D3/218
2007/0205244	A1	9/2007	Hewes, Jr.	
2008/0121673	A1	5/2008	Timm et al.	
2009/0127304	A1	5/2009	Uygur	

OTHER PUBLICATIONS

Brett Hamilton, Smart Phone Holster, Sep. 2008 (Public Disclosure), SIMPLE.BE LLC, Lake Oswego, OR.
 Revised Pre-Examination Search Docket, U.S. Appl. No. 13/803,532, Attachable Portable Article Carrier, Inventor: Brett Hamilton, Apr. 30, 2013, United States Patent and Trademark Office, Alexandria, VA.
 Revised Accelerated Examination Support Document, U.S. Appl. No. 13/803,532, Attachable Portable Article Carrier, Inventor: Brett Hamilton, Apr. 30, 2013, United States Patent and Trademark Office, Alexandria, VA.
 Non-Final Office Action, U.S. Appl. No. 13/803,532, Attachable Portable Article Carrier, Inventor: Brett Hamilton, Inventor: Brett Hamilton, Jun. 6, 2012, United States Patent and Trademark Office, Alexandria, VA.
 Response to Non-Final Action, U.S. Appl. No. 13/803,532, Attachable Portable Article Carrier, Inventor: Brett Hamilton, Jul. 2, 2012, United States Patent and Trademark Office, Alexandria, VA.
 Notice of Allowance, U.S. Appl. No. 13/803,532, Attachable Portable Article Carrier, Inventor: Brett Hamilton, Jul. 23, 2012, United States Patent and Trademark Office, Alexandria, VA.
 "Portable Article Carrier", Unpublished U.S. Appl. No. 14/050,315, Inventor: Brett Hamilton, Applicant: SIMPLE.BE LLC, filed Oct. 9, 2013, United States Patent and Trademark Office, Alexandria, VA.
 "Carrier for Portable Articles", Unpublished U.S. Appl. No. 14/074,493, Inventor: Brett Hamilton, Applicant: SIMPLE.BE LLC, filed Nov. 7, 2013, United States Patent and Trademark Office, Alexandria, VA.

Bagaboo Cellphone Holster, accessed on the Internet at: <http://www.bagaboo.hu/en/catalogue/cell-phone-holster> on Nov. 22, 2013.
 Archive Cell Holster V.2, accessed on the Internet at: <http://archivebag.com/holster.html#holster1> on Nov. 22, 2013.
 Brett Hamilton, Photos of Smart Phone Holster in Four Views, public use on Jan. 2008, SIMPLE.BE LLC, Lake Oswego, OR.
 "Portable Article Carrier", Unpublished U.S. Appl. No. 29/478,197, Inventor: Brett Hamilton, Applicant: SIMPLE.BE LLC, filed Feb. 14, 2014, United States Patent and Trademark Office, Alexandria, VA.
 "Portable Article Carrier", Unpublished U.S. Appl. No. 29/478,200, Inventor: Brett Hamilton, Applicant: SIMPLE.BE LLC, filed Feb. 14, 2014, United States Patent and Trademark Office, Alexandria, VA.
 "Portable Article Carrier", Unpublished U.S. Appl. No. 29/478,205, Inventor: Brett Hamilton, Applicant: SIMPLE.BE LLC, filed Feb. 14, 2014, United States Patent and Trademark Office, Alexandria, VA.
 "Portable Article Carrier", Unpublished U.S. Appl. No. 29/478,208, Inventor: Brett Hamilton, Applicant: SIMPLE.BE LLC, filed Feb. 14, 2014, United States Patent and Trademark Office, Alexandria, VA.
 "Portable Article Carrier", Unpublished U.S. Appl. No. 29/486,462, Inventor: Brett Hamilton, Applicant: SIMPLE.BE LLC, filed Mar. 29, 2014, United States Patent and Trademark Office, Alexandria, VA.
 Maxexpedition CPM, accessed on the Internet at: <http://www.maxexpedition.com/store/pc/CP-M-8p2.htm> on Jan. 2, 2013.
 Maxpedition #0109, accessed on the Internet at: <http://www.maxpedition.com/store/pc/4-5-CLIP-ON-PHONE-HOLSTER-p441.htm> on Jan. 2, 2013.
 Maxpedition 3.5" Clip-on Phone Holster, accessed on the Internet at: <http://www.maxpedition.com/store/pc/3-5-CLIP-ON-PHONE-HOLSTER-p413.htm> on Jan. 2, 2013.
 SumoStrap Assembly Instructions, pp. 1-2, Estimated Date of Publication: as early as Jan. 1, 2004, Fastcap Inc., Bellingham, WA.
 Innovation, Fastcap 2004 Catalog, p. 14, Jan. 1, 2004, Fastcap Inc., Bellingham, WA.
 Heavy-Duty Phone Holder by Dewalt, accessed on the Internet at: <http://www.constructiongear.com/dewalt-heavy-duty-cell-phone-holder-5126.html> on Jan. 4, 2013.
 Belt Cell Phone/Camera Holder, accessed on the Internet at: <http://www.reliableracing.com/detail.cfm?edp=10927572> on Jan. 5, 2013.
 SwimAndTri: Fuel Belt Cell phone holder, accessed on the Internet at: http://www.swimandtri.com/Scripts/Fuel_Belt_Cell_phone_holder_Product341.aspx on Jan. 5, 2013.
 McGuire-Nicholas Cell Rider Cell Phone Holder at The Home Depot, accessed on the Internet at: <http://www.homedepot.com/buy/mcguire-nicholas-cellrider-cell-phone-holder-31509.html#> UOj0AYmEEoY on Jan. 5, 2013.
 Holster Pouch, accessed on the Internet at: www.boxwave.com/holsters/holster-pouch/bwpds/pw/ on Mar. 1, 2013.
 Heavy Guard PDA Pouch with Belt Clip, accessed on the Internet at: <http://www.militaryuniformsupply.com/pda-pouch-with-belt-clip> on Jan. 2, 2013.
 Seidio Horizontal Leather Case, accessed on the Internet at: www.seidioonline.com/blackberry-pearl-8100-horizontal-leather-case-p/d-csl3bb8100-hc.htm on Mar. 1, 2013.
 Clearing Clutter in Cars, Jan. 22, 2004, The Early Show, CBSNews.com, accessed on the Internet at: web.archive.org/web/20040810150547/http://www.cbsnews.com/stories/2004/06/21/earlyshow/living/main625174.shtml on Mar. 4, 2013.
 Galls: Phone Holders, accessed on the Internet at: www.galls.com/CGBCSRCH?PMWTNO=00000000001577 on Mar. 1, 2013.

* cited by examiner

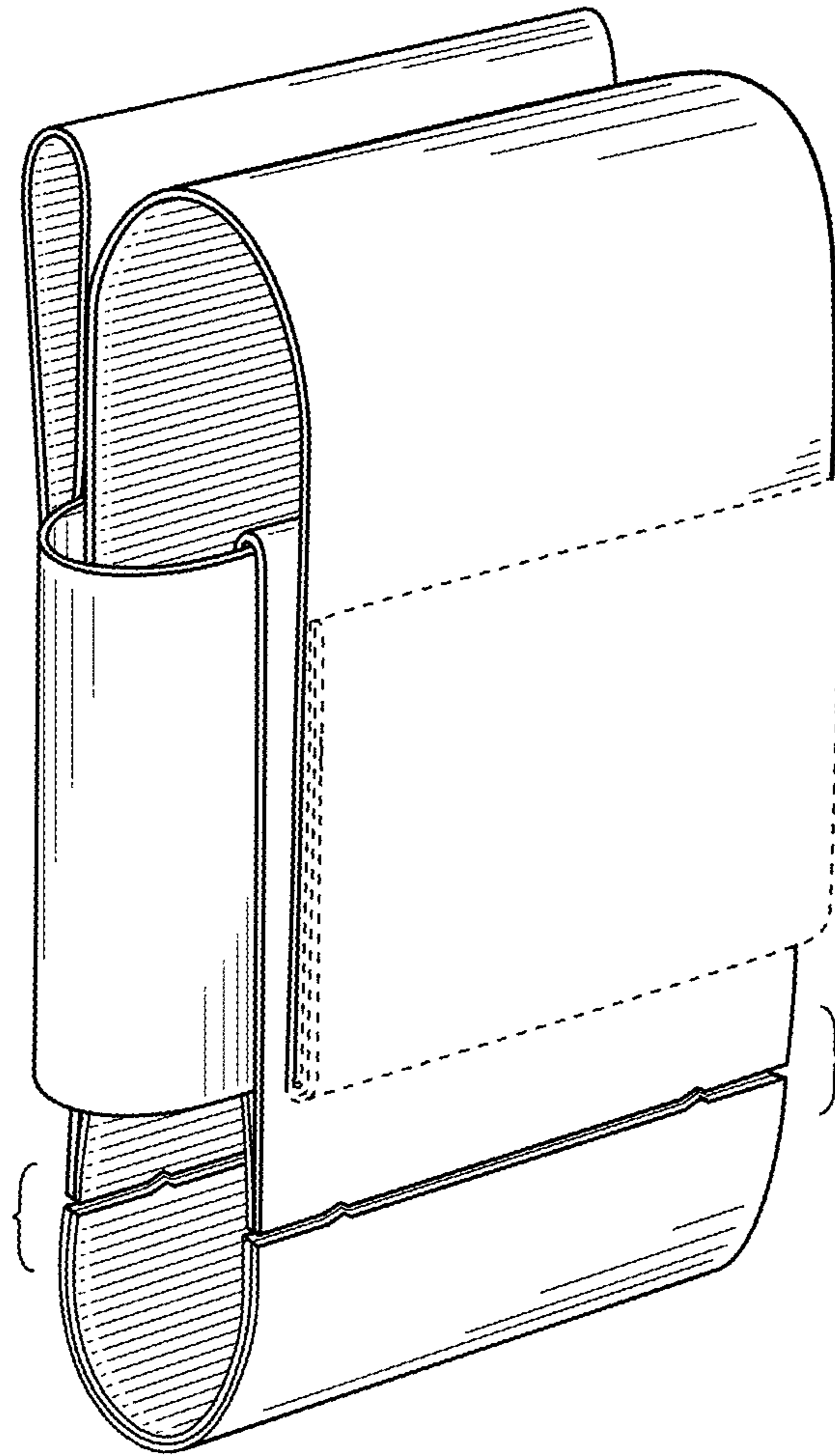


FIG. 1

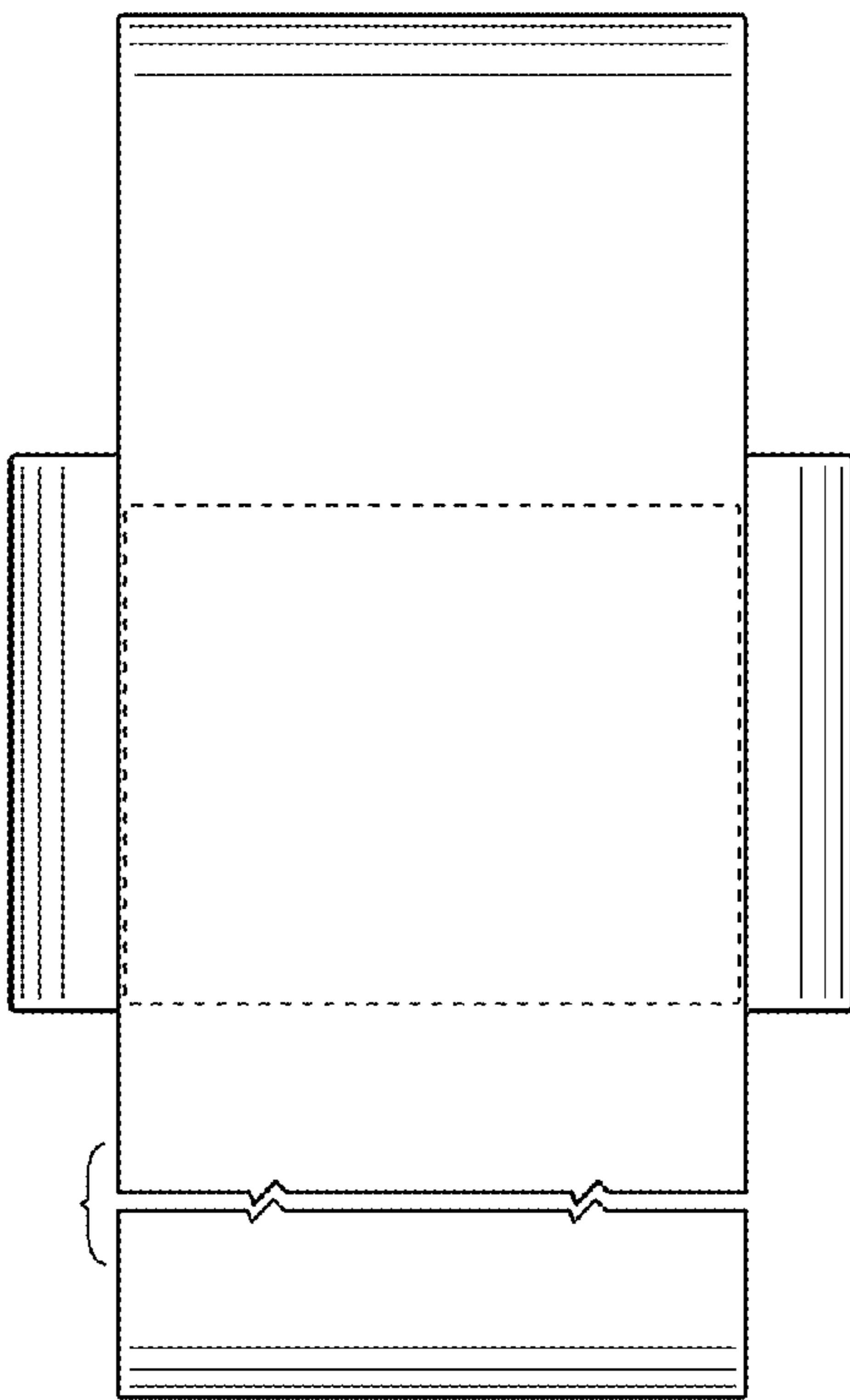


FIG. 2

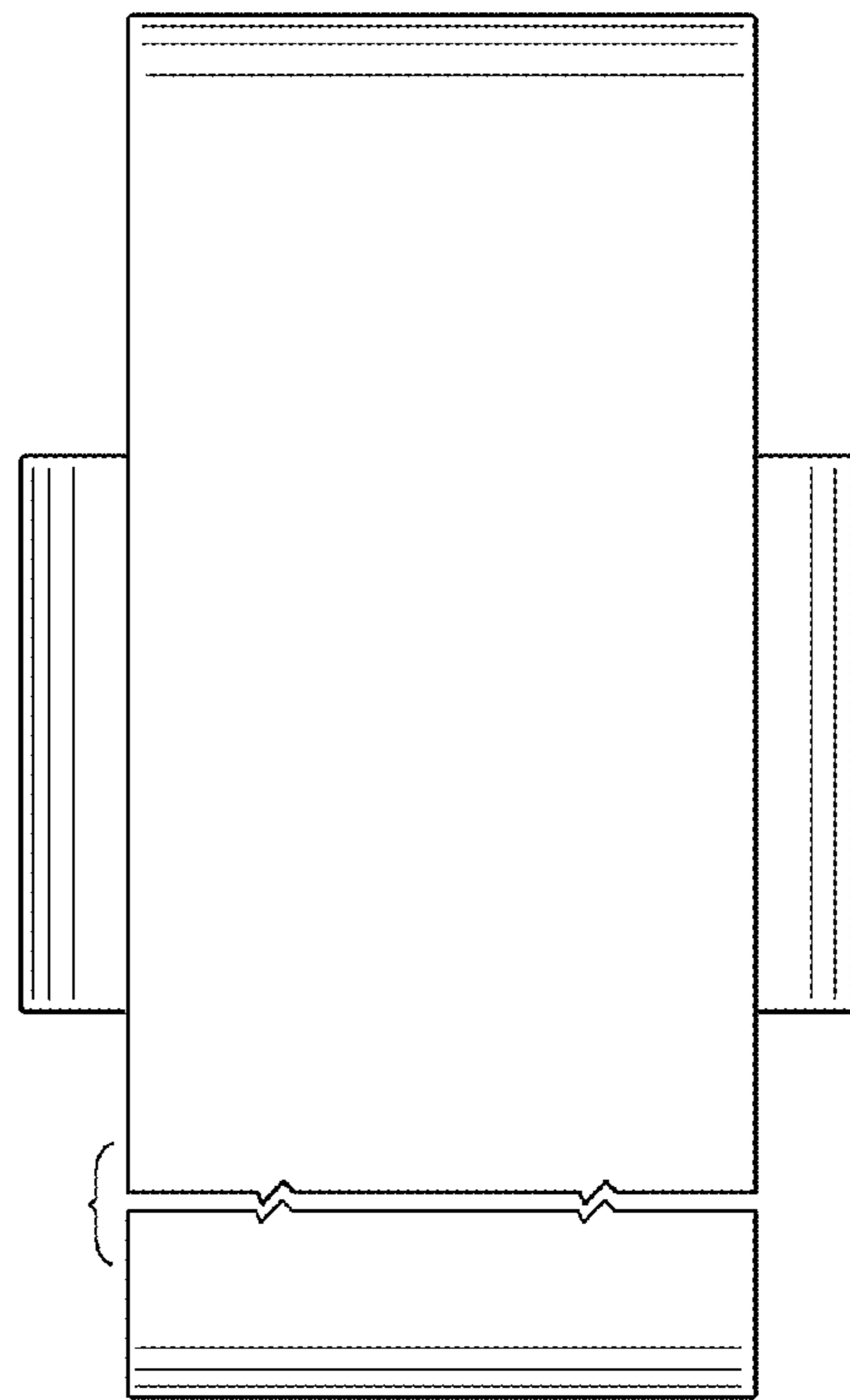


FIG. 3

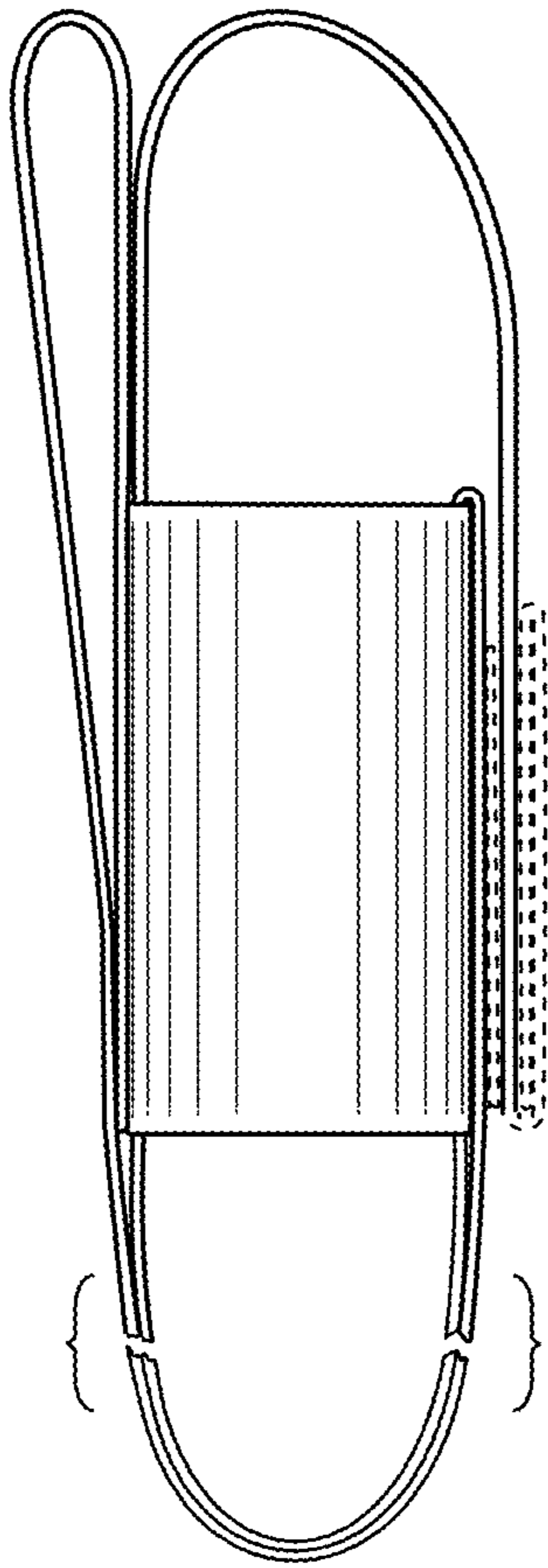


FIG. 4

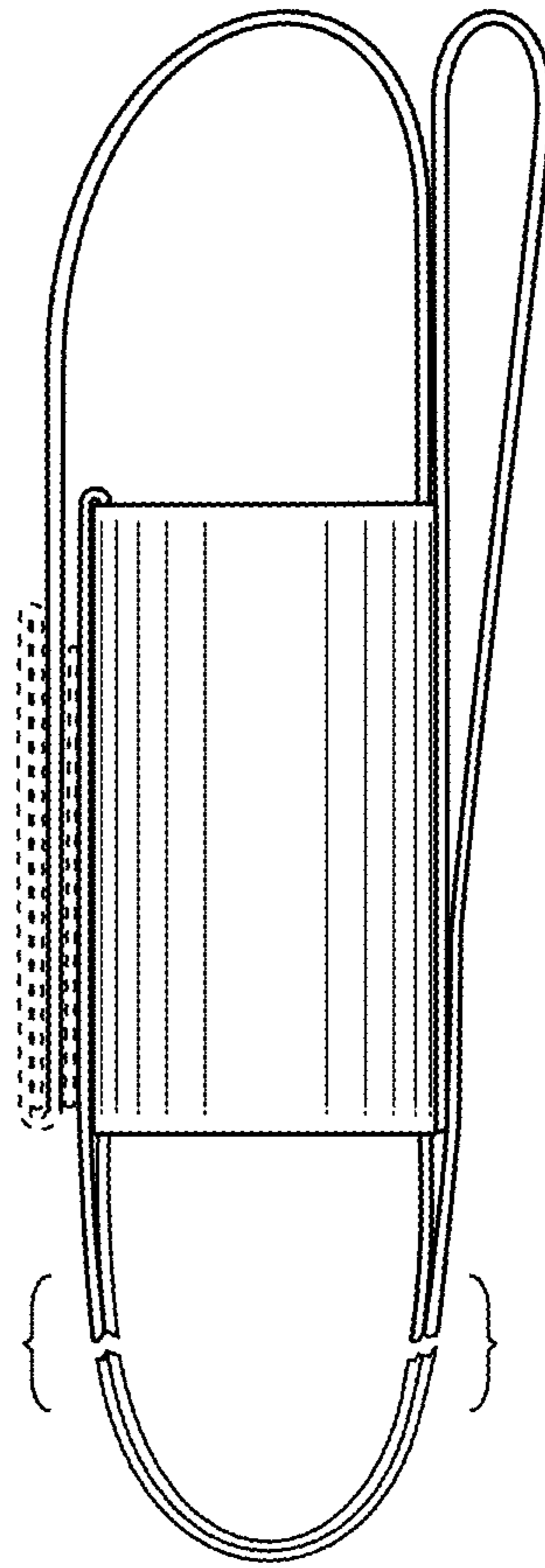


FIG. 5

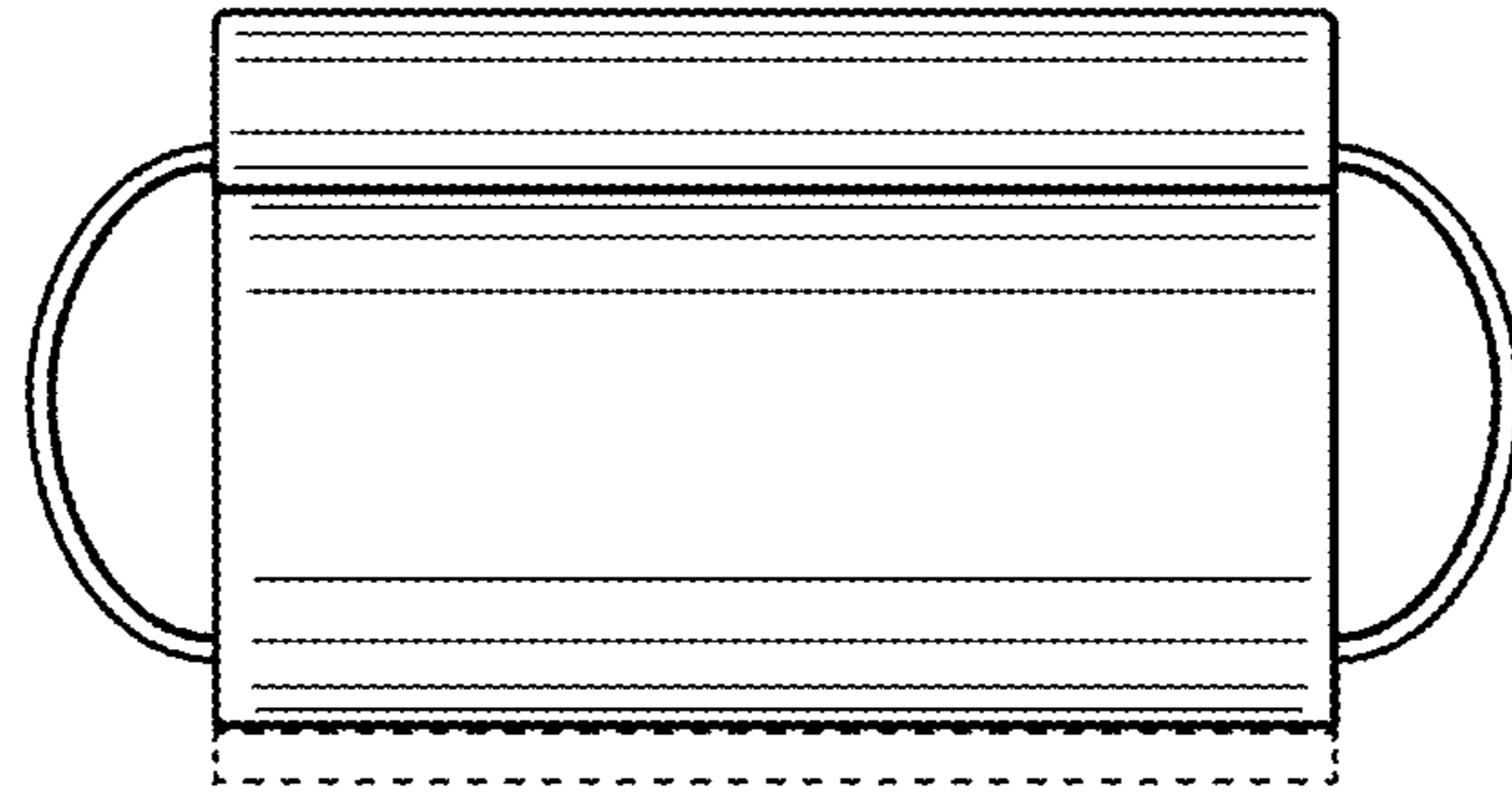


FIG. 6

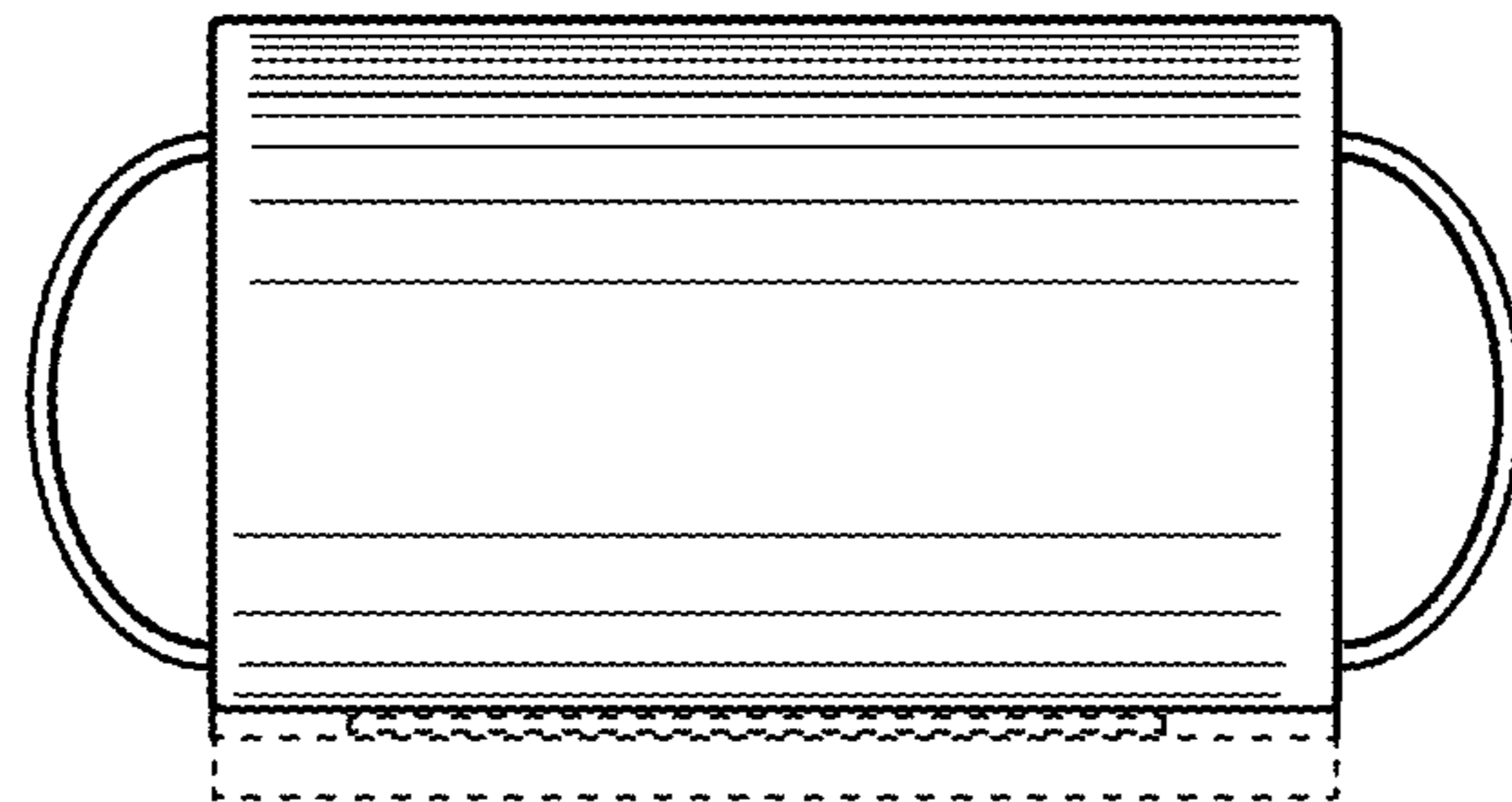


FIG. 7

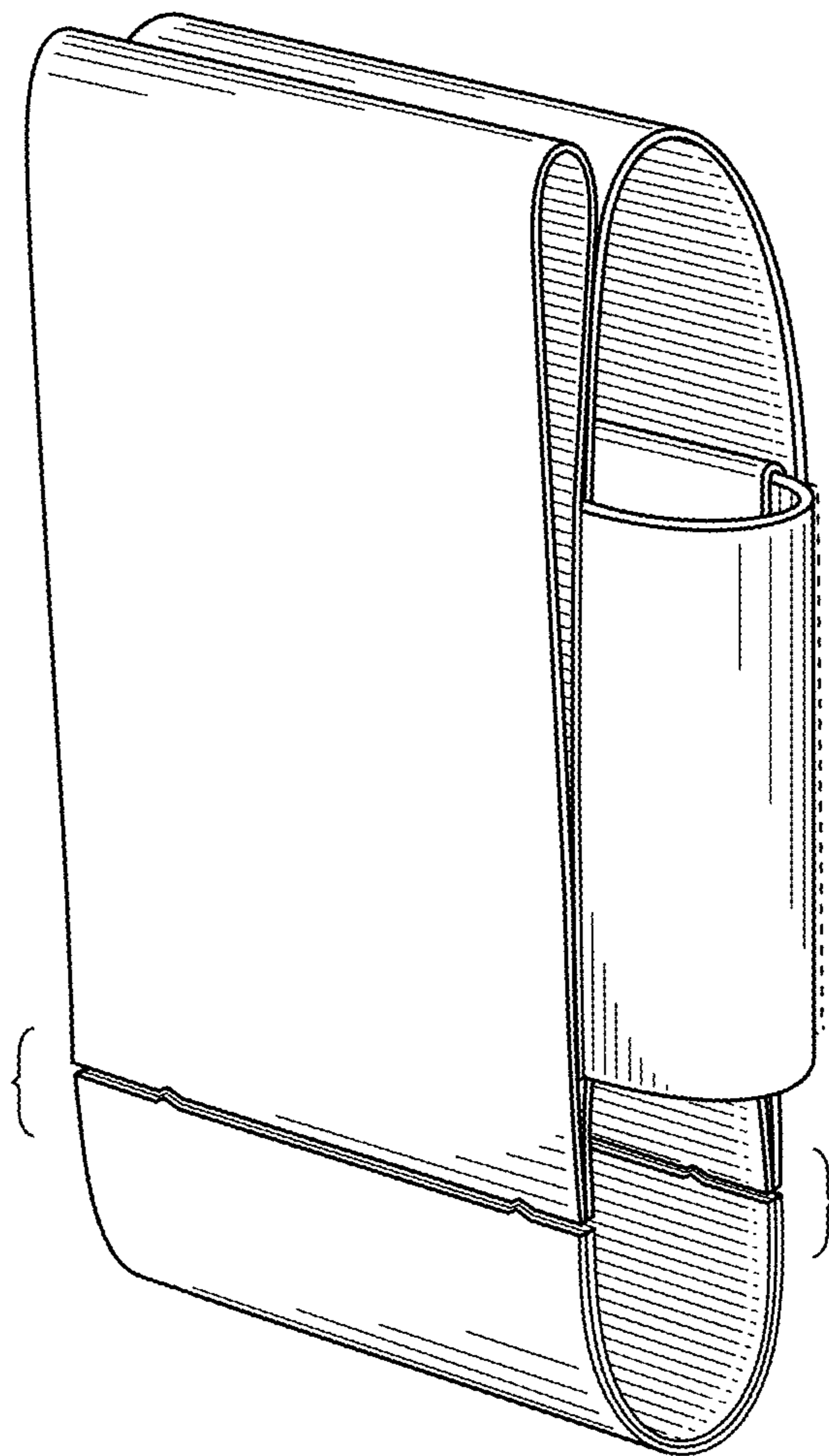


FIG. 8