



US00D750366S

(12) **United States Design Patent**  
**Chao**

(10) **Patent No.:** **US D750,366 S**  
(45) **Date of Patent:** **\*\* Mar. 1, 2016**

- (54) **WALKING STICK**
- (71) Applicant: **FWU YEOW ENTERPRISE CO., LTD.**, Chang-hua Hsien (TW)
- (72) Inventor: **Chien-Hsin Chao**, Chang-hua Hsien (TW)
- (73) Assignee: **Fwu Yeow Enterprise Co., Ltd.**, Chang-hua Hsien (TW)
- (\*\*) Term: **14 Years**
- (21) Appl. No.: **29/514,656**
- (22) Filed: **Jan. 15, 2015**
- (51) **LOC (10) Cl.** ..... **03-03**
- (52) **U.S. Cl.**  
USPC ..... **D3/10**
- (58) **Field of Classification Search**  
USPC ..... D3/5-17; D21/576, 584, 606-608; D11/158  
CPC ..... A45B 9/00; A45B 3/00; A45B 9/02; A45B 9/04; A63H 3/003; A63H 3/16; A47C 7/002  
See application file for complete search history.

D505,166 S *	5/2005	Chen	.....	D21/608
D505,167 S *	5/2005	Chen	.....	D21/608
D505,168 S *	5/2005	Chen	.....	D21/608
D508,721 S *	8/2005	Chen	.....	D21/608
D510,607 S *	10/2005	Chen	.....	D21/608
D518,948 S *	4/2006	Calkins	.....	D3/10
D532,058 S *	11/2006	Boutin	.....	D21/608
D549,865 S *	8/2007	van der Lande	.....	D26/47
D570,094 S *	6/2008	Wainwright	.....	D3/17
D587,894 S *	3/2009	Wainwright	.....	D3/10
D610,792 S *	3/2010	Ozuna	.....	D12/133
D632,476 S *	2/2011	Owens	.....	D3/17
D635,351 S *	4/2011	White	.....	D3/17
D668,447 S *	10/2012	Lai	.....	D3/17
D670,077 S *	11/2012	Jiang	.....	D3/17
D680,730 S *	4/2013	Ozuna	.....	D3/17
D738,103 S *	9/2015	White	.....	D3/17
D740,017 S *	10/2015	Diamond	.....	D3/17
2007/0054591 A1 *	3/2007	Williams	.....	A63H 13/02 446/156

\* cited by examiner

*Primary Examiner* — John Windmuller  
*Assistant Examiner* — Steven Czyz  
(74) *Attorney, Agent, or Firm* — Alan D. Kamrath; Kamrath IP Lawfirm, P.A.

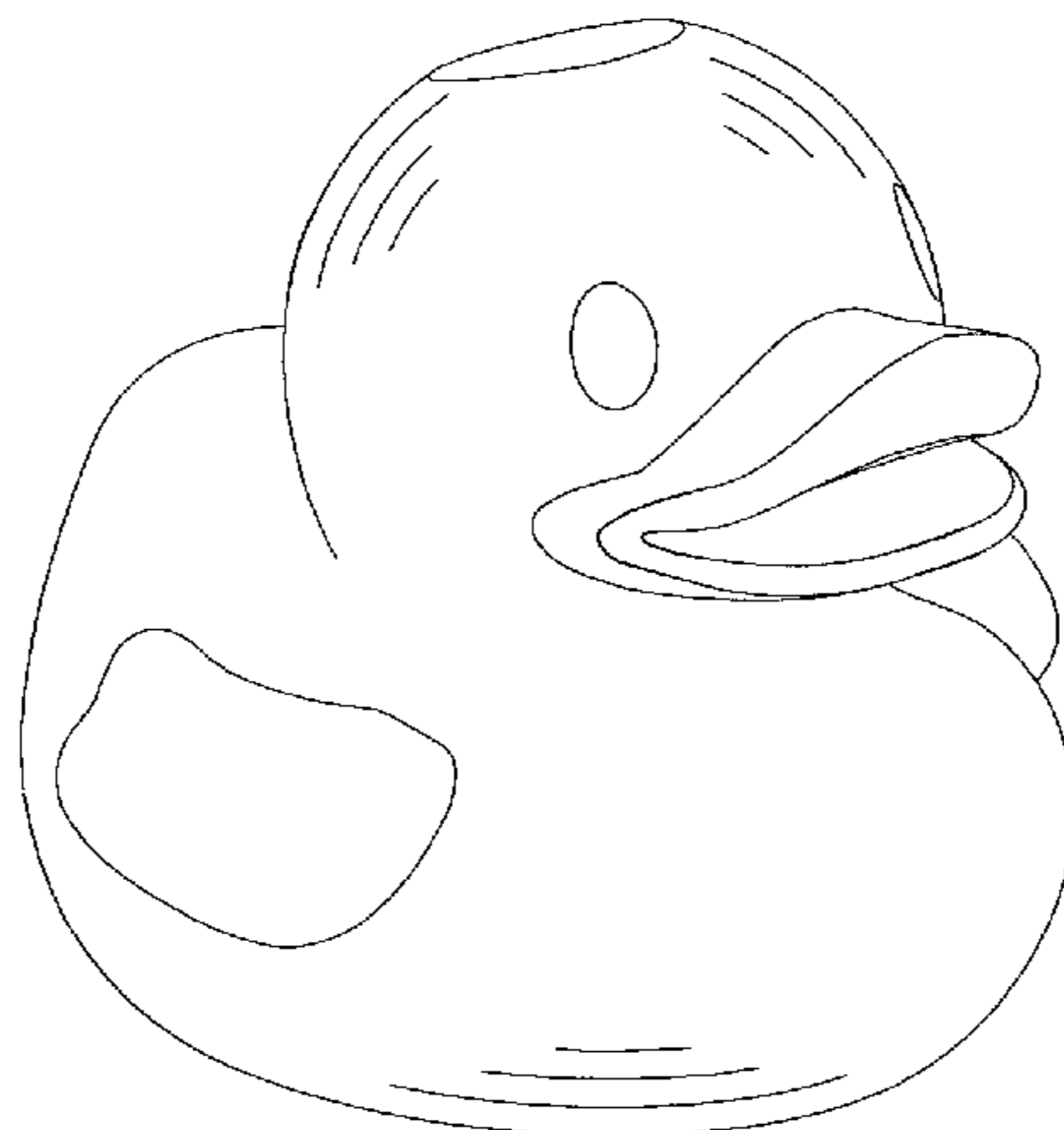
(57) **CLAIM**  
The ornamental design for a walking stick, as shown and described.

- (56) **References Cited**  
U.S. PATENT DOCUMENTS  
D56,668 S \* 11/1920 Levin et al. .... D3/10  
D260,915 S \* 9/1981 Orenstein ..... D21/608  
5,301,703 A \* 4/1994 Kahn ..... A45B 9/04  
135/77  
5,485,862 A \* 1/1996 Kahn ..... A61H 3/068  
135/77  
5,713,382 A \* 2/1998 Midcap ..... A45B 9/04  
135/44  
D426,495 S \* 6/2000 Vaccaro ..... D12/133  
D433,354 S \* 11/2000 Donets ..... D12/130  
D441,088 S \* 4/2001 Raffo ..... D24/214  
D492,371 S \* 6/2004 Chen ..... D21/608  
D495,763 S \* 9/2004 Chen ..... D21/608  
D496,494 S \* 9/2004 Hood ..... D28/67

**DESCRIPTION**

FIG. 1 is a perspective view of a walking stick showing my design;  
FIG. 2 is a front elevational view thereof;  
FIG. 3 is a rear elevational view thereof;  
FIG. 4 is a left side elevational view thereof;  
FIG. 5 is a right side elevational view thereof;  
FIG. 6 is a top plan view thereof;  
FIG. 7 is a bottom plan view thereof; and,  
FIG. 8 is a perspective view thereof, shown in use.  
The broken lines depict environment that form no part of the claimed design.

**1 Claim, 8 Drawing Sheets**



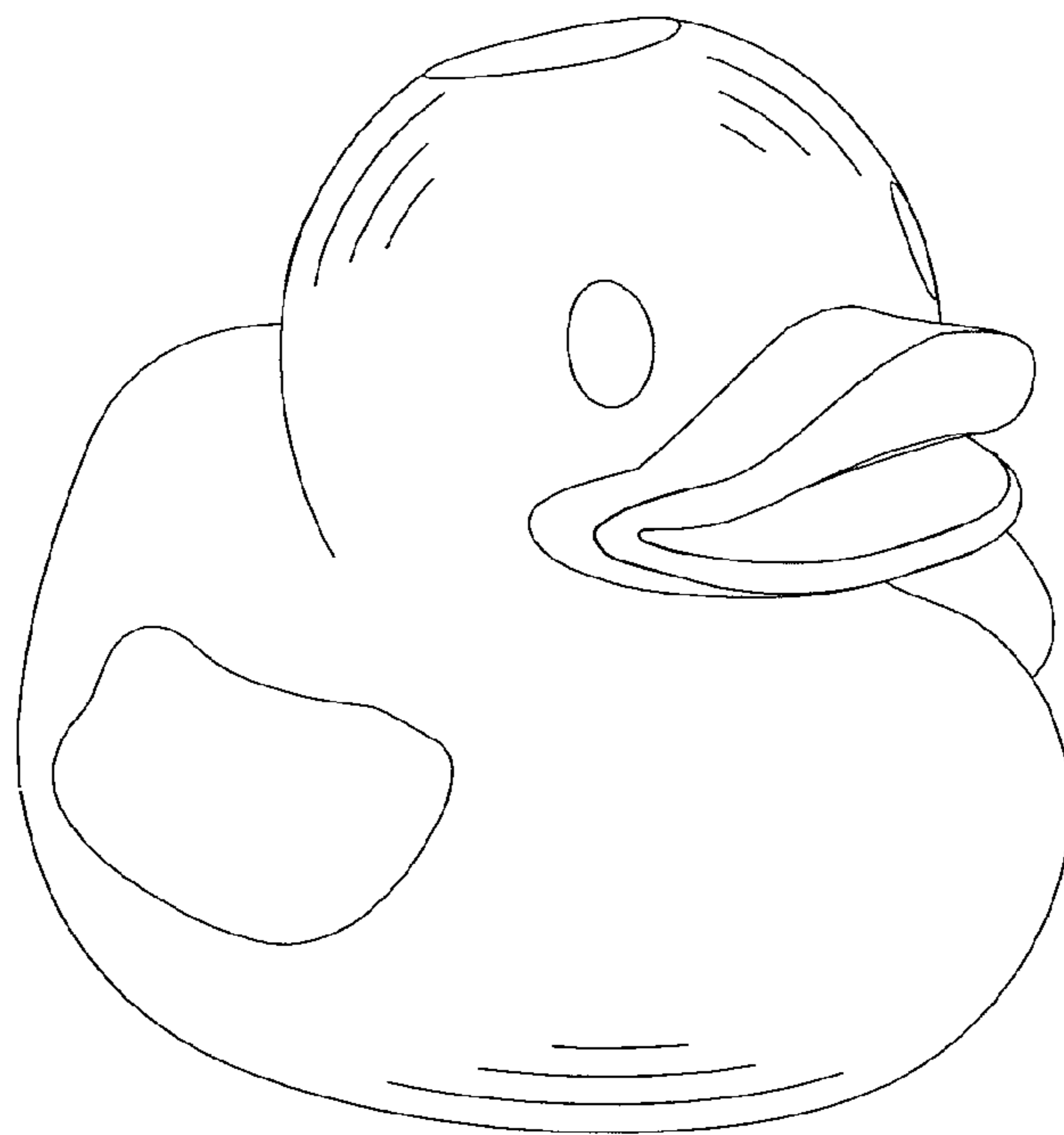


FIG. 1

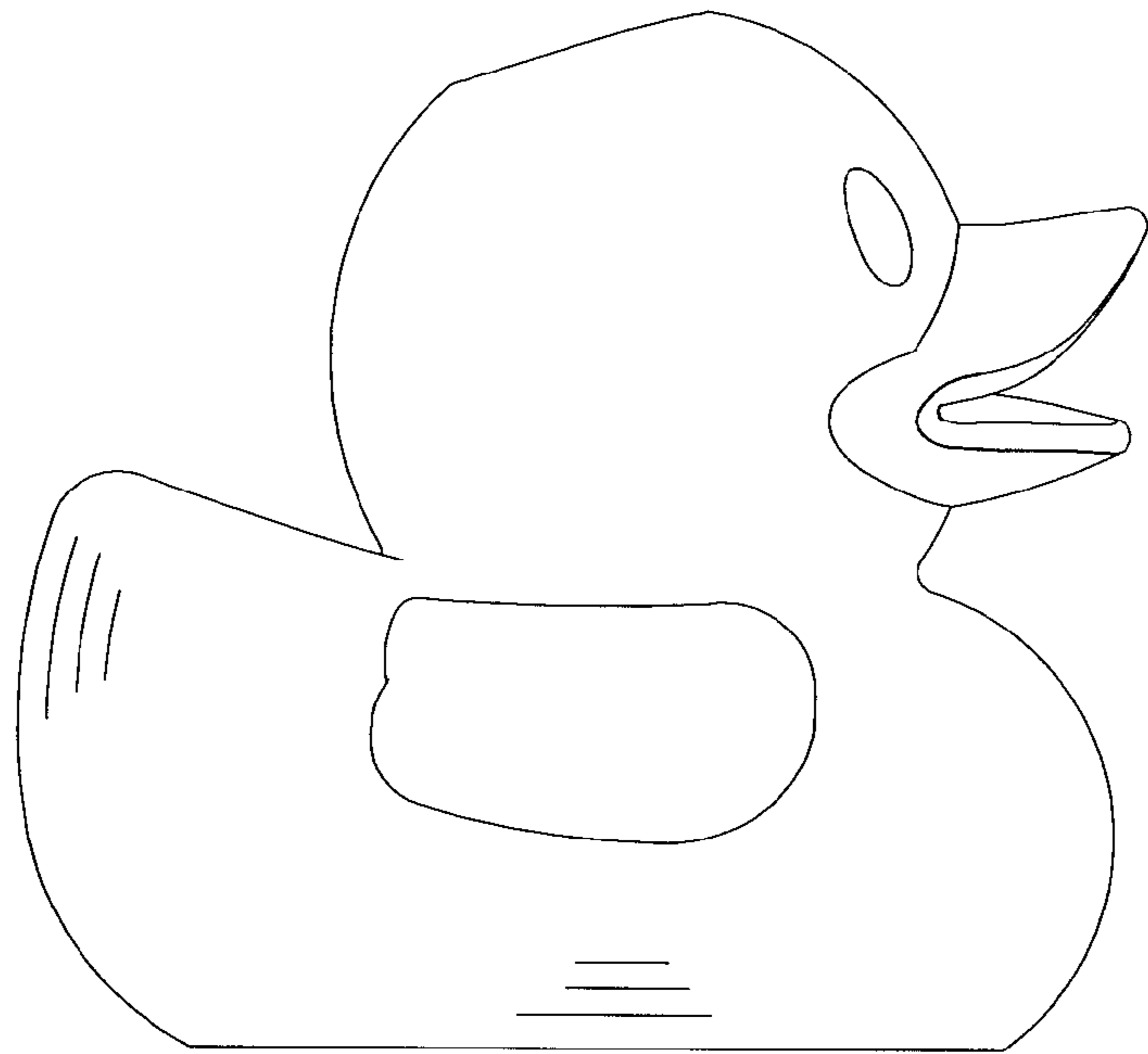


FIG. 2

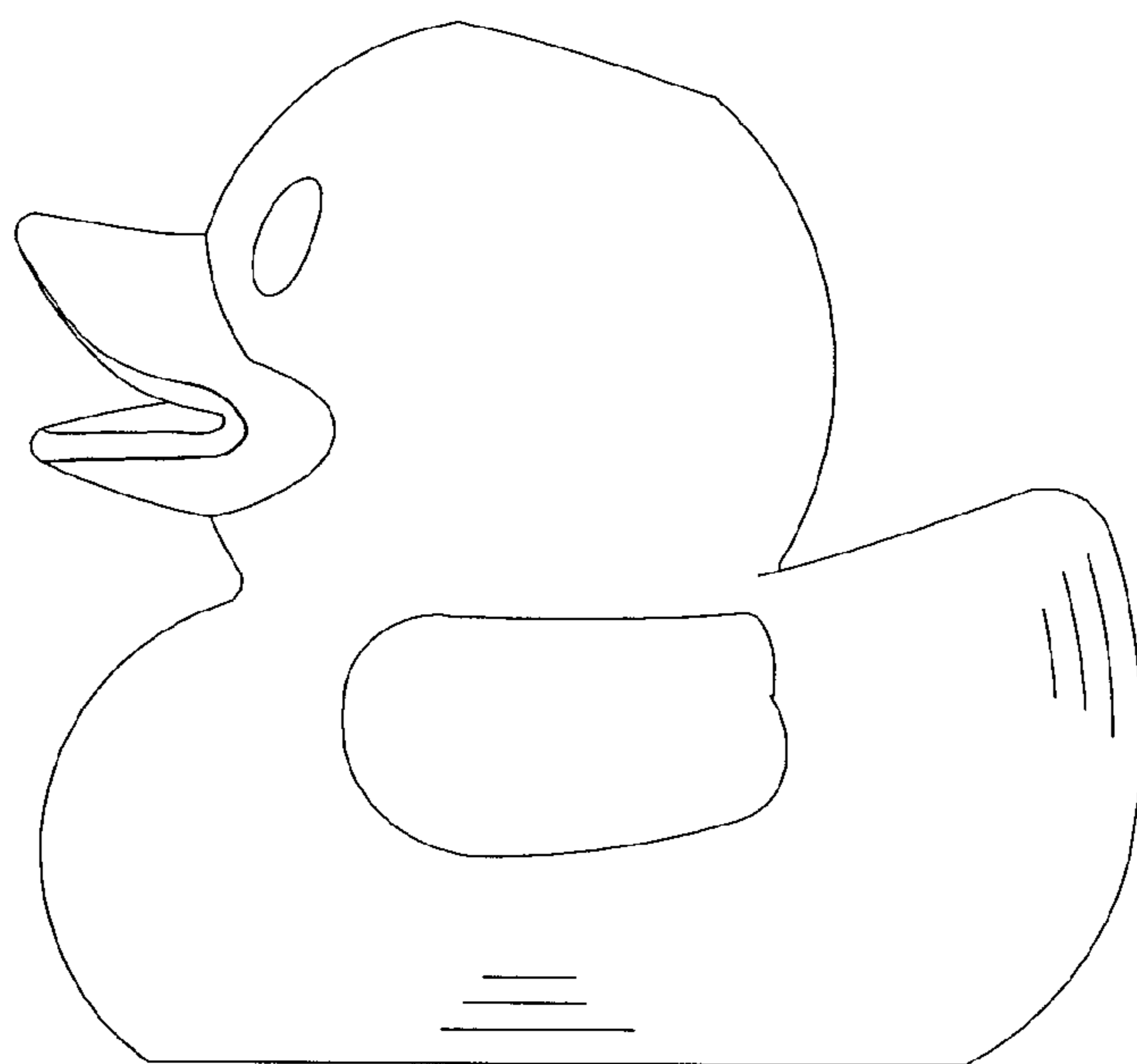


FIG. 3

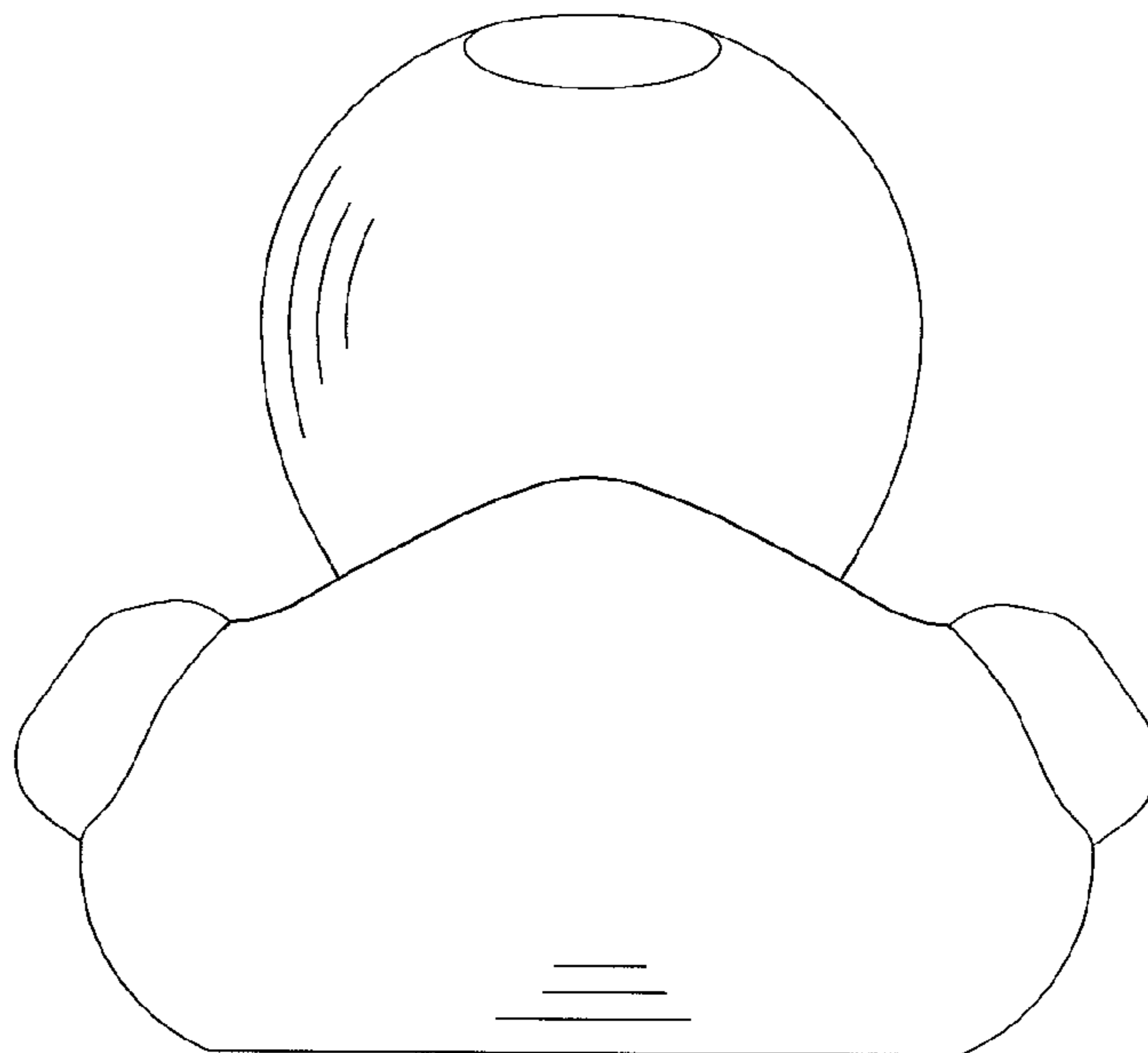


FIG. 4

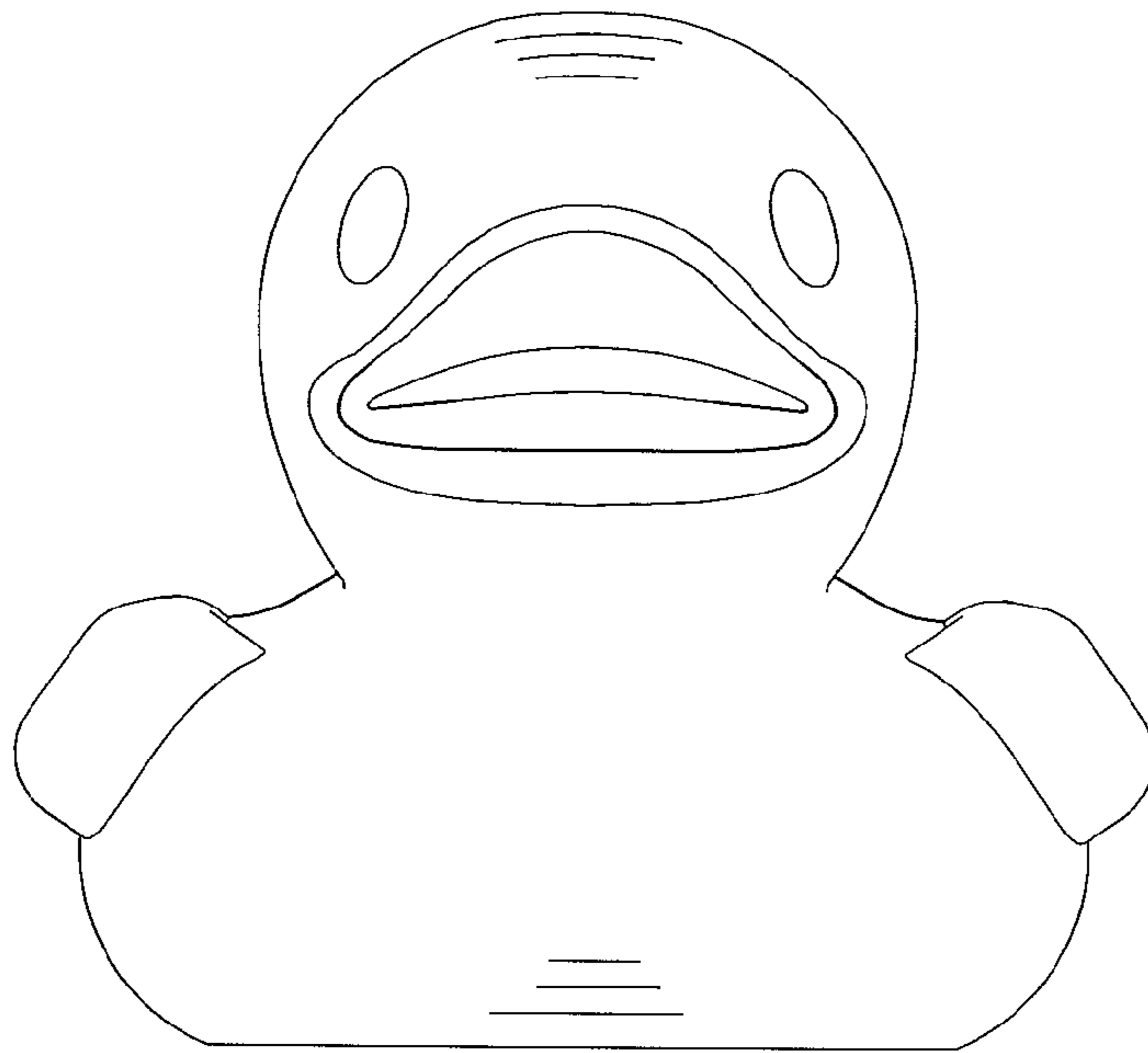


FIG. 5

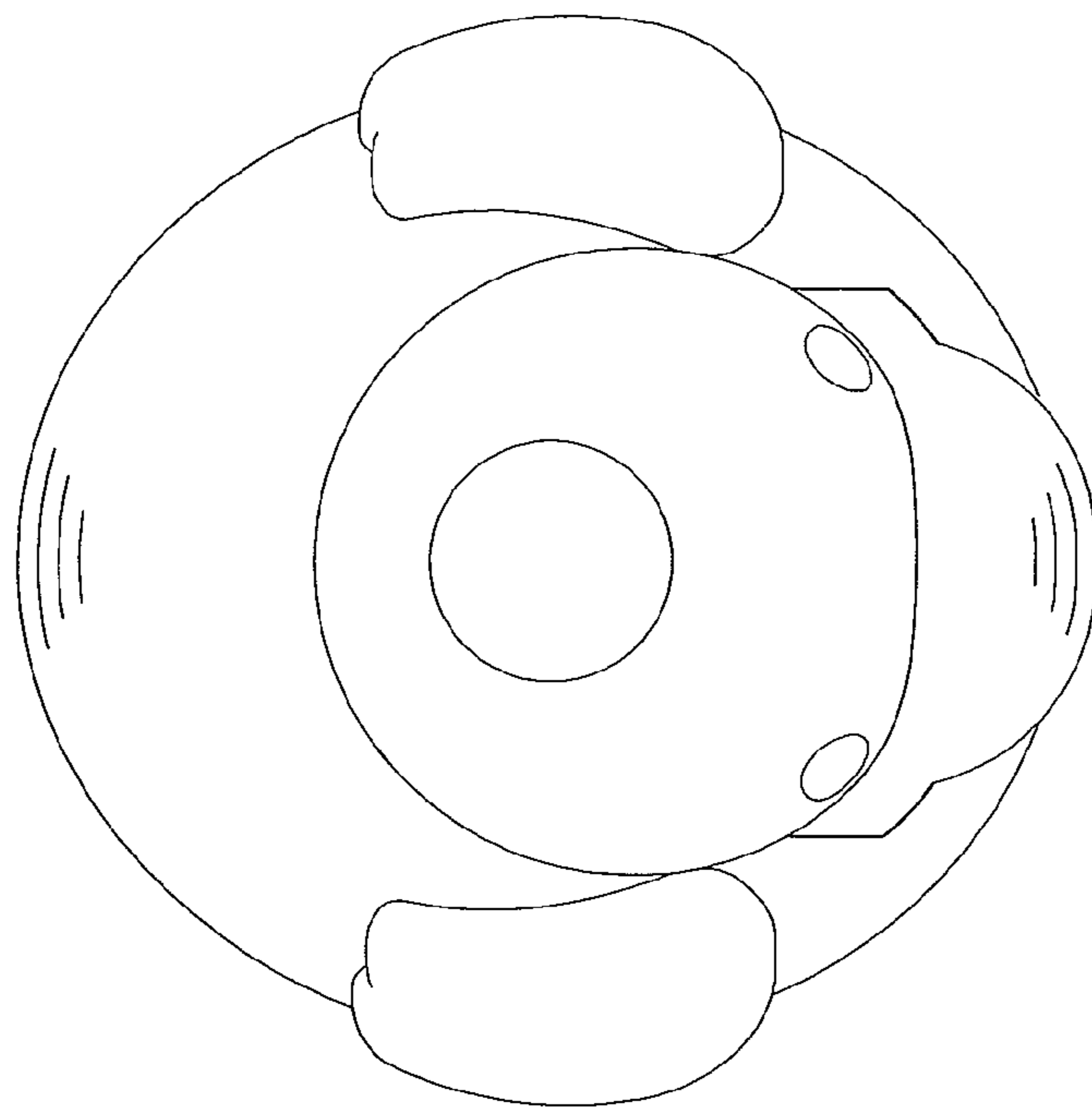


FIG. 6

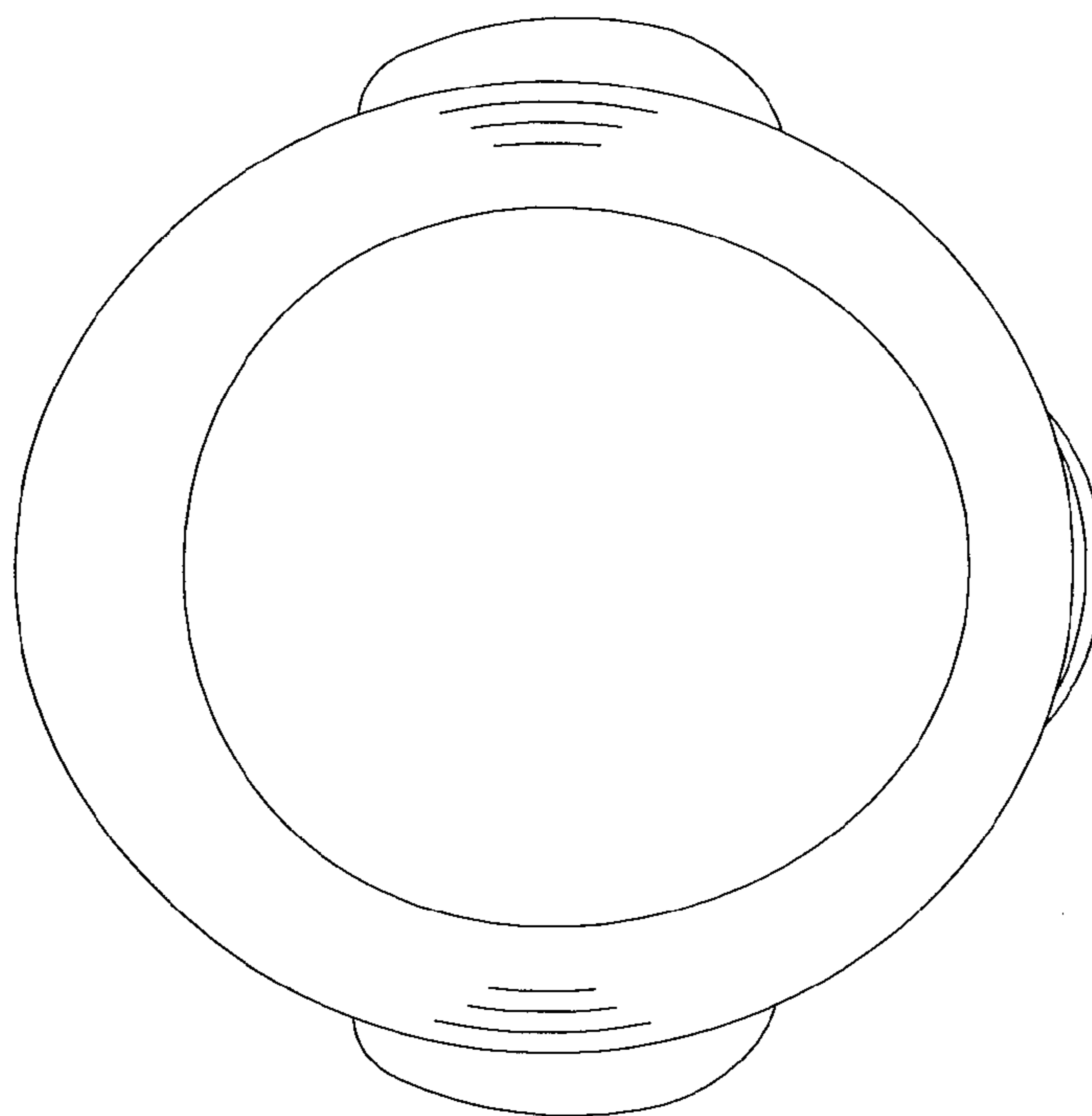


FIG. 7



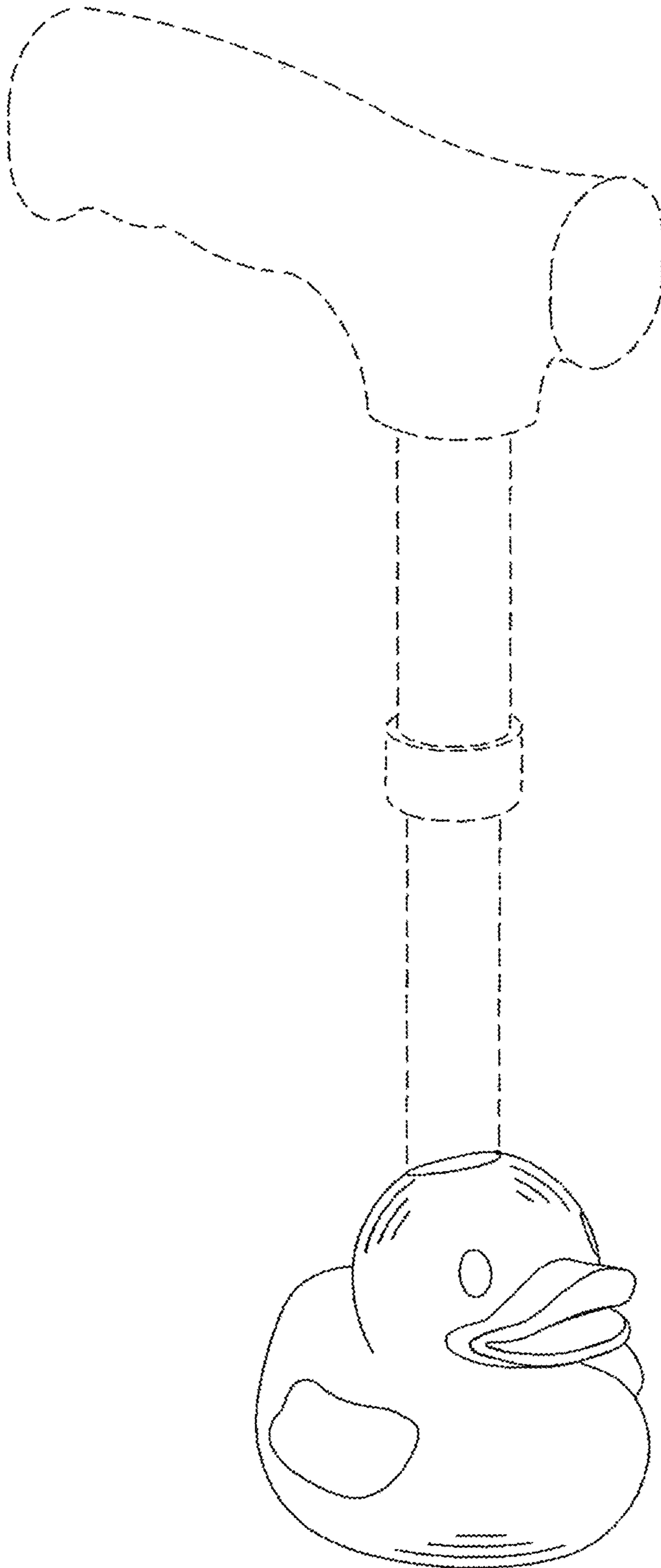


FIG. 8