



US00D750364S

(12) **United States Design Patent**
Lah

(10) **Patent No.:** **US D750,364 S**
(45) **Date of Patent:** **** Mar. 1, 2016**

(54) **LOCK LEVER FOR WALKING STICK**

(71) Applicant: **Jeh-Kun Lah**, Seoul (KR)

(72) Inventor: **Jeh-Kun Lah**, Seoul (KR)

(**) Term: **14 Years**

(21) Appl. No.: **29/463,145**

(22) Filed: **Aug. 7, 2013**

Related U.S. Application Data

(63) Continuation-in-part of application No. 29/389,290, filed on Apr. 8, 2011, now abandoned.

(30) **Foreign Application Priority Data**

Oct. 11, 2010 (KR) 30-2010-0043980

(51) **LOC (10) Cl.** **03-03**

(52) **U.S. Cl.**
USPC **D3/10**

(58) **Field of Classification Search**

USPC D3/7, 10; D8/88, 105, 306, 308, 309,
D8/395, 396; D14/223, 226; D17/20;
D18/15; 135/29, 66, 72, 75, 76;
24/457; 294/100

CPC A45B 9/00; A45B 9/02; B25G 1/00
See application file for complete search history.

(56) **References Cited**

U.S. PATENT DOCUMENTS

4,962,957	A *	10/1990	Traber	294/100
5,277,391	A	1/1994	Haug et al.		
D451,371	S	12/2001	Borotto et al.		
D480,103	S *	9/2003	Stefanski et al.	D18/15
D580,262	S *	11/2008	Eason et al.	D8/396
D598,278	S *	8/2009	Herman	D8/395
D602,686	S *	10/2009	Patzak	D3/10
D606,297	S *	12/2009	Nardone et al.	D3/7

(Continued)

Primary Examiner — Sheryl Lane

Assistant Examiner — Catherine Posthauer

(74) *Attorney, Agent, or Firm* — Nixon Peabody LLP;
Jeffrey L. Costellia

(57) **CLAIM**

The ornamental design for a lock lever for walking stick, as shown and described.

DESCRIPTION

FIG. 1 is a perspective view of a lock lever for walking stick of the claimed design.

FIG. 2 is a front view of the lock lever for walking stick of FIG. 1.

FIG. 3 is a rear view of the lock lever for walking stick of FIG. 1.

FIG. 4 is a left side view of the lock lever for walking stick of FIG. 1.

FIG. 5 is a right side view of the lock lever for walking stick of FIG. 1.

FIG. 6 is a top plan view of the lock lever for walking stick of FIG. 1.

FIG. 7 is a bottom plan view of the lock lever for walking stick of FIG. 1.

FIG. 8 is a perspective view of the lock lever for walking stick of FIG. 1 in an alternate configuration with its lock lever lifted.

FIG. 9 is a bottom perspective view of the lock lever for walking stick of FIG. 1.

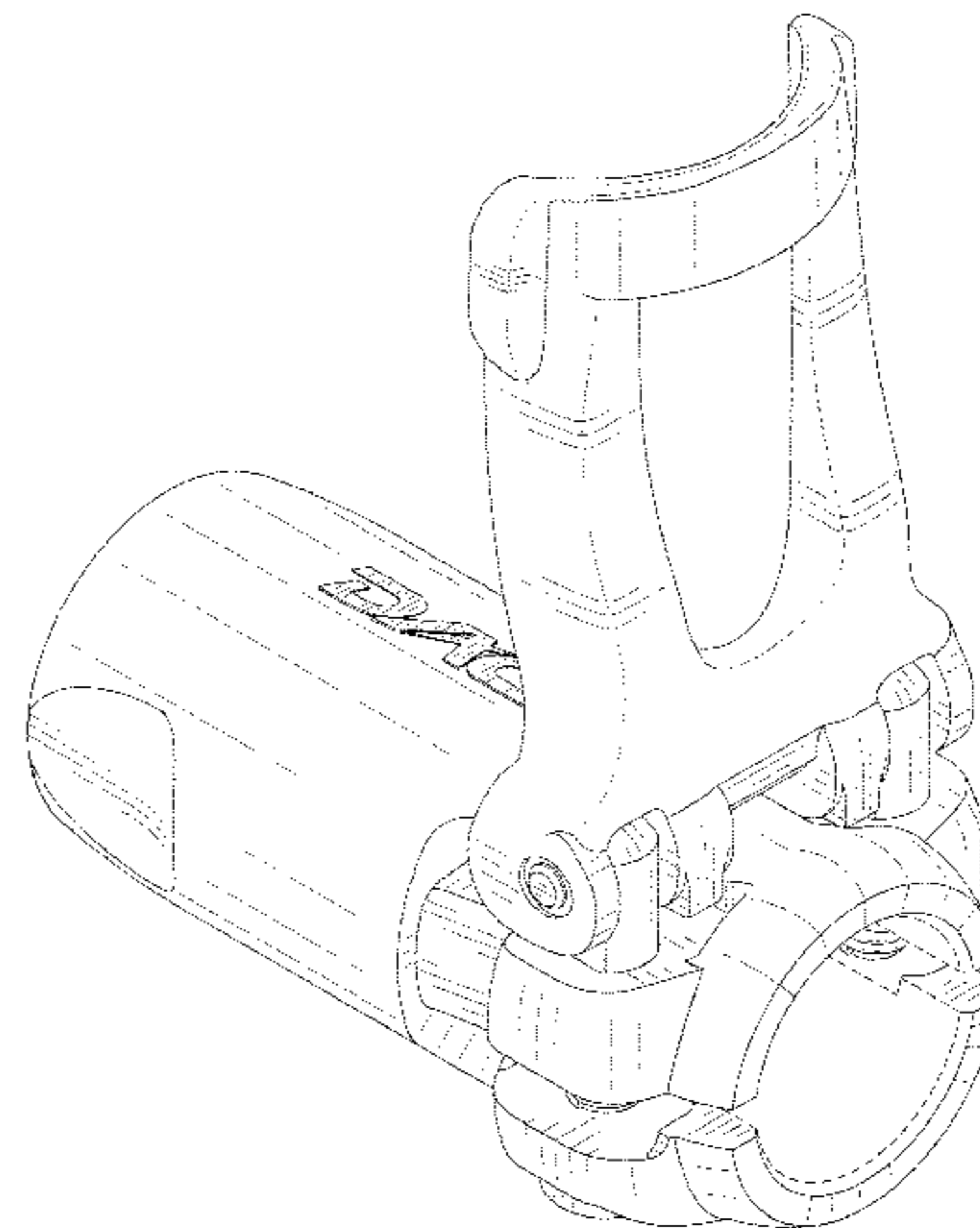
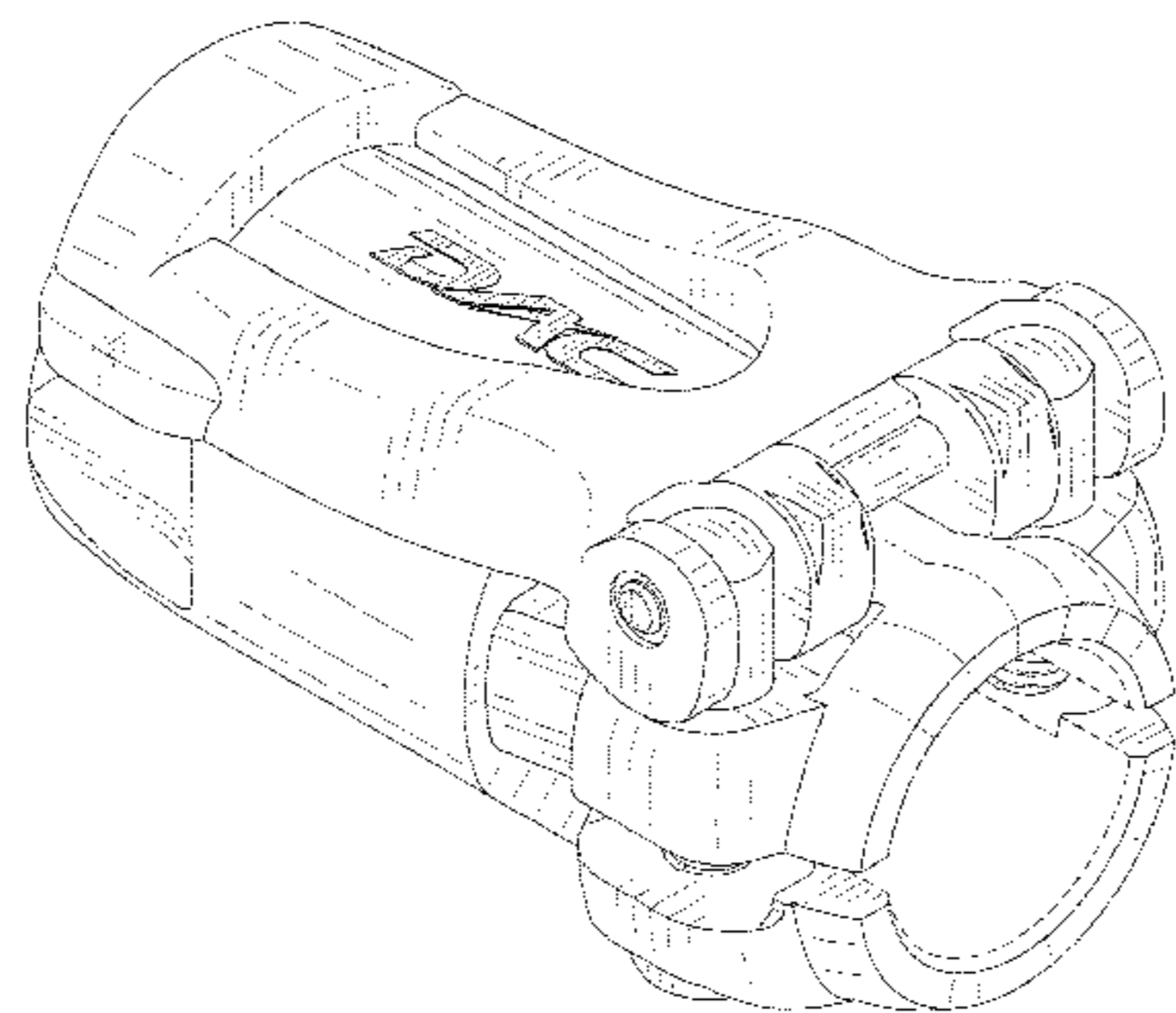
FIG. 10 is a rear perspective view of the lock lever for walking stick of FIG. 2; and,

FIG. 11 is a cross sectional view as taken through 11-11 of the lock lever for walking stick of FIG. 10.

The “DAC” logo in FIGS. 1, 6 and 8 is a registered trademark of Dongah Aluminum Corporation (DAC). The thin lines in the FIG. 4 depict the shapes of three-dimensional surface.

The broken lines are shown for the purpose of illustrating portions of the lock lever for walking stick that form no part of the claimed design.

1 Claim, 8 Drawing Sheets



(56)

References Cited

U.S. PATENT DOCUMENTS

D629,837 S *	12/2010	Ishihara et al.	D17/20	8,439,057 B2 *	5/2013	Parry et al.	135/66
D635,125 S *	3/2011	Nousiainen	D14/223	D684,849 S *	6/2013	Bylsma	D8/395
D647,394 S	10/2011	Taylor		D711,731 S *	8/2014	Sugiura	D8/396
8,047,217 B1	11/2011	Schermerhorn, Jr.		D713,233 S *	9/2014	Rubin et al.	D8/105
D650,257 S *	12/2011	Royes et al.	D8/105	8,832,910 B2 *	9/2014	Lah	24/457
8,082,935 B2 *	12/2011	Ma	135/29	D719,553 S *	12/2014	Noto	D14/226
D661,981 S	6/2012	Melino et al.		2009/0032077 A1 *	2/2009	Hines	135/66
8,381,748 B2 *	2/2013	Martin	135/66	2011/0073722 A1	3/2011	Meuret et al.	
				2011/0240078 A1 *	10/2011	Lenhart et al.	135/75
				2014/0261590 A1 *	9/2014	Riemer	135/66

* cited by examiner

FIG. 1

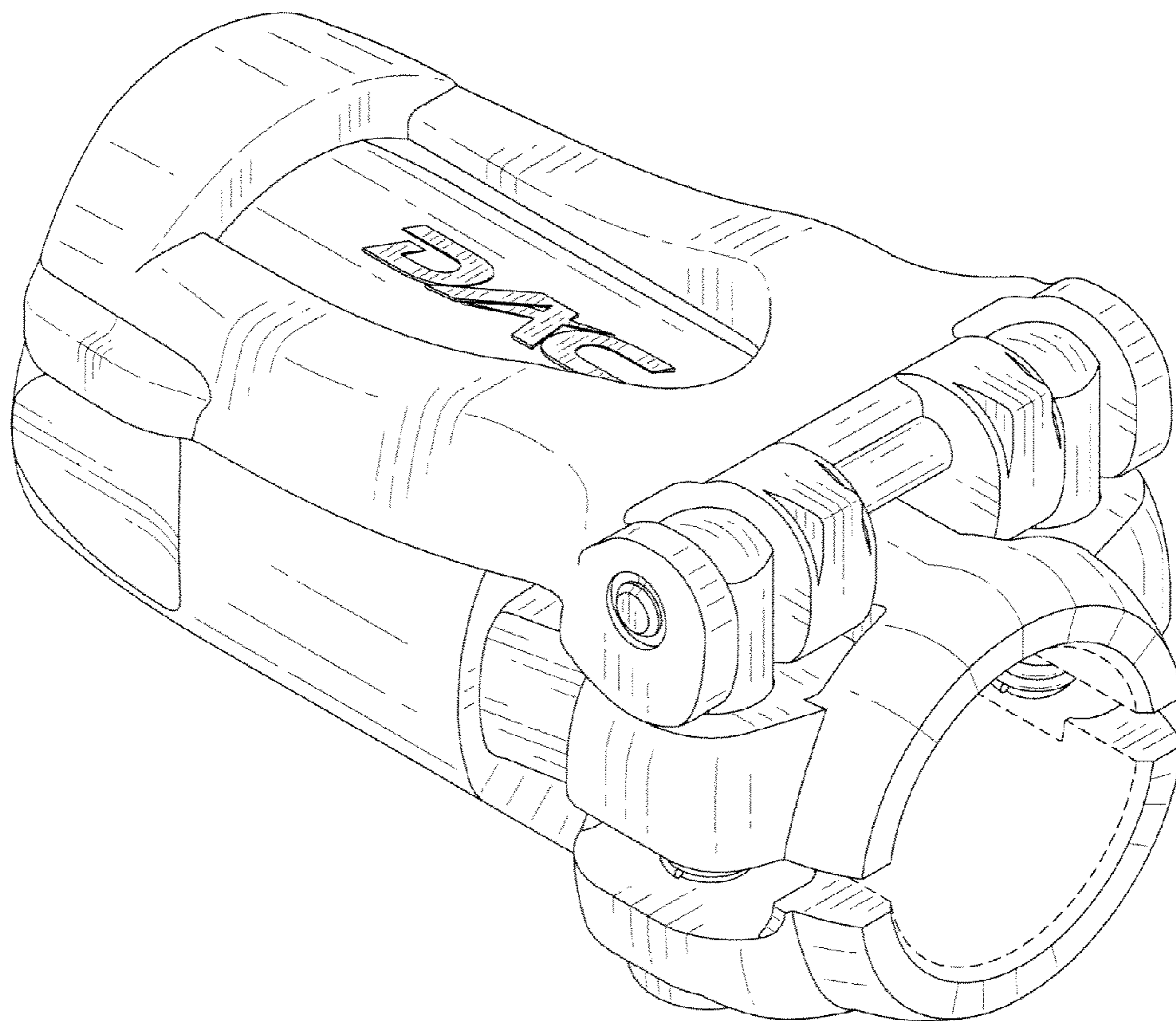


FIG. 2

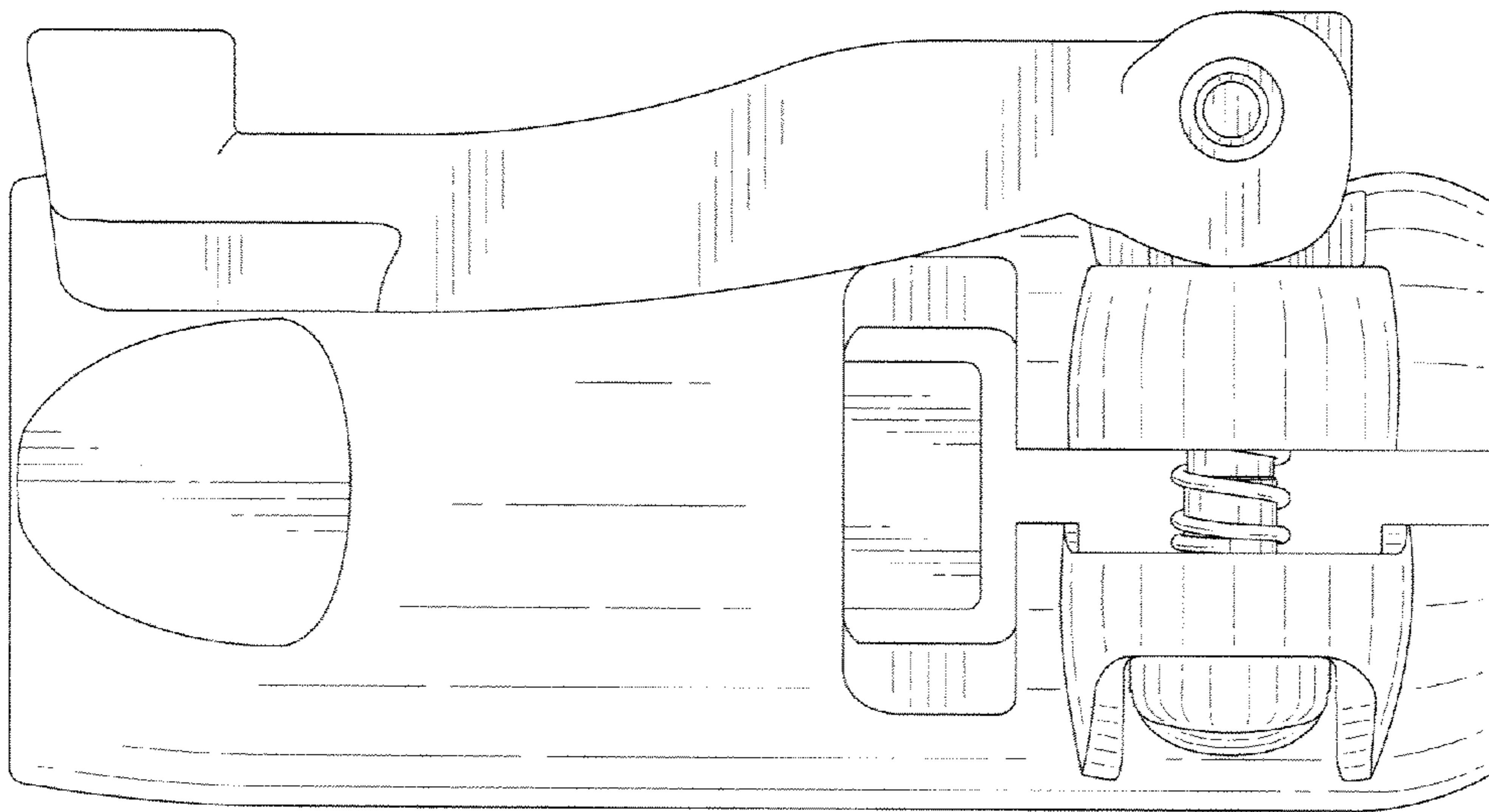


FIG. 3

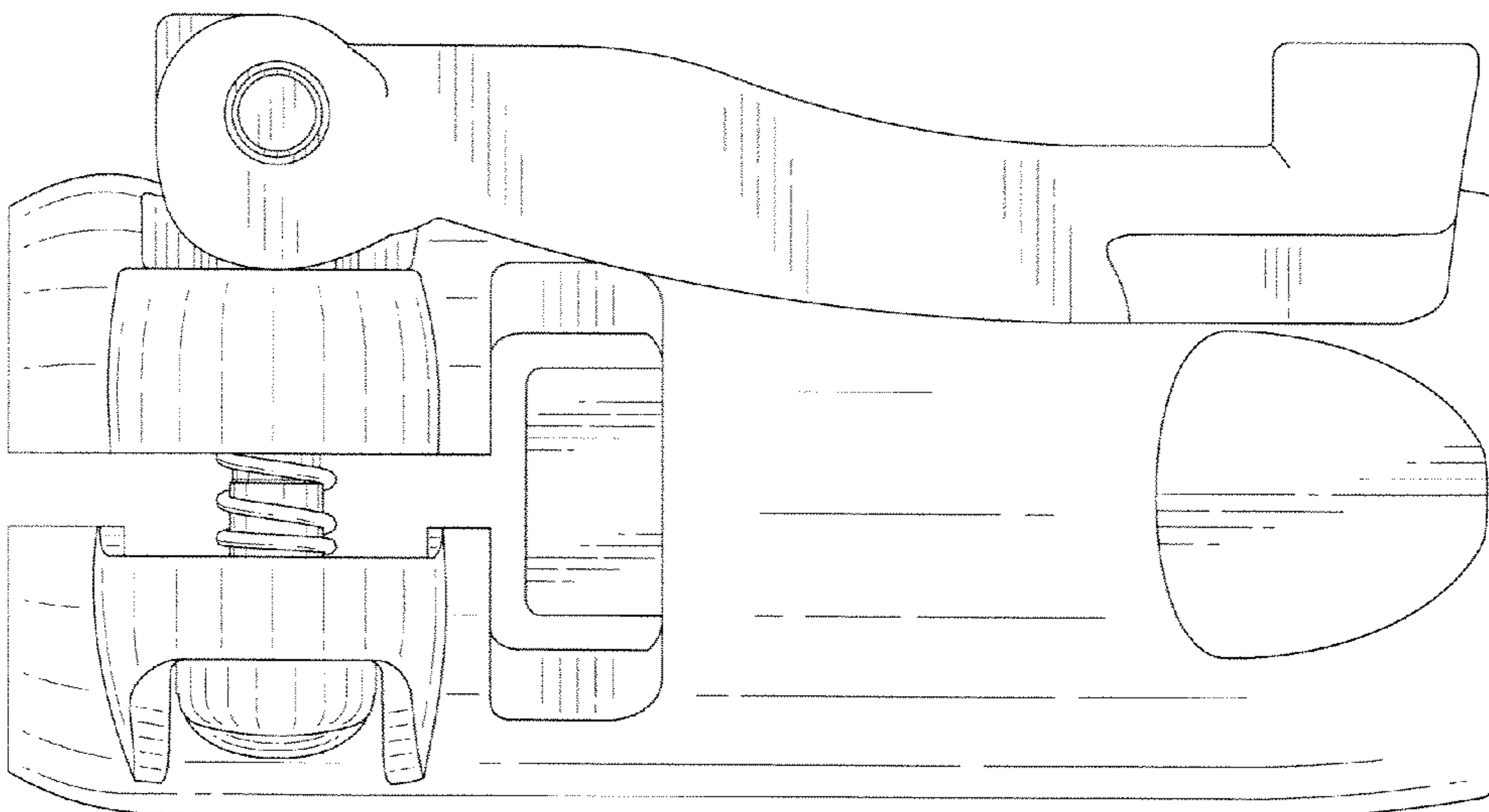


FIG. 4

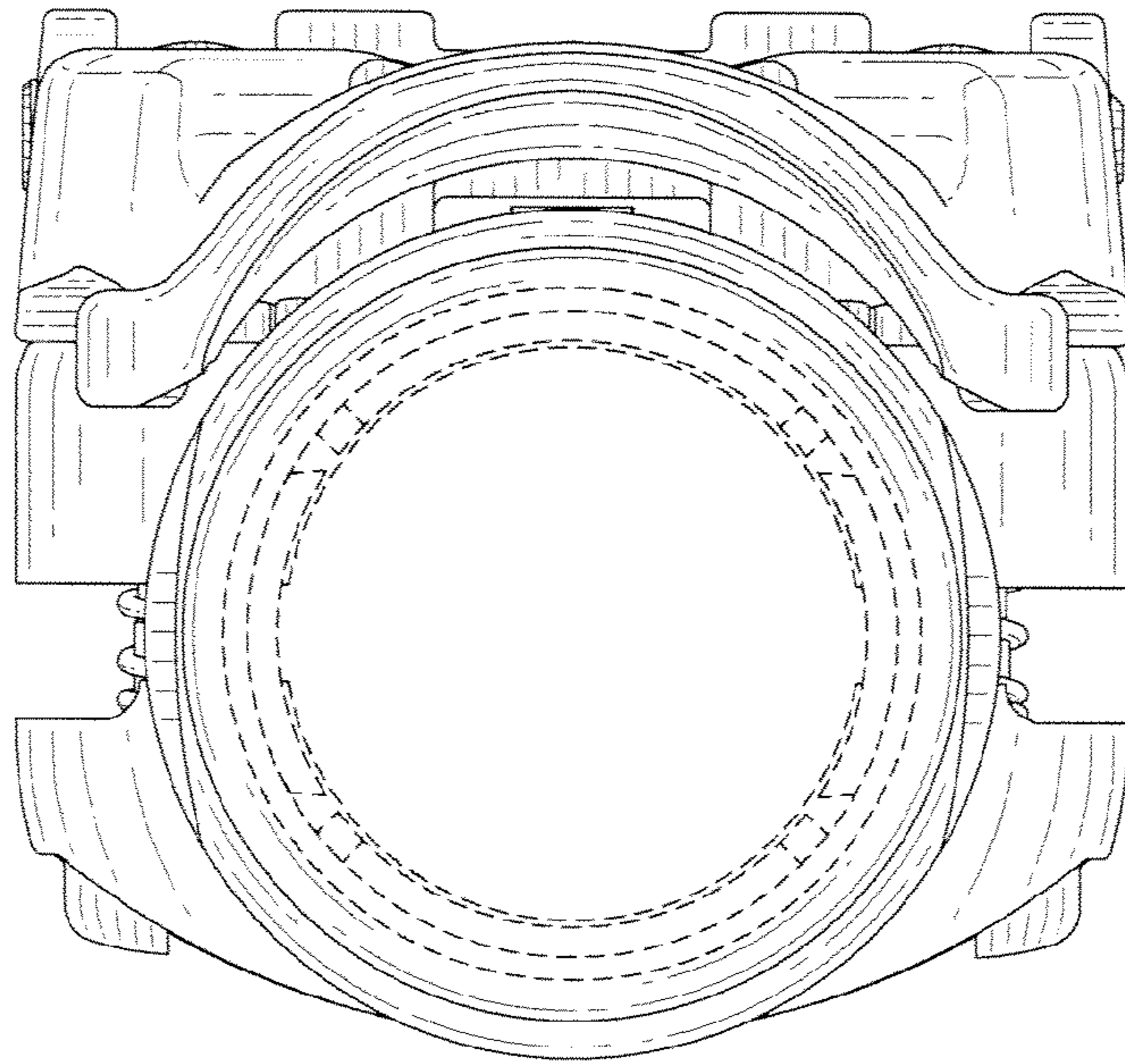


FIG. 5

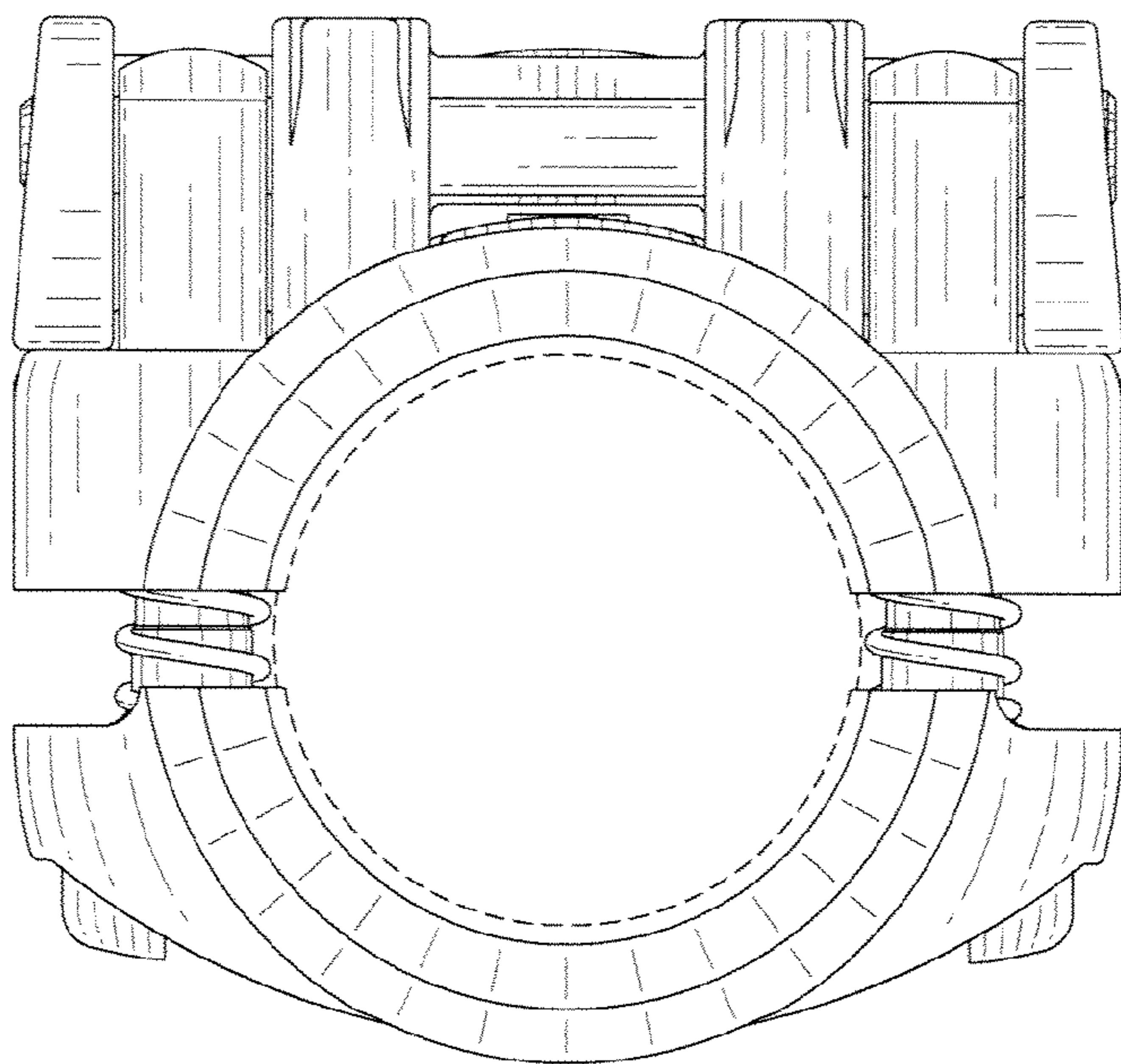


FIG. 6

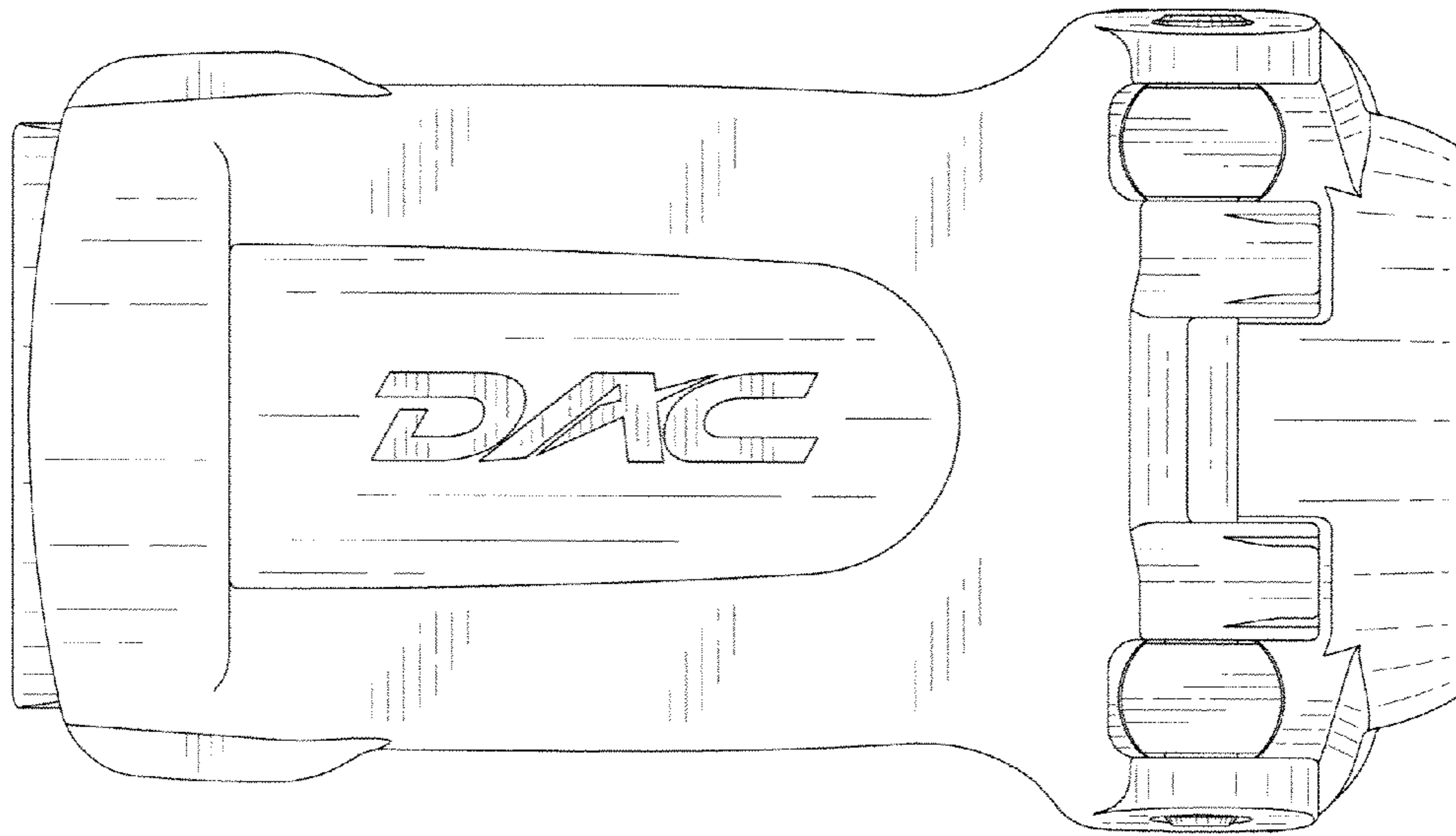


FIG. 7

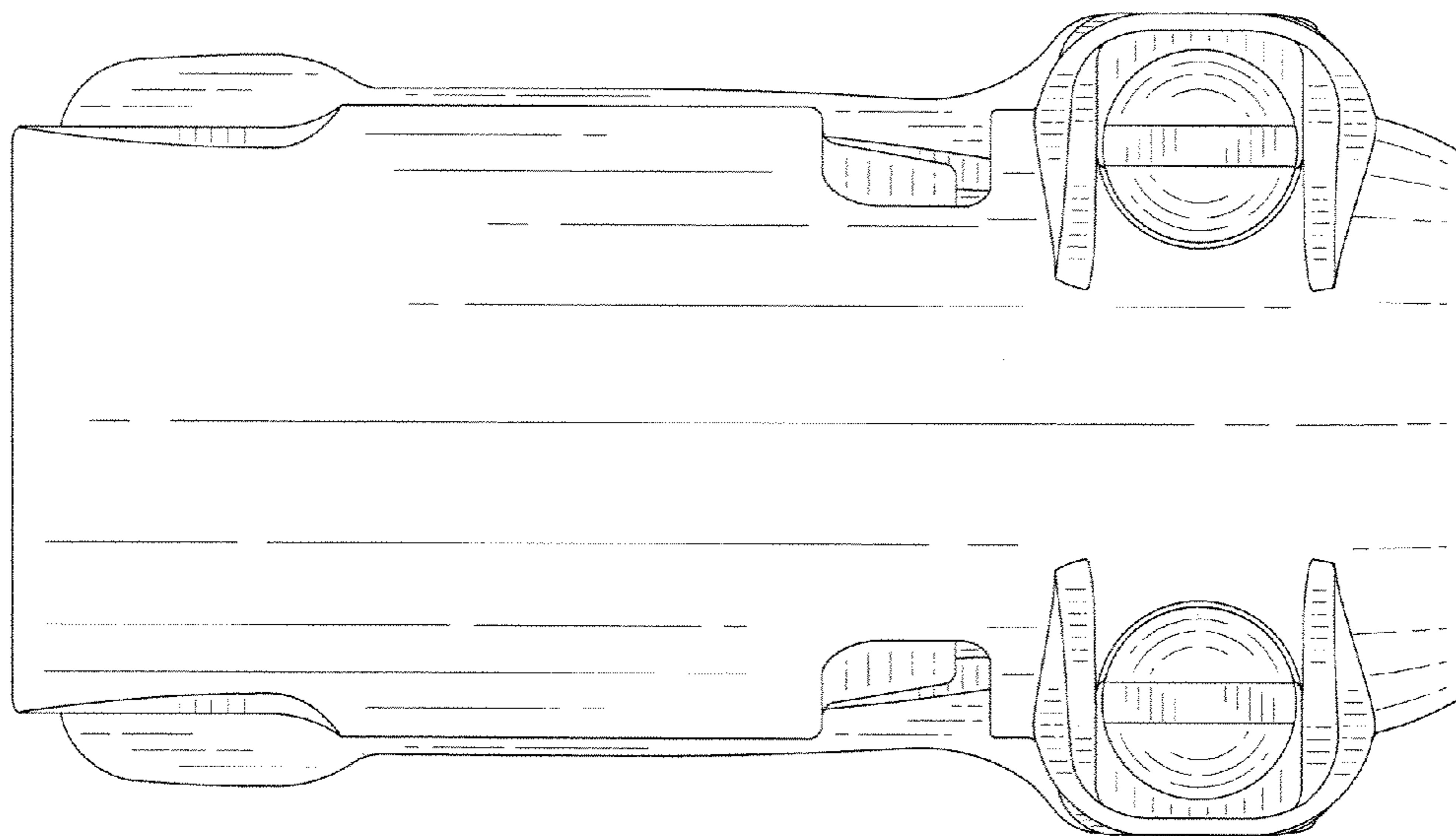


FIG. 8

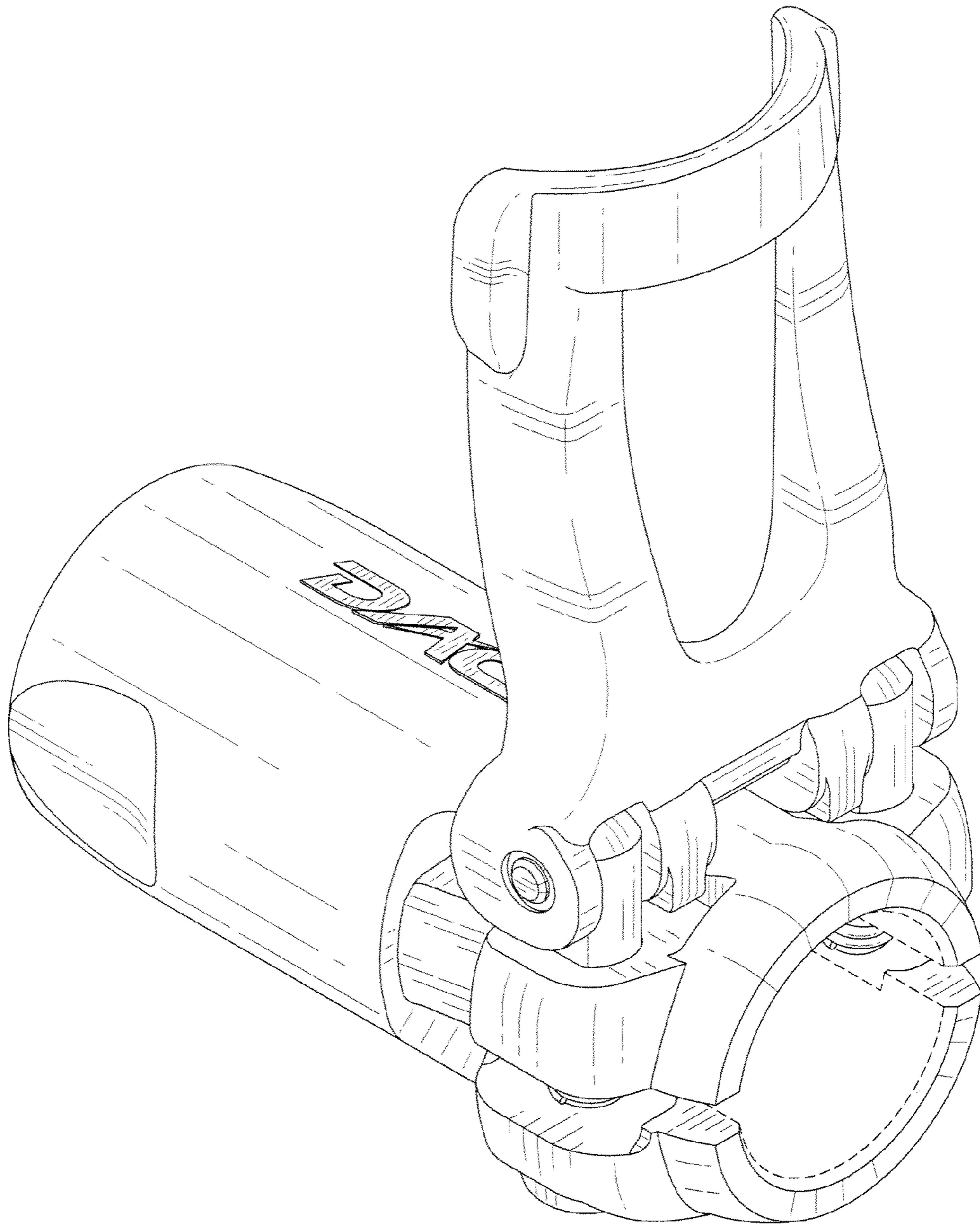


FIG. 9

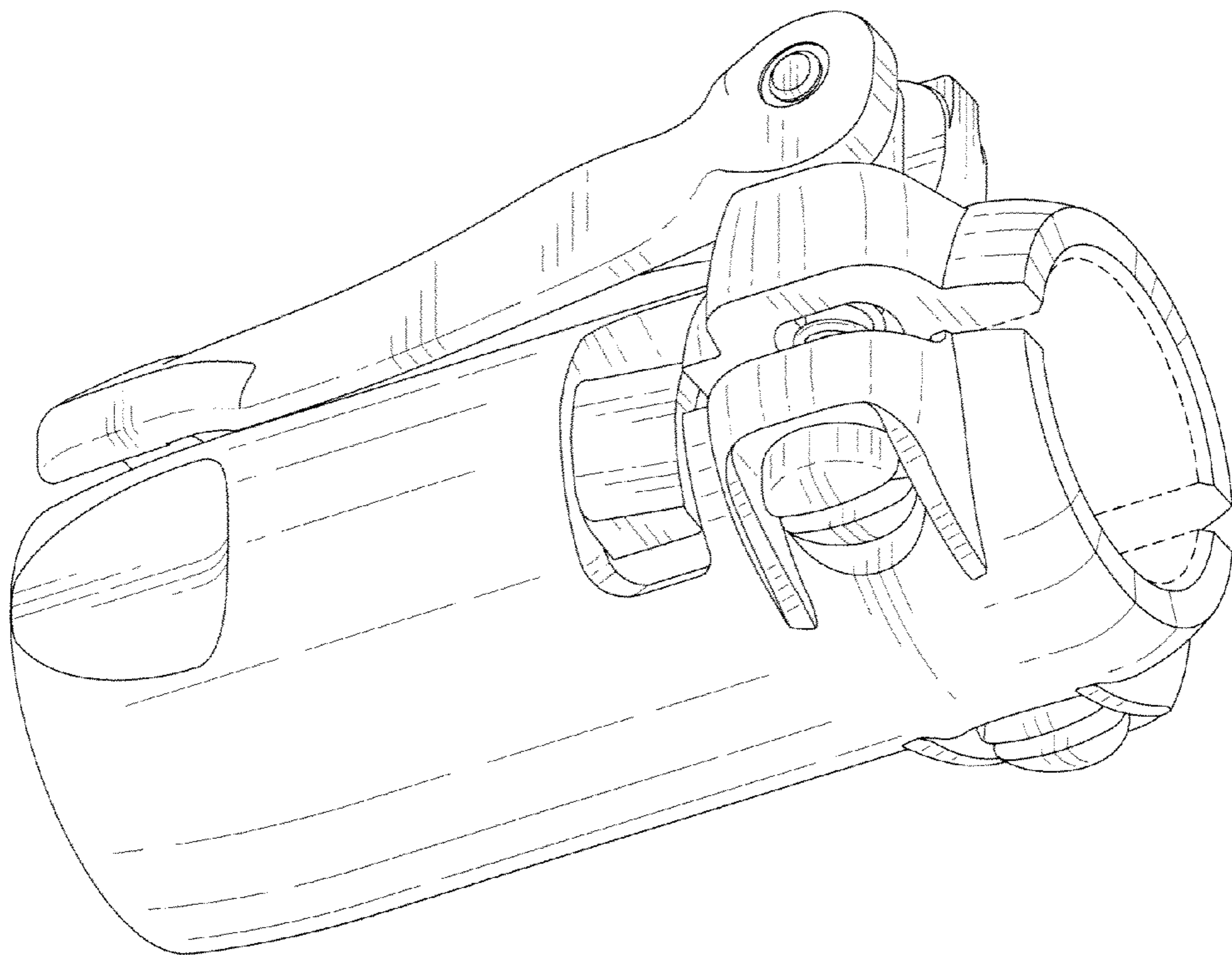


FIG. 10

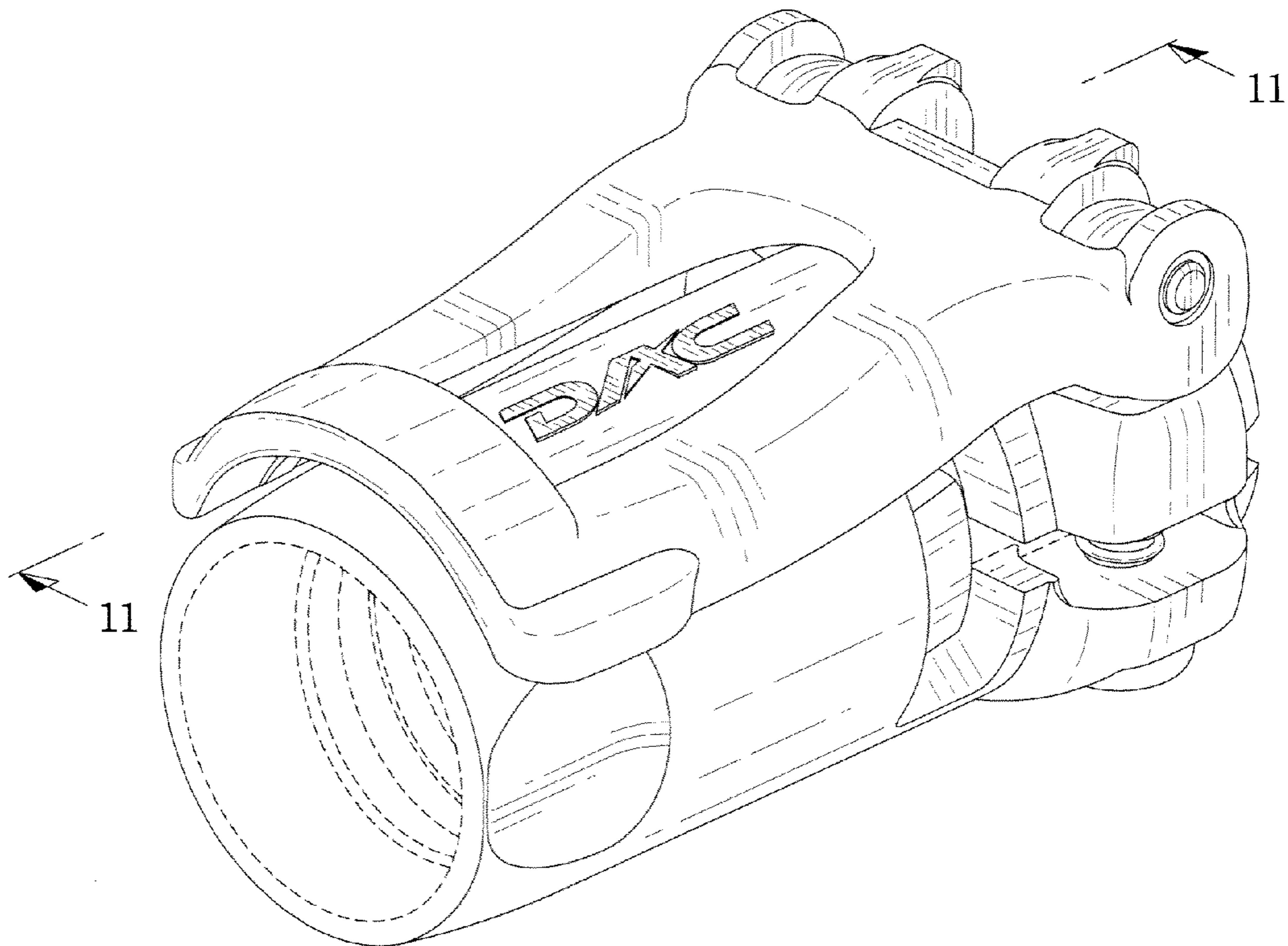


FIG. 11

