



US00D750354S

(12) **United States Design Patent**
O'Mara

(10) **Patent No.:** **US D750,354 S**
(45) **Date of Patent:** **** Mar. 1, 2016**

(54) **HOCKEY SKATE LACES SIMULATING HAT**

(71) Applicant: **Steve Peter O'Mara**, Mississauga (CA)

(72) Inventor: **Steve Peter O'Mara**, Mississauga (CA)

(73) Assignee: **JJM Manufacturing Ltd.**, Mississauga, Ontario (CA)

(**) Term: **14 Years**

(21) Appl. No.: **29/474,338**

(22) Filed: **Aug. 13, 2014**

(51) **LOC (10) Cl.** **02-03**

(52) **U.S. Cl.**
USPC **D2/882**

(58) **Field of Classification Search**
USPC D2/865, 866, 869, 871, 872, 874, 875, D2/876, 877, 881, 882, 884, 890, 891, 892, D2/893, 867, 886, 888, 889, 978; 2/171.1, 2/171.4, 171.5, 175.4, 182.8, 183, 195.1, 2/195.4, 195.5, 195.6, 200.1, 209.12, 2/209.13, 209.3, 209.7, 175.1, 175.3, 2/175.7, 195.3, 209.11, 209.4, 172, 2/175.9, 195.2

CPC A42B 1/004; A42B 1/006; A42B 1/02
See application file for complete search history.

(56) **References Cited**

U.S. PATENT DOCUMENTS

237,862	A *	2/1881	Hastings et al.	A42C 1/02 2/175.9
D61,617	S *	10/1922	Belaffsky	D2/887
1,651,929	A *	12/1927	Murnan	A42B 1/22 2/195.2
D111,704	S *	10/1938	Goldstein	D2/886
D117,873	S *	11/1939	Simon	D2/887
D132,916	S *	6/1942	Simon	D2/888
D155,444	S *	10/1949	Noped	D2/876
3,512,180	A *	5/1970	Bonk	A42B 1/066 2/172
D295,446	S *	4/1988	Lundell	D2/867
D297,584	S *	9/1988	Lenox	D2/866

D343,274	S *	1/1994	Paterek	D2/871
D346,689	S *	5/1994	Dwyer	D2/869
D374,331	S *	10/1996	Duggan	D2/865
D503,260	S *	3/2005	Kim	D2/865
D593,285	S *	6/2009	Olivo	D2/893
D600,891	S	9/2009	Fountain	
D625,082	S *	10/2010	Jones	D2/882
D638,613	S *	5/2011	Romo	D2/889
D641,961	S	7/2011	Kim	
D664,330	S *	7/2012	Wiggins	D2/888
D714,031	S *	9/2014	Javits, Jr.	D2/886
D716,528	S *	11/2014	Badish	D2/882
D717,023	S *	11/2014	Fisher	D2/882
2002/0095715	A1 *	7/2002	Hong	A42B 1/06 2/209.11

OTHER PUBLICATIONS

Conventional Hockey Skate Lace Photograph.
<http://www.wrigleyvillesports.com/Chicago-Blackhawks-Skate-Lacer-Snapback-Adjustable-Cap>.

* cited by examiner

Primary Examiner — Karen E. Eldridge Powers
Assistant Examiner — Kimberly Barnes

(57) **CLAIM**

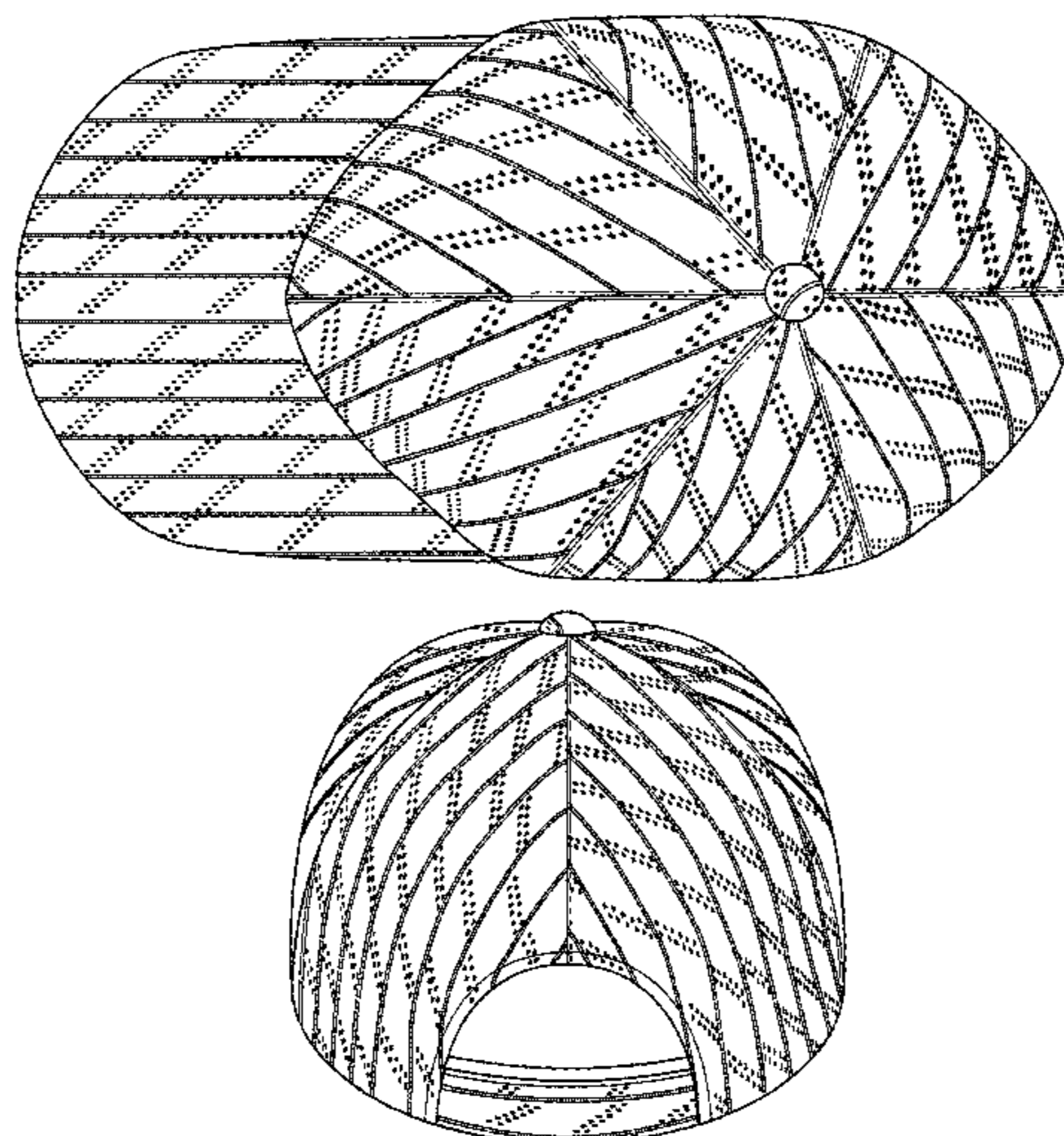
I claim the ornamental design for a hockey skate laces simulating hat, as shown and described.

DESCRIPTION

FIG. 1 is a top plan view of a hockey skate laces simulating hat showing my new design;
FIG. 2 is a bottom plan view thereof;
FIG. 3 is a right side elevational view thereof;
FIG. 4 is a left side elevational view thereof;
FIG. 5 is a front elevational view thereof; and,
FIG. 6 is a rear elevational view thereof.

The dotted lines on the laces forming a striated pattern form part of the claimed design. The finely-incremented dashed lines on the interior of the hat in FIGS. 2 and 5 illustrate environmental structure that forms no part of the claimed design.

1 Claim, 6 Drawing Sheets



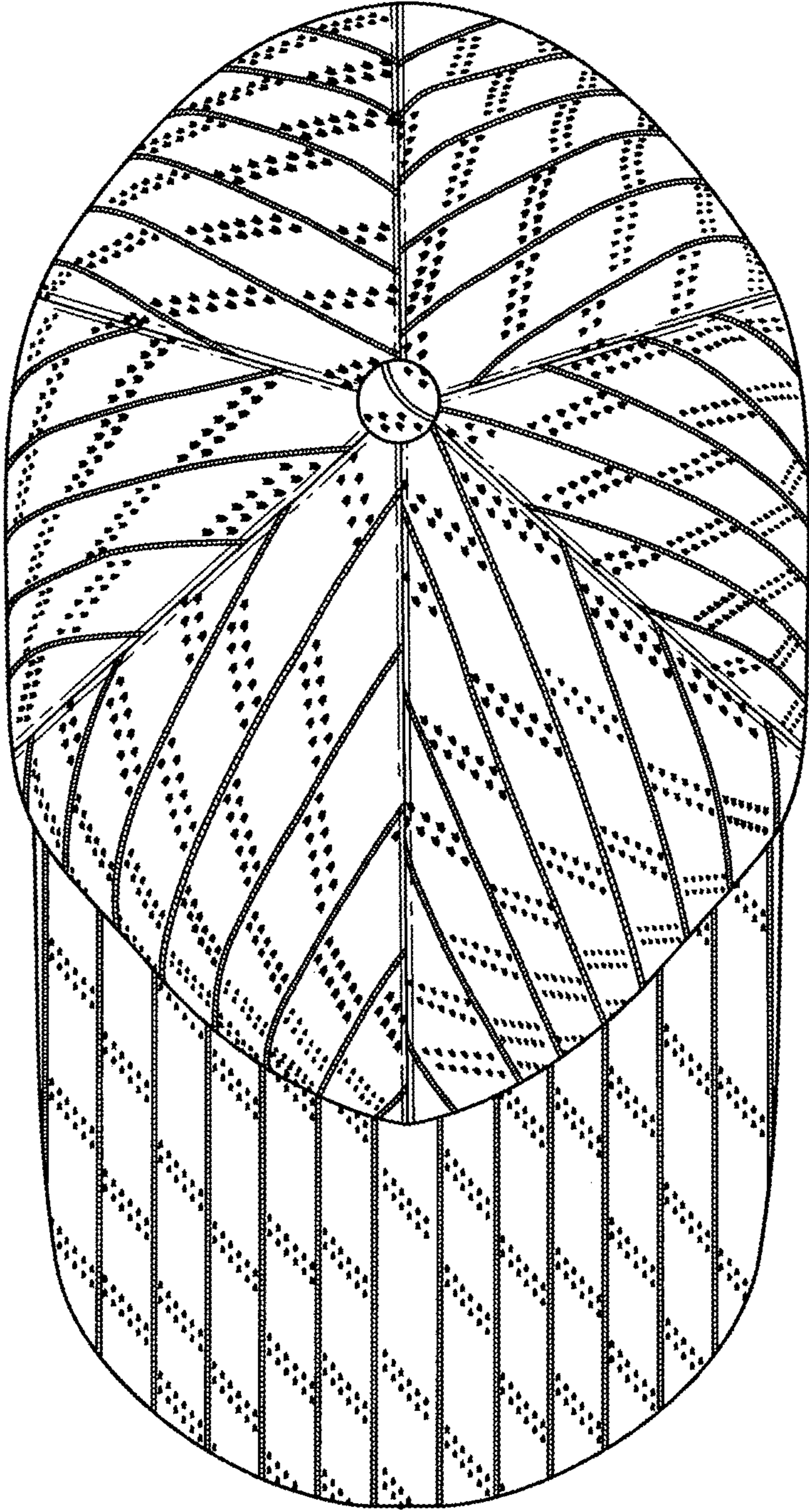


FIG. 1

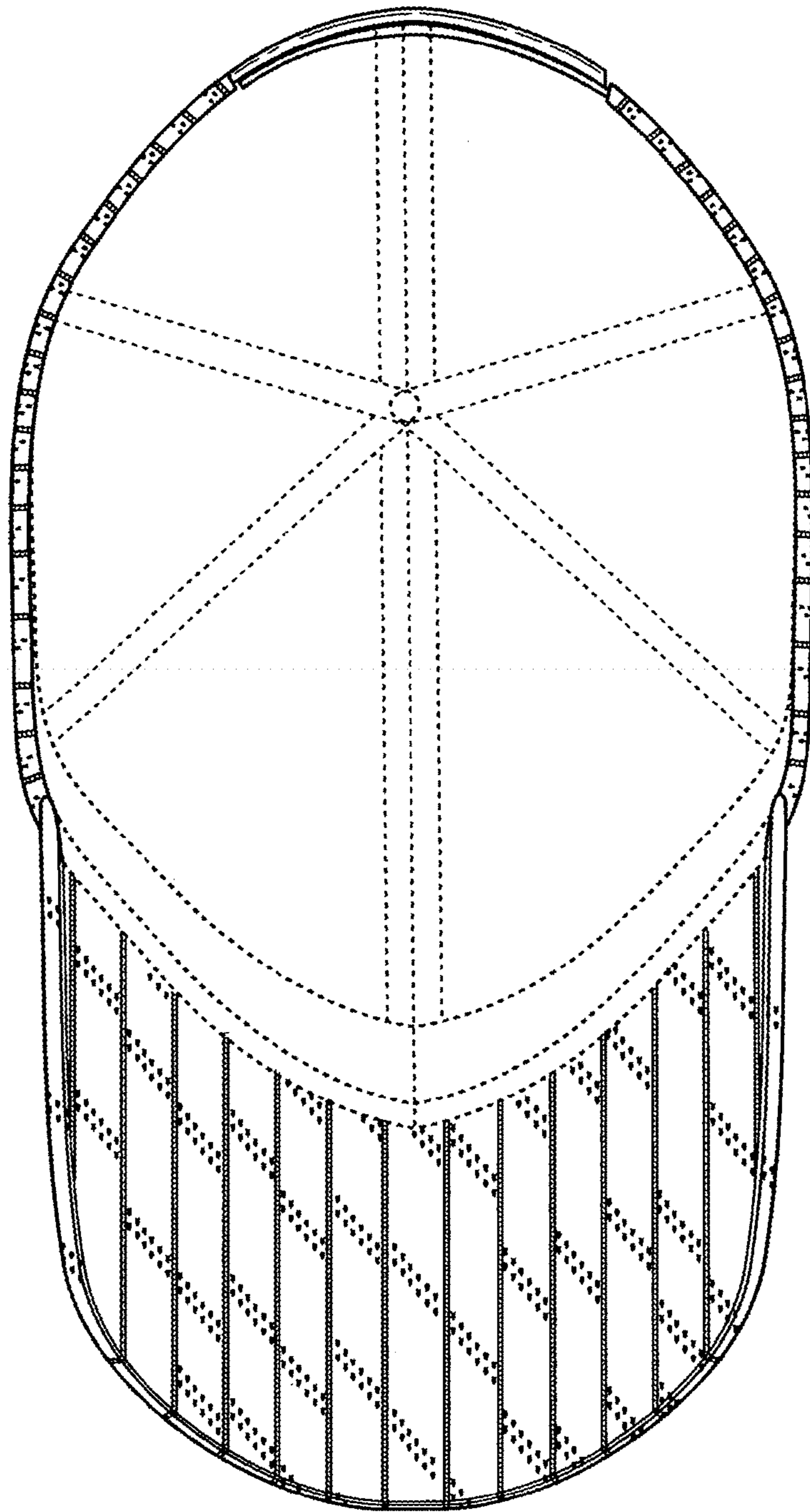


FIG. 2

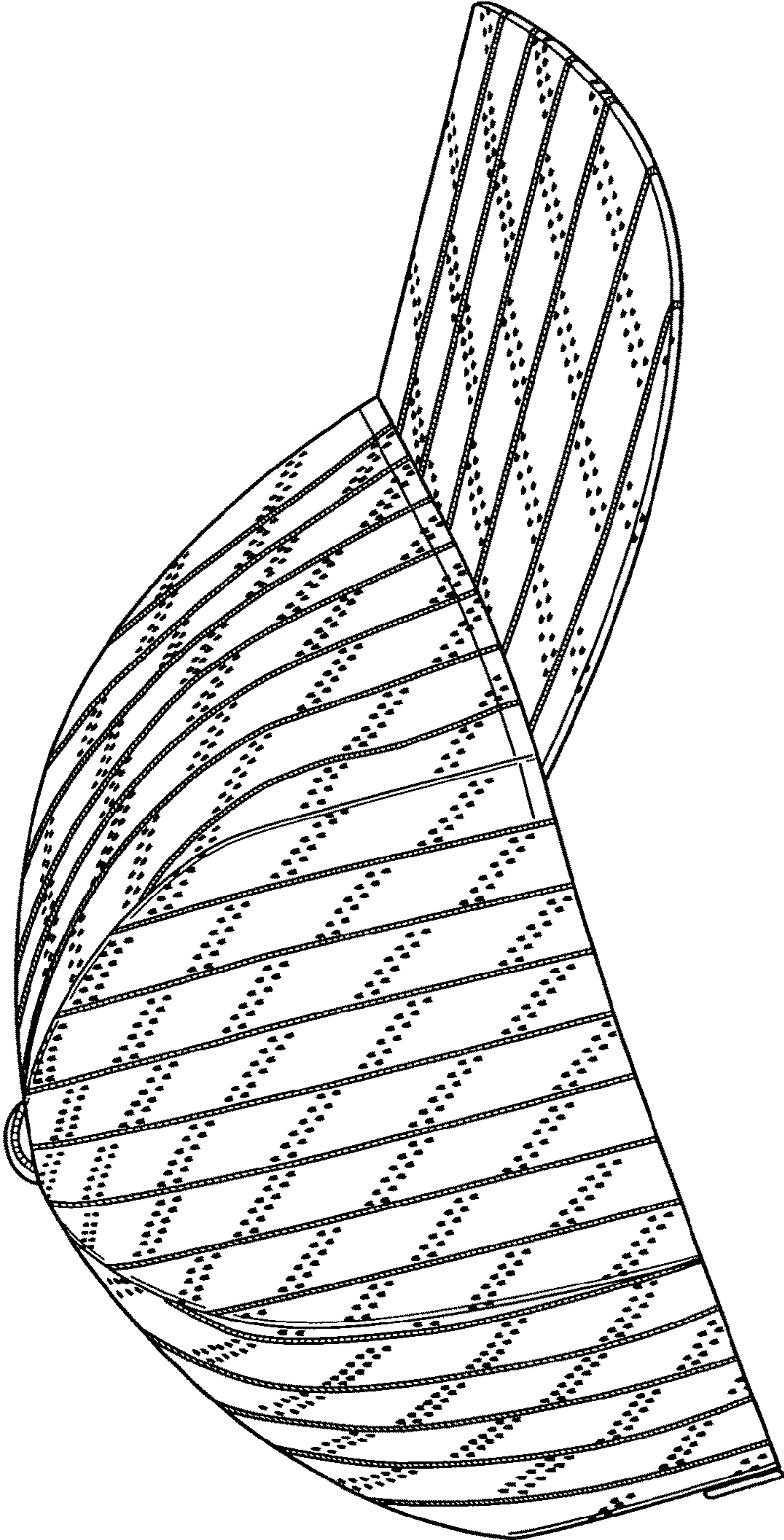


FIG. 3

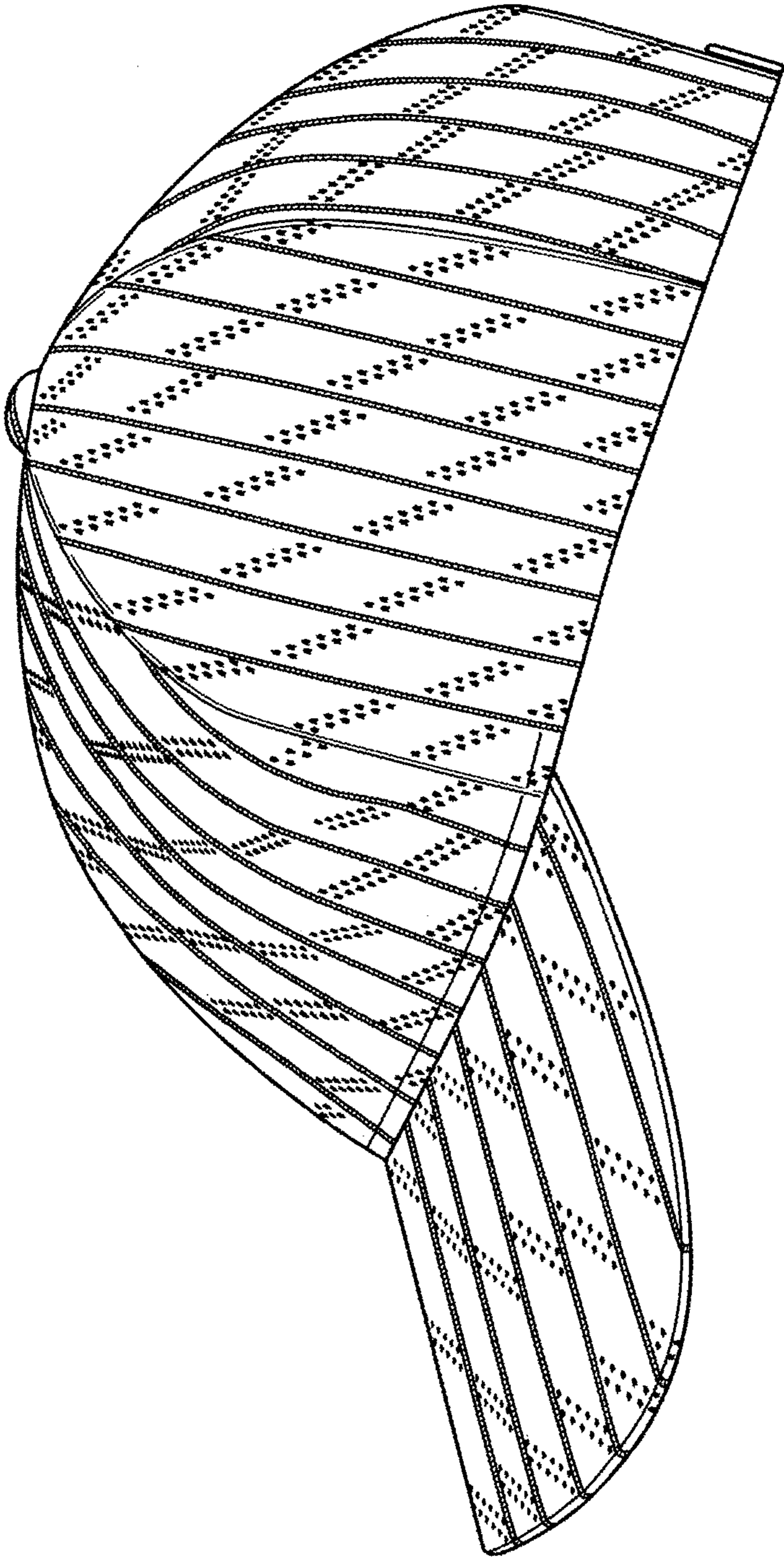


FIG. 4

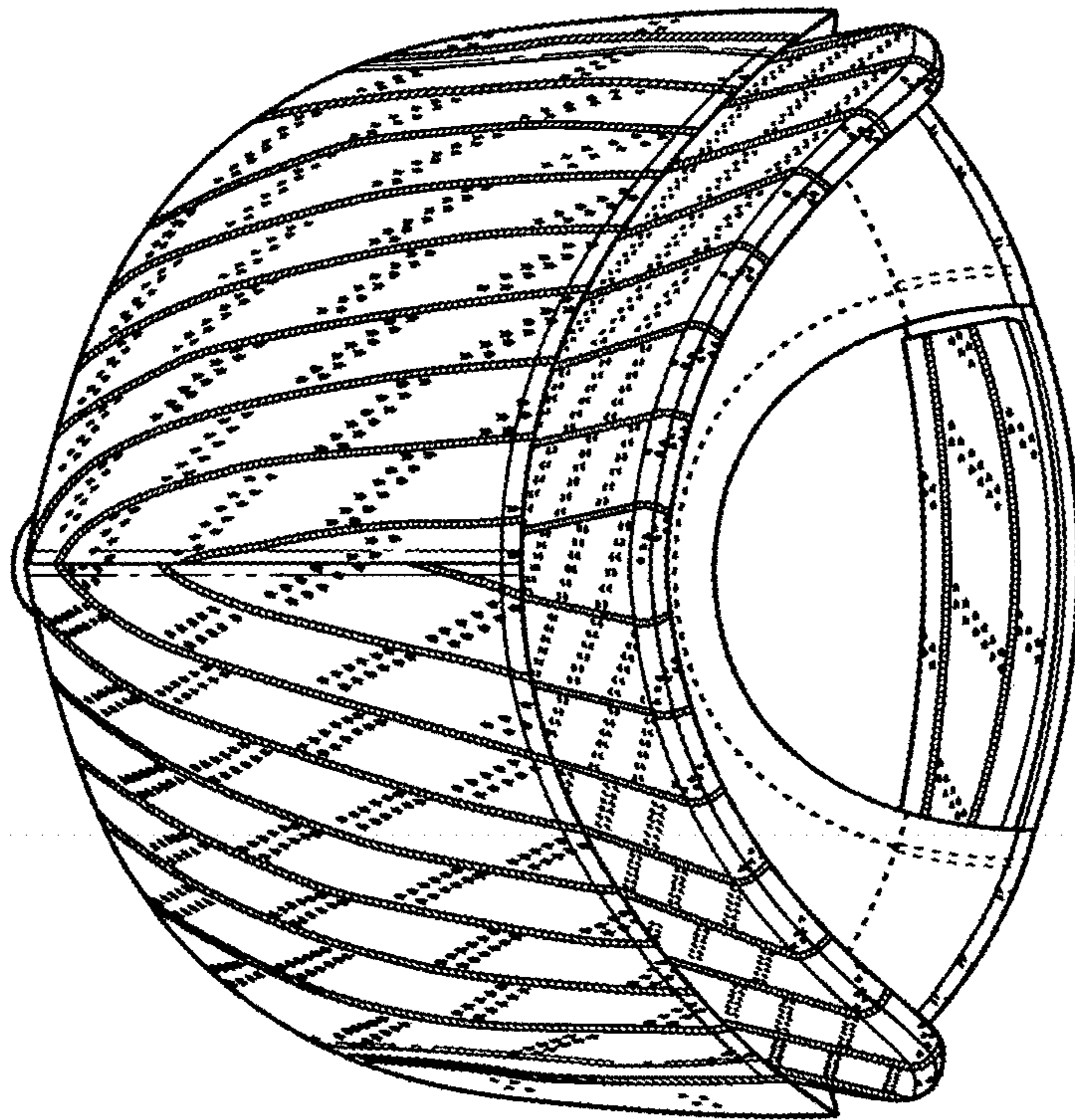


FIG. 5

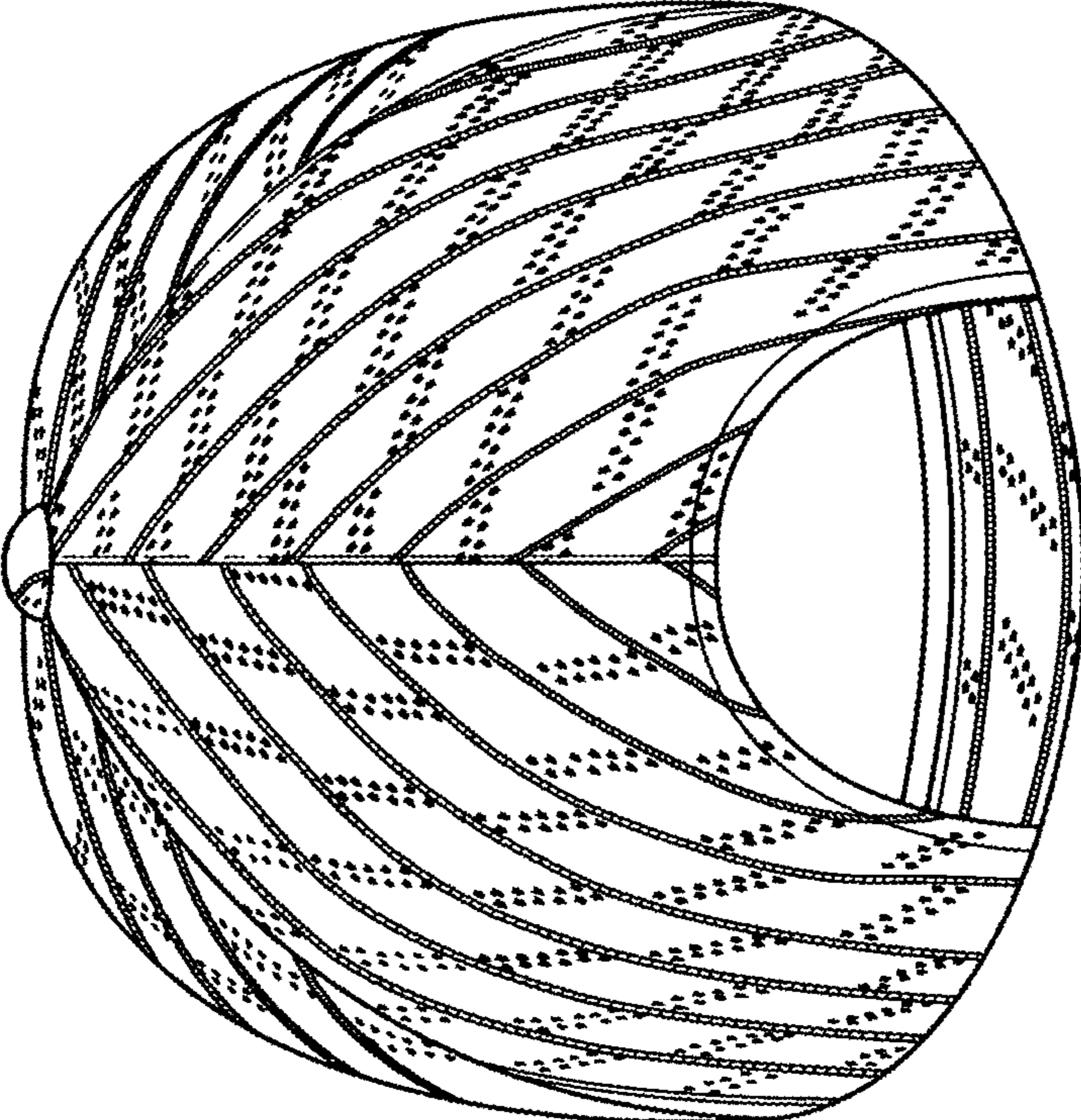


FIG. 6