



US00D750340S

(12) **United States Design Patent**
Stemen

(10) **Patent No.:** **US D750,340 S**

(45) **Date of Patent:** **** Feb. 23, 2016**

(54) **LOCK BOX**

(71) Applicant: **Adrienne Stemen**, Cleveland, OH (US)

(72) Inventor: **Adrienne Stemen**, Cleveland, OH (US)

(73) Assignee: **Adie, LLC**, Cleveland, OH (US)

(**) Term: **14 Years**

(21) Appl. No.: **29/459,243**

(22) Filed: **Jun. 27, 2013**

(51) **LOC (10) Cl.** **99-00**

(52) **U.S. Cl.**

USPC **D99/28**

(58) **Field of Classification Search**

USPC D99/28, 34, 35, 36, 43, 99

CPC E05B 65/0075; E05B 65/0078; E05B

65/0082; F42B 35/00; E05G 1/00; E05G

1/005; E05G 1/02; E05G 1/024; E05G 1/026;

E05G 1/04; E05G 1/10; E05G 1/14; E05G

5/00; E05G 5/003; E05G 2700/00; E05G

2700/02; E05G 2700/04; G07D 11/0006;

G07D 11/0009; G07D 9/02; G07D 11/00;

G07D 9/002; G07D 9/06; G07F 9/06; A47B

63/065; B60R 7/087; A45C 1/12; A45C

2001/125

See application file for complete search history.

(56) **References Cited**

U.S. PATENT DOCUMENTS

| | | | | | | |
|-----------|---|---|---------|-----------------|-------|---------|
| 746,205 | A | * | 12/1903 | Valentine | | 232/4 R |
| D273,908 | S | * | 5/1984 | Hoogeveen | | D99/28 |
| D289,582 | S | * | 5/1987 | Brush et al. | | D3/281 |
| D291,139 | S | * | 7/1987 | Warwicker | | D99/28 |
| 4,744,445 | A | * | 5/1988 | Anderson et al. | | 190/107 |
| 4,971,390 | A | | 11/1990 | McGinley | | |
| D393,526 | S | * | 4/1998 | Robey et al. | | D99/28 |
| 6,085,671 | A | | 7/2000 | Kerr et al. | | |
| D474,596 | S | * | 5/2003 | Osiecki et al. | | D3/273 |

| | | | | | | |
|--------------|----|---|---------|----------------|-------|--------|
| D490,206 | S | * | 5/2004 | Perella et al. | | D99/28 |
| D493,936 | S | * | 8/2004 | Perella et al. | | D99/28 |
| D503,024 | S | * | 3/2005 | Perella et al. | | D99/28 |
| D503,503 | S | * | 3/2005 | Perella et al. | | D99/28 |
| D504,990 | S | * | 5/2005 | Perella et al. | | D99/28 |
| D511,035 | S | * | 10/2005 | Perella et al. | | D99/28 |
| D560,875 | S | * | 1/2008 | Decarlo et al. | | D99/28 |
| D572,425 | S | * | 7/2008 | Themistos | | D99/28 |
| D574,124 | S | * | 7/2008 | Huber | | D99/28 |
| D579,174 | S | * | 10/2008 | Decarlo et al. | | D99/28 |
| D617,974 | S | * | 6/2010 | Alfeld, Sr. | | D99/28 |
| D620,675 | S | * | 7/2010 | Doettling | | D99/28 |
| D667,195 | S | * | 9/2012 | Guo | | D99/28 |
| D668,047 | S | * | 10/2012 | Cenzano et al. | | D3/272 |
| D669,244 | S | * | 10/2012 | Gustafson | | D99/28 |
| D671,742 | S | * | 12/2012 | Cenzano et al. | | D3/272 |
| D671,743 | S | * | 12/2012 | Cenzano et al. | | D3/272 |
| D677,463 | S | * | 3/2013 | Cenzano et al. | | D3/272 |
| 2008/0196637 | A1 | * | 8/2008 | Howell et al. | | 109/38 |
| 2012/0298018 | A1 | | 11/2012 | McCabe | | |

* cited by examiner

Primary Examiner — Elizabeth J Oswecki

(74) *Attorney, Agent, or Firm* — McDonald Hopkins LLC

(57) **CLAIM**

The ornamental design for a lock box, as shown and described.

DESCRIPTION

FIG. 1 is a perspective view of a lock box showing my new design;

FIG. 2 is another perspective view thereof, shown in a used condition;

FIG. 3 is a top plan view thereof;

FIG. 4 is a bottom plan view thereof;

FIG. 5 is a back view thereof;

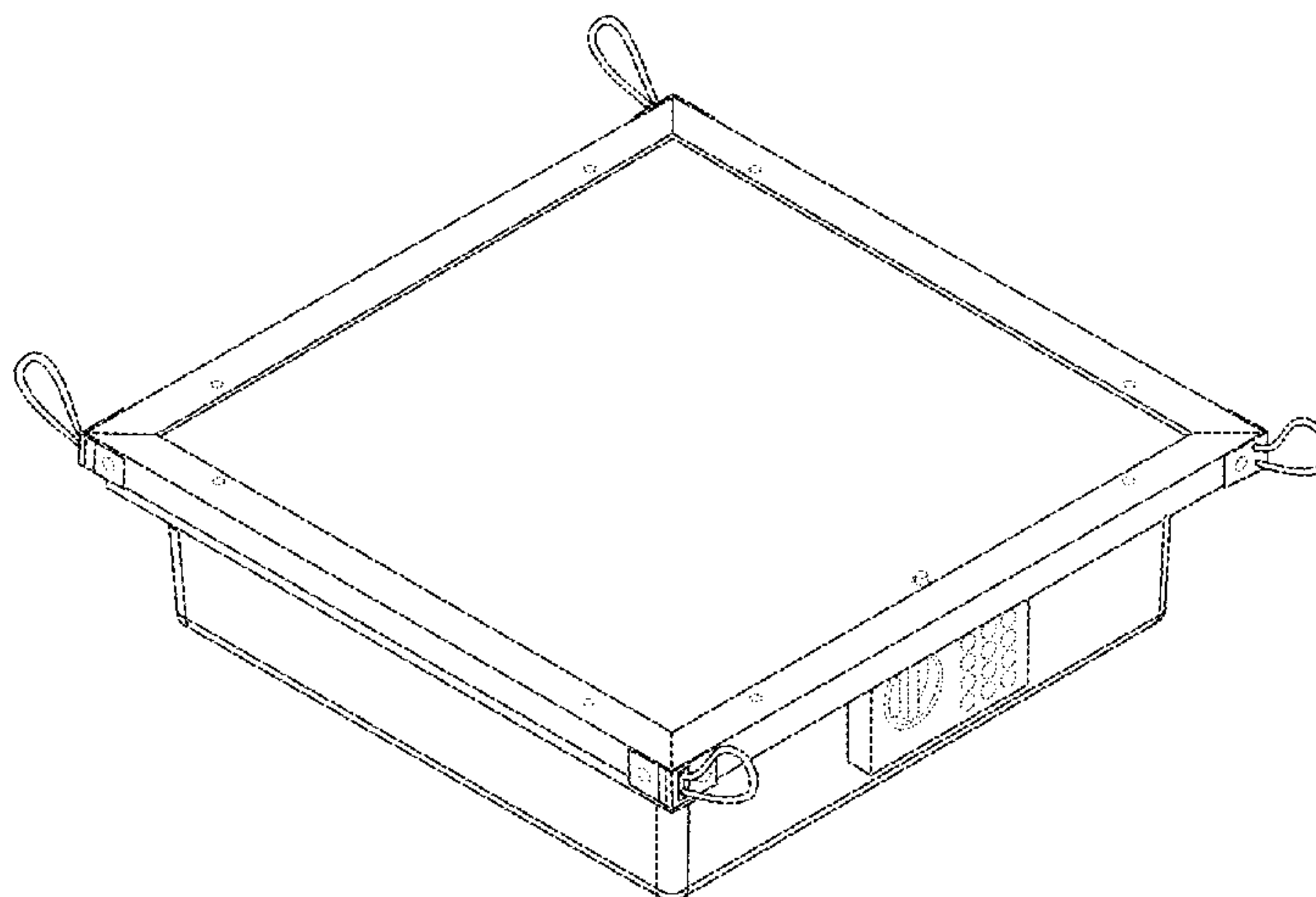
FIG. 6 is a side view thereof;

FIG. 7 is a front view thereof; and,

FIG. 8 is an opposite side view thereof.

The broken lines shown in the drawings represent portions of the lock box that form no part of the claimed design.

1 Claim, 3 Drawing Sheets



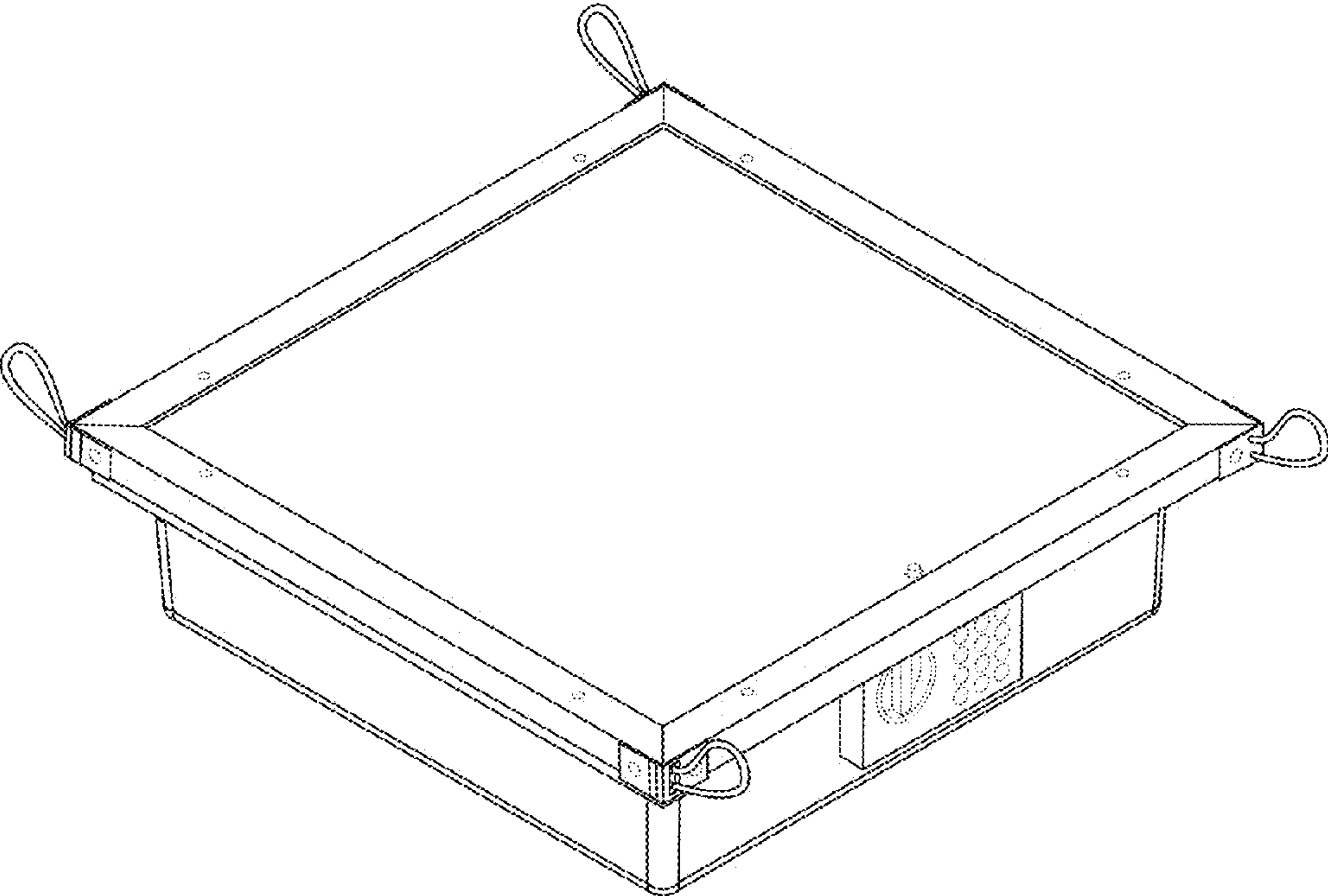


FIG. 1

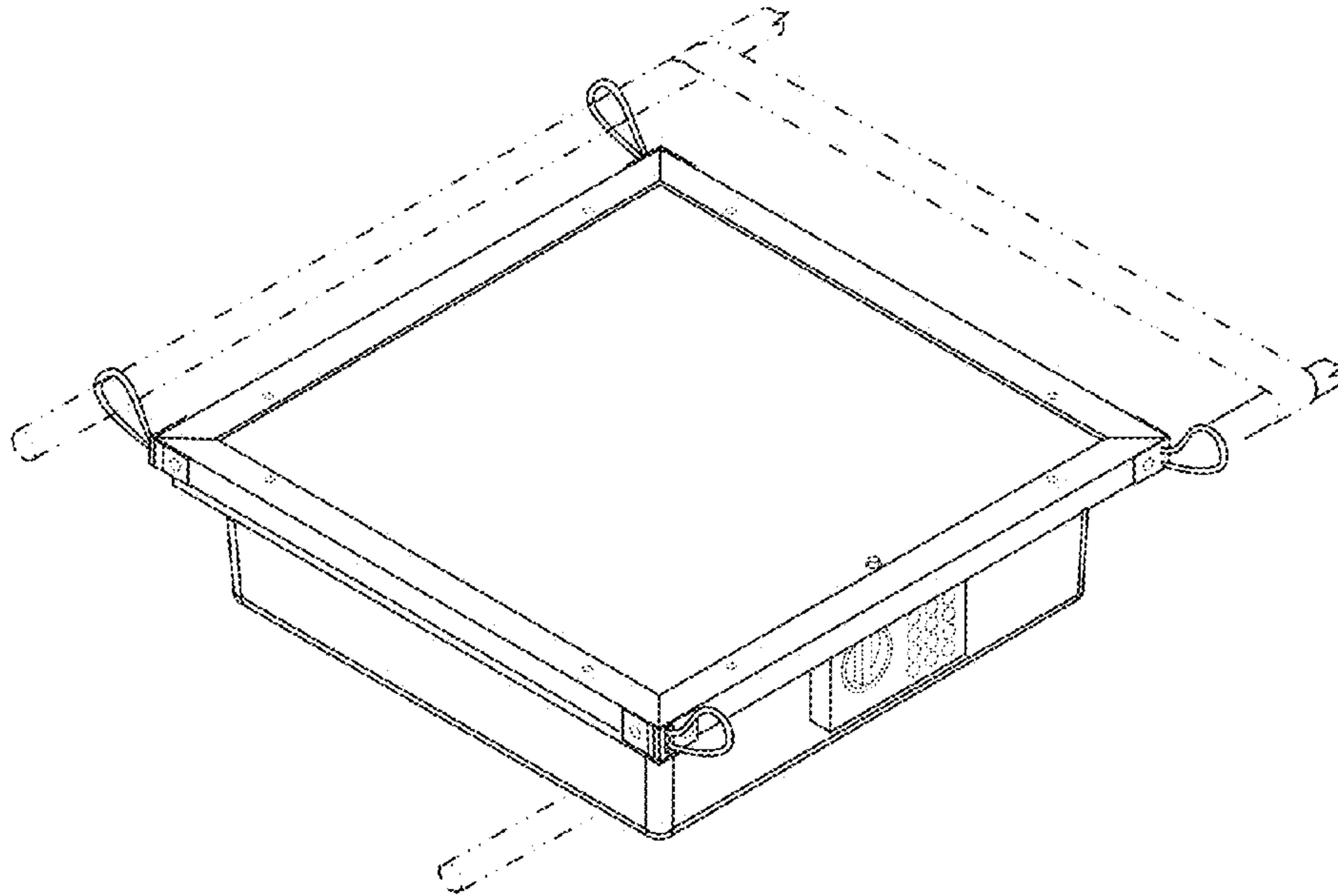


FIG. 2

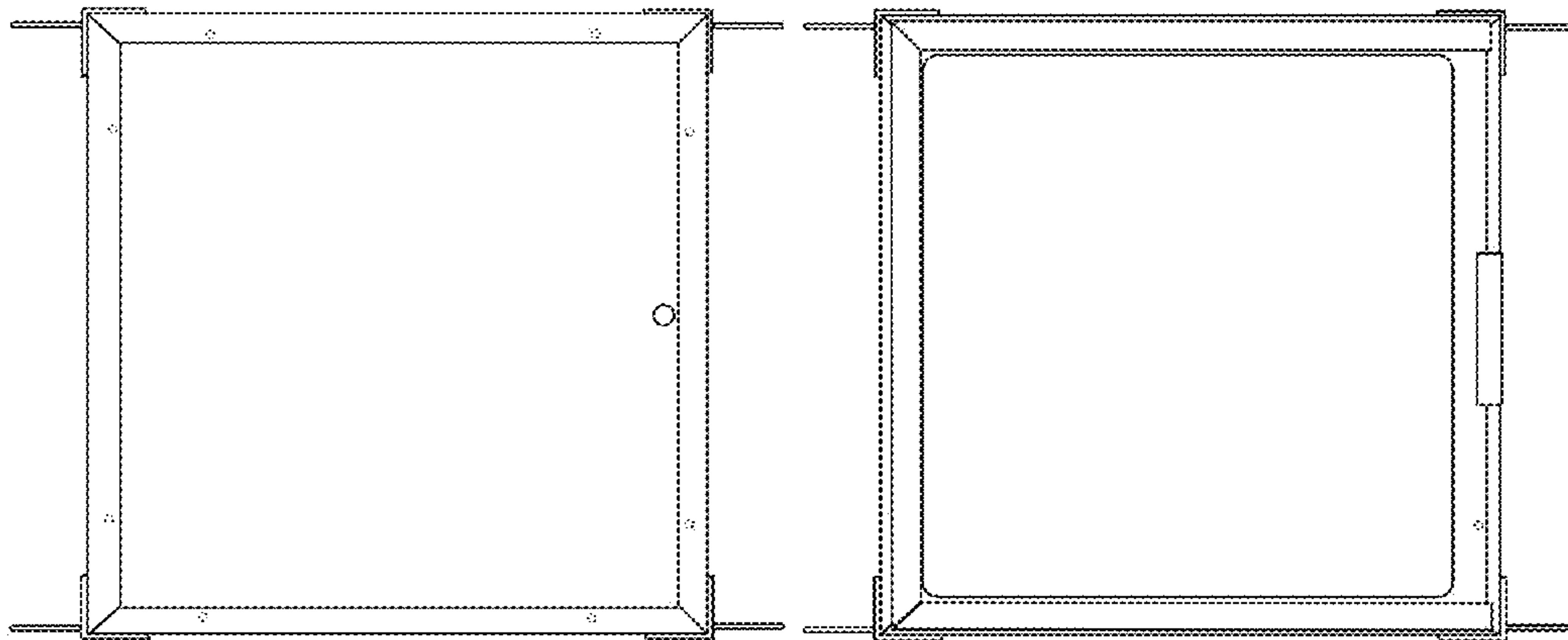


FIG. 3

FIG. 4

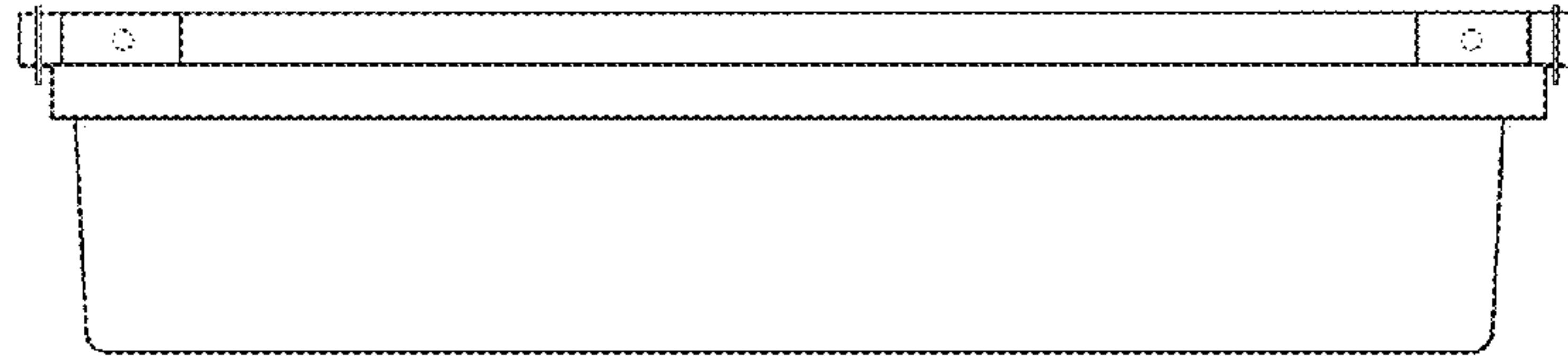


FIG. 5

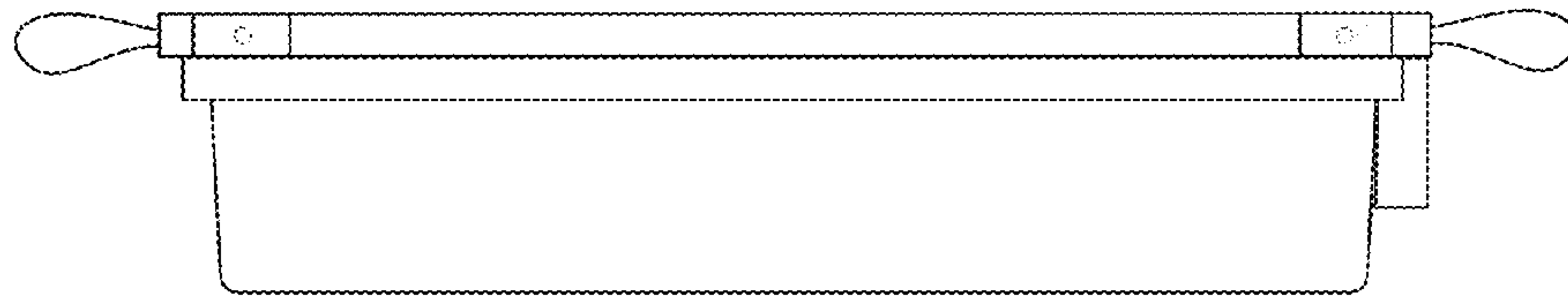


FIG. 6

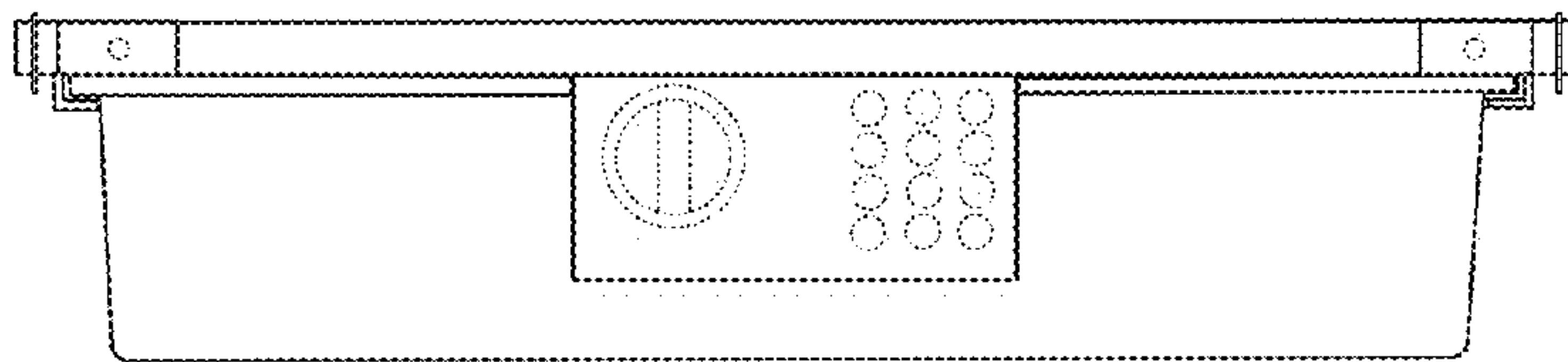


FIG. 7

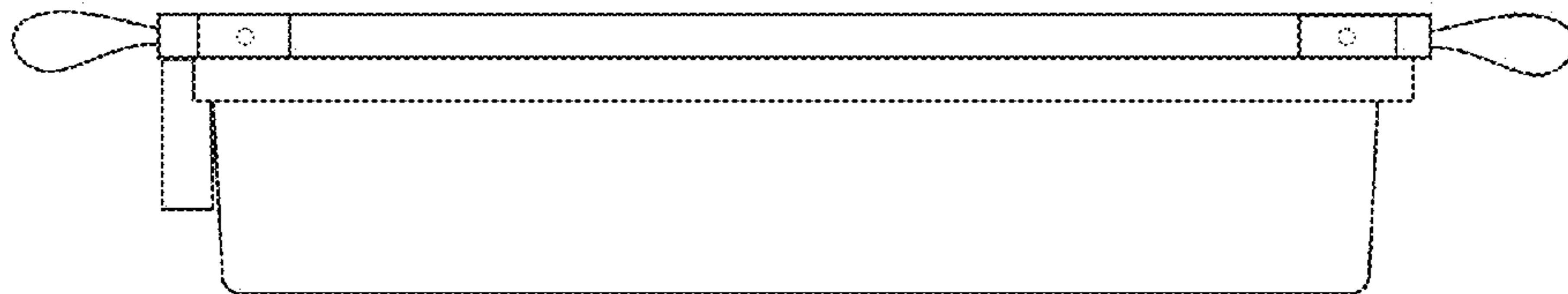


FIG. 8