



US00D750338S

(12) **United States Design Patent**
Ruotsalainen

(10) **Patent No.:** **US D750,338 S**
(45) **Date of Patent:** **** Feb. 23, 2016**

- (54) **VEHICLE RAMP WITH LIFTING MECHANISM**
- (71) Applicant: **Mark Ruotsalainen**, Big Lake, MN (US)
- (72) Inventor: **Mark Ruotsalainen**, Big Lake, MN (US)
- (**) Term: **14 Years**
- (21) Appl. No.: **29/518,358**
- (22) Filed: **Feb. 23, 2015**

- 4,635,902 A * 1/1987 Chou B66F 5/04 254/8 B
- D313,102 S 12/1990 Cano
- 4,993,685 A * 2/1991 Sparling B66F 7/243 254/88
- 5,447,406 A * 9/1995 Voss B66F 7/246 254/8 R
- 5,503,368 A 4/1996 Torres
- 5,716,040 A 2/1998 Torres
- 5,855,359 A 1/1999 Chipperfield
- D410,314 S * 5/1999 Brown D34/32
- 6,045,122 A * 4/2000 Torres B66F 7/0608 254/122
- D485,412 S * 1/2004 Hung D34/31
- D516,267 S * 2/2006 Connaughton D34/31
- D538,502 S * 3/2007 Hernandez D34/31

(Continued)

Related U.S. Application Data

- (63) Continuation of application No. 12/715,890, filed on Mar. 2, 2010, now abandoned.
- (51) **LOC (10) CL.** **12-05**
- (52) **U.S. CL.**
USPC **D34/32**
- (58) **Field of Classification Search**
USPC D34/28, 31, 33, 32; 254/8 B, 93 H, 254/84.11, 2 B, DIG. 3, 88, 124; 414/537
CPC B66F 7/243; B66F 7/246; B66F 7/18; B66F 1/025; B66F 5/04
See application file for complete search history.

Primary Examiner — Cynthia Ramirez

(74) *Attorney, Agent, or Firm* — Robert C. Montgomery; Montgomery Patent Design, LLC

(57) **CLAIM**

The ornamental design for a vehicle ramp with a lifting mechanism, as shown and described.

DESCRIPTION

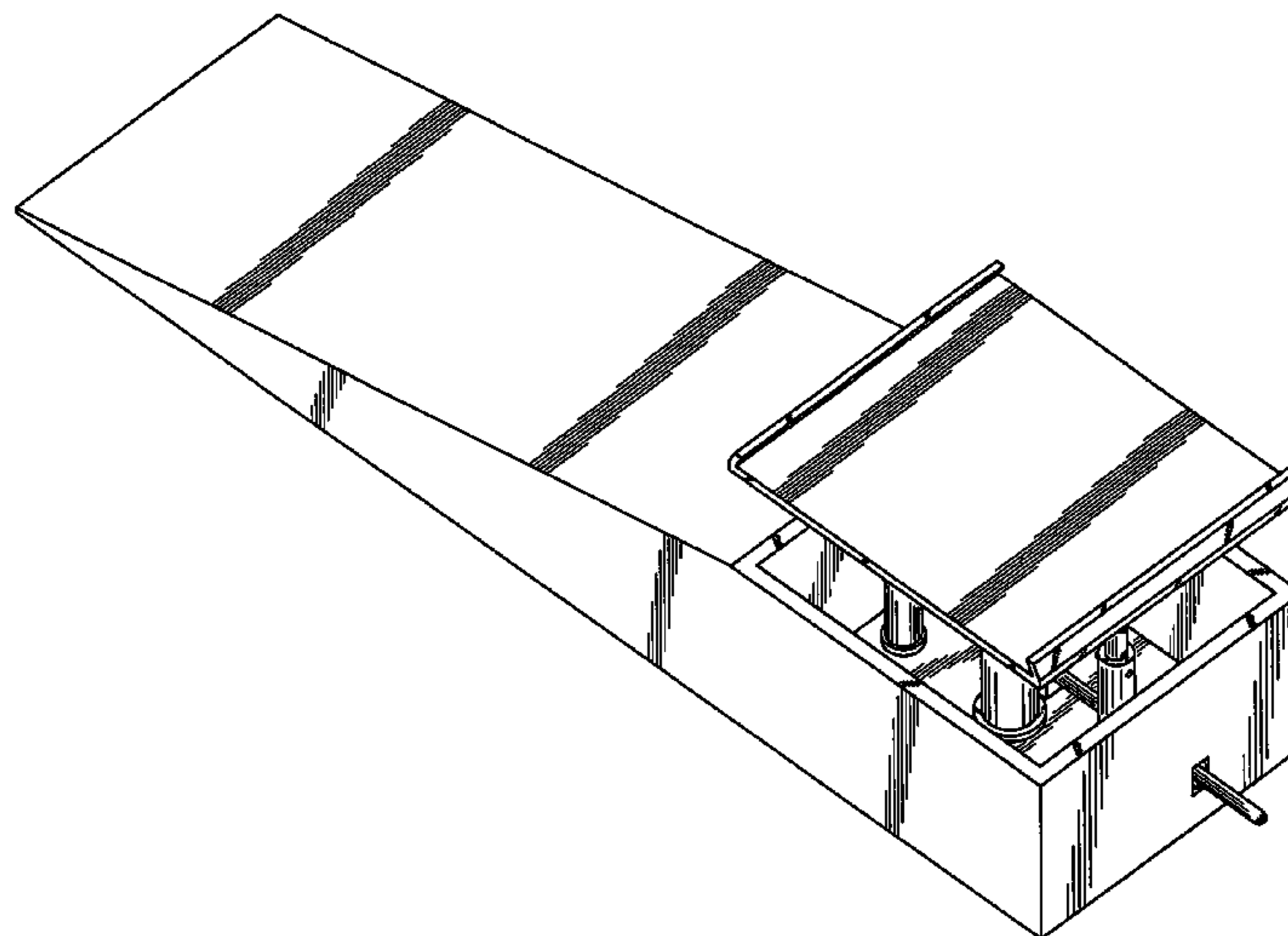
FIG. 1 is a top, rear, left side perspective view of a vehicle ramp with a lifting mechanism in the open position, showing my new design;
 FIG. 2 is a top, rear, right side perspective view thereof;
 FIG. 3 is a top, front, right side perspective view thereof;
 FIG. 4 is a bottom, rear, left side perspective view thereof;
 FIG. 5 is a front elevational view thereof;
 FIG. 6 is a rear elevational view thereof;
 FIG. 7 is a left side elevational view, with the right side elevational being a mirror image thereof;
 FIG. 8 is a top plan view thereof;
 FIG. 9 is a bottom plan view thereof; and,
 FIG. 10 is a top, front, right side perspective view of the vehicle ramp with the lifting mechanism in the closed position.

(56) **References Cited**

U.S. PATENT DOCUMENTS

- 1,447,242 A 3/1923 Fritz
- 1,772,590 A * 8/1930 Adams B66F 7/243 254/88
- 2,631,007 A 3/1953 Copus
- 2,675,210 A 4/1954 Lowber
- 2,708,098 A 5/1955 Walker
- 3,870,277 A 3/1975 West
- D237,162 S 10/1975 Miller
- 3,994,474 A 11/1976 Finkbeiner
- D245,493 S * 8/1977 Kenig D34/31
- D272,287 S * 1/1984 Kameda D34/31
- 4,461,456 A 7/1984 Munna

1 Claim, 9 Drawing Sheets



US D750,338 S

Page 2

(56)

References Cited

U.S. PATENT DOCUMENTS

D543,675 S * 5/2007 Ji D34/32
2003/0160221 A1* 8/2003 Dunbar, Sr. B66F 3/30
254/88
2011/0204152 A1* 8/2011 Brown, Jr. B66F 3/24
238/14

2013/0193392 A1* 8/2013 McGinn B66F 7/243
254/93 R
2015/0246798 A1* 9/2015 Guzman Restori B66F 7/246
14/72.5

* cited by examiner

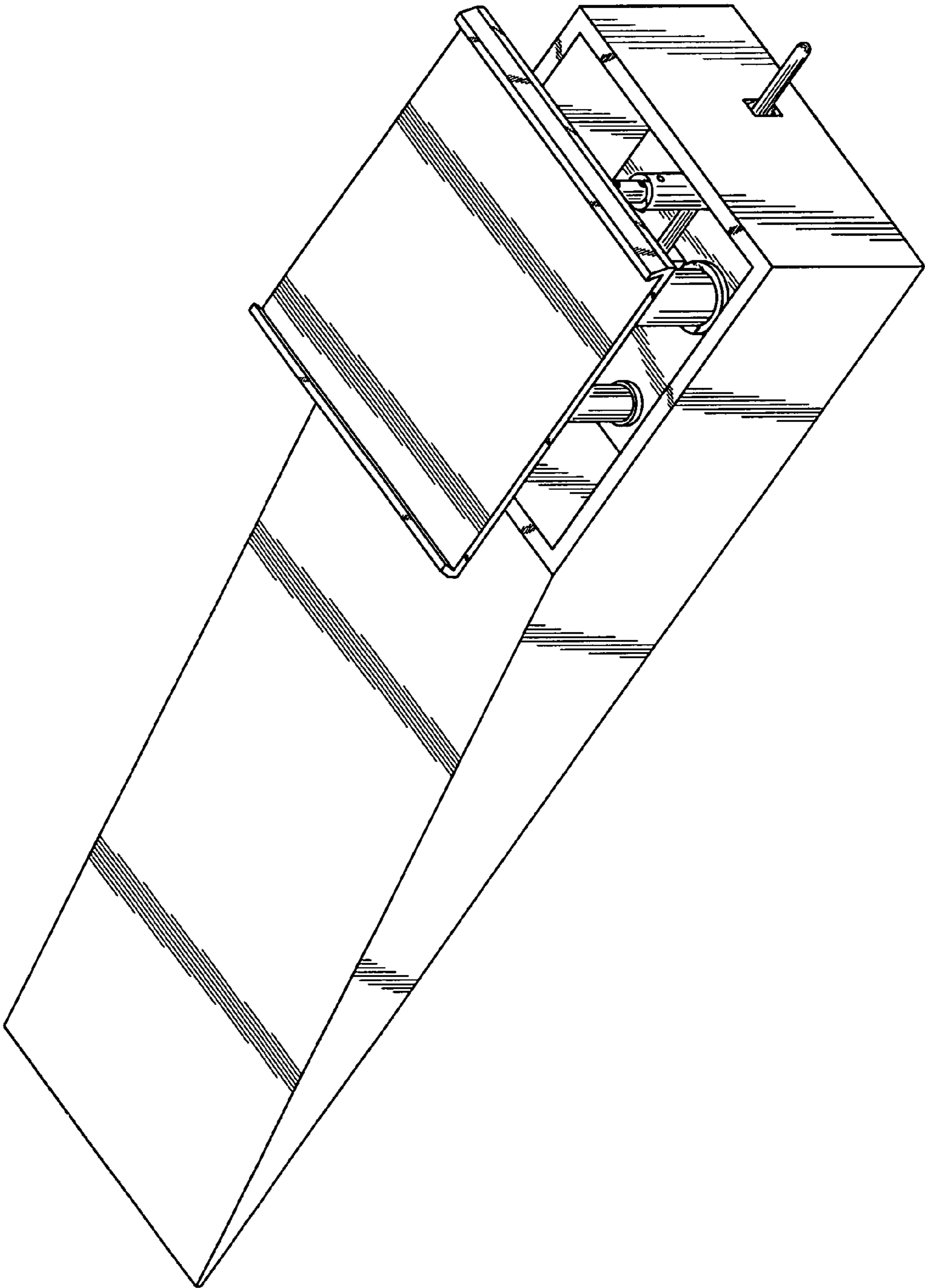


Fig. 1

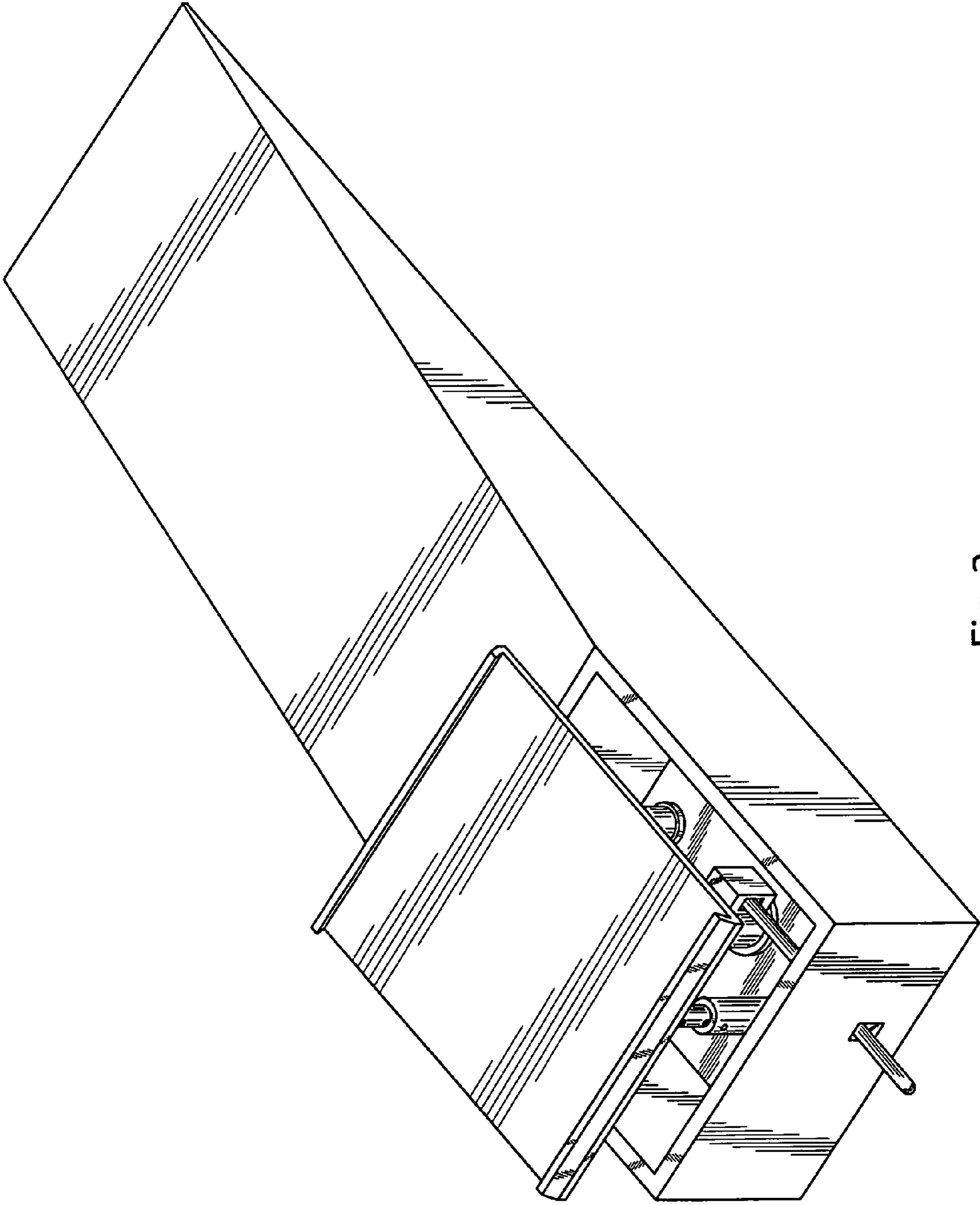


Fig. 2

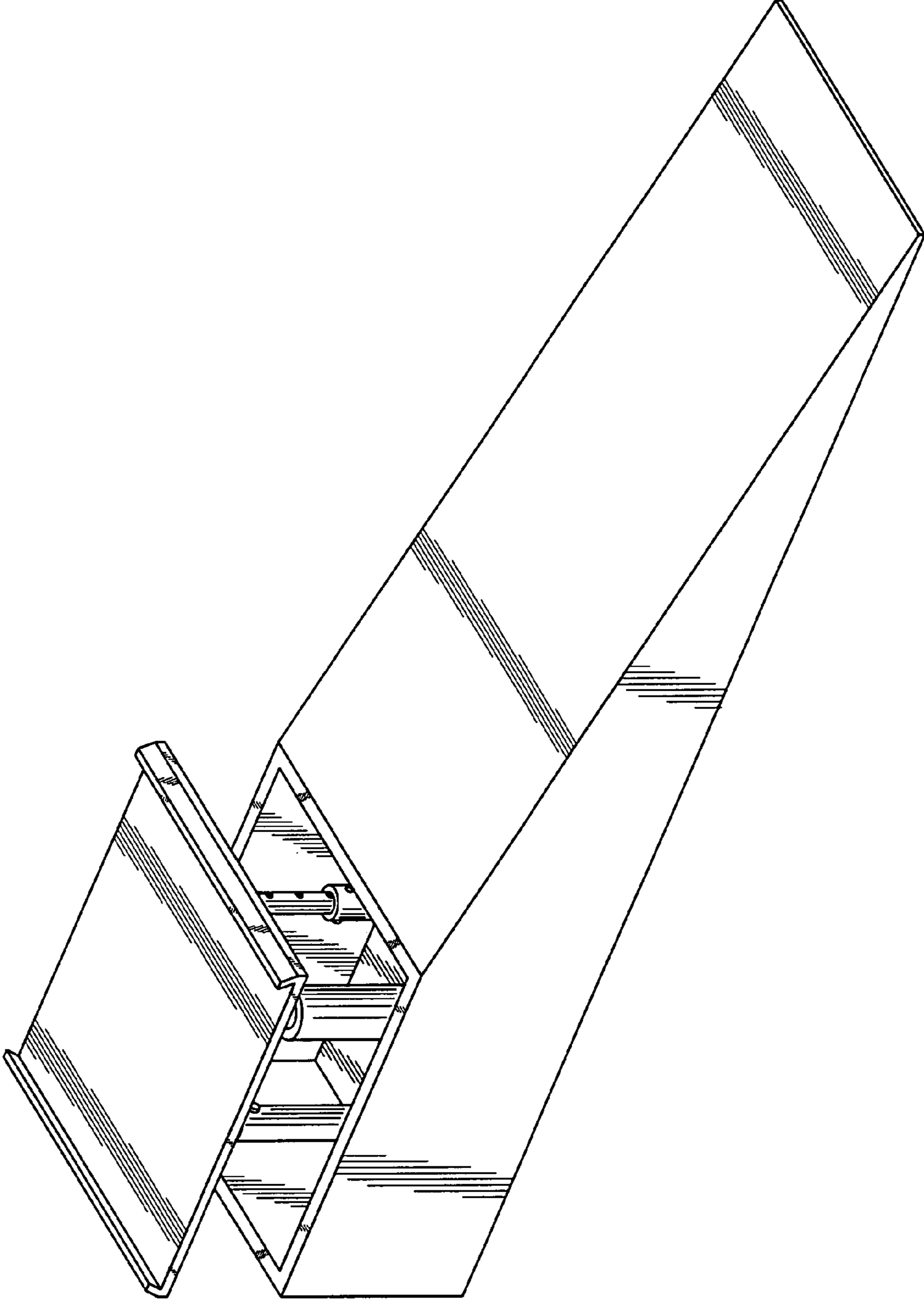


Fig. 3

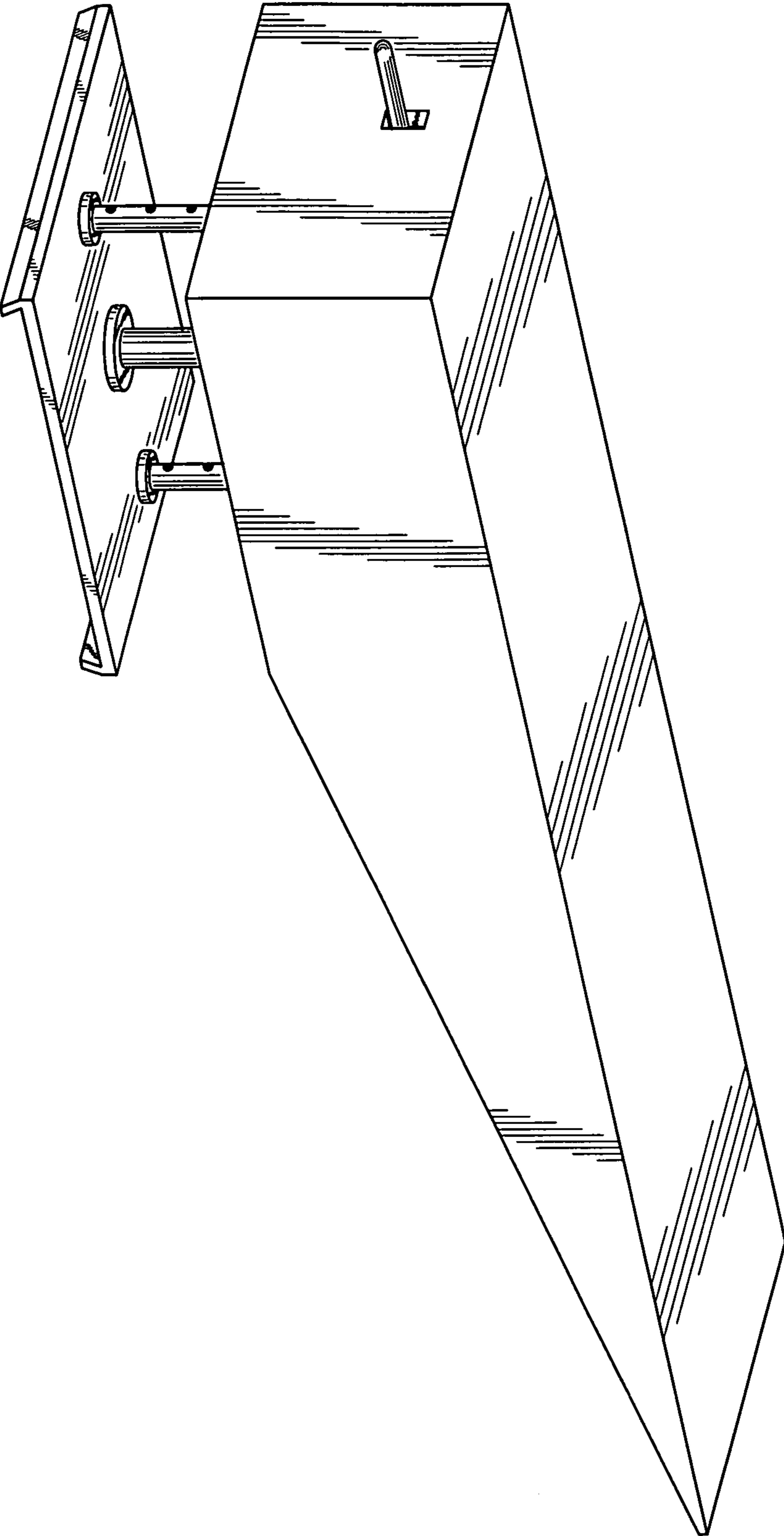


Fig. 4

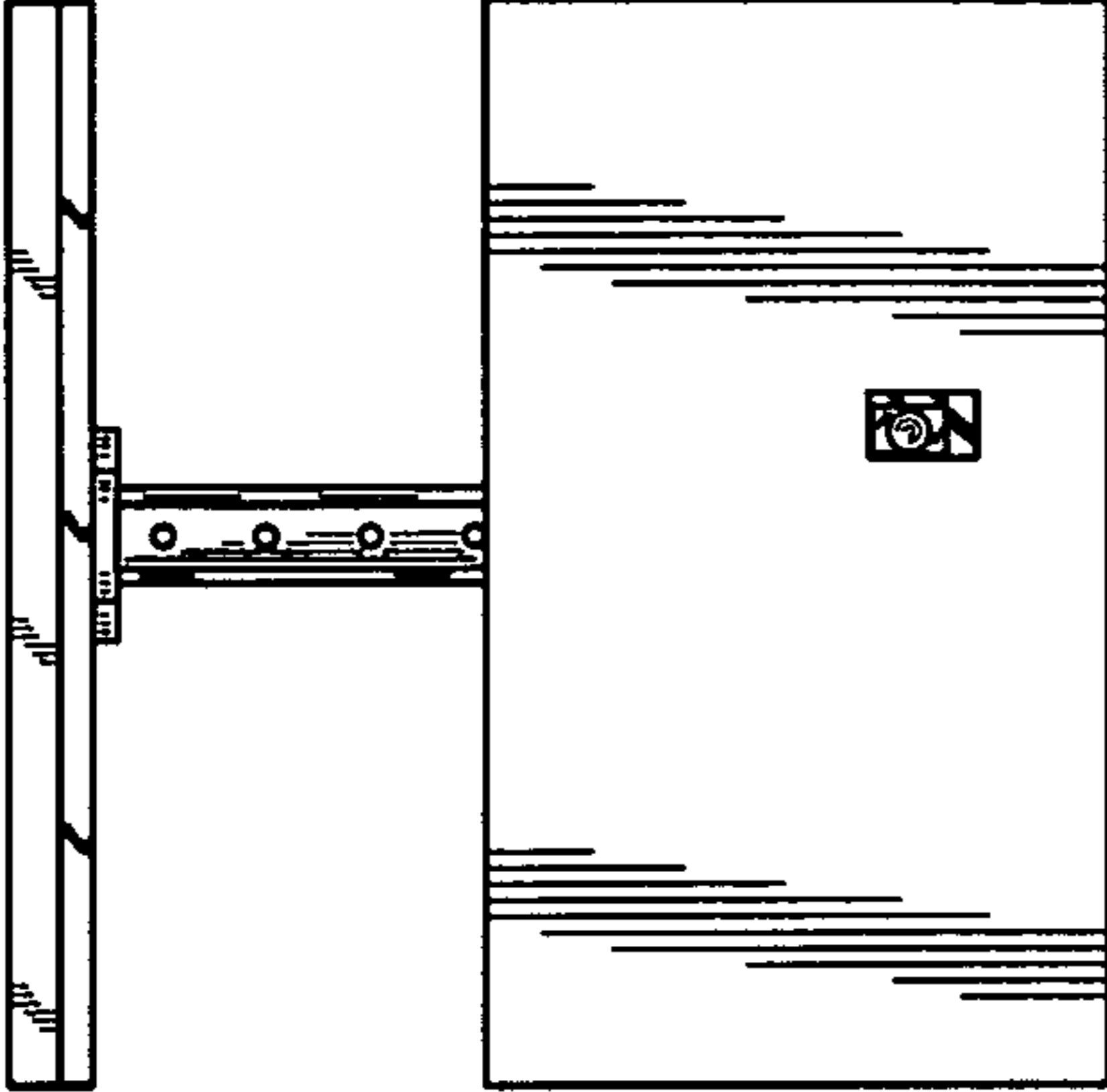


Fig. 5

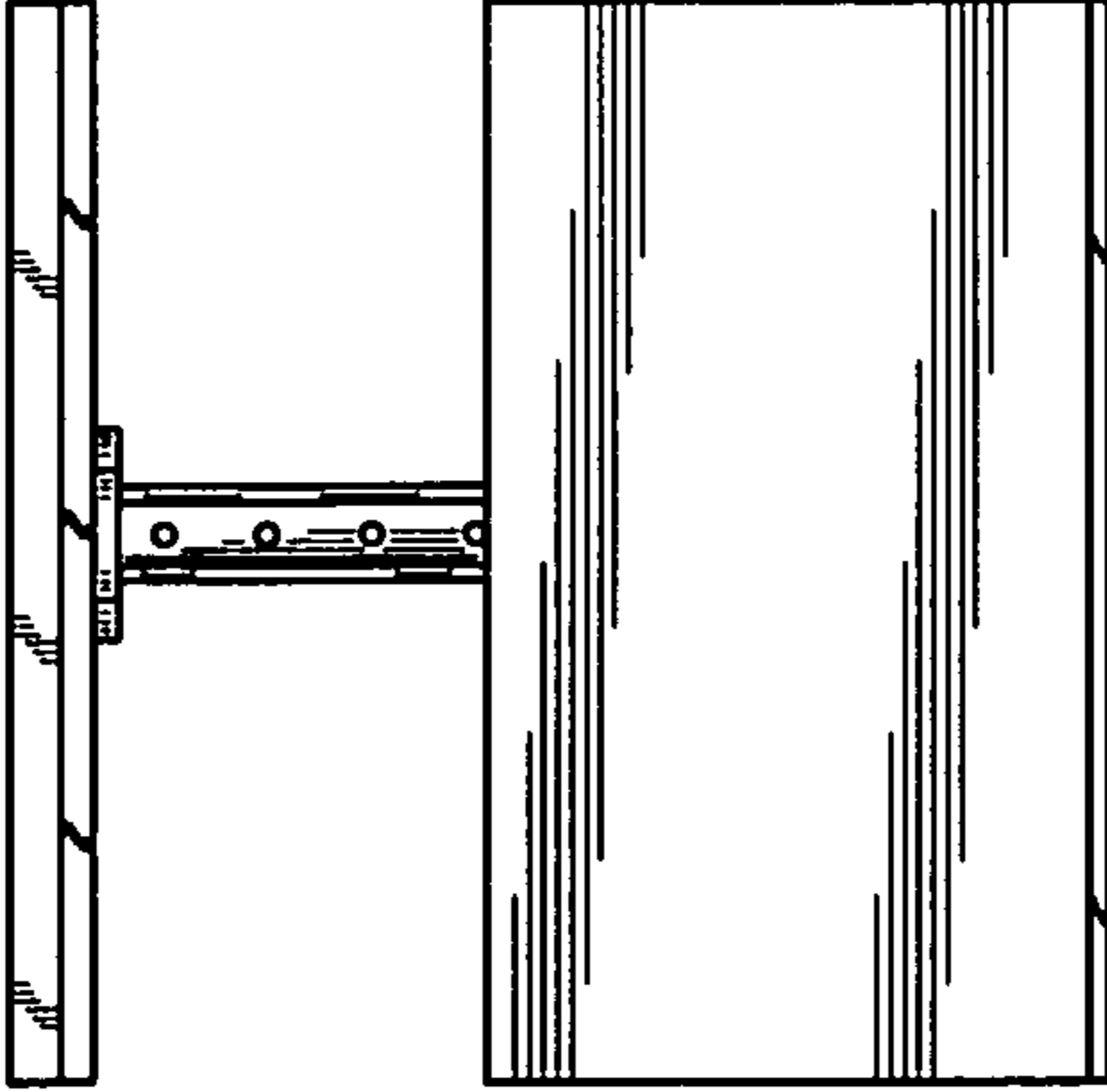


Fig. 6

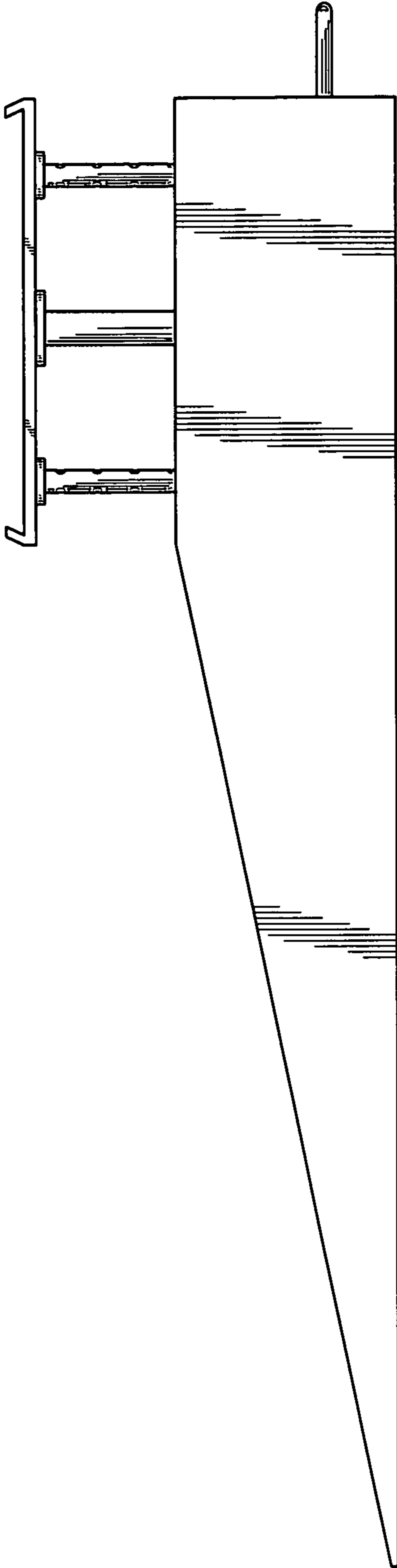


Fig. 7

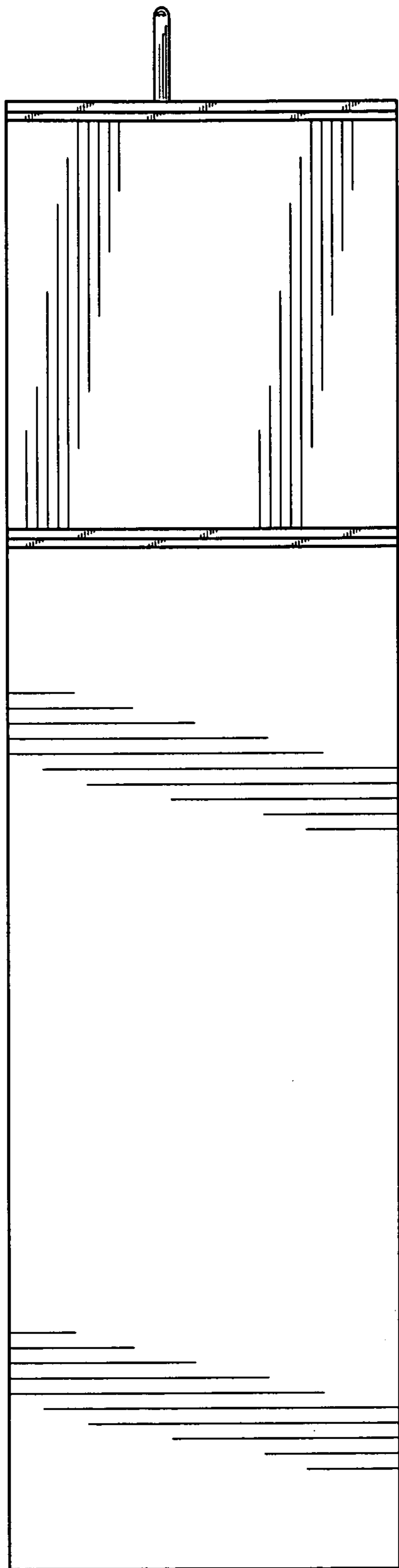


Fig. 8

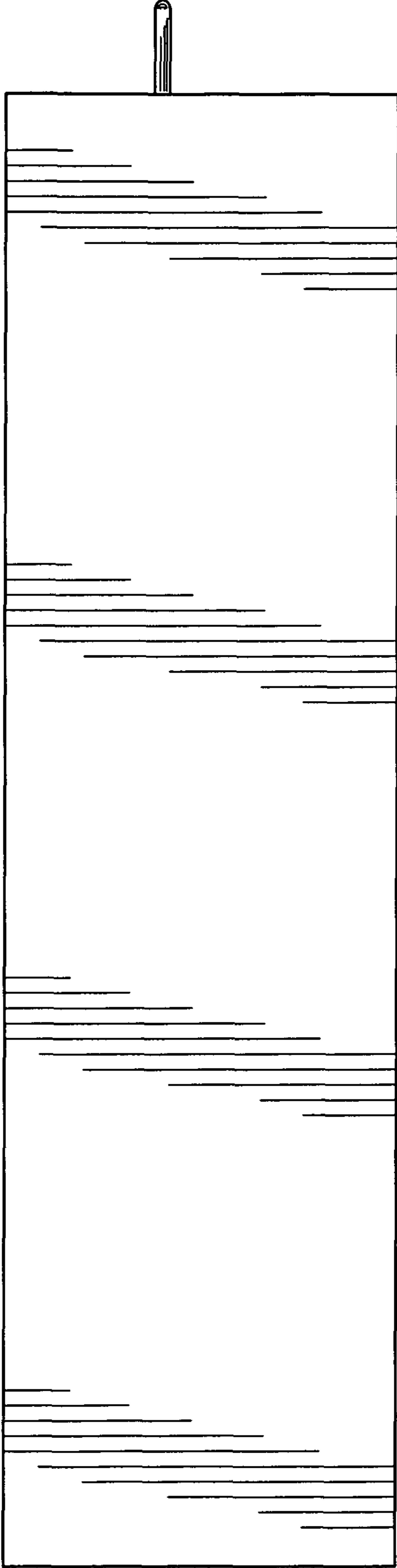


Fig. 9

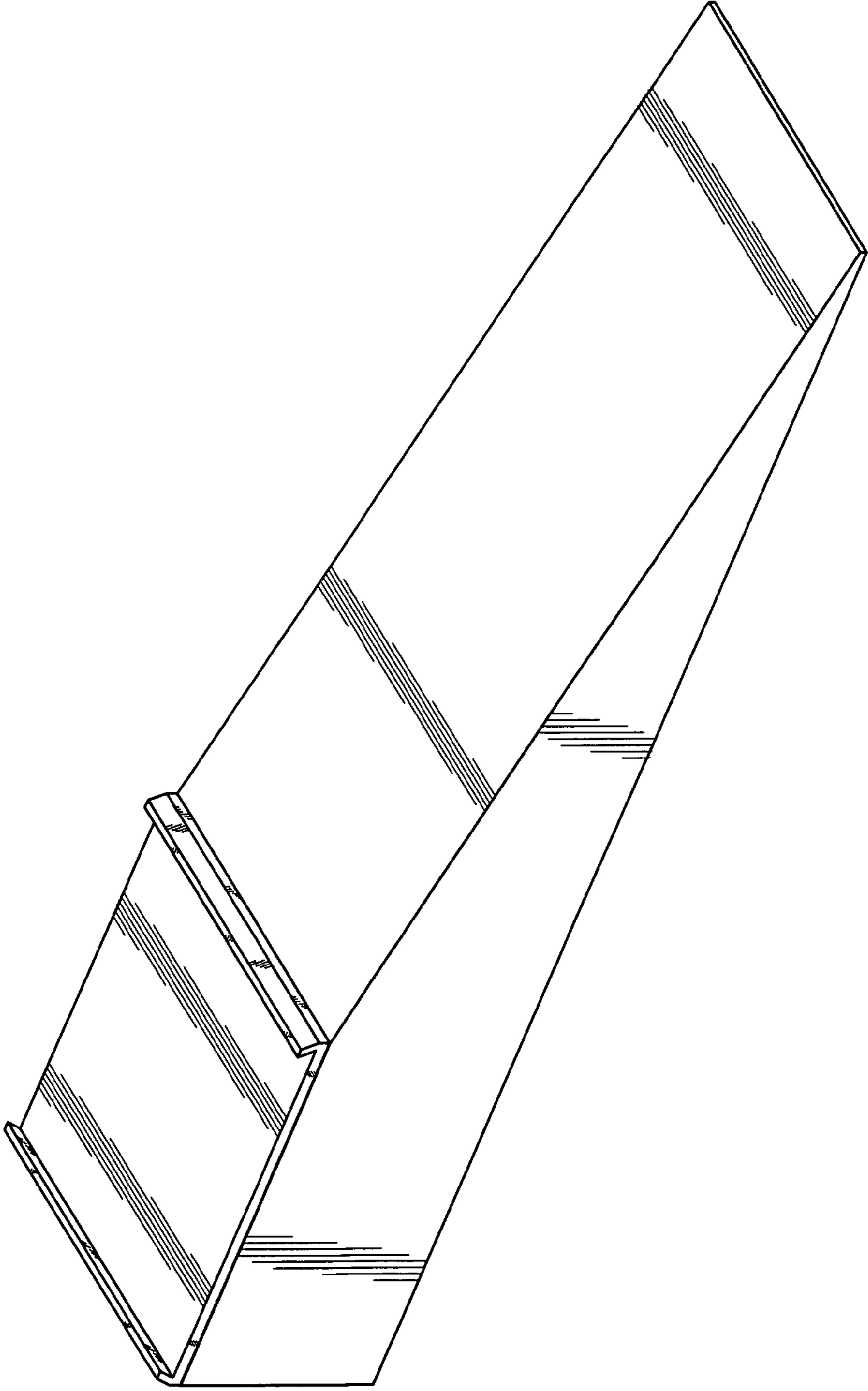


Fig. 10