



US00D750337S

(12) **United States Design Patent**
Duvigneau

(10) **Patent No.:** **US D750,337 S**

(45) **Date of Patent:** **** Feb. 23, 2016**

(54) **DISH STAND**

(71) Applicant: **CURVER Luxembourg Sarl,**
Neidercorn (LU)

(72) Inventor: **Nikolai Duvigneau, Zichron Yaacov (IL)**

(73) Assignee: **CURVER LUXEMBOURG SARL,**
Neidercorn (LU)

(**) Term: **14 Years**

(21) Appl. No.: **29/453,383**

(22) Filed: **Apr. 29, 2013**

(30) **Foreign Application Priority Data**

Oct. 28, 2012 (IL) 53310

(51) **LOC (10) Cl.** **07-05**

(52) **U.S. Cl.**
USPC **D32/55**

(58) **Field of Classification Search**

USPC D32/55, 276, 3; D6/510, 525; D30/133;
211/41.5, 41.4, 41.3, 41.8; 361/679.4;
312/311, 333, 334.4; D7/354, 629

CPC . A47L 15/505; A47L 15/503; A47L 15/0013;
A47L 19/02; A47L 19/04; A47J 47/20

See application file for complete search history.

(56) **References Cited**

U.S. PATENT DOCUMENTS

D353,921 S * 12/1994 Lippisch et al. D32/55
D534,701 S * 1/2007 Schmidt D32/55
D586,061 S * 2/2009 Curtin D32/55
D599,069 S * 8/2009 Curtin D32/55
D624,721 S * 9/2010 Curtin D32/55
D651,779 S * 1/2012 Balkum D32/55
D667,190 S * 9/2012 Miller D32/55
D677,443 S * 3/2013 Urdaneta D32/55

D688,019 S * 8/2013 Lee et al. D32/55
D690,069 S * 9/2013 Sofy et al. D32/55
D692,200 S * 10/2013 Lee et al. D32/55
D706,008 S * 5/2014 Lerner D32/55
D714,508 S * 9/2014 Joy D32/55

* cited by examiner

Primary Examiner — Austin Murphy

(74) *Attorney, Agent, or Firm* — Vorys, Sater, Seymour & Pease LLP

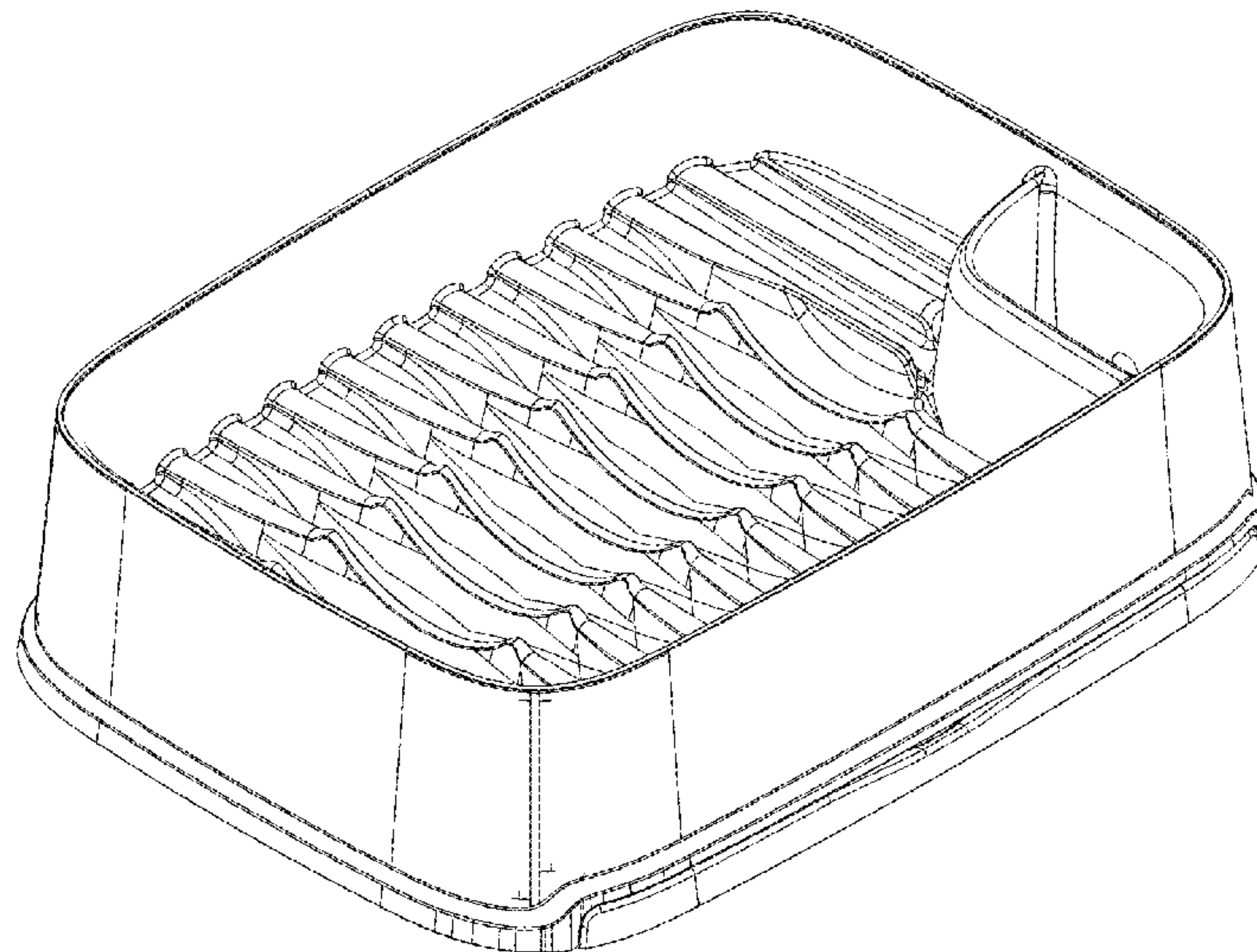
(57) **CLAIM**

The ornamental design for a dish stand, as shown and described.

DESCRIPTION

FIG. 1 is a top perspective view of a dish stand, in a closed configuration;
FIG. 2 is a top perspective view thereof, in an open configuration;
FIG. 3 is a front elevational view thereof, in a closed configuration;
FIG. 4 is a rear elevational view thereof, in a closed configuration;
FIG. 5 is a left side elevational view thereof, in a closed configuration;
FIG. 6 is a left side elevational view thereof, in an open configuration;
FIG. 7 is a right side elevational view thereof, in a closed configuration;
FIG. 8 is a top planar view thereof; in a closed configuration;
FIG. 9 is a top planar view thereof; in an open configuration;
FIG. 10 is a bottom planar view thereof; in a closed configuration; and,
FIG. 11 is a bottom planar view thereof; in an open configuration.

1 Claim, 11 Drawing Sheets



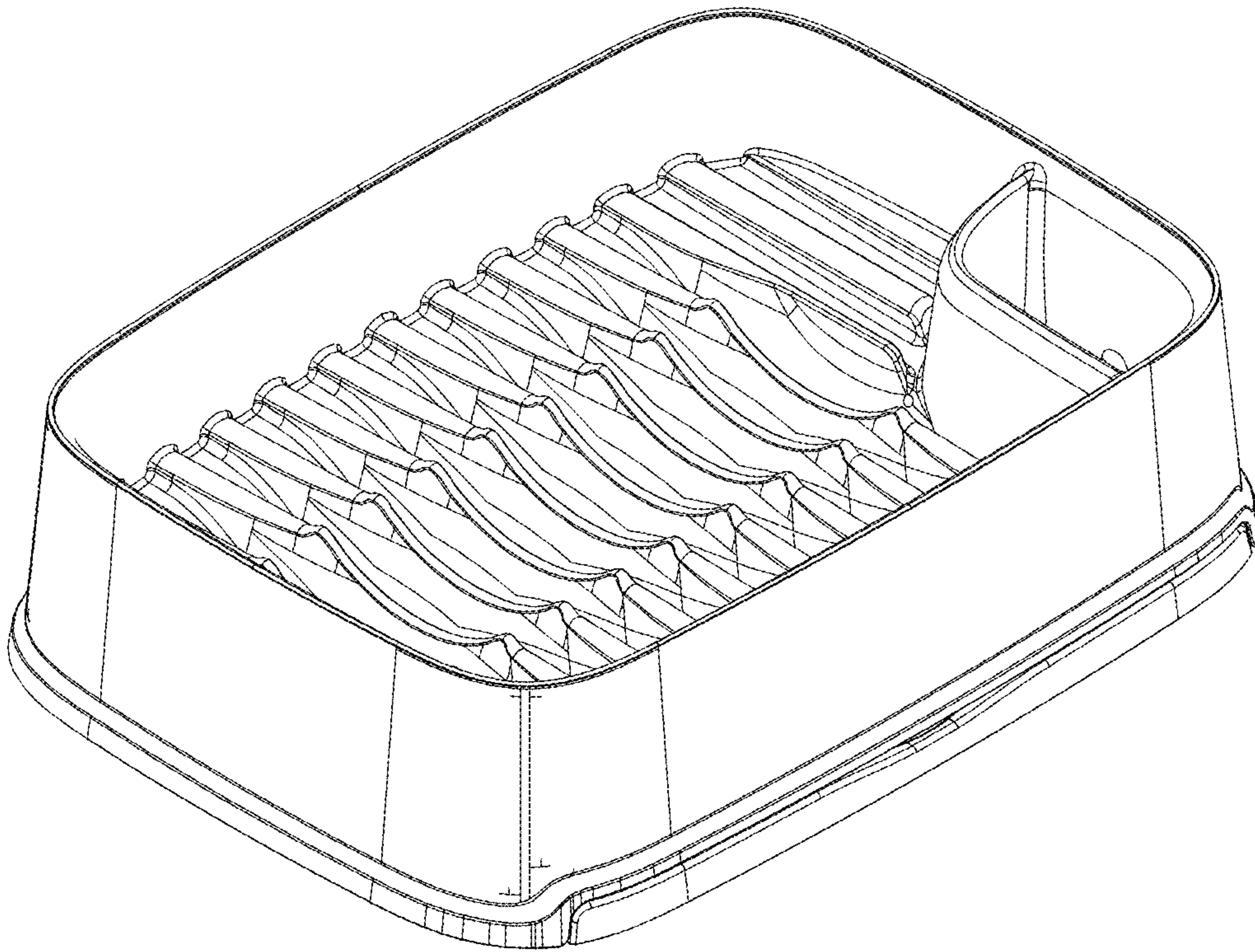


FIG. 1

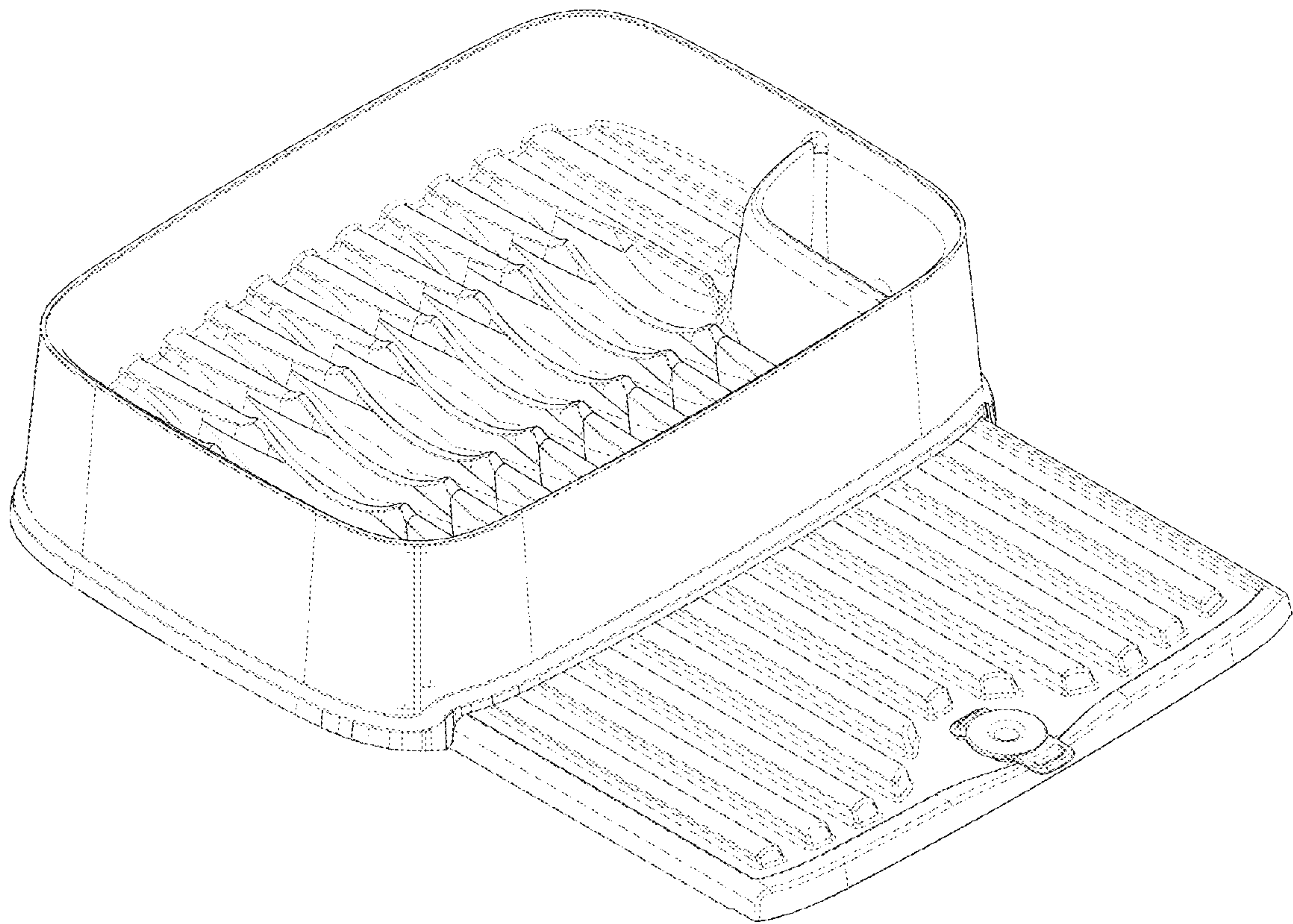


FIG. 2

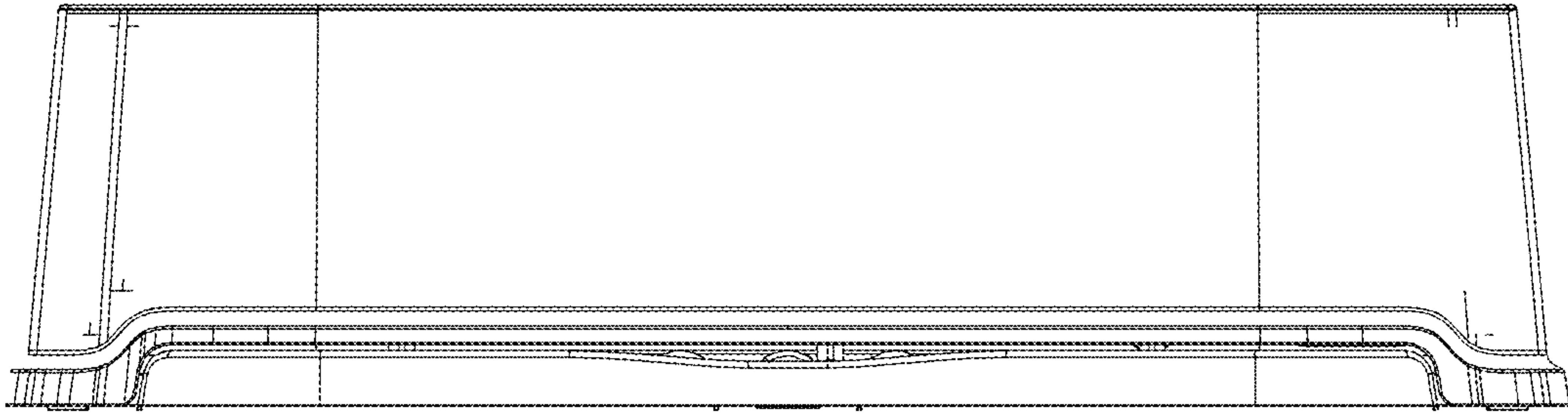


FIG. 3

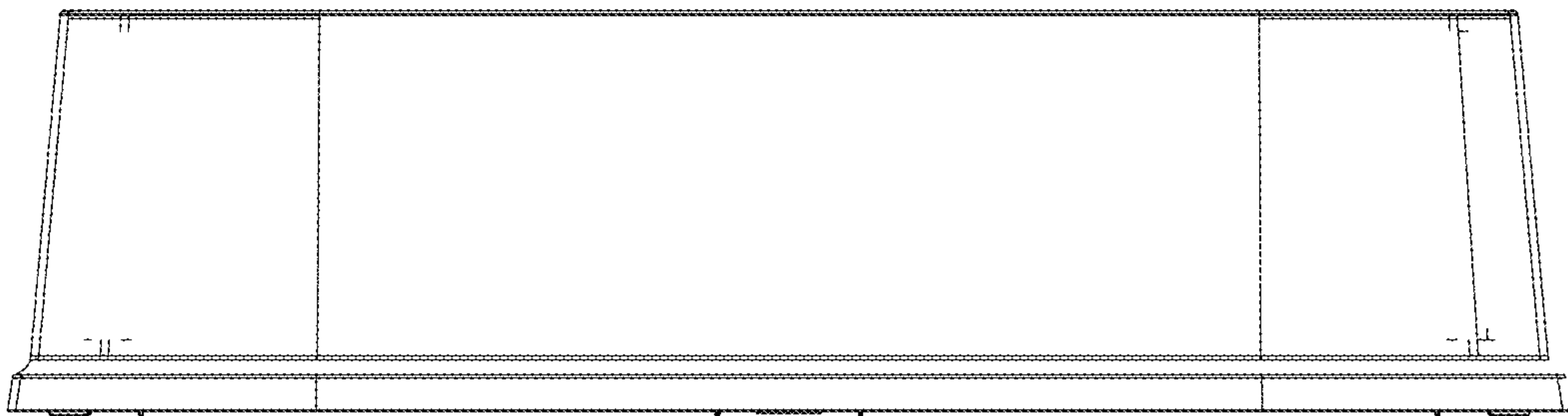


FIG. 4

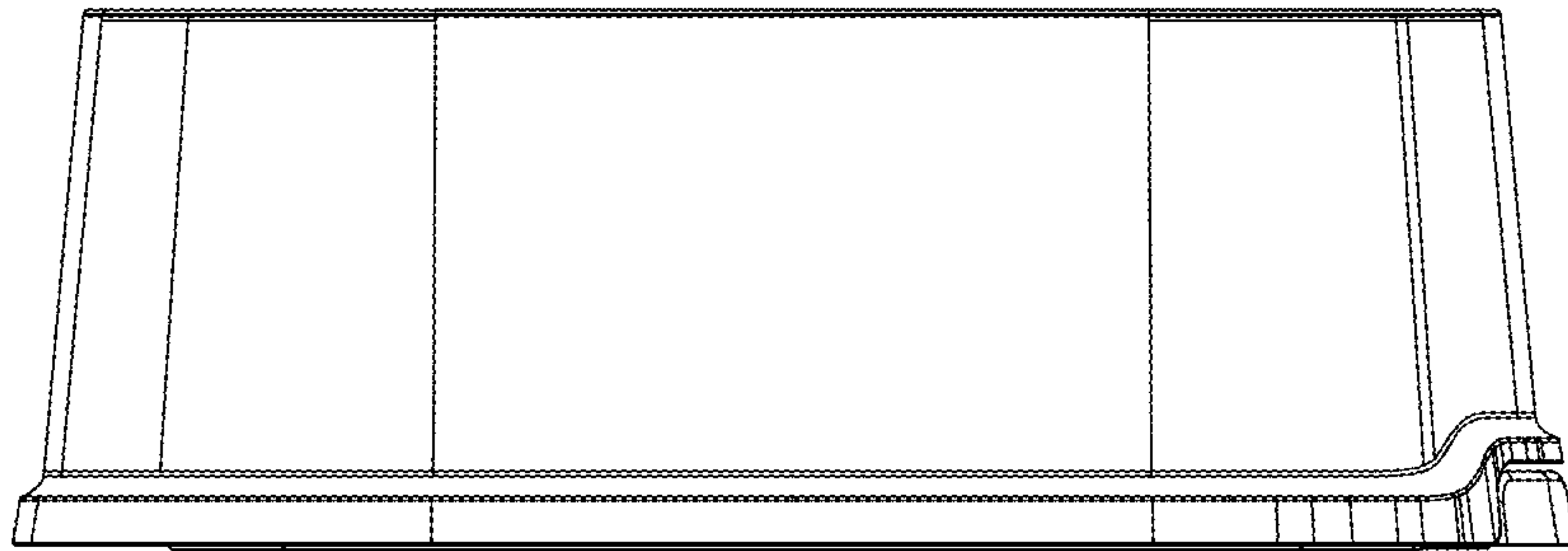


FIG. 5

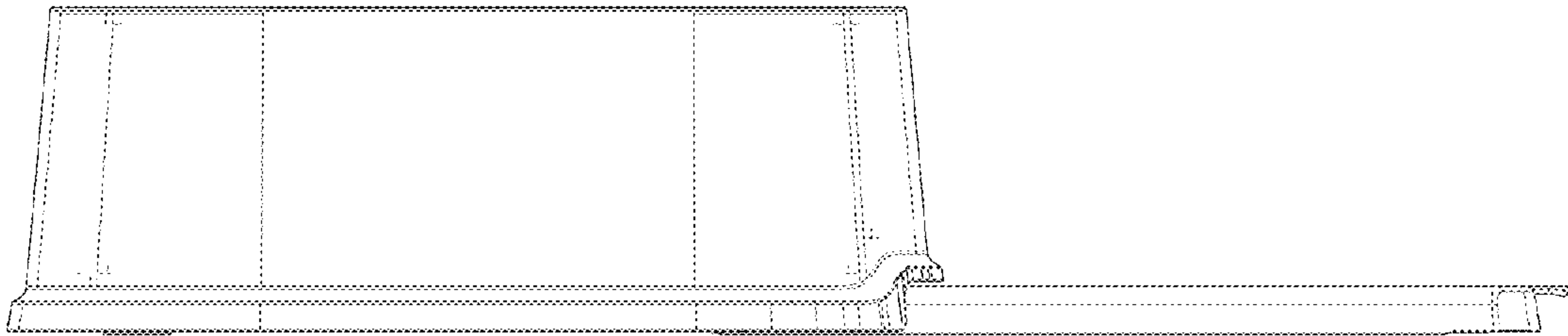


FIG. 6



FIG. 7

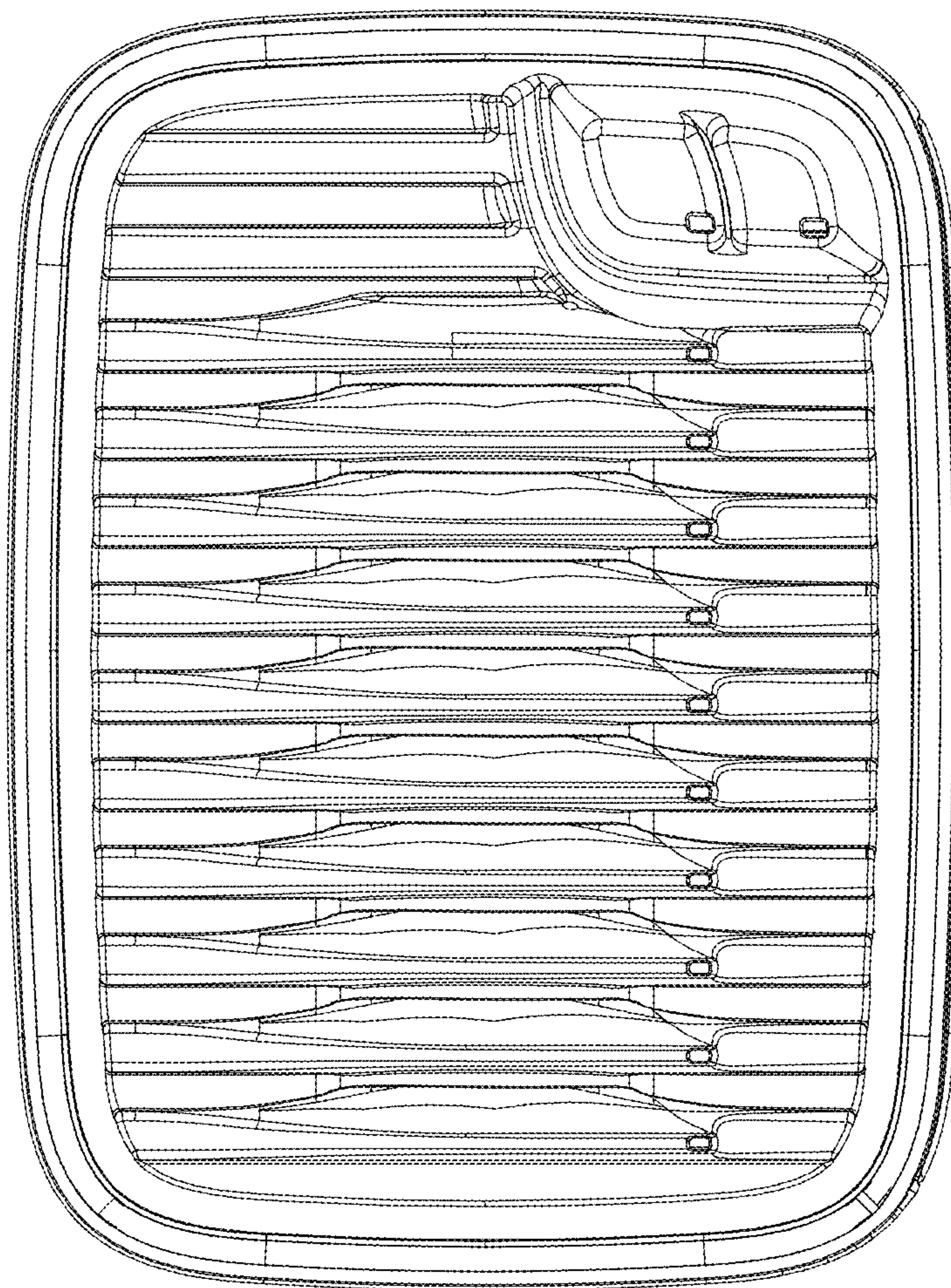


FIG. 8

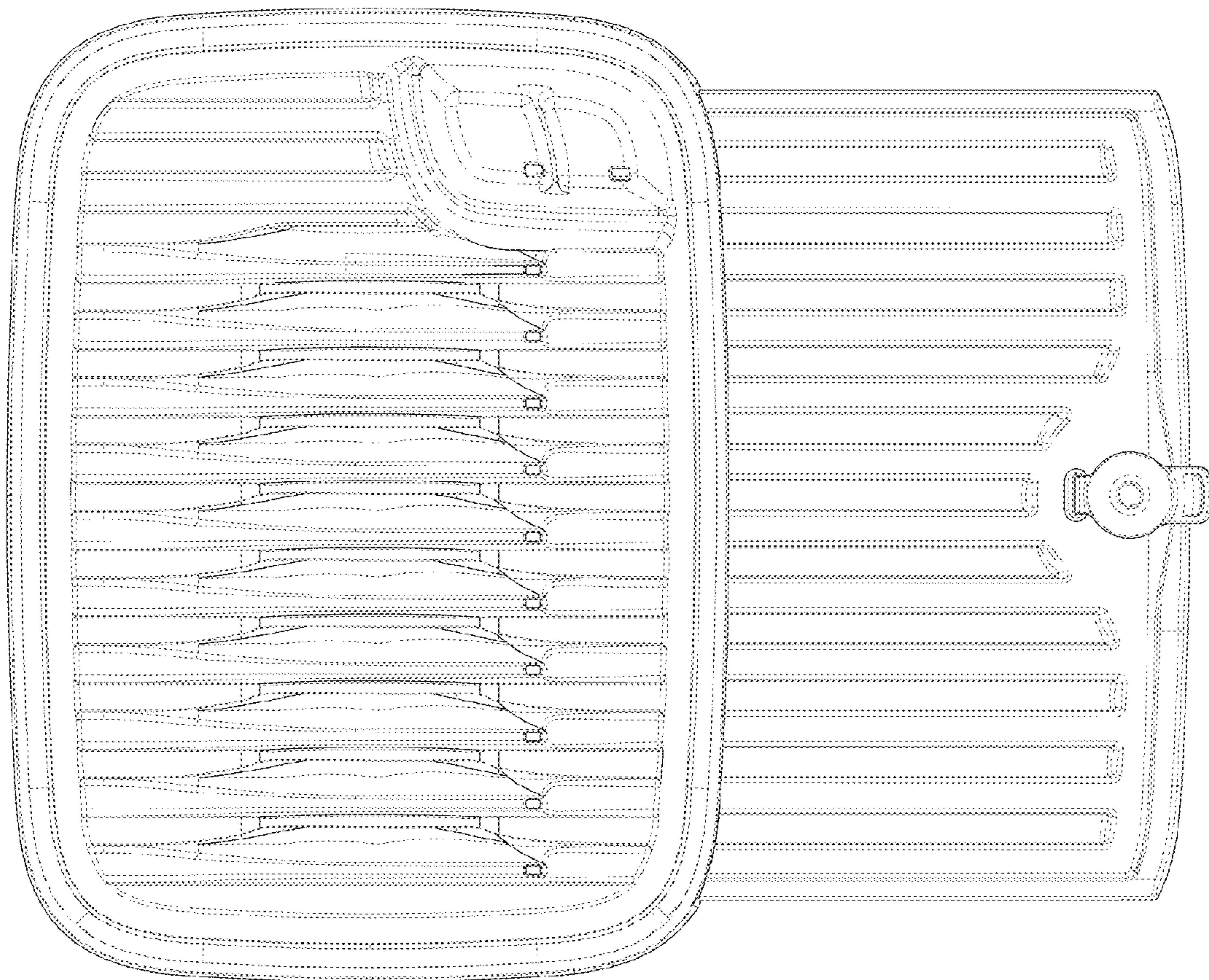


FIG. 9

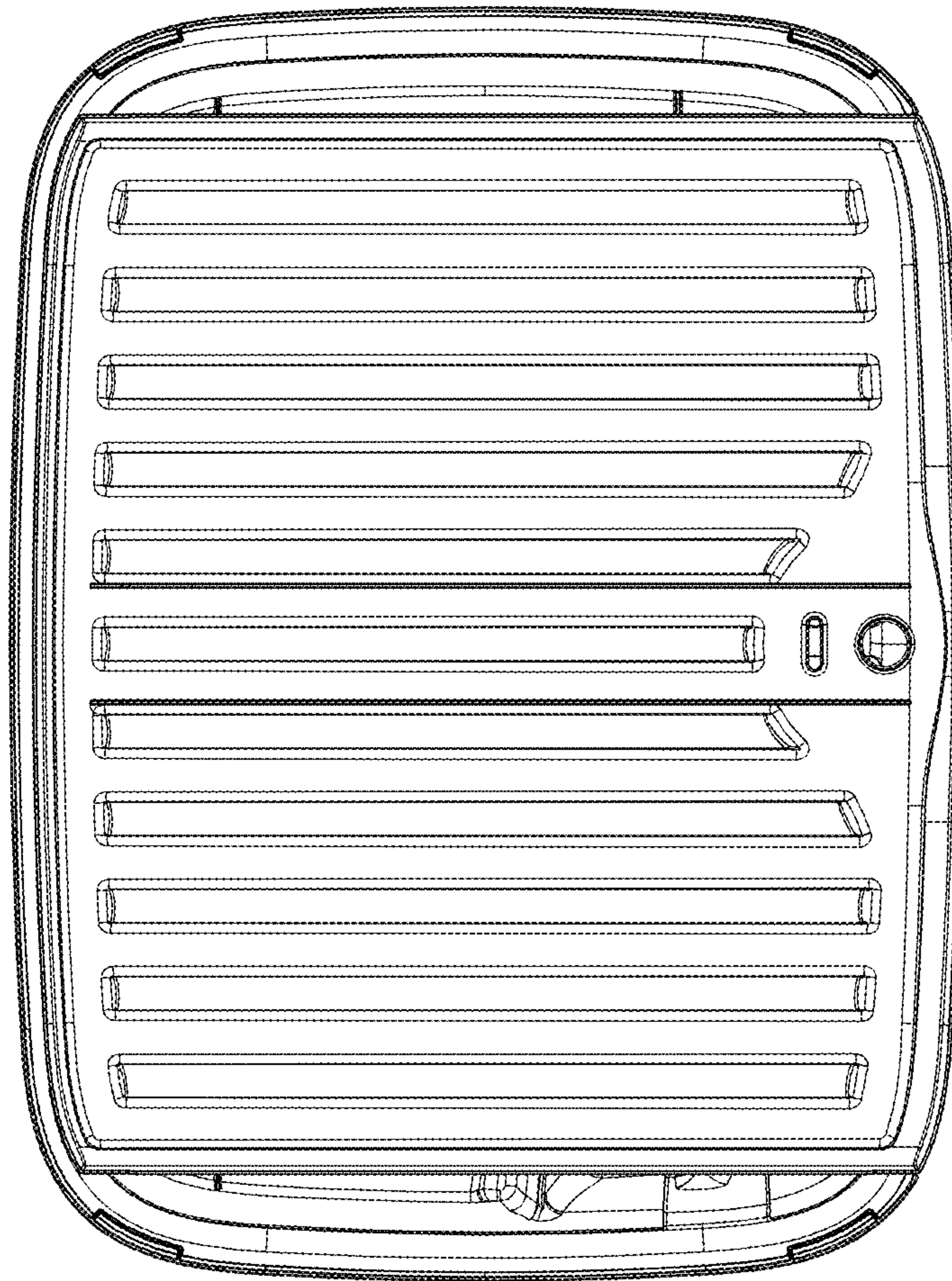


FIG. 10

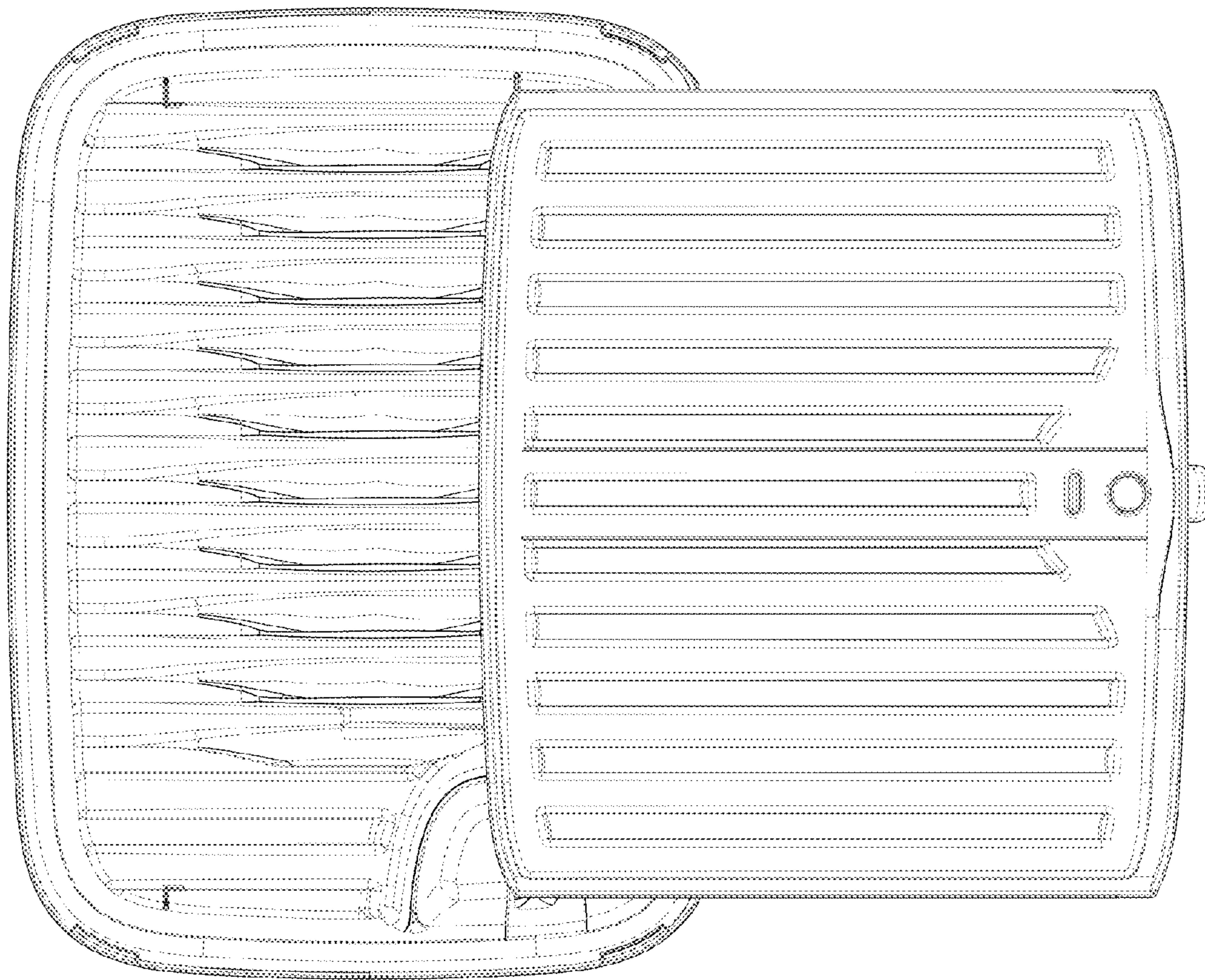


FIG. 11