



US00D750336S

(12) **United States Design Patent**
Taylor, III

(10) **Patent No.:** **US D750,336 S**
(45) **Date of Patent:** **** Feb. 23, 2016**

- (54) **BARBECUE SCRAPER**
- (71) Applicant: **Charles Edward Taylor, III**,
Harrisonburg, VA (US)
- (72) Inventor: **Charles Edward Taylor, III**,
Harrisonburg, VA (US)
- (**) Term: **14 Years**
- (21) Appl. No.: **29/500,074**
- (22) Filed: **Aug. 21, 2014**
- (51) **LOC (10) Cl.** **08-05**
- (52) **U.S. Cl.**
USPC **D32/49**
- (58) **Field of Classification Search**
USPC D32/46, 49; D7/669, 688; 15/111,
15/236.01, 248.1; 420/477, 491, 521-22
CPC A47J 45/00; A47J 43/288; B60S 3/045
See application file for complete search history.

- 6,351,887 B1 3/2002 Hurst
- 6,871,377 B2 3/2005 Veltrop
- 6,966,094 B1 11/2005 Rigakos
- 7,013,524 B1 3/2006 McIlree, Sr.
- D521,200 S * 5/2006 Veltrop D32/49
- 7,039,983 B1 * 5/2006 Outlaw A47J 37/0786
15/111
- 7,047,590 B2 5/2006 Neal
- D523,198 S * 6/2006 Veltrop D32/49
- D523,601 S * 6/2006 Veltrop D32/49
- 7,275,278 B1 * 10/2007 Martin A47L 13/34
15/236.01
- D601,345 S 10/2009 Wales
- D615,262 S * 5/2010 Bunnag D32/48
- D664,318 S * 7/2012 Thompson D32/46
- D664,319 S * 7/2012 Thompson D32/46
- D677,847 S * 3/2013 Thompson D32/46
- D680,700 S * 4/2013 Ung D32/46
- 8,479,346 B1 7/2013 Raghuprasad
- 8,741,068 B2 6/2014 Thompson
- 8,806,698 B2 * 8/2014 Enders A47L 37/0786
15/111
- 2005/0150070 A1 7/2005 Persichina
- 2006/0048328 A1 3/2006 McIlree, Sr.
- 2011/0258801 A1 10/2011 Thompson

(56) **References Cited**
U.S. PATENT DOCUMENTS

- D247,278 S 2/1978 Dunn, Jr.
- 4,091,579 A 5/1978 Giangiulio
- D264,543 S * 5/1982 Ashley D32/49
- D304,892 S * 12/1989 Bevilacqua D32/46
- 4,958,403 A 9/1990 Martin
- 4,979,255 A 12/1990 Buchnag
- D324,747 S 3/1992 Rood
- 5,255,406 A * 10/1993 Rood A47J 37/0786
15/236.06
- 5,373,600 A * 12/1994 Stojanovski A47L 17/00
15/111
- D358,491 S 5/1995 Hoagland
- D362,936 S 10/1995 Shabel
- D365,897 S * 1/1996 Pereira D32/46
- 5,479,673 A 1/1996 Carton
- 6,049,935 A * 4/2000 Zemel A47L 17/06
15/111
- 6,216,306 B1 4/2001 Esterson
- 6,263,578 B1 7/2001 Frantz
- D447,385 S * 9/2001 Saunders D7/395
- D448,610 S * 10/2001 Saunders D7/395

* cited by examiner

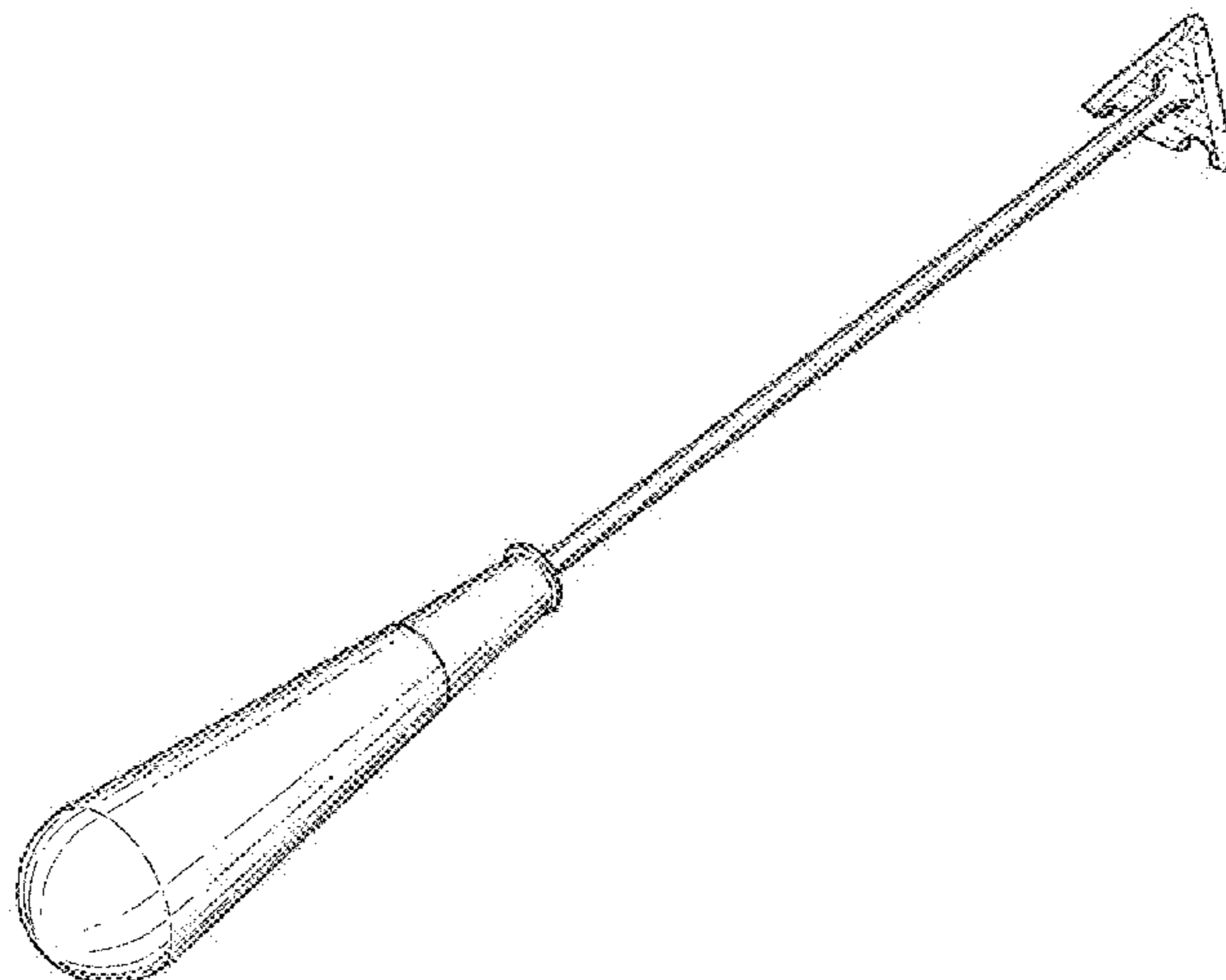
Primary Examiner — Rosemary K Tarcza
Assistant Examiner — James Thorn, Sr.
(74) *Attorney, Agent, or Firm* — Daniel L. Fitch, Esq.

(57) **CLAIM**
The ornamental design for a barbecue scraper, as shown and described.

DESCRIPTION

FIG. 1 is a rear perspective view showing the new design;
FIG. 2 is a front view thereof;
FIG. 3 is a rear view thereof;
FIG. 4 is a left side view thereof;
FIG. 5 is a right side view thereof;
FIG. 6 is a bottom view thereof;
FIG. 7 is a top view thereof; and,
FIG. 8 is a front perspective view thereof.

1 Claim, 5 Drawing Sheets



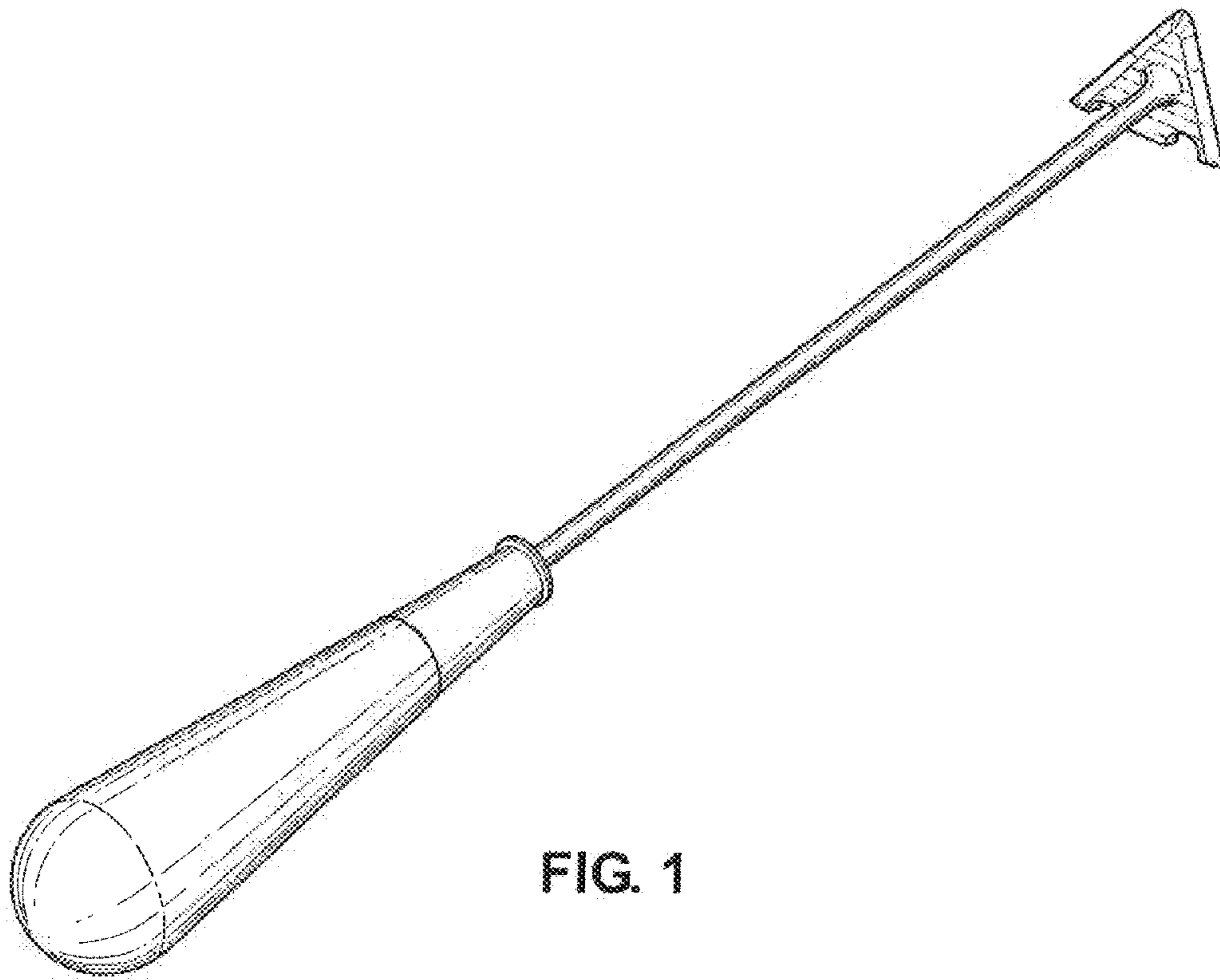


FIG. 1

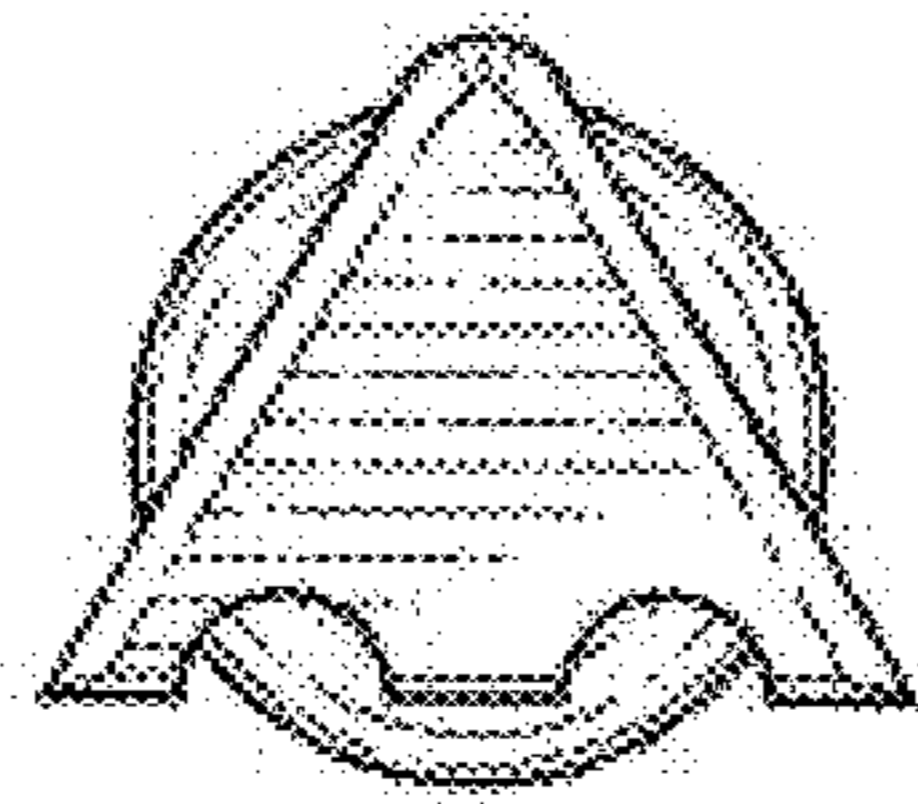


FIG. 2

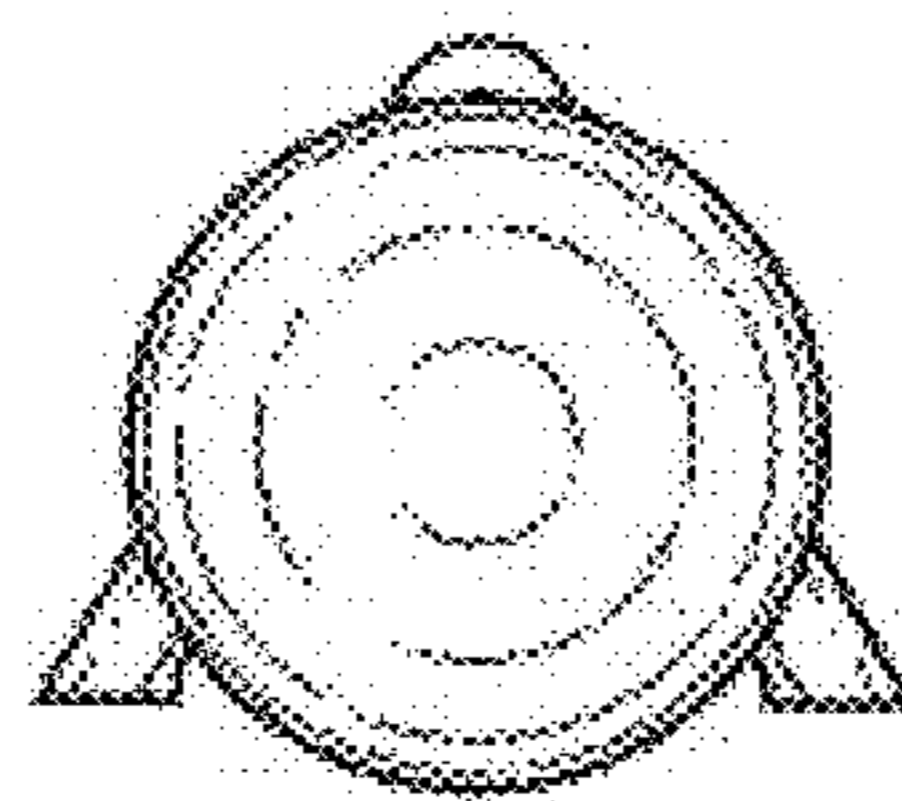


FIG. 3

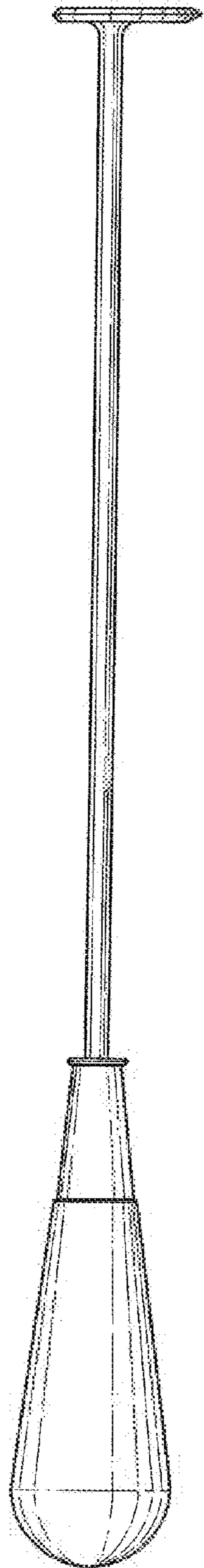


FIG. 4

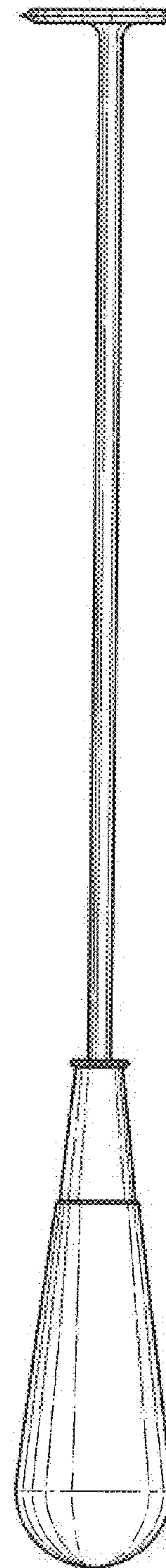


FIG. 5

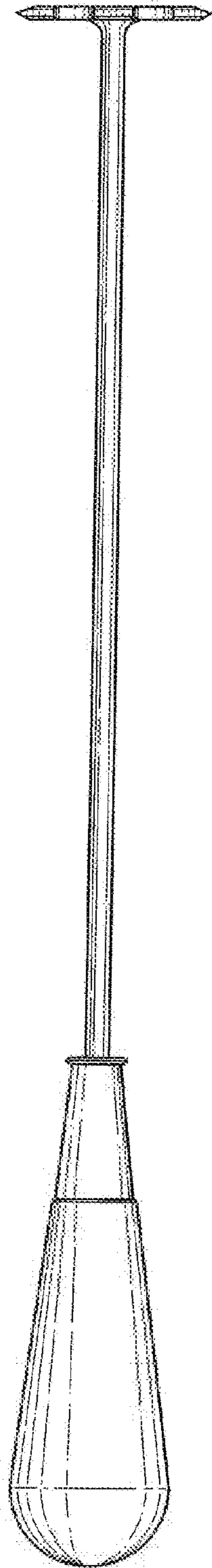


FIG. 6

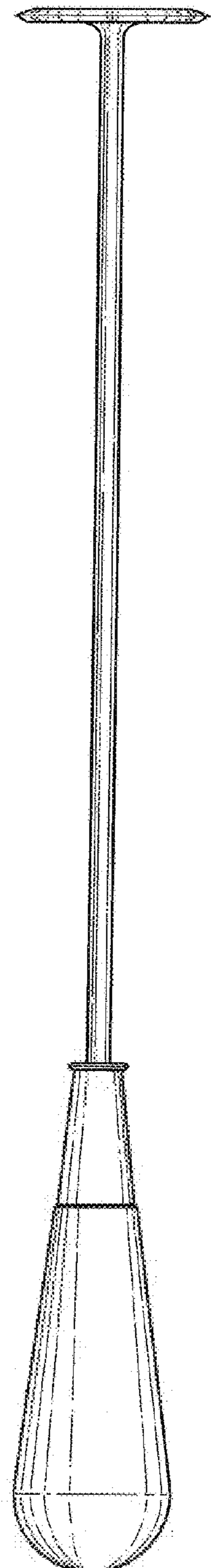


FIG. 7

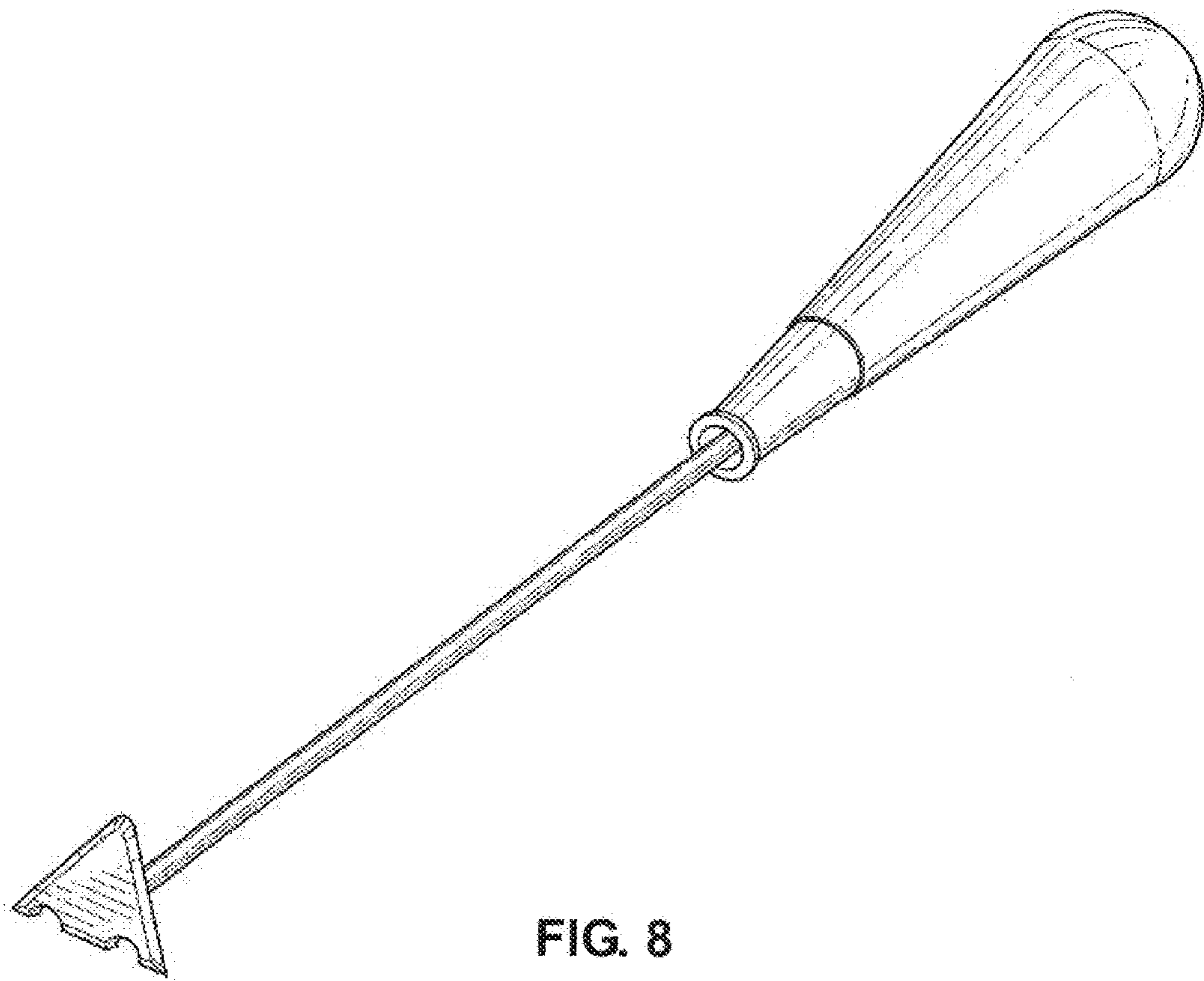


FIG. 8