



US00D750335S

(12) **United States Design Patent**
Fletcher

(10) **Patent No.:** **US D750,335 S**
(45) **Date of Patent:** **** Feb. 23, 2016**

(54) **GRILL SCRAPER WITH ATTACHABLE
CLEANING BRICK**

(76) Inventor: **Jason R. Fletcher**, Prince George (CA)

(**) Term: **14 Years**

(21) Appl. No.: **29/432,415**

(22) Filed: **Sep. 14, 2012**

(51) **LOC (10) Cl.** **08-05**

(52) **U.S. Cl.**
USPC **D32/46**

(58) **Field of Classification Search**
USPC D32/50, 41, 42, 46, 49; D4/118, 119,
D4/138; D5/139; D15/140; D28/91.2;
15/104.8, 111, 41.1, 229.11, 236.01;
30/171

See application file for complete search history.

(56) **References Cited**

U.S. PATENT DOCUMENTS

805,904	A	*	11/1905	Despain	15/104.8
1,044,473	A	*	11/1912	Banke	30/171
2,430,991	A		11/1947	O'Brien		
4,023,312	A		5/1977	Stickney		
4,071,983	A		2/1978	Thielen		
D305,468	S	*	1/1990	Yonkers	D32/46
4,908,900	A	*	3/1990	McLaughlin et al.	15/111
D307,963	S	*	5/1990	Newman et al.	D32/41
D330,094	S	*	10/1992	Chmura, Jr.	D28/91.2
D335,771	S	*	5/1993	Mallory et al.	D4/118
5,471,700	A	*	12/1995	Pereira	15/160
D365,897	S	*	1/1996	Pereira	D32/46
D377,029	S	*	12/1996	McLeod et al.	D15/139
D388,571	S	*	12/1997	Campbell	D32/42
6,023,810	A		2/2000	Gessert		
D424,305	S	*	5/2000	Lozeau et al.	D4/118
6,216,306	B1		4/2001	Esterson et al.		
D453,075	S	*	1/2002	Liu	D4/118
D470,985	S	*	2/2003	Zemel	D32/48
D485,031	S	*	1/2004	Anderson et al.	D32/42
D485,032	S	*	1/2004	Anderson et al.	D32/42

D485,656	S	*	1/2004	Anderson et al.	D32/42
D521,200	S		5/2006	Veltrop et al.		
D522,246	S	*	6/2006	Franczak et al.	D4/119
D523,198	S	*	6/2006	Veltrop et al.	D32/49
7,155,770	B2	*	1/2007	Anderson et al.	15/111
D544,160	S	*	6/2007	Thomas	D32/42
D548,911	S	*	8/2007	Main et al.	D32/50
D580,612	S	*	11/2008	Matousek et al.	D32/49
D597,315	S	*	8/2009	Hoffelner	D4/118

(Continued)

FOREIGN PATENT DOCUMENTS

GB	20886889	*	3/2000
RU	00069404	*	3/2009

OTHER PUBLICATIONS

Get serious with this mega grill brush / scraper!, Announced Apr. 13, 2011, [Site Visited Dec. 5, 2014],<http://www.gizmo-central.com/food-gizmos/get-serious-with-this-mega-grill-brush-scraper/>.*

(Continued)

Primary Examiner — John Windmuller

Assistant Examiner — Luqman McNeil

(74) *Attorney, Agent, or Firm* — Robert C. Montgomery;
Montgomery Patent and Design, LLC

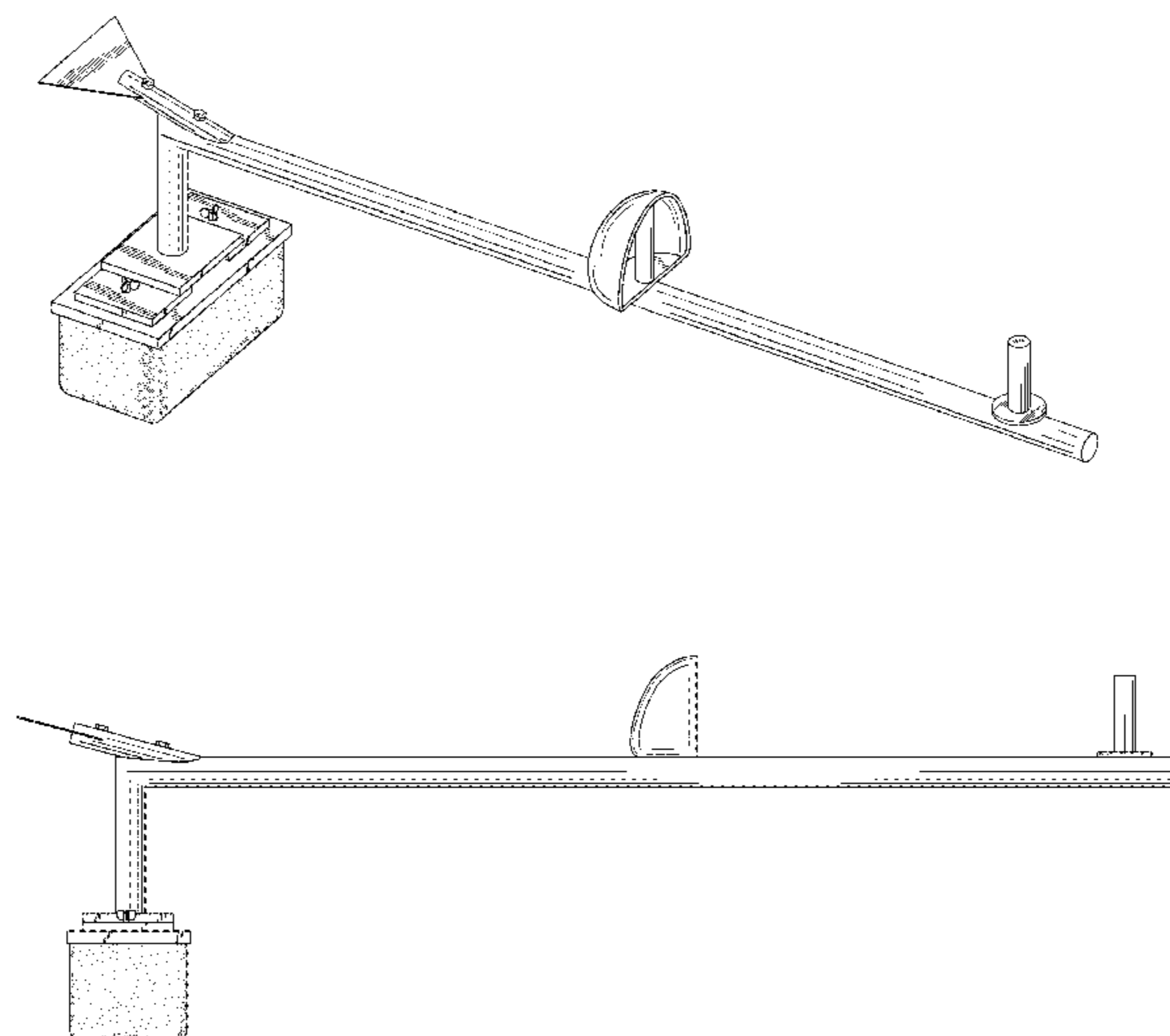
(57) **CLAIM**

The ornamental design for a grill scraper with an attachable cleaning brick, as shown and described.

DESCRIPTION

FIG. 1 is a side perspective view of a grill scraper with an attachable cleaning brick, showing my new design;
FIG. 2 is a front view thereof;
FIG. 3 is a rear view thereof;
FIG. 4 is a left side view thereof with a right side view being a mirror image;
FIG. 5 is a top view thereof; and,
FIG. 6 is a bottom view thereof.

1 Claim, 6 Drawing Sheets



(56)

References Cited

U.S. PATENT DOCUMENTS

7,631,387 B2 * 12/2009 Sclafani et al. 15/41.1
D611,513 S * 3/2010 Coburn D15/140
D617,967 S * 6/2010 Lambert D32/46
D629,984 S 12/2010 Carlson et al.
8,032,974 B2 * 10/2011 Carpenter 15/229.11
D652,593 S * 1/2012 Wu D32/40
D681,345 S * 5/2013 Wales D4/138
8,438,687 B2 * 5/2013 Cybulski et al. 15/111
D690,116 S * 9/2013 Zemel et al. D4/138
D705,511 S * 5/2014 Jacobsen et al. D32/46
8,832,898 B1 * 9/2014 Stimach 15/236.01

OTHER PUBLICATIONS

Heated Ice Scraper, Announced Dec. 6, 2006, [Site Visited Dec. 5, 2014]<http://www.thegreenhead.com/2006/12/heated-ice-scraper.php>.*

Winco GNH-2 Griddle Brick Holder. amazon.com.http://www.amazon.com/Winco-GBH-2-Griddle-Brick-Holder/dp/B001VZ8RPI/ref=pd_bxgy_hg_text_b, reference dated Apr. 11, 2012.

* cited by examiner

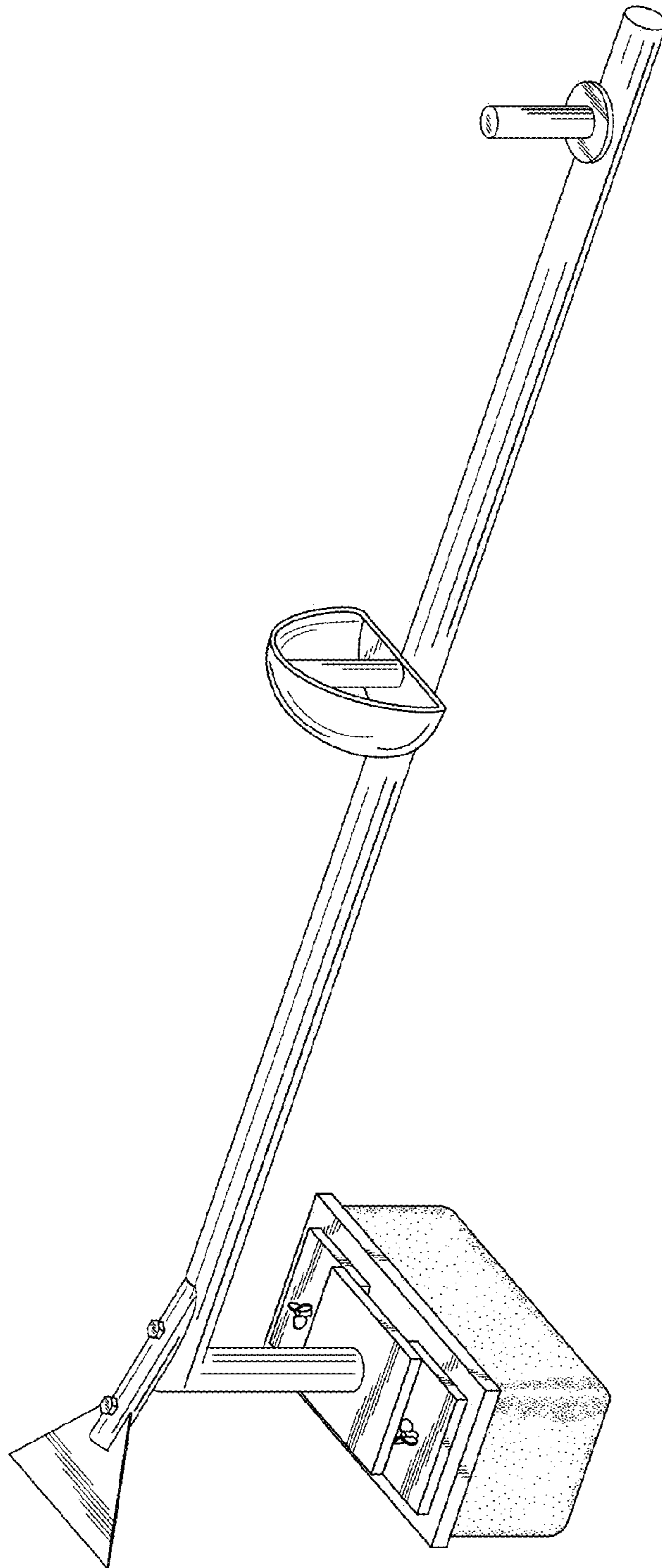


Fig. 1

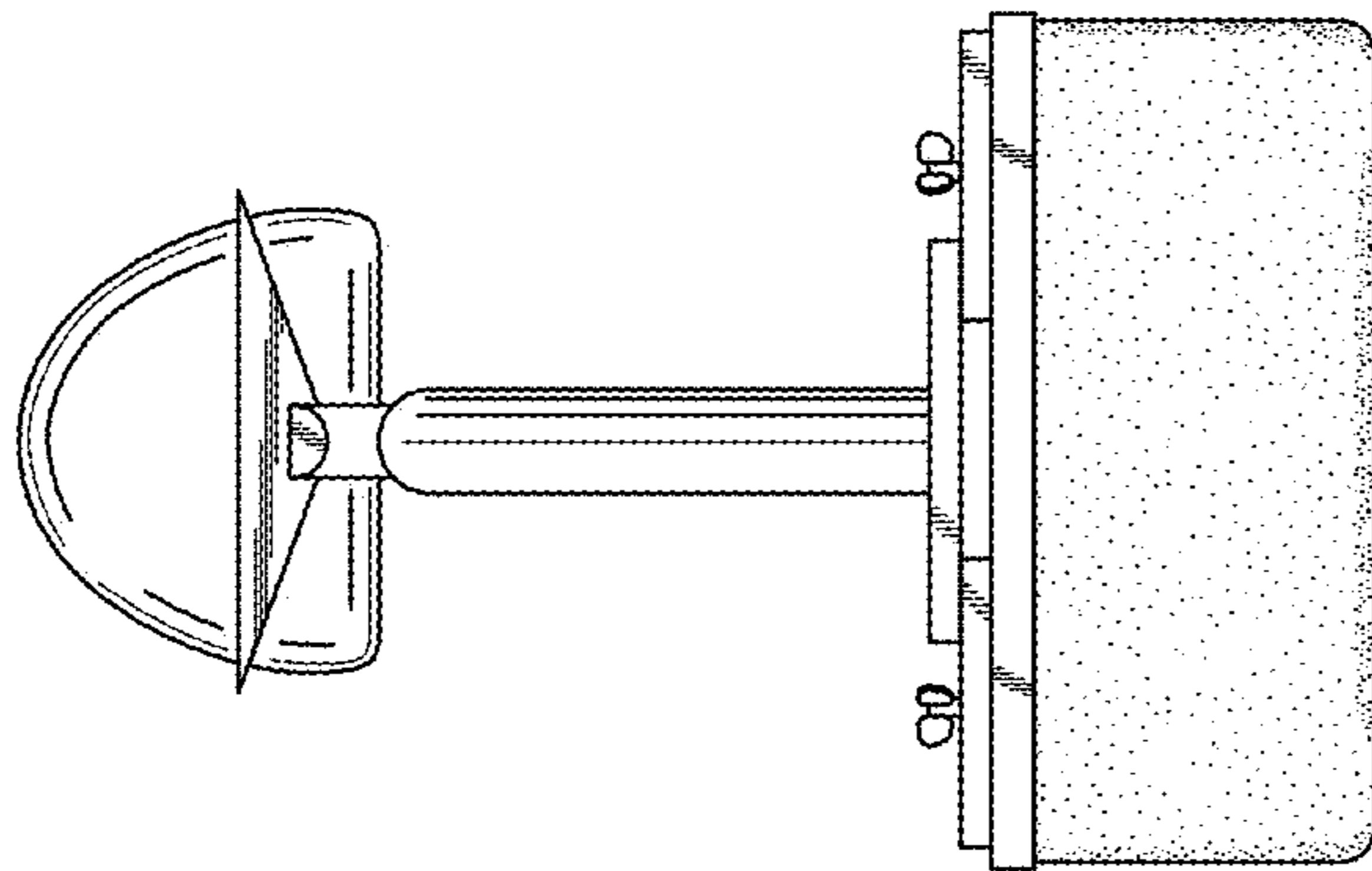


Fig. 2

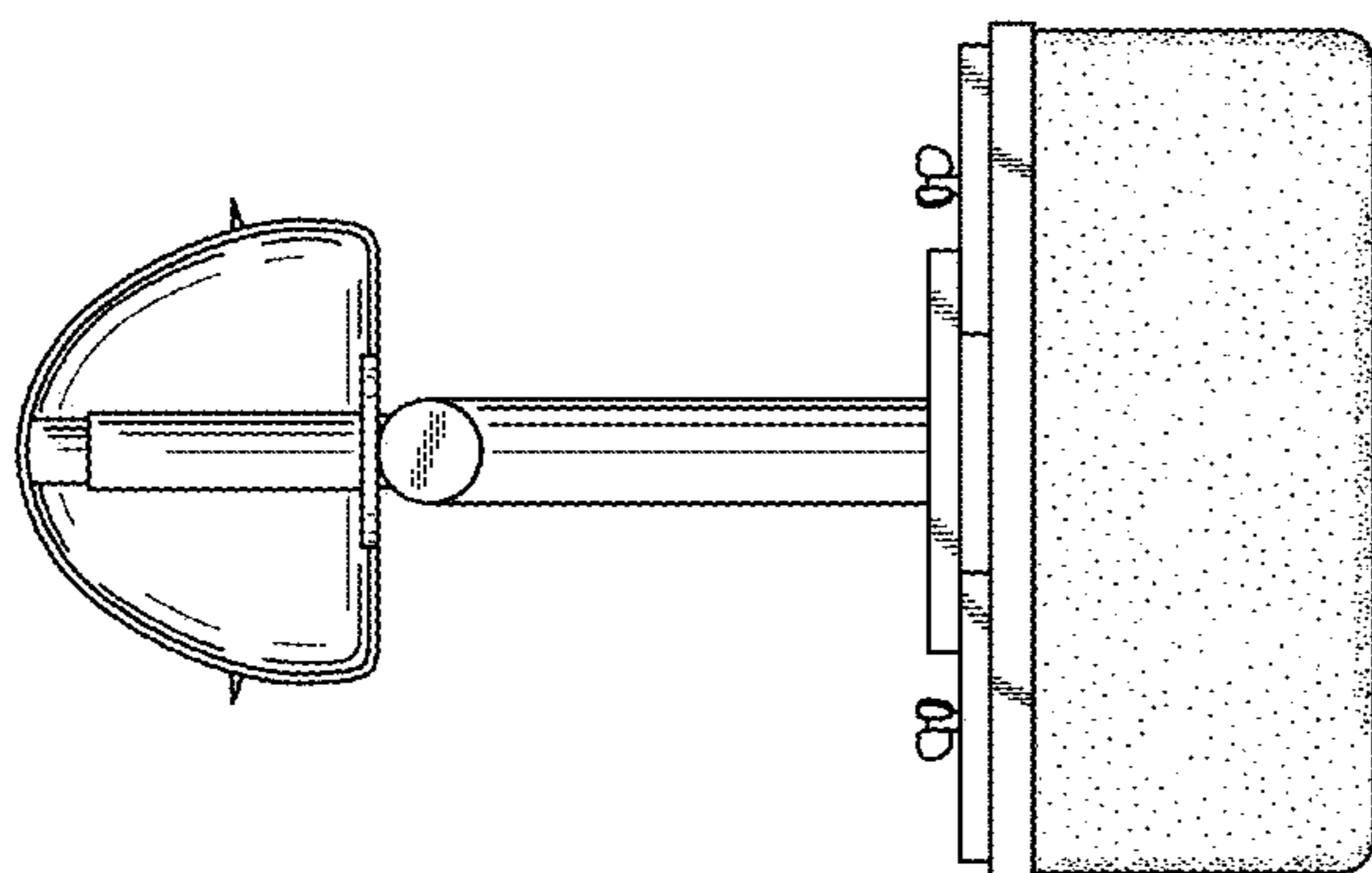


Fig. 3

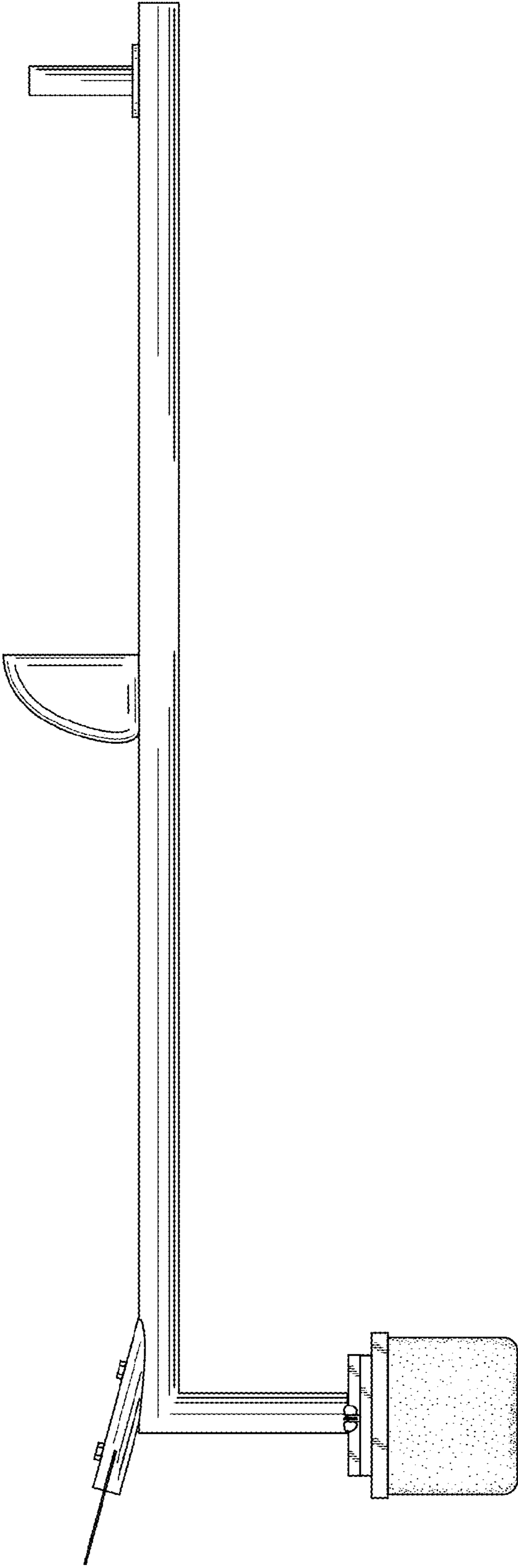


Fig. 4

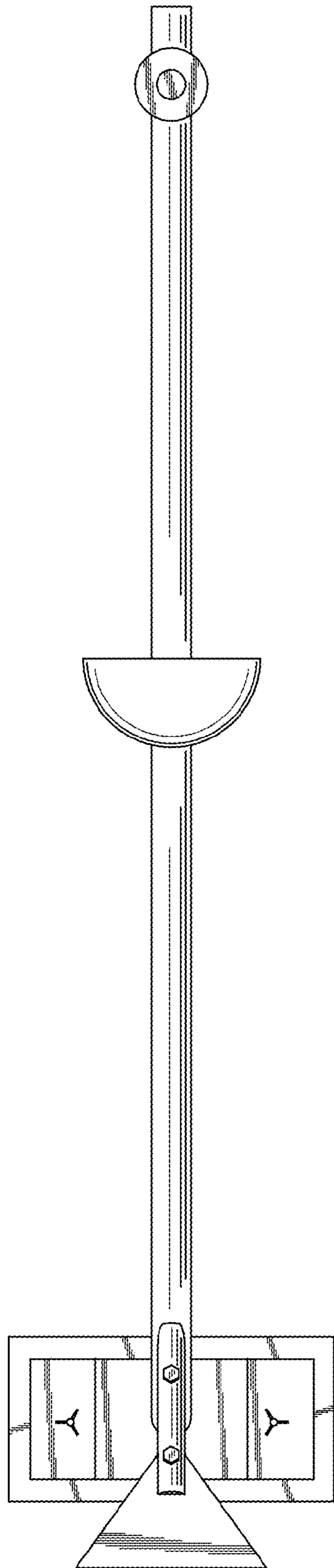


Fig. 5

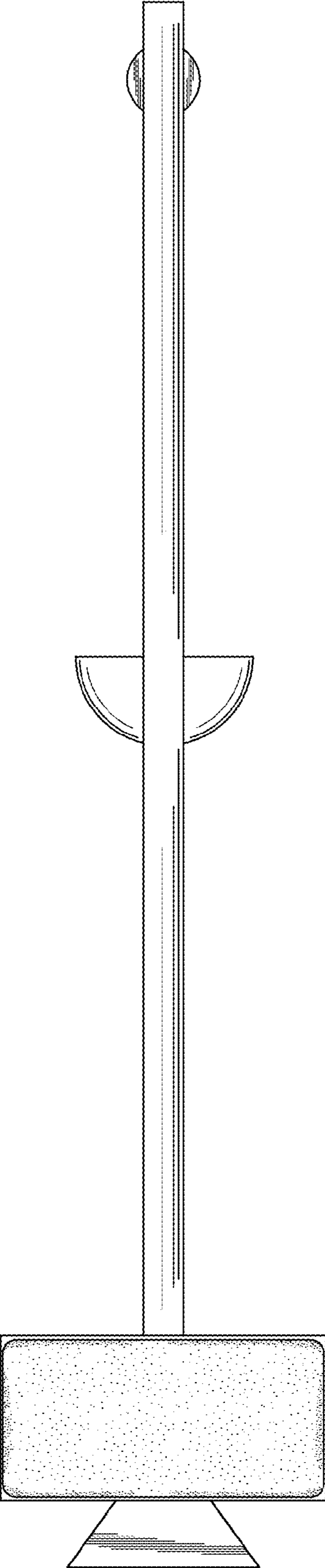


Fig. 6