



US00D750333S

(12) **United States Design Patent**
Kane

(10) **Patent No.:** **US D750,333 S**
(45) **Date of Patent:** **** Feb. 23, 2016**

- (54) **CHEMICAL CLEANING APPARATUS**
- (71) Applicant: **Crossford International, LLC**,
Stamford, CT (US)
- (72) Inventor: **Timothy J. Kane**, Greenwich, CT (US)
- (73) Assignee: **Crossford International, LLC**,
Stamford, CT (US)
- (**) Term: **14 Years**
- (21) Appl. No.: **29/512,977**
- (22) Filed: **Dec. 23, 2014**
- (51) **LOC (10) Cl.** **15-05**
- (52) **U.S. Cl.**
USPC **D32/25**
- (58) **Field of Classification Search**
USPC D32/1, 25, 17, 15; D23/213, 223, 225,
D23/226
CPC B05B 1/302; B05B 7/2443; B05B 7/12;
B01J 47/002; A62C 13/76
See application file for complete search history.

- D489,792 S * 5/2004 Chen D23/223
- 6,729,560 B2 5/2004 Foster et al.
- 6,752,330 B2 6/2004 DiMaggio et al.
- 6,869,028 B2 * 3/2005 Bartsch B01J 47/002
239/303
- 6,910,605 B2 6/2005 von Schuckmann et al.
- D511,808 S * 11/2005 Chen D23/223
- D518,253 S * 3/2006 Erlich D32/18
- D539,494 S * 3/2007 Carpanese D32/25
- 7,237,728 B1 * 7/2007 Laible A62C 13/76
239/310
- D550,411 S * 9/2007 Carpanese D32/25
- 7,328,859 B2 2/2008 Hornsby et al.
- 7,407,117 B2 8/2008 Dodd
- 7,445,167 B1 11/2008 Chen
- 7,464,887 B2 12/2008 Lo
- 7,490,783 B2 2/2009 Mueller et al.
- D611,664 S * 3/2010 Sebor D32/15
- 7,775,405 B2 8/2010 Sweeton et al.
- 7,967,171 B2 6/2011 Foster et al.
- 7,997,449 B2 8/2011 Banco et al.
- 8,066,155 B2 11/2011 Tada
- 8,069,878 B2 12/2011 Laible
- 8,104,646 B2 1/2012 Foster et al.

(Continued)

Primary Examiner — T. Chase Nelson
Assistant Examiner — Michelle E Wilson
(74) *Attorney, Agent, or Firm* — Carson C. K. Fincham;
Fincham Downs, LLC

(56) **References Cited**

U.S. PATENT DOCUMENTS

- 4,475,689 A * 10/1984 Hauger B05B 7/2443
239/318
- 5,560,545 A 10/1996 Grogan et al.
- 5,819,987 A 10/1998 Miller
- 5,884,820 A 3/1999 Thanisch et al.
- D422,055 S * 3/2000 Stasny D23/226
- 6,116,472 A 9/2000 Wanbaugh et al.
- D436,700 S * 1/2001 Forbes D32/25
- 6,234,412 B1 5/2001 von Schuckmann
- 6,378,785 B1 * 4/2002 Dodd B05B 7/2443
239/318
- 6,471,141 B2 10/2002 Smith et al.
- D474,529 S * 5/2003 Sodemann D23/223
- 6,641,003 B1 11/2003 Foster et al.
- 6,669,061 B2 12/2003 Tada
- 6,726,123 B2 4/2004 Wang

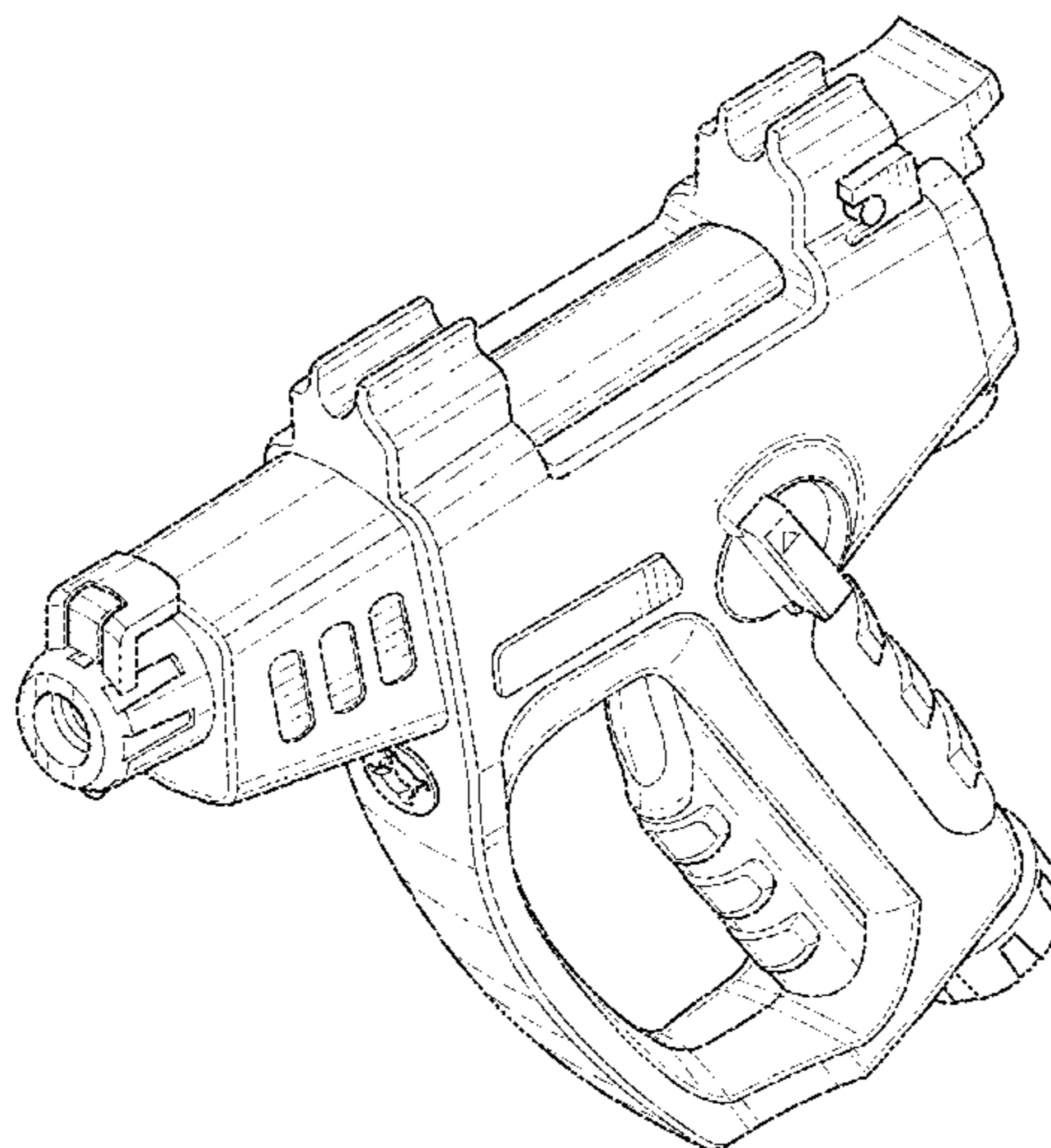
(57) **CLAIM**

The ornamental design for a chemical cleaning apparatus, as shown and described.

DESCRIPTION

FIG. 1 is a top-front, right side perspective view of a chemical cleaning apparatus according to the new design;
FIG. 2 is a right side view thereof;
FIG. 3 is a left side view thereof;
FIG. 4 is a rear view thereof;
FIG. 5 is a front view thereof;
FIG. 6 is a top view thereof; and,
FIG. 7 is a bottom view thereof.

1 Claim, 5 Drawing Sheets



(56)

References Cited

U.S. PATENT DOCUMENTS

8,177,143 B2	5/2012	Laible					
8,235,310 B2	8/2012	Birrenkott et al.					
8,281,960 B1	10/2012	Gers					
D675,713 S *	2/2013	Christensen	D23/225				
D681,889 S *	5/2013	Bruneel	D32/25				
8,469,291 B2	6/2013	Foster et al.					
8,714,415 B2	5/2014	Rech et al.					
8,726,939 B2 *	5/2014	Laible	B05B 7/12				
			137/892				
8,733,342 B2	5/2014	Giroux et al.					
8,800,822 B2	8/2014	Good et al.					
8,800,823 B2	8/2014	Sweeton					
8,839,991 B2	9/2014	Smernoff					
8,840,045 B2	9/2014	Thurin et al.					
				D726,982 S *	4/2015	Campelli	D32/25
				D728,876 S *	5/2015	Scarpellini	D32/25
				D729,474 S *	5/2015	Helfert	D32/25
				2004/0118947 A1 *	6/2004	Amaduzzi	B05B 1/302
							239/525
				2004/0195383 A1 *	10/2004	Amaduzzi	B05B 1/302
							239/526
				2010/0133358 A1	6/2010	Gehring	
				2011/0147419 A1	6/2011	Tada et al.	
				2011/0253805 A1	10/2011	Lee	
				2012/0255973 A1	10/2012	Schlueter et al.	
				2013/0008923 A1	1/2013	Syson et al.	
				2013/0161359 A1	6/2013	Alluigi et al.	
				2013/0220316 A1	8/2013	Oglesby et al.	
				2014/0061233 A1	3/2014	Lang et al.	
				2014/0239018 A1	8/2014	Maas et al.	

* cited by examiner

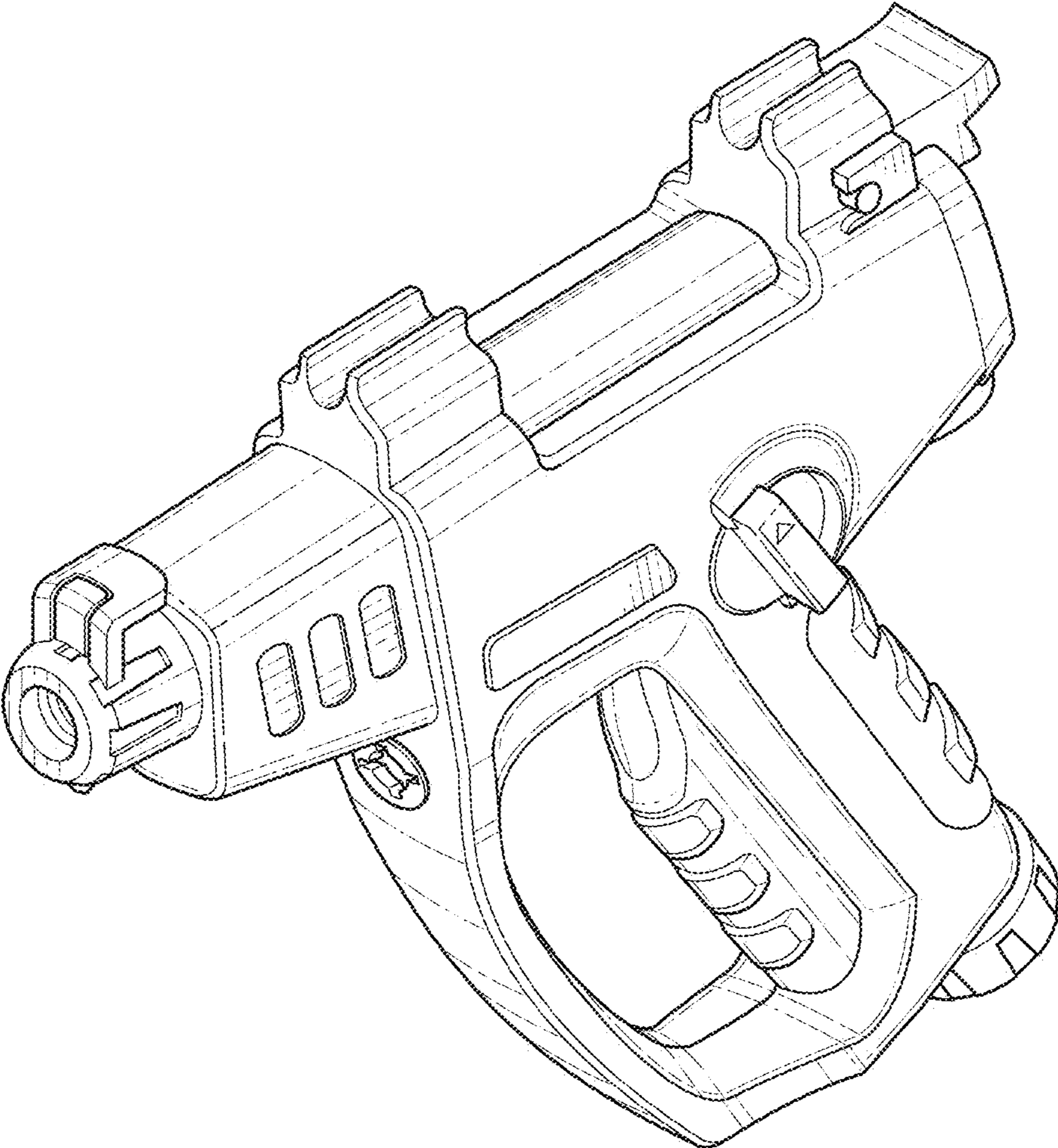


FIG. 1

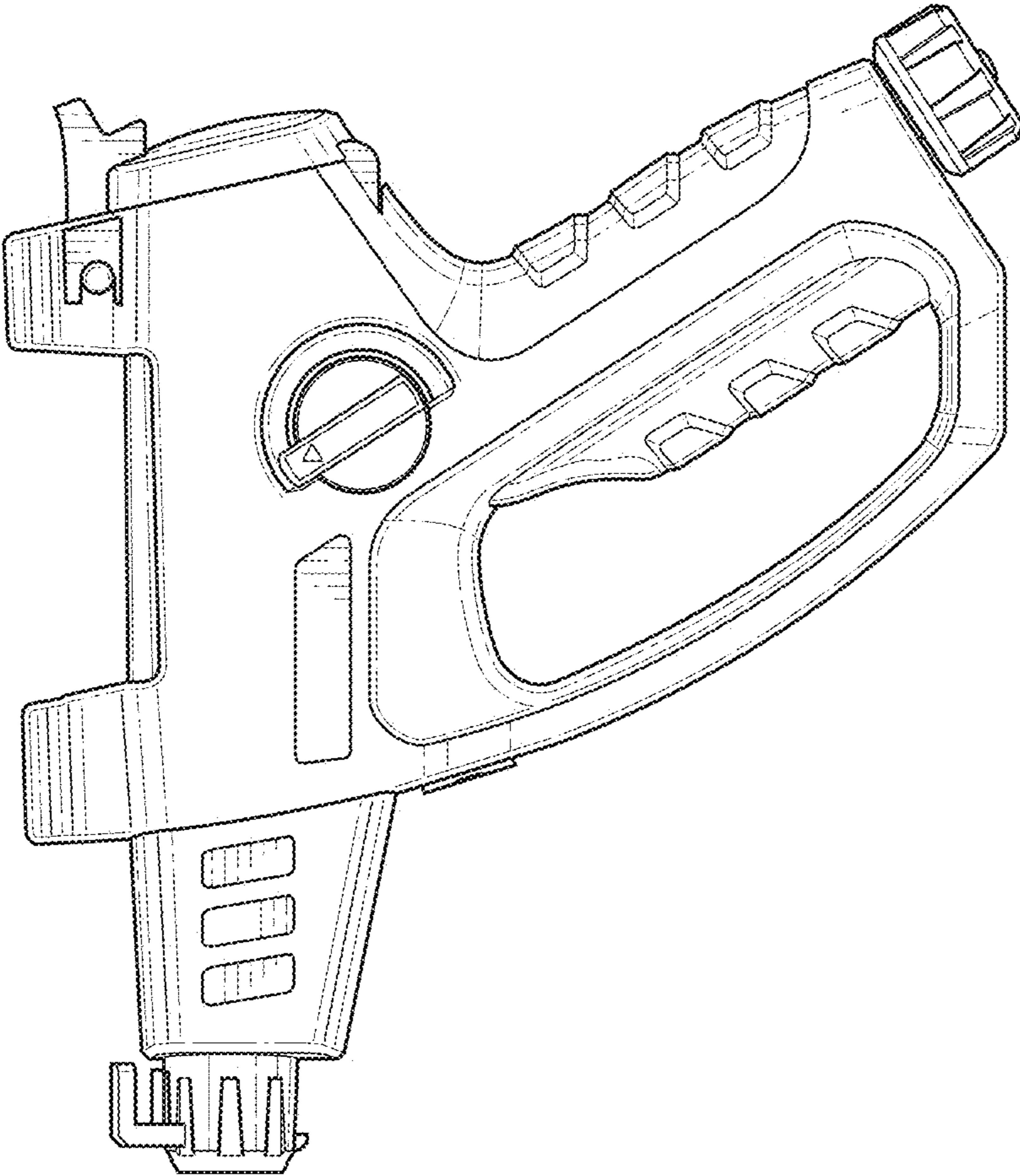


FIG. 2

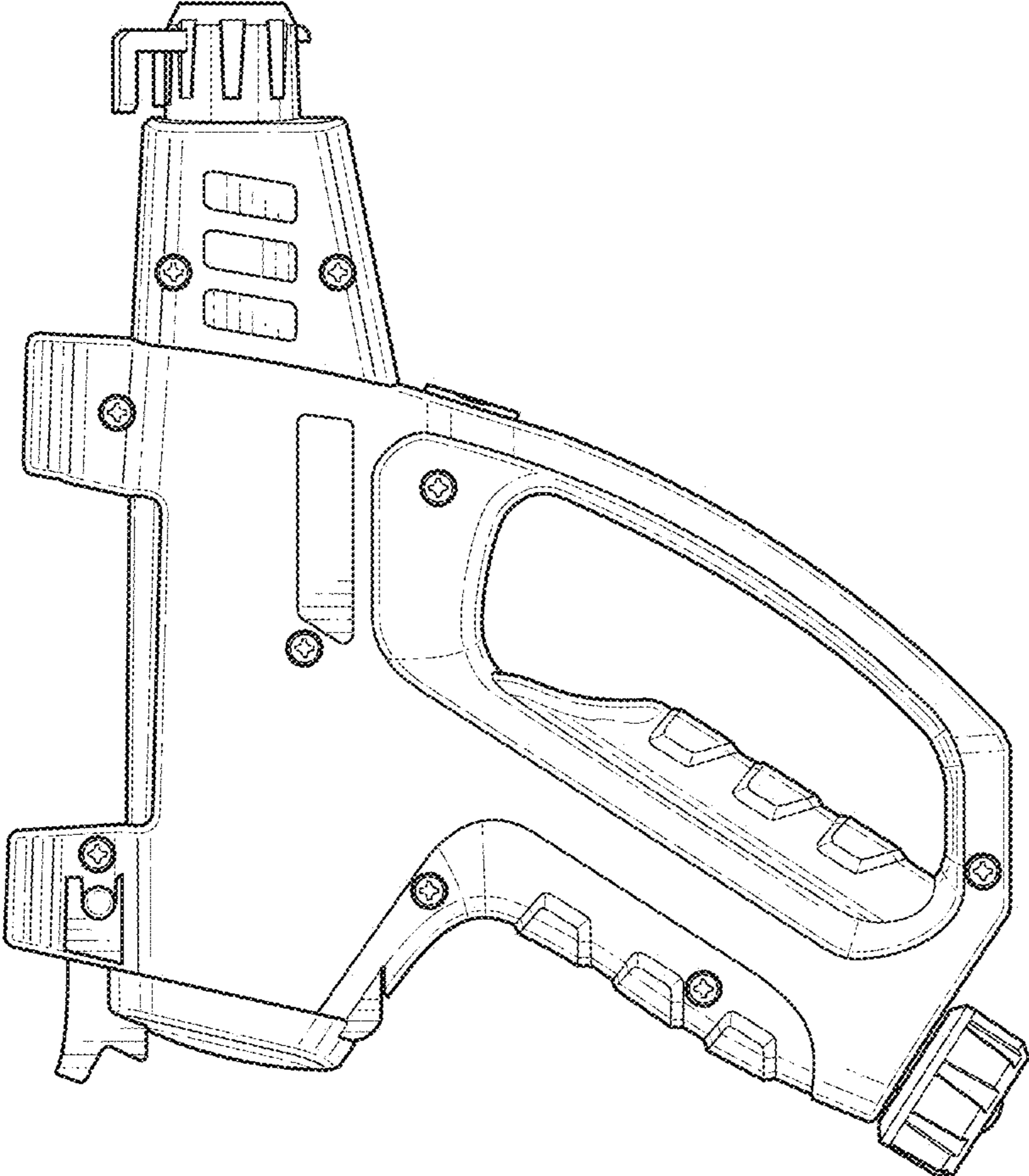


FIG. 3

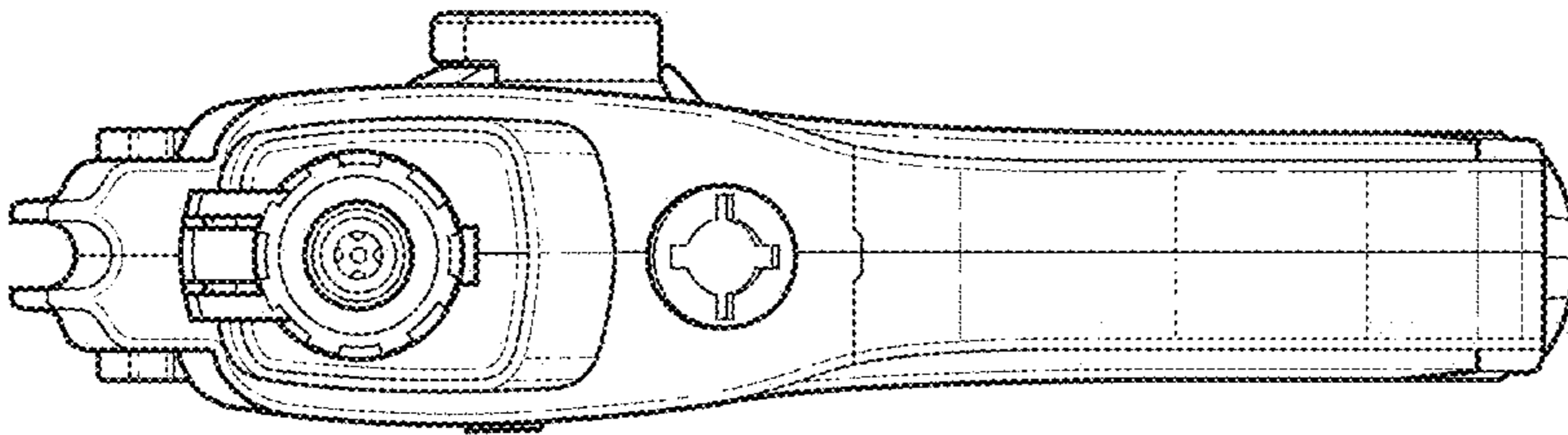


FIG. 5

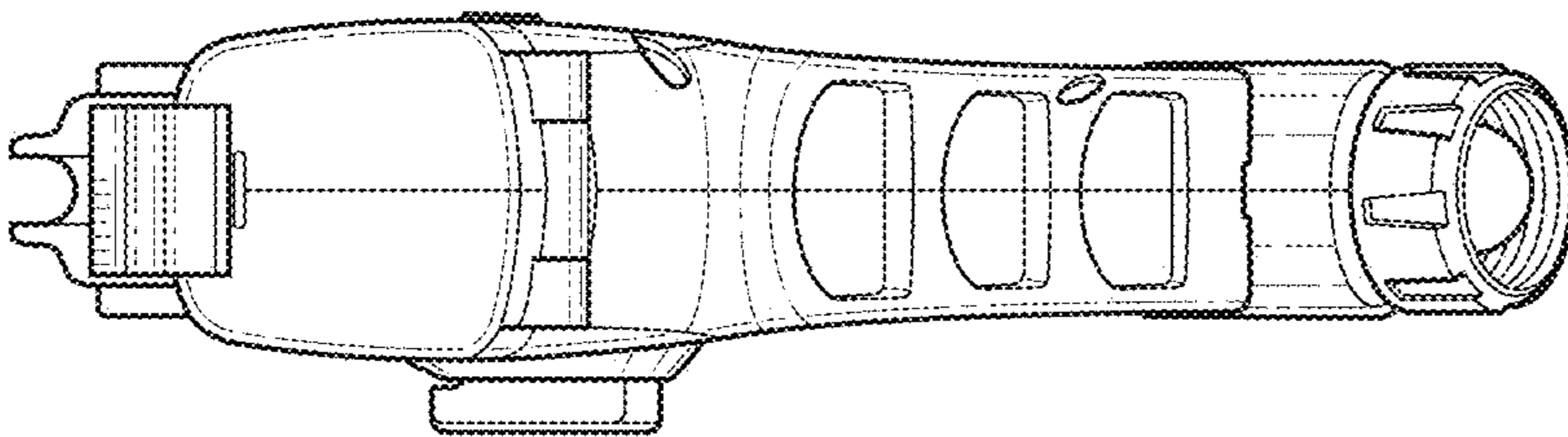


FIG. 4

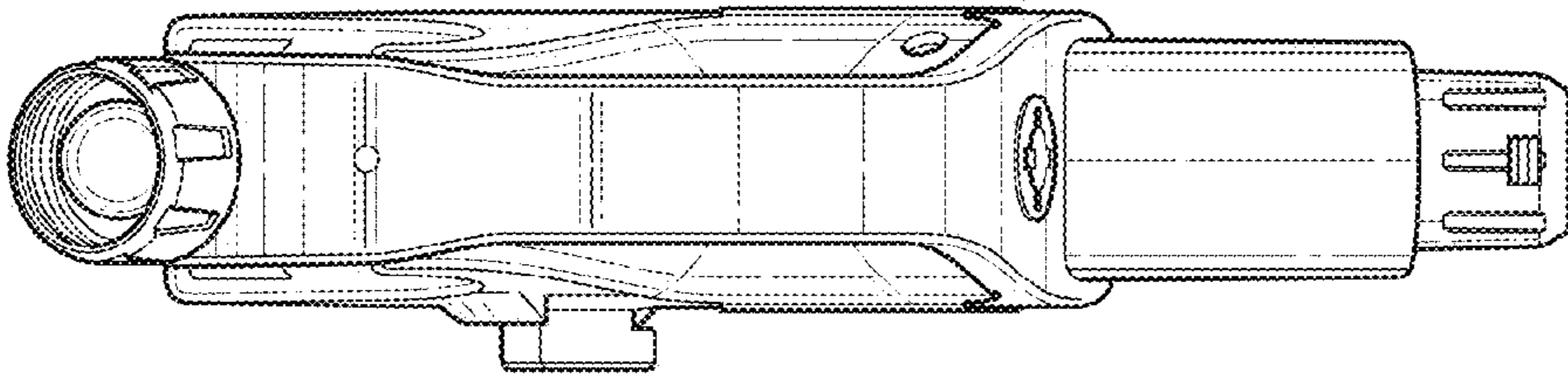


FIG. 7

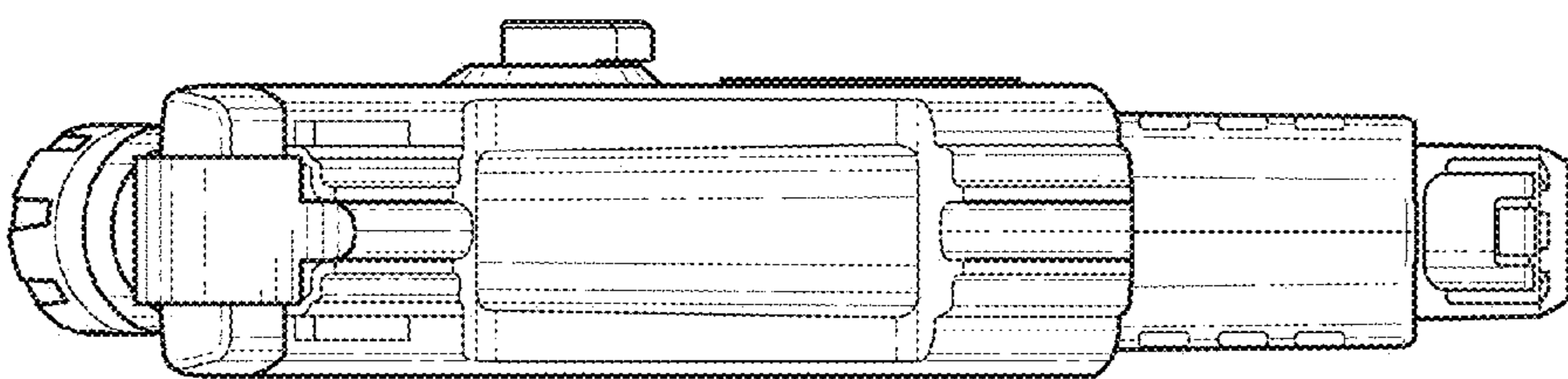


FIG. 6