



US00D750330S

(12) **United States Design Patent**  
**Westerweel**

(10) **Patent No.:** **US D750,330 S**

(45) **Date of Patent:** **\*\* Feb. 23, 2016**

(54) **RESCUE DEVICE**

8,701,833 B2 \* 4/2014 Marquardt et al. .... 182/231  
8,800,719 B2 \* 8/2014 Auston et al. .... 182/231  
9,056,753 B2 \* 6/2015 Luntz et al.

(71) Applicant: **Ziet Verder Beheer B.V.**, Blaricum (NL)

\* cited by examiner

(72) Inventor: **Jon M. Westerweel**, Blaricum (NL)

*Primary Examiner* — Randall Gholson

(73) Assignee: **Ziet Verder Beheer B.V.** (NL)

(74) *Attorney, Agent, or Firm* — Fross Zelnick Lehrman & Zissu, P.C.; Charles T. J. Weigell, Esq.

(\*\*) Term: **14 Years**

(21) Appl. No.: **29/496,659**

(57) **CLAIM**

(22) Filed: **Jul. 16, 2014**

The ornamental design for a rescue device, as shown and described.

(51) **LOC (10) Cl.** ..... **29-02**

(52) **U.S. Cl.**  
USPC ..... **D29/124**

**DESCRIPTION**

(58) **Field of Classification Search**  
USPC ..... D29/124; D8/349, 333, 330, 358, 360,  
D8/383, 499; 192/223.1; 242/353.5, 383,  
242/383.4; 29/434; 182/239, 237, 236, 231,  
182/232; 188/82.77  
CPC ..... A62B 1/14; A62B 1/00  
See application file for complete search history.

The file of this patent contains at least one drawing/photograph executed in color. Copies of this patent with color drawing(s)/photograph(s) will be provided by the Office upon request and payment of the necessary fee.

FIG. 1 is a front perspective view of a rescue device showing my new design;

FIG. 2 is a front view of the rescue device shown in FIG. 1;

FIG. 3 is a rear view of the rescue device shown in FIG. 1;

FIG. 4 is a right side view of the rescue device shown in FIG. 1;

FIG. 5 is a left side view of the rescue device shown in FIG. 1;

FIG. 6 is a top view of the rescue device shown in FIG. 1; and,

FIG. 7 is a bottom view of the rescue device shown in FIG. 1.

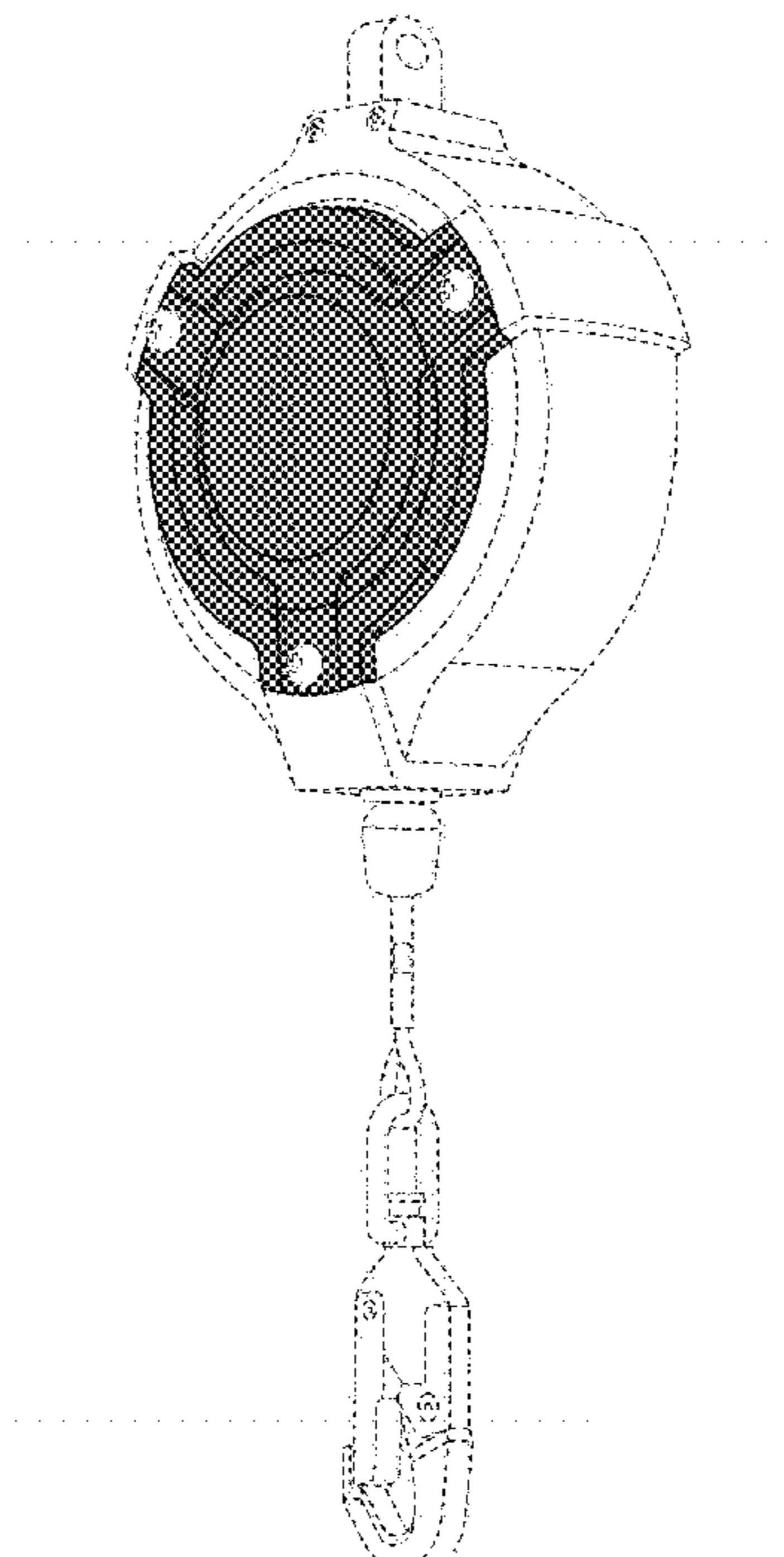
The broken line showing of the bolts, spool body, carabiner, hooks, cables, and attachment mechanisms in relevant drawings shows unclaimed subject matter for the design in those drawings.

(56) **References Cited**

U.S. PATENT DOCUMENTS

D377,447 S *	1/1997	Blye	.....	D8/358
D449,513 S *	10/2001	Stekelenburg	.....	D8/358
D496,254 S *	9/2004	Ham	.....	D8/358
D584,937 S *	1/2009	Kovacik et al.	.....	D8/358
D587,410 S *	2/2009	Wolner et al.	.....	D29/124
D628,043 S *	11/2010	Young et al.	.....	D8/333
8,052,080 B2 *	11/2011	Liang	.....	242/371
D656,686 S *	3/2012	Decker et al.	.....	D29/124
8,226,024 B2 *	7/2012	Meillet	.....	242/380
8,567,562 B2 *	10/2013	Meillet et al.	.....	182/234

**1 Claim, 5 Drawing Sheets**  
**(5 of 5 Drawing Sheet(s) Filed in Color)**



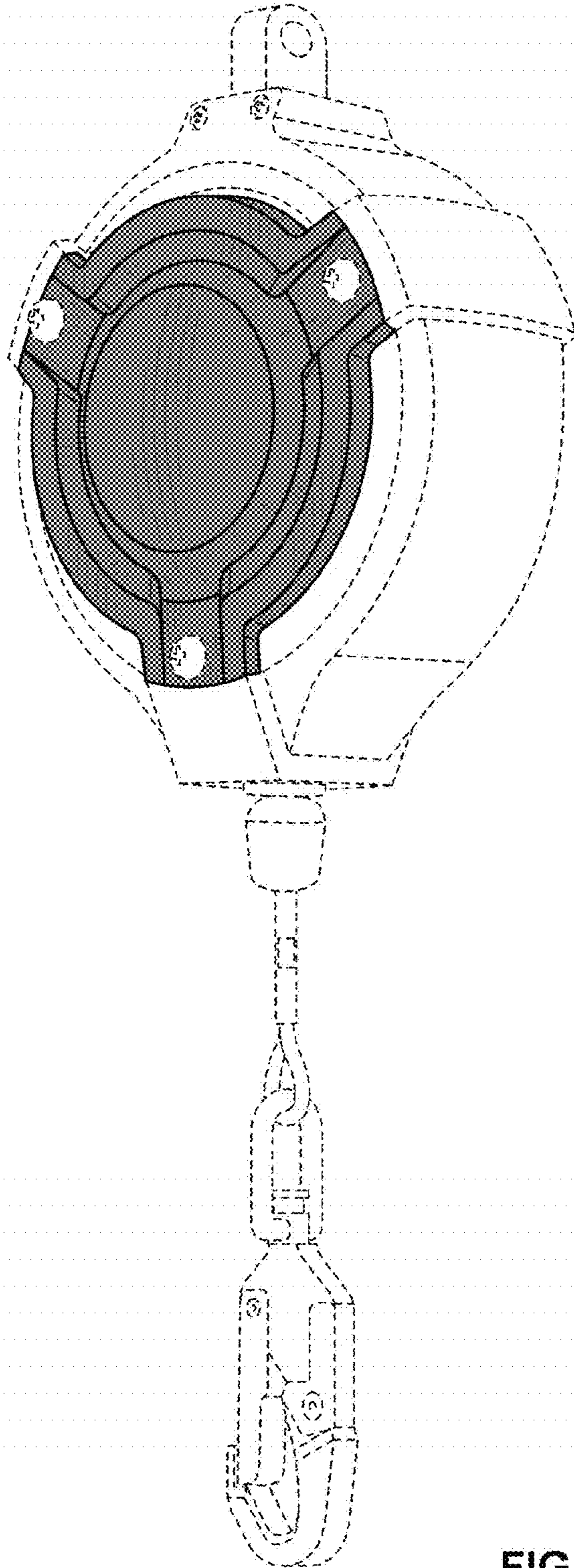


FIG. 1

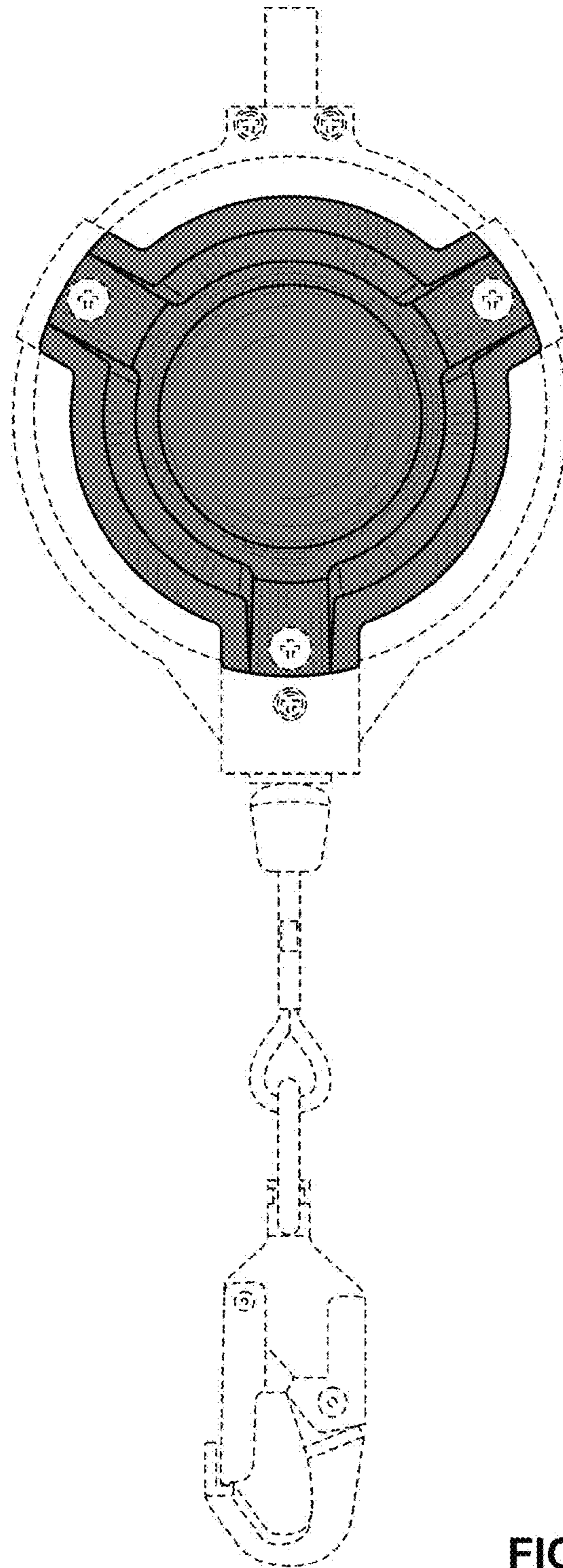


FIG. 2

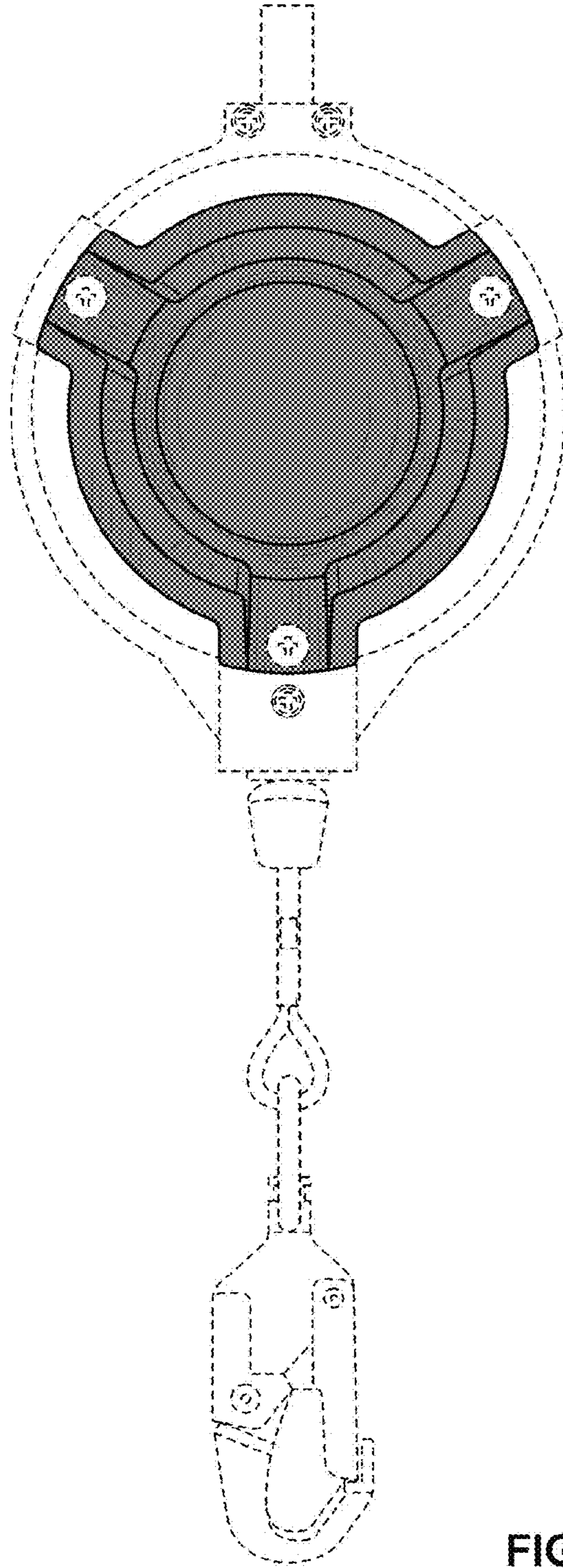


FIG. 3



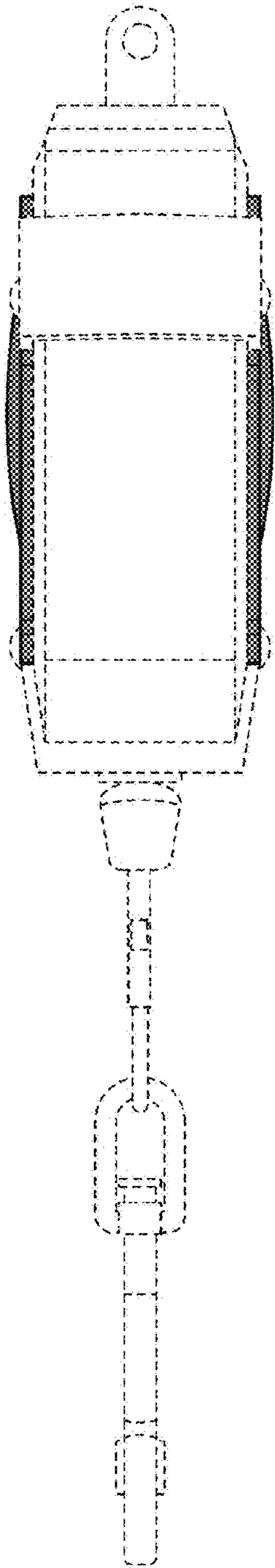


FIG. 4

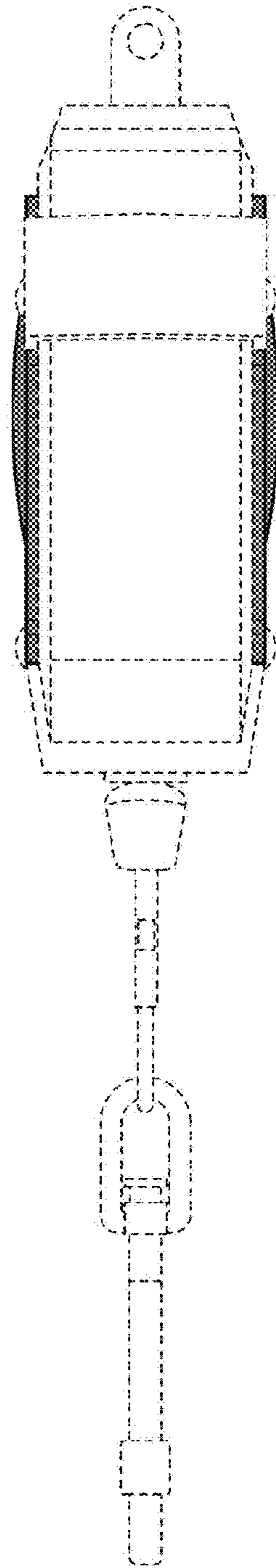


FIG. 5

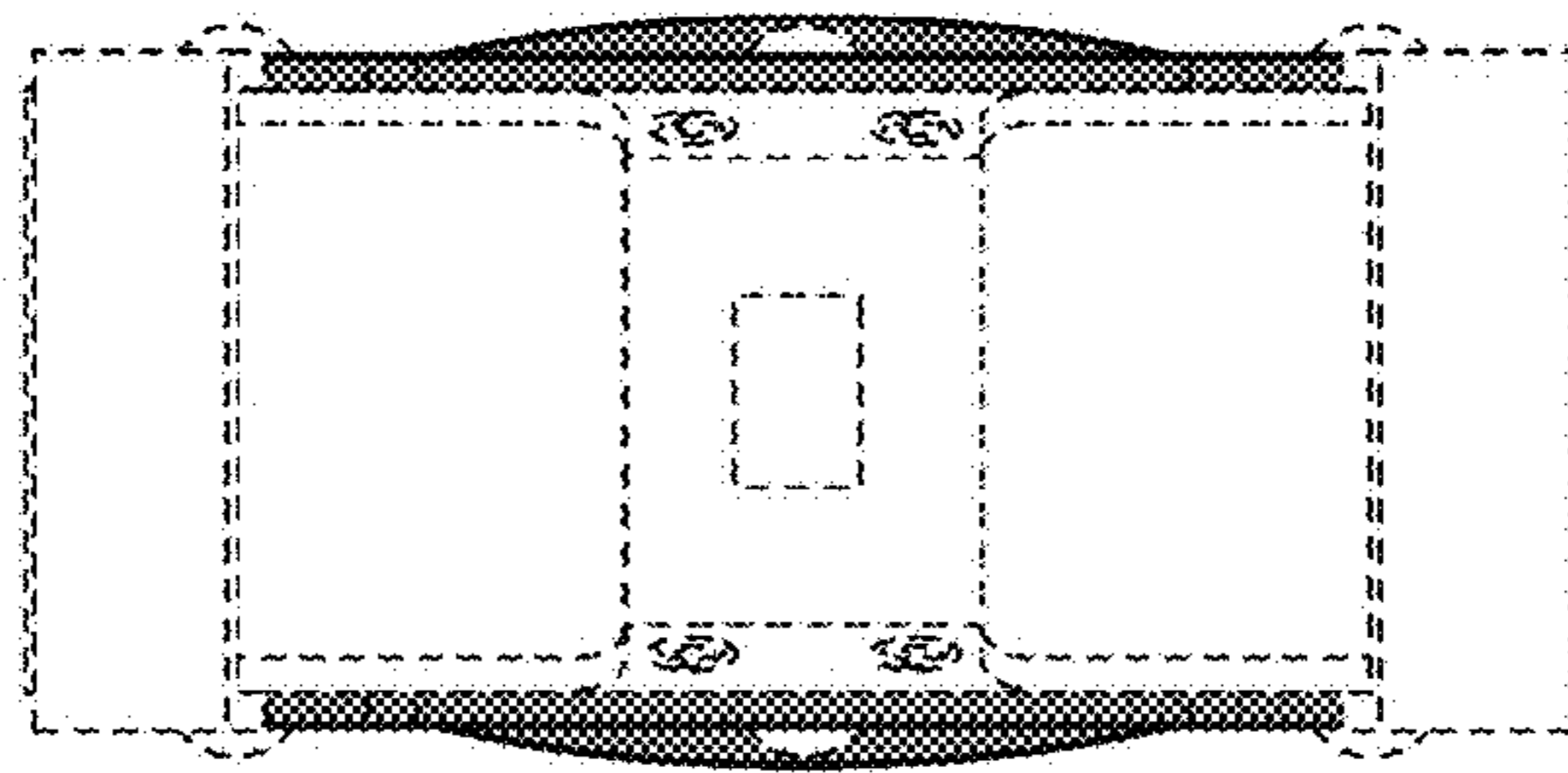


FIG. 6

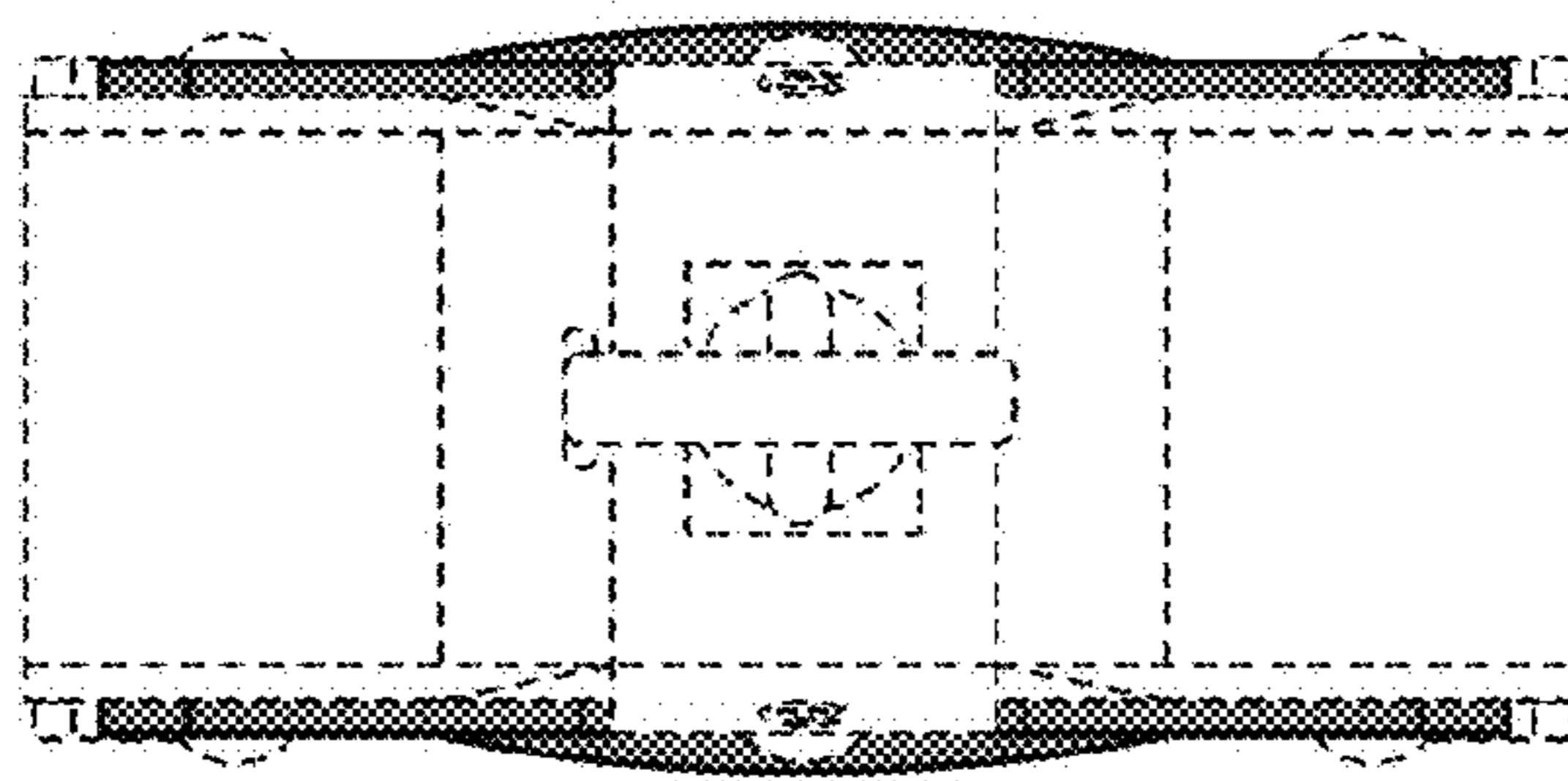


FIG. 7