



US00D750328S

(12) **United States Design Patent**
Feight

(10) **Patent No.:** **US D750,328 S**
(45) **Date of Patent:** **** Feb. 23, 2016**

(54) **BRUISE PROTECTIVE BELT APPARATUS**

(71) Applicant: **Bill Feight**, Bennett, CO (US)

(72) Inventor: **Bill Feight**, Bennett, CO (US)

(**) Term: **15 Years**

(21) Appl. No.: **29/534,378**

(22) Filed: **Jul. 28, 2015**

(51) **LOC (10) Cl.** **29-02**

(52) **U.S. Cl.**
USPC **D29/101.5**

(58) **Field of Classification Search**
USPC D29/100, 101.1–101.5; D2/629, 637,
D2/951; D24/190; D3/215–230; 602/5, 6,
602/19; 2/44, 311, 321, 464, 467
CPC A41D 1/06; A41D 13/05; A41D 13/015;
A61F 13/14
See application file for complete search history.

(56) **References Cited**

U.S. PATENT DOCUMENTS

5,316,022	A *	5/1994	Schiek, Sr.	128/876
5,403,271	A	4/1995	Saunders	
D366,555	S *	1/1996	Daniels	D29/101.5
5,577,648	A	11/1996	Sason et al.	
5,797,823	A	8/1998	Gouvis, II	

D550,847	S *	9/2007	Kixmiller	D24/190
D595,858	S *	7/2009	Kazel	D24/186
D595,859	S *	7/2009	Young	D24/190
D636,497	S *	4/2011	Giaccone	D24/206
D638,948	S *	5/2011	Janzon	D24/190
D652,992	S *	1/2012	Chen et al.	D29/101.5
D655,821	S *	3/2012	Matsuo	D24/206
D657,062	S *	4/2012	Chiang	D24/190
2010/0186149	A1	7/2010	Miller	
2010/0234780	A1	9/2010	Allen	
2011/0247127	A1	10/2011	Pou et al.	

* cited by examiner

Primary Examiner — Randall Gholson

(74) *Attorney, Agent, or Firm* — Andrew Alia; Carrie Stroup

(57) **CLAIM**

The ornamental design for a bruise protective belt apparatus, as shown and described.

DESCRIPTION

FIG. 1 is a front view of my new design for a bruise protective belt apparatus;
FIG. 2 is a top view thereof;
FIG. 3 is a left side view thereof;
FIG. 4 is a back side view thereof;
FIG. 5 is a right side view thereof;
FIG. 6 is a bottom side view thereof;
FIG. 7 is a top right side perspective view thereof; and,
FIG. 8 is a bottom right side perspective view thereof.

1 Claim, 8 Drawing Sheets

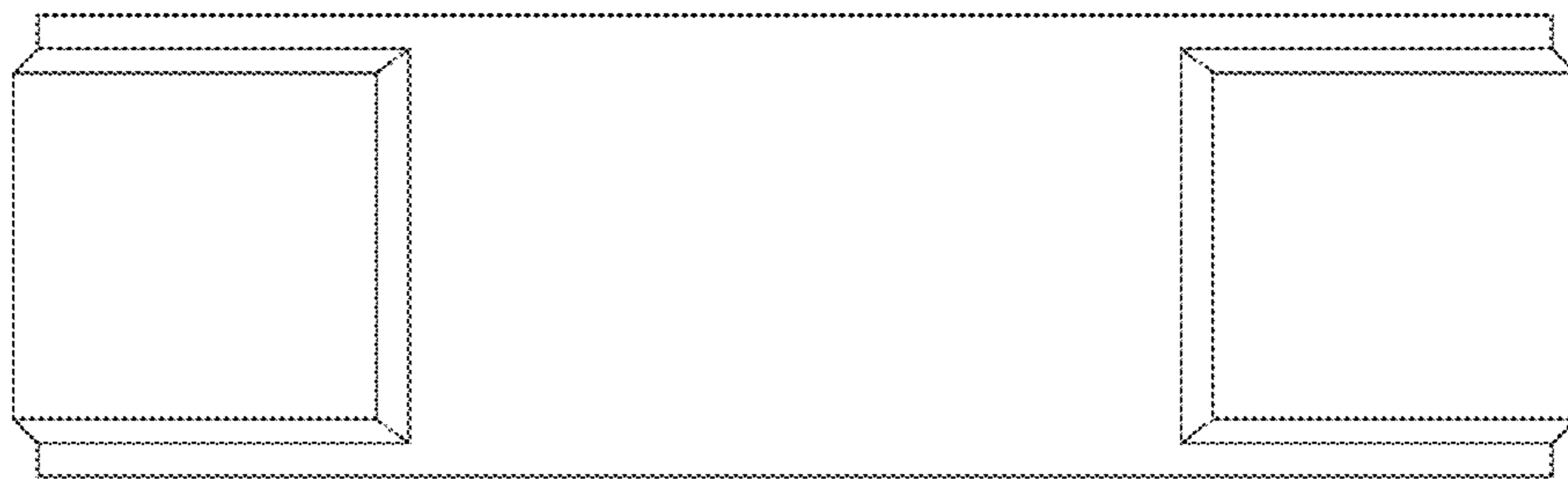




FIG. 1

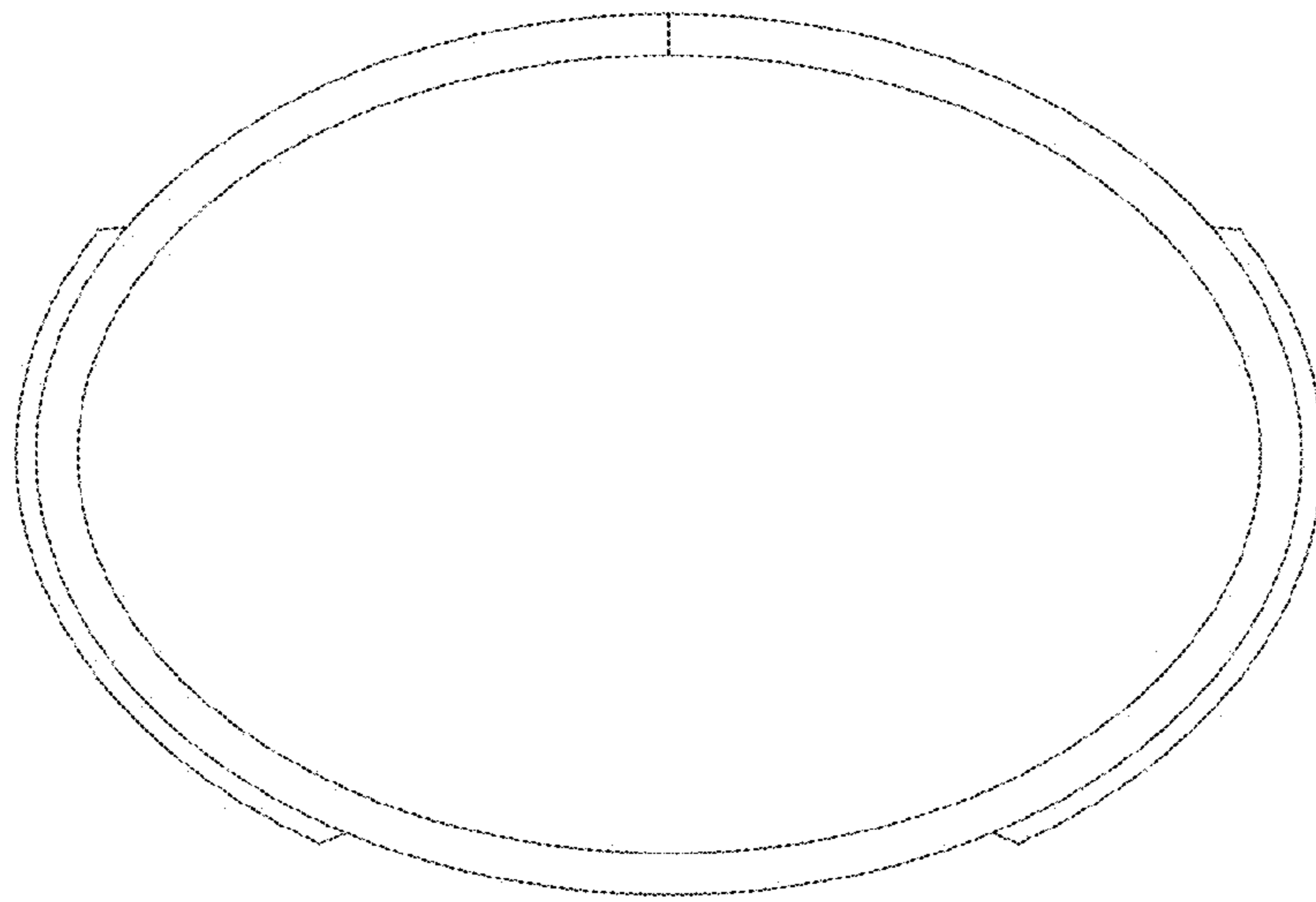


FIG. 2

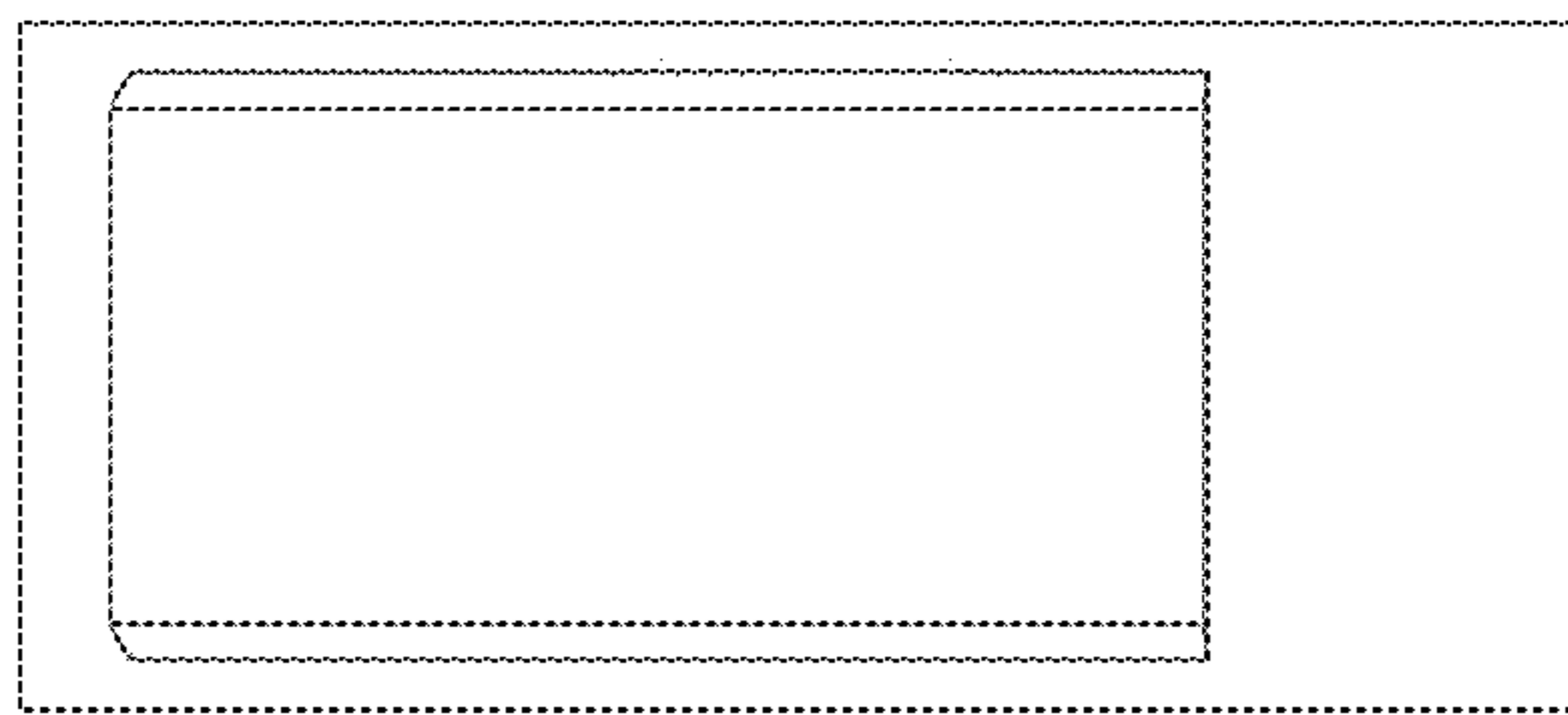


FIG. 3

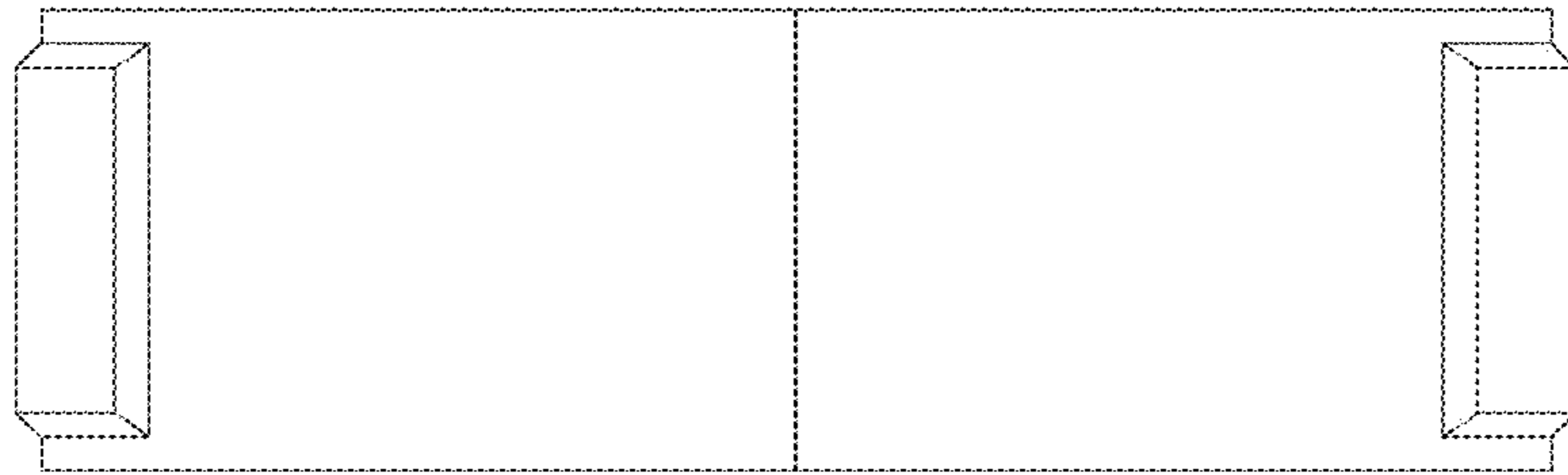


FIG. 4

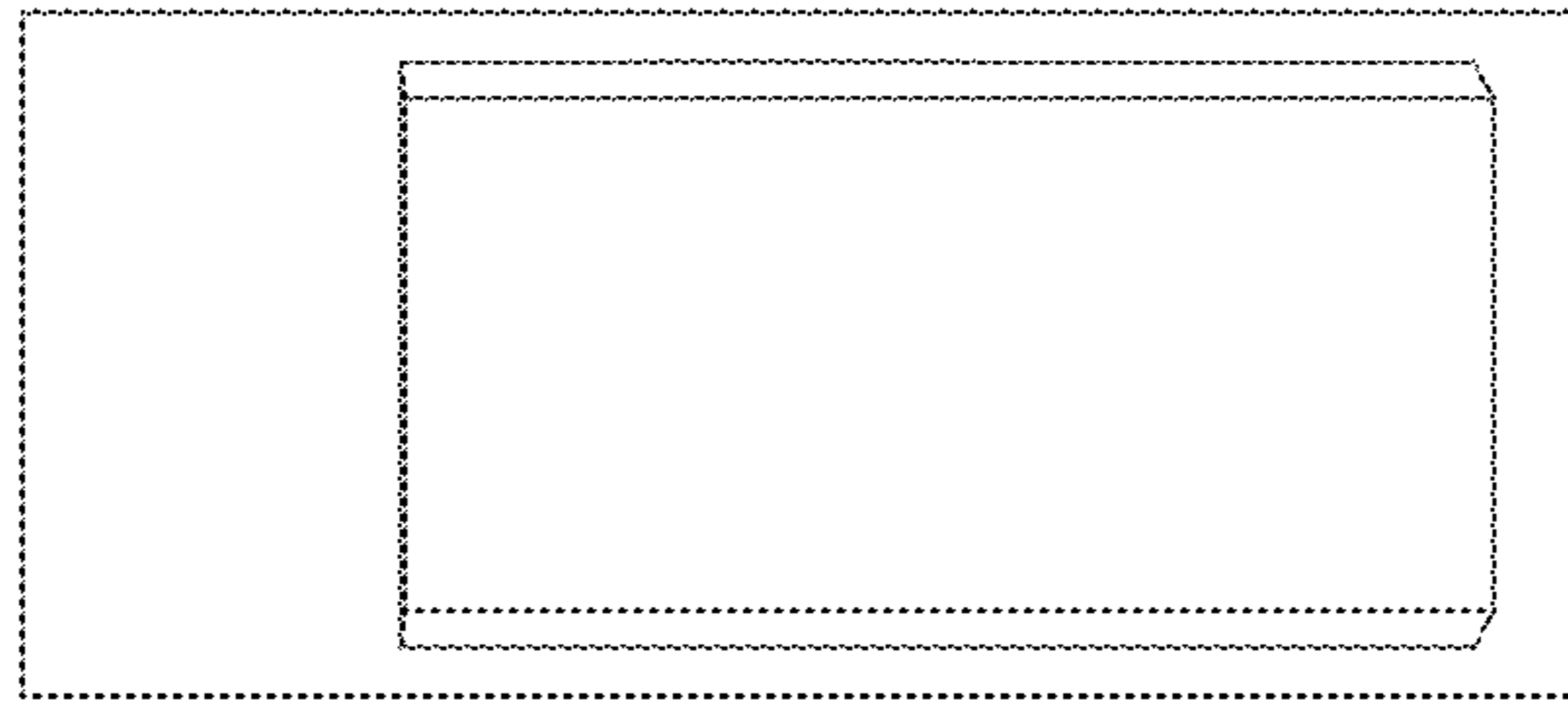


FIG. 5

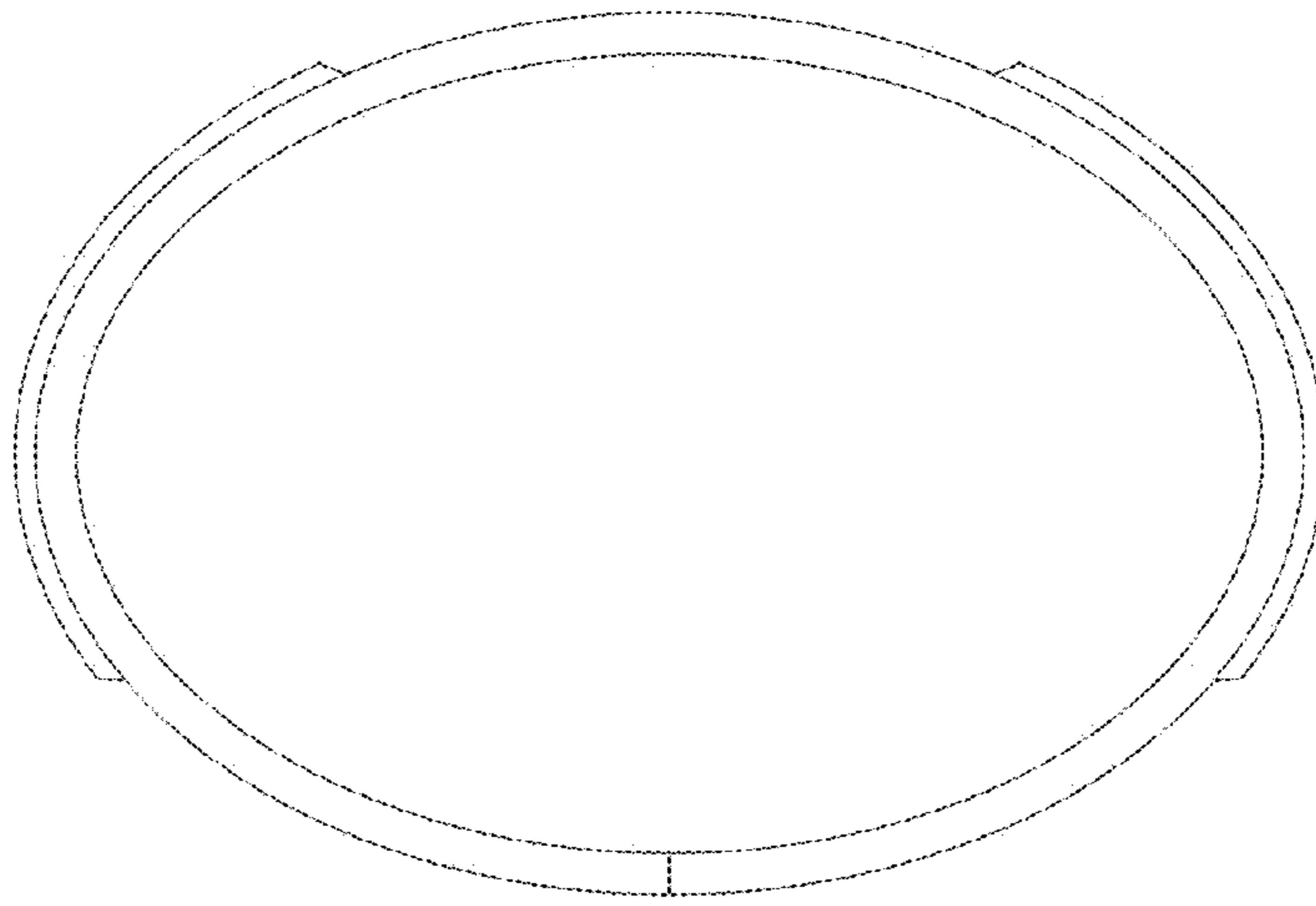


FIG. 6

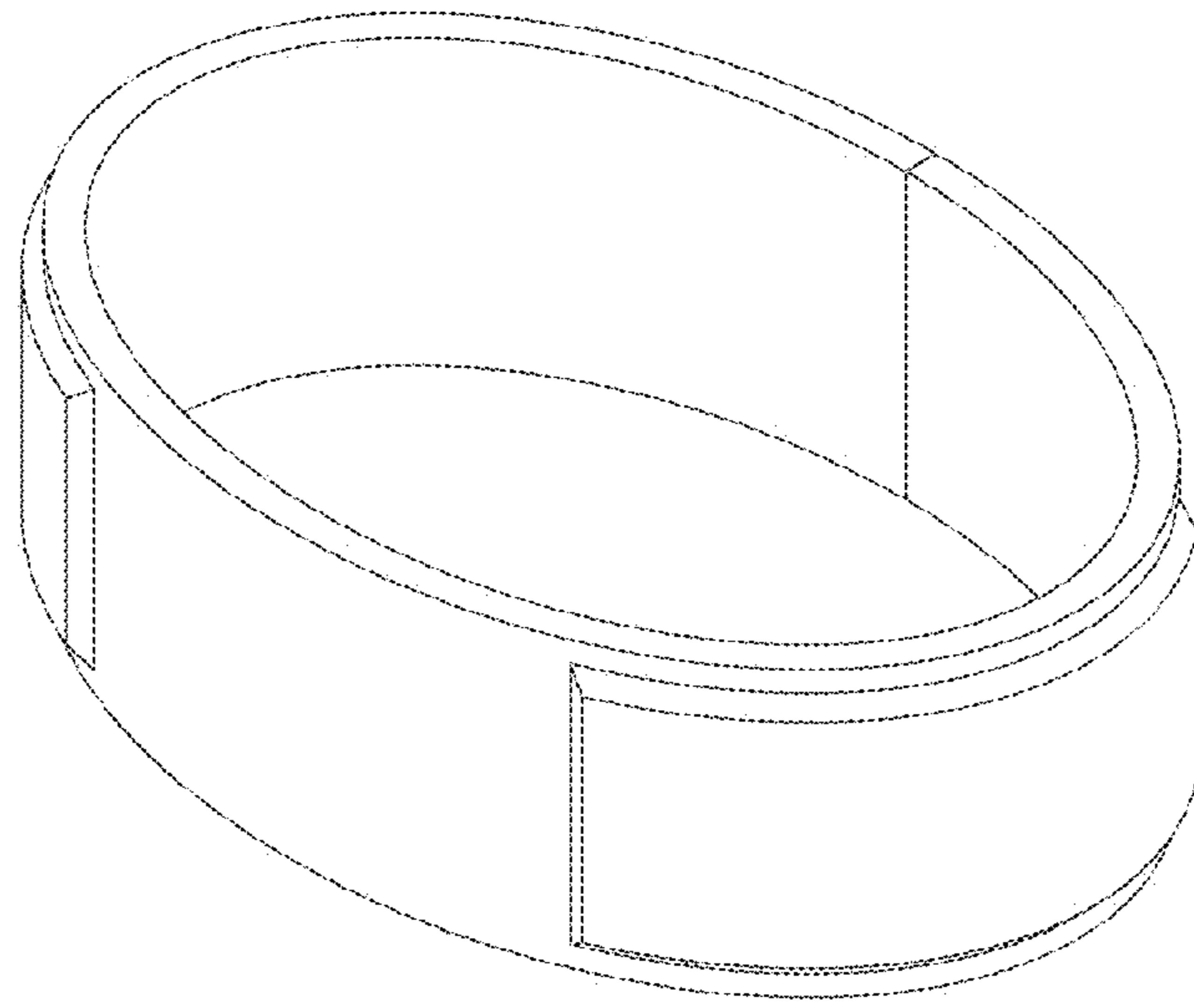


FIG. 7

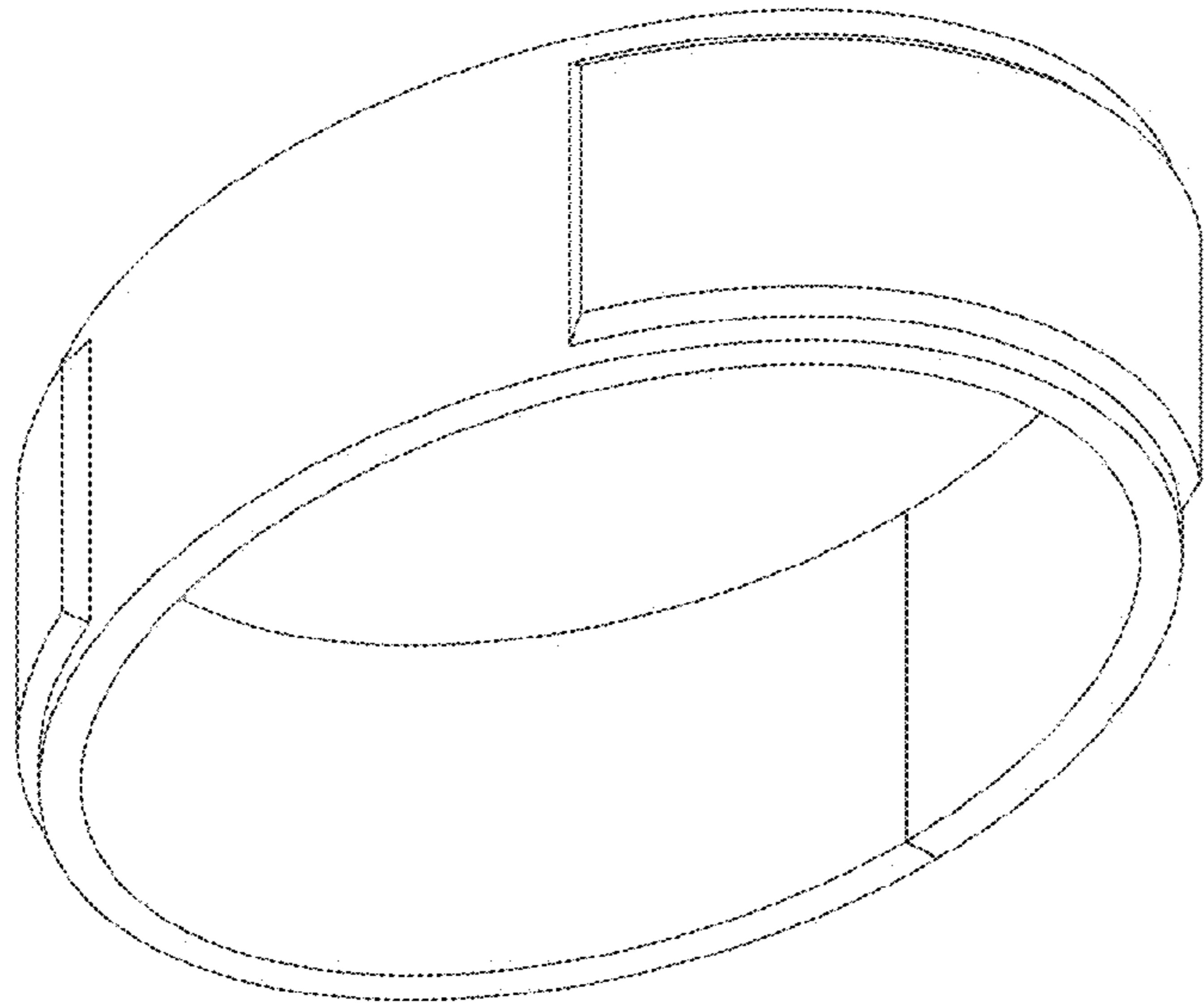


FIG. 8