

US00D750321S

(12) **United States Design Patent**
Chen

(10) **Patent No.:** **US D750,321 S**
(45) **Date of Patent:** **** Feb. 23, 2016**

(54) **SMOKING DEVICE**
(71) Applicant: **Shenzhen Smoore Technology Limited**,
Shenzhen, Guangdong (CN)
(72) Inventor: **Zhiping Chen**, Shenzhen (CN)
(73) Assignee: **SHENZHEN SMOORE**
TECHNOLOGY LIMITED, Shenzhen
(CN)

(**) Term: **14 Years**
(21) Appl. No.: **29/521,699**
(22) Filed: **Mar. 26, 2015**
(51) **LOC (10) Cl.** **27-99**
(52) **U.S. Cl.**
USPC **D27/194**

(58) **Field of Classification Search**
USPC D27/100, 101, 162, 163, 165, 166, 167,
D27/193, 194; D9/451, 452, 537; D24/110;
131/179, 194, 222, 242.6, 260, 273,
131/329, 330, 367
CPC A24F 1/26; A24F 1/30; A24F 3/00;
A24F 47/00; A24F 47/002; A24F 47/008
See application file for complete search history.

(56) **References Cited**
U.S. PATENT DOCUMENTS

D551,798 S * 9/2007 McGuire D27/133
D575,450 S * 8/2008 Jones D27/189

D589,214 S * 3/2009 Johnston D30/131
D604,993 S * 12/2009 Vernes D7/545
D677,427 S * 3/2013 Ross D27/167
D739,175 S * 9/2015 Renforth D30/129

* cited by examiner

Primary Examiner — Rosemary K Tarcza
Assistant Examiner — Christy Nemeth

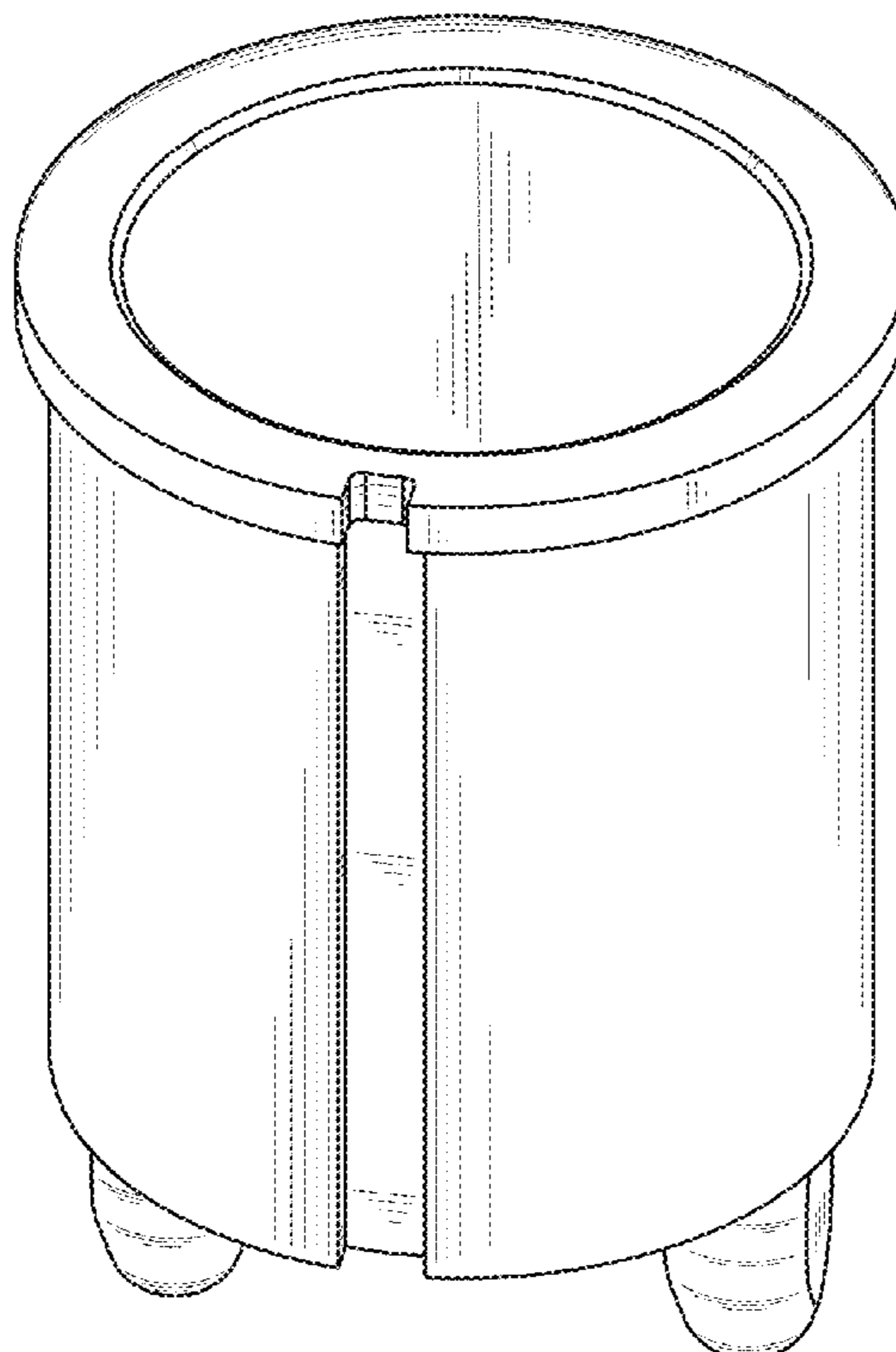
(57) **CLAIM**

The ornamental design for a smoking device, as shown and described.

DESCRIPTION

FIG. 1 is a front elevational view of a smoking device showing my new design;
FIG. 2 is a rear elevational view thereof;
FIG. 3 is a left side view thereof;
FIG. 4 is a top plan view thereof;
FIG. 5 is a bottom plan view thereof;
FIG. 6 is a first perspective view thereof;
FIG. 7 is a second perspective view thereof;
FIG. 8 is a third perspective view thereof; and,
FIG. 9 is a fourth perspective view thereof.

1 Claim, 9 Drawing Sheets



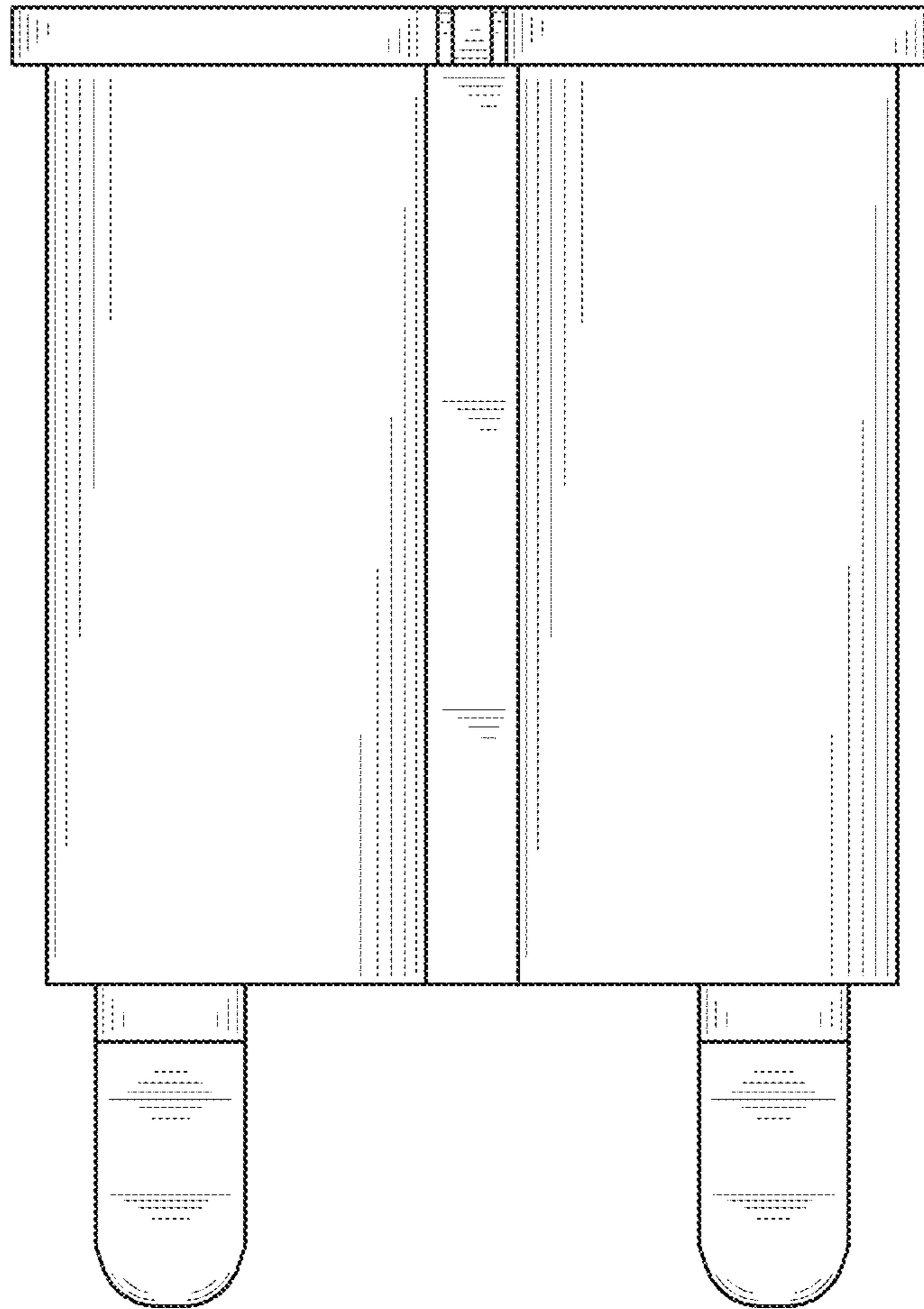


FIG. 1

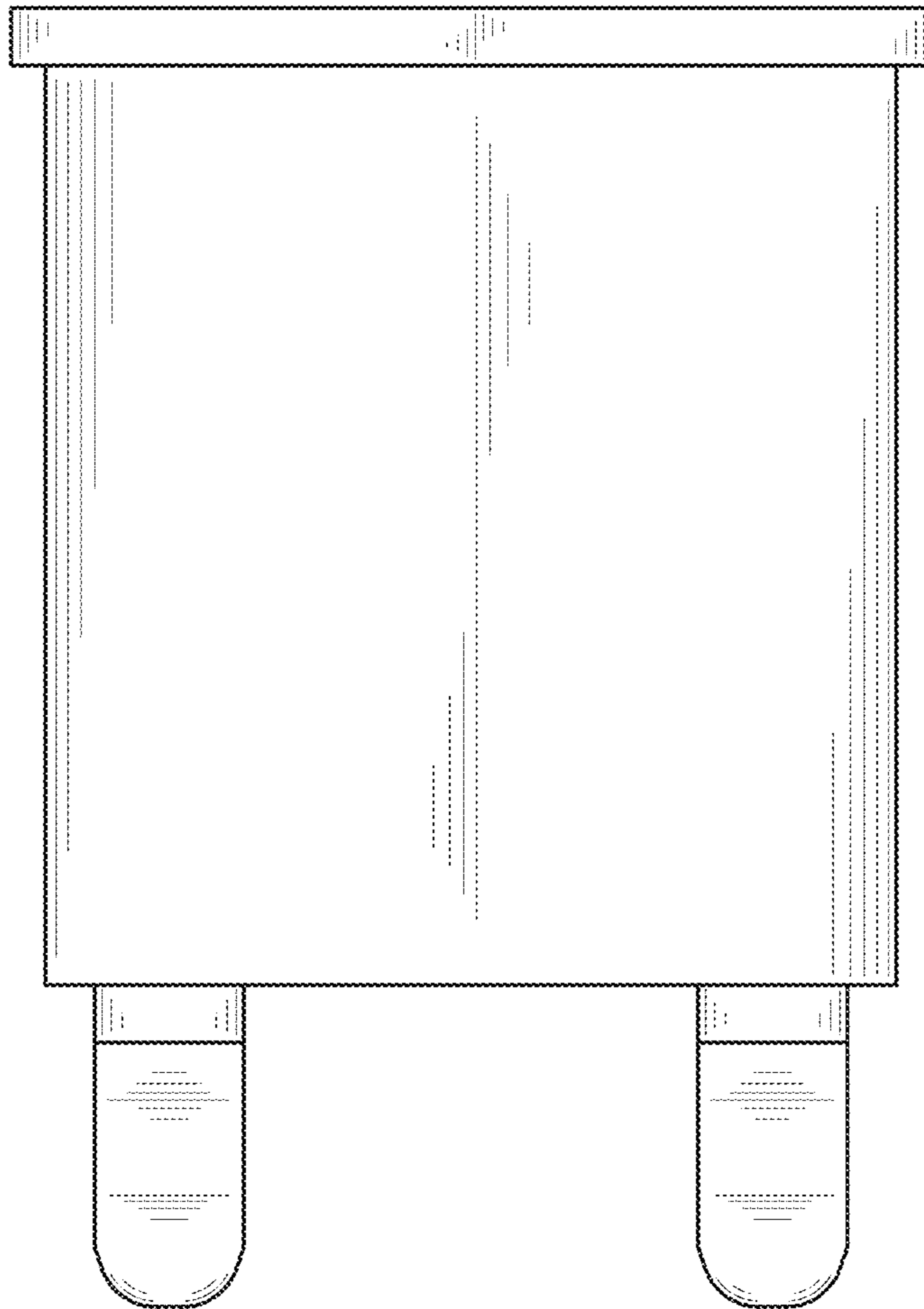


FIG. 2

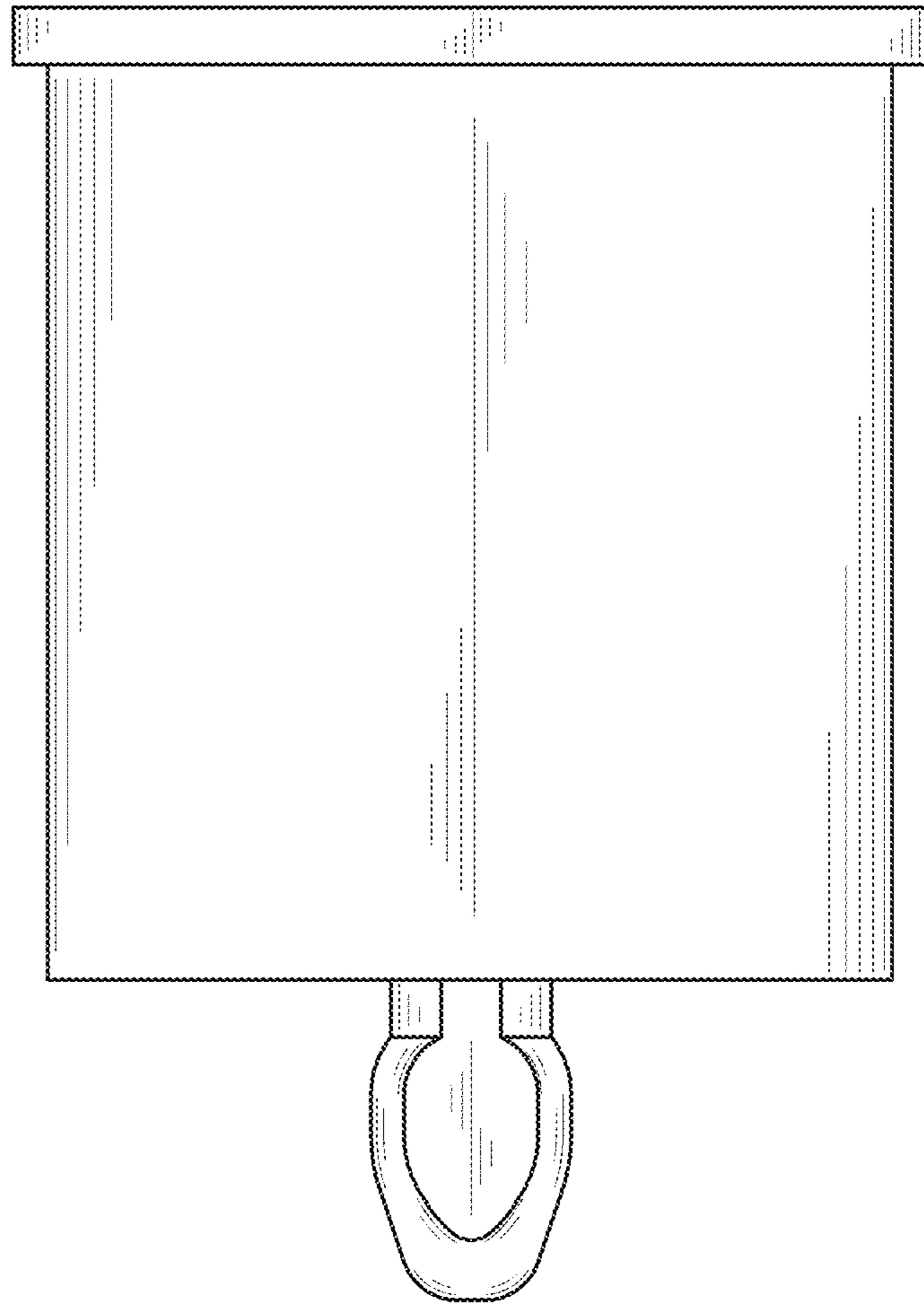


FIG. 3

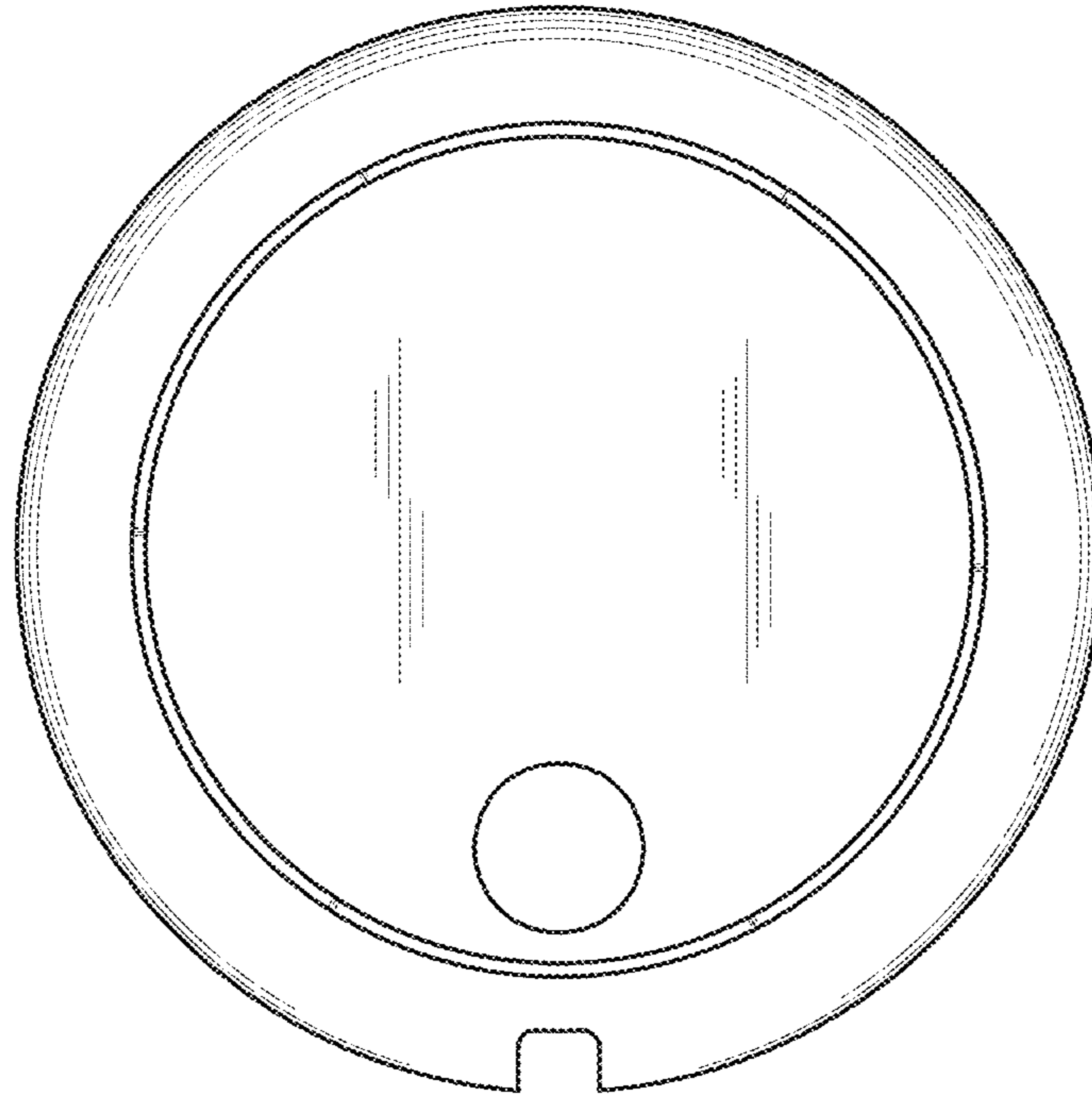


FIG. 4

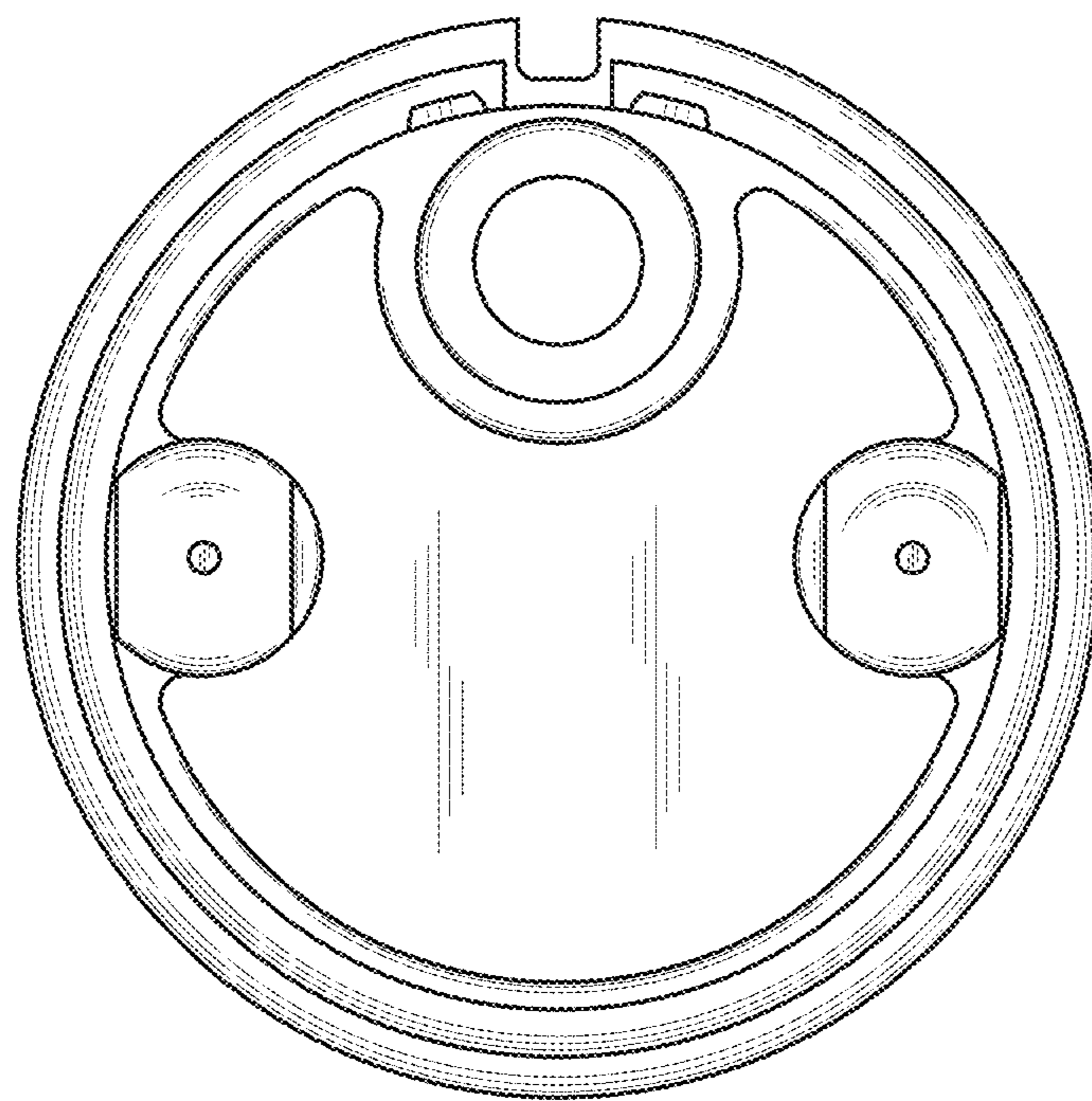


FIG. 5

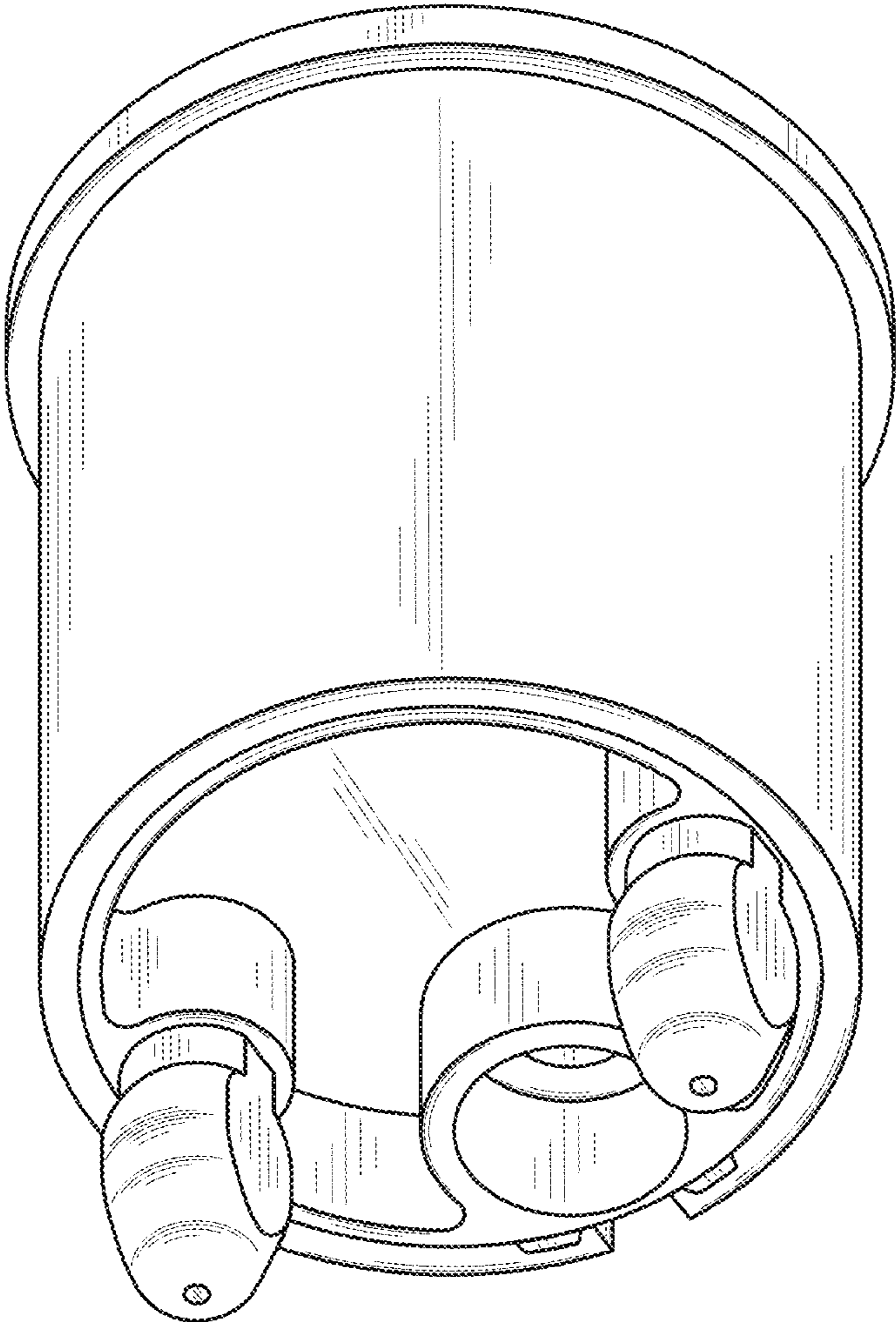


FIG. 6

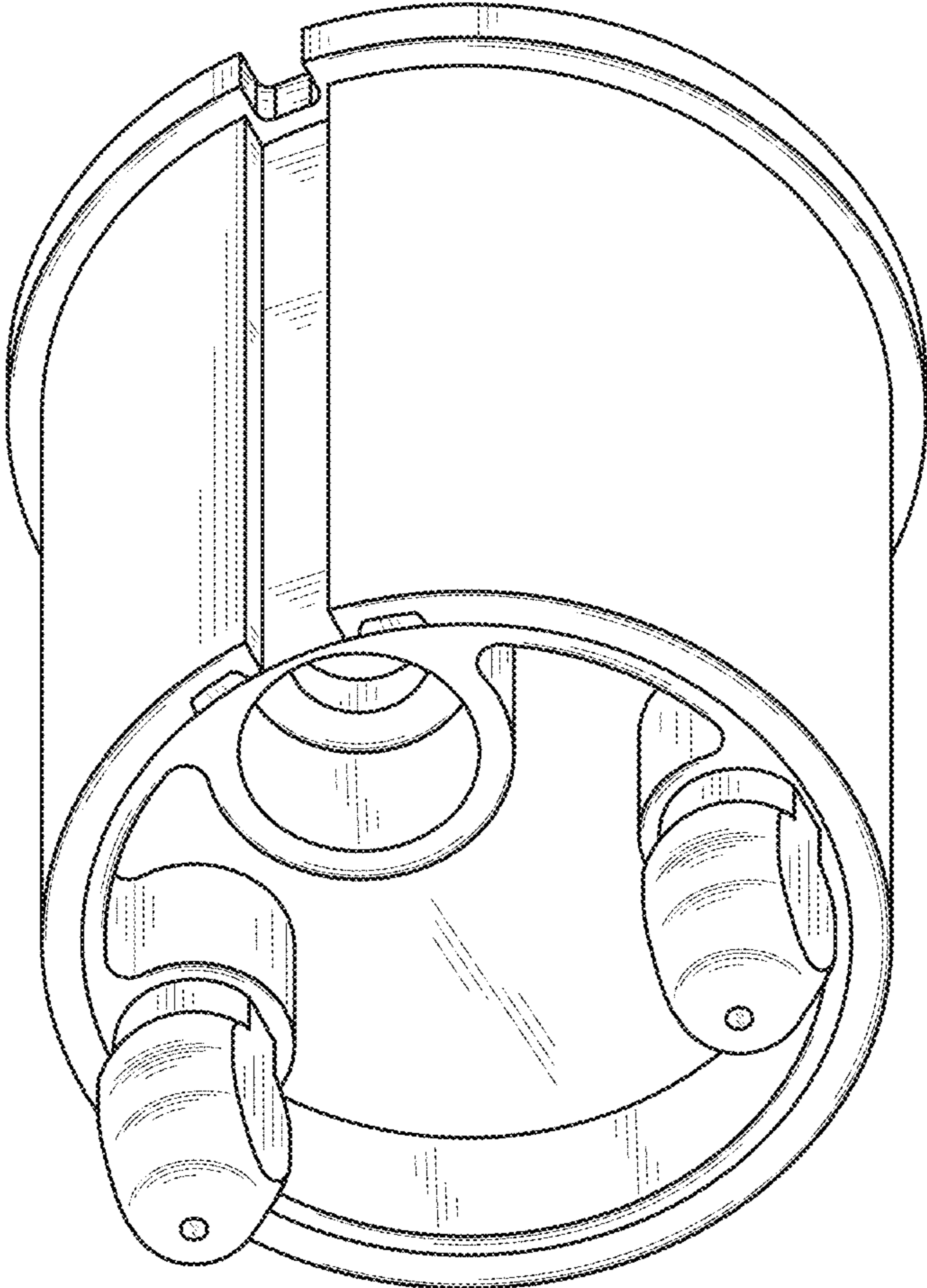


FIG. 7

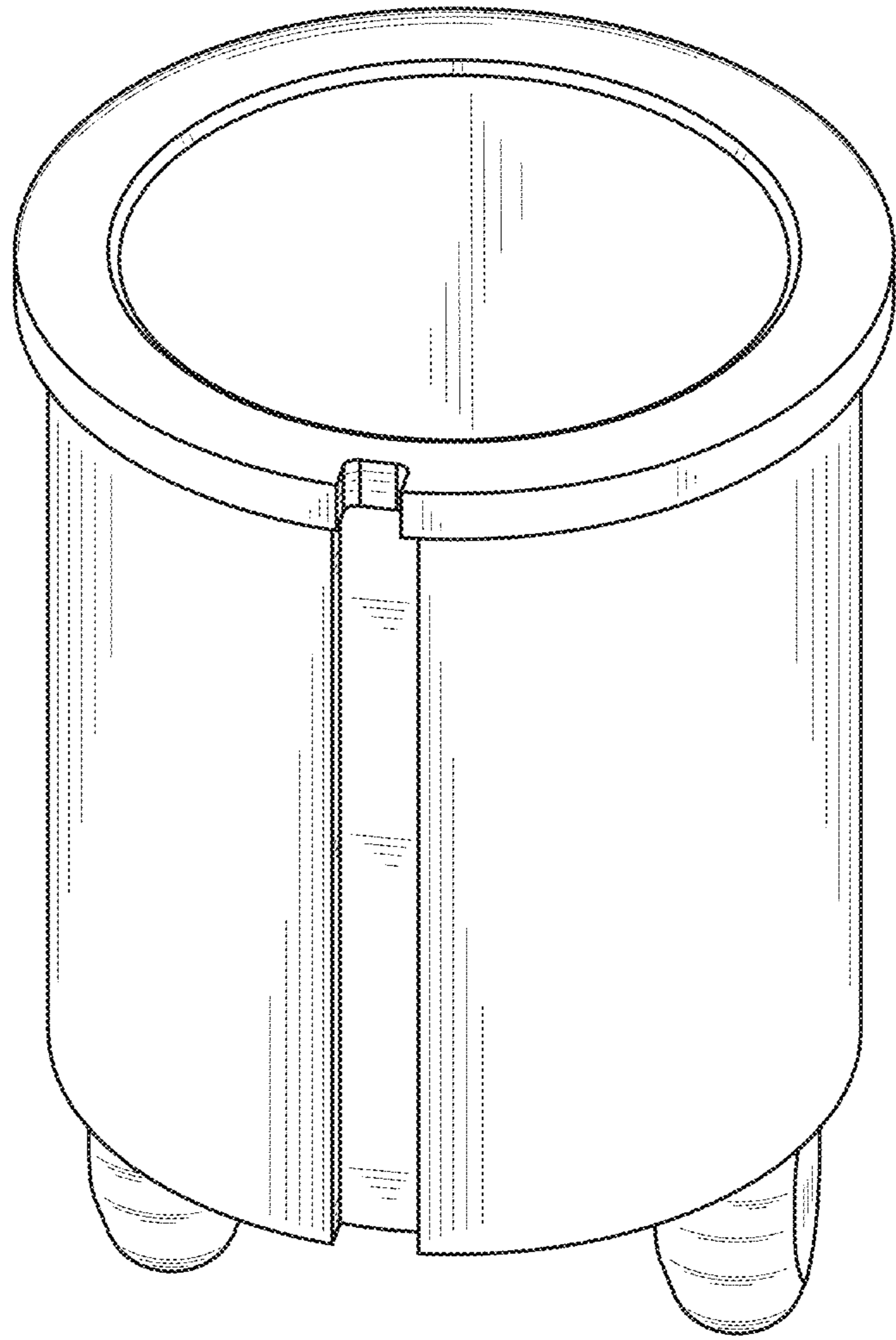


FIG. 8

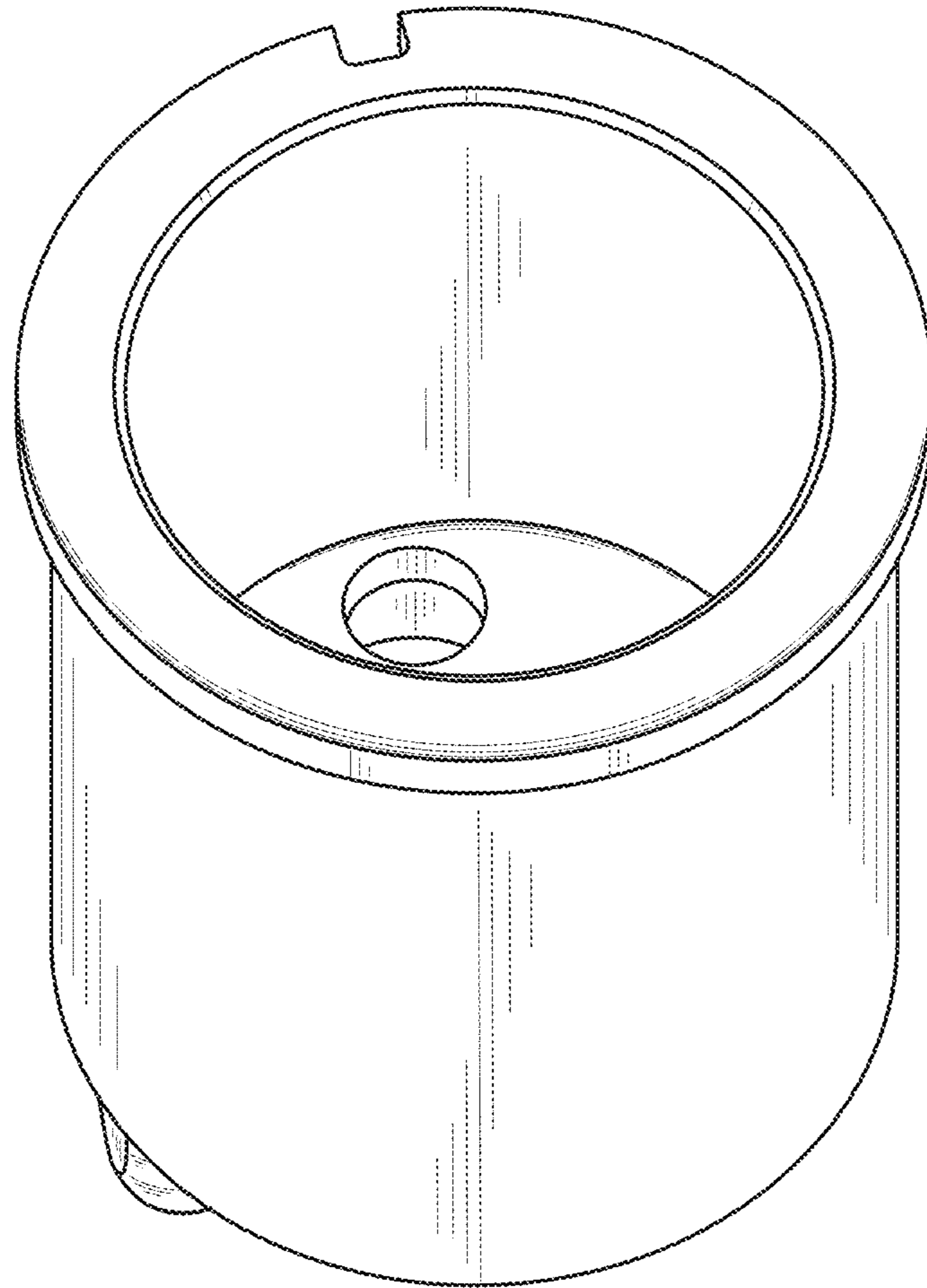


FIG. 9