



US00D750317S

(12) **United States Design Patent**
Lui et al.

(10) **Patent No.:** **US D750,317 S**
(45) **Date of Patent:** **** Feb. 23, 2016**

(54) **BAY LIGHTING FIXTURE**

(71) Applicant: **CREE, INC.**, Durham, NC (US)
(72) Inventors: **Nelson Man Hoi Lui**, Tai Po (HK);
Felix Chi Hoi Mung, Kowloon (HK);
Gauss Ho Ching So, Kowloon (HK);
Alan Hoi Leung Ng, Shatin (HK);
Sandeep Pawar, Elmhurst, IL (US);
Randy Bernard, Cary, NC (US); **Brian Kinnune**, Racine, WI (US); **Vasavi Mandavilli**, Cary, NC (US)

(73) Assignee: **CREE, INC.**, Durham, NC (US)

(**) Term: **14 Years**

(21) Appl. No.: **29/478,149**

(22) Filed: **Dec. 31, 2013**

Related U.S. Application Data

(63) Continuation-in-part of application No. 13/840,887, filed on Mar. 15, 2013.

(51) **LOC (10) Cl.** **26-99**

(52) **U.S. Cl.**
USPC **D26/138**

(58) **Field of Classification Search**

USPC D26/76, 78, 79, 80, 81, 82, 83, 85, 86,
D26/88, 90, 113, 118, 119, 120, 121, 122,
D26/138, 139, 140, 141, 142; 362/23.07,
362/23.09, 23.16, 217.01, 217.02, 217.05,
362/217.08, 217.09, 218, 249.02, 260,
362/311.02, 555, 612, 614, 800
CPC F21S 2/00; F21S 4/00; F21S 4/003;
F21S 4/005; F21S 4/006; F21S 4/007; F21S
4/008; F21S 6/00; F21S 8/00; F21S 8/024;
F21S 8/026; F21S 8/031; F21S 8/033; F21S
8/035-8/037; F21S 8/04; F21S 8/043; F21S
8/063

See application file for complete search history.

(56) **References Cited**

U.S. PATENT DOCUMENTS

4,231,080 A 10/1980 Compton 362/298
5,975,853 A * 11/1999 Lackey 248/343

(Continued)

OTHER PUBLICATIONS

Office Action from U.S. Appl. No. 13/840,887, dated Mar. 4, 2015.

(Continued)

Primary Examiner — George D Kirschbaum

Assistant Examiner — Natasha Vujcic

(74) *Attorney, Agent, or Firm* — Koppel, Patrick, Heybl & Philpott

(57) **CLAIM**

The ornamental design for a bay lighting fixture, as shown and described herein.

DESCRIPTION

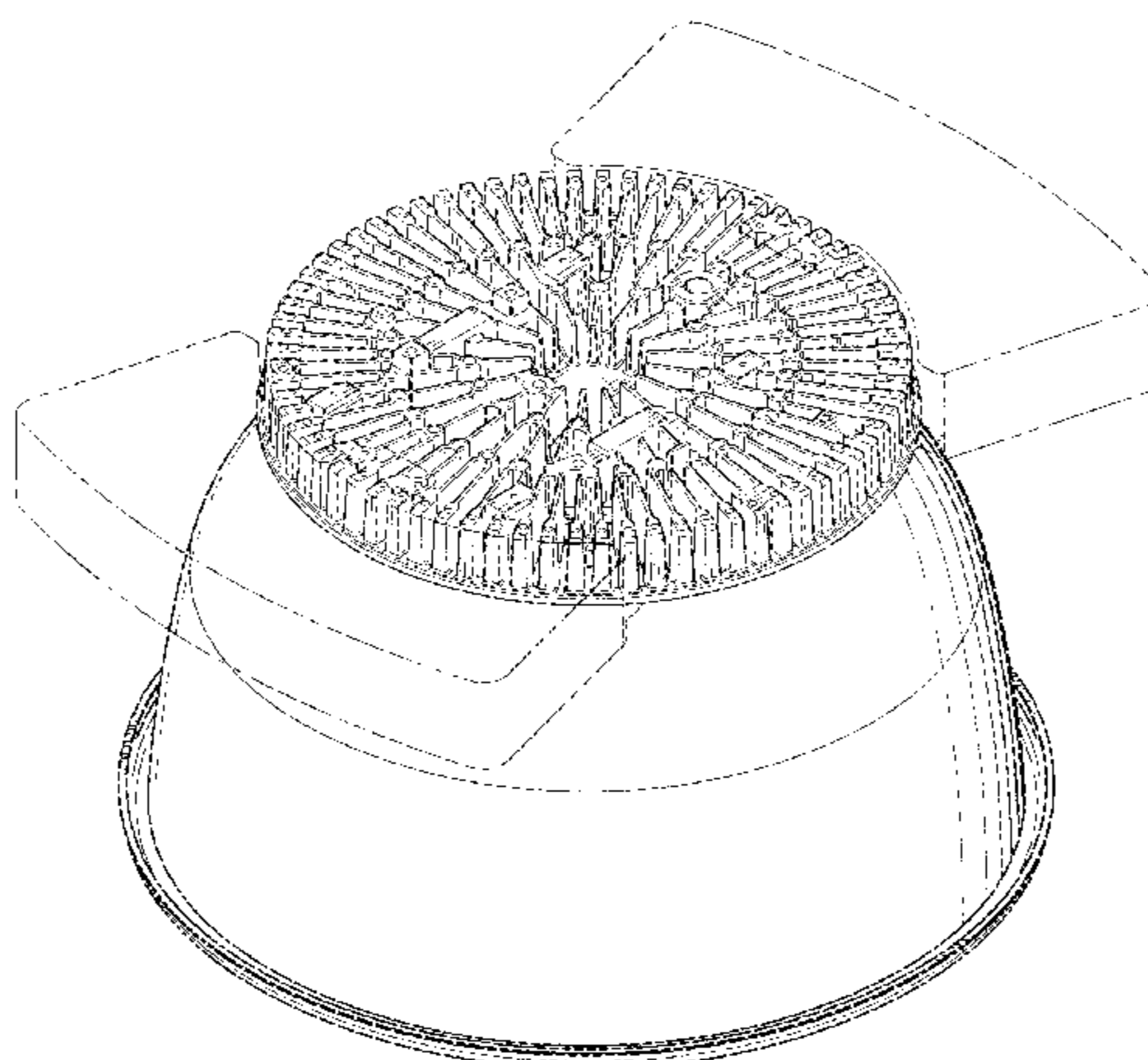
Embodiments of the present invention have similarities to embodiments described in commonly assigned utility application U.S. pat. app. Ser. No. 14/145,355 to Lui et al., entitled “Lighting Fixture with Reflector and Template PCB” and filed concurrently on the same day as the present application. This application, including but not limited to the figures and descriptions thereof disclosed in this application, is fully incorporated by reference herein in its entirety.

Embodiments of the present invention have similarities to embodiments described in commonly assigned utility application U.S. pat. app. Ser. No. 14/145,559 to Lui et al., entitled “Lighting Fixture with Branching Heat Sink and Thermal Path Separation” and filed concurrently on the same day as the present application. This application, including but not limited to the figures and descriptions thereof disclosed in this application, is fully incorporated by reference herein in its entirety.

FIG. 1 is a top perspective view of a bay lighting fixture; FIG. 2 is a bottom perspective view of a bay lighting fixture; FIG. 3 is a top elevation view of a bay lighting fixture; FIG. 4 is a bottom elevation view of a bay lighting fixture; FIG. 5 is a front elevation view of a bay lighting fixture; FIG. 6 is a rear elevation view of a bay lighting fixture; FIG. 7 is a left elevation view of a bay lighting fixture; and, FIG. 8 is a right elevation view of a bay lighting fixture.

The broken lines in the drawings illustrate portions of the bay lighting fixture which form no part of the claimed design.

1 Claim, 7 Drawing Sheets



(56)

References Cited

U.S. PATENT DOCUMENTS

D578,694 S * 10/2008 Zeng et al. D26/70
 D623,338 S * 9/2010 Mo D26/119
 7,794,124 B2 9/2010 Hulsey et al. 362/477
 8,104,929 B2 1/2012 Kovalchick et al. 362/294
 8,186,852 B2 5/2012 Dassanayake et al. .. 362/249.02
 8,388,197 B1 3/2013 Huang et al. 362/273
 8,471,443 B2 6/2013 Choi et al. 313/45
 D688,405 S * 8/2013 Kim et al. D26/72
 D690,453 S * 9/2013 Guercio et al. D26/88
 8,602,579 B2 12/2013 Van de Ven et al. 362/96
 8,602,598 B2 12/2013 Duan et al. 362/294
 D702,867 S * 4/2014 Kim et al. D26/72
 8,692,444 B2 4/2014 Patel et al. 313/46
 8,985,816 B2 * 3/2015 Guercio et al. 362/373
 2010/0328956 A1 * 12/2010 Zhang 362/294
 2011/0110084 A1 5/2011 Moon et al. 362/248
 2012/0300461 A1 11/2012 Lynch et al. 362/249.02
 2013/0039056 A1 2/2013 Cho et al. 362/235
 2014/0254177 A1 * 9/2014 Danesh 362/363
 2014/0268730 A1 * 9/2014 Lui et al. 362/227
 2014/0268750 A1 * 9/2014 Lui et al. 362/235

OTHER PUBLICATIONS

U.S. Appl. No. 13/828,348, filed Mar. 14, 2013, Edmond, et al.
 U.S. Appl. No. 13/834,605, filed Mar. 15, 2013, Lay, et al.

U.S. Appl. No. 13/034,501, filed Feb. 24, 2011, Le, et al.
 U.S. Appl. No. 12/947,267, filed Nov. 16, 2010, Lopez, et al.
 U.S. Appl. No. 12/566,195, filed Sep. 24, 2009, Van de Ven, et al.
 U.S. Appl. No. 12/704,730, filed Feb. 12, 2010, Van de Ven, et al.
 U.S. Appl. No. 13/842,307, filed Mar. 15, 2013, Ibbetson, et al.
 U.S. Appl. No. 13/442,311, filed Apr. 9, 2012, Lu, et al.
 U.S. Appl. No. 13/758,763, filed Feb. 4, 2013, Leung, et al.
 U.S. Appl. No. 13/345,215, filed Jan. 6, 2012, Lu, et al.
 U.S. Appl. No. 14/145,355, filed Dec. 31, 2013, Lui, et al.
 U.S. Appl. No. 13/840,887, filed Mar. 15, 2013, Van de Ven, et al.
 U.S. Appl. No. 13/358,901, filed Jan. 26, 2012, Progl, et al.
 U.S. Appl. No. 13/441,567, filed Apr. 6, 2012, Kinnune, et al.
 Cree® XLamp® CXA2530 LED Product Family Data Sheet, 15 pages.
 Cree® XLamp® CXA2520 LED Product Family Data Sheet, 15 pages.
 “Cree Reflector Leaflet”, Rev. 7 (available at <http://www.nata.cn/images/newsletter/pdf/Cree%20Leaflet%20%28rev-7%29.pdf>, retrieved Dec. 11, 2013).
 “Optimizing PCB Thermal Performance for Cree® XLamp® LEDs” (available at http://www.cree.com/xlamp_app_notes/PCB_Thermal).
 Office Action from U.S. Appl. No. 13/840,887, dated Sep. 18, 2015.
 Response to OA from U.S. Appl. No. 13/840,887, filed Nov. 6, 2015.

* cited by examiner

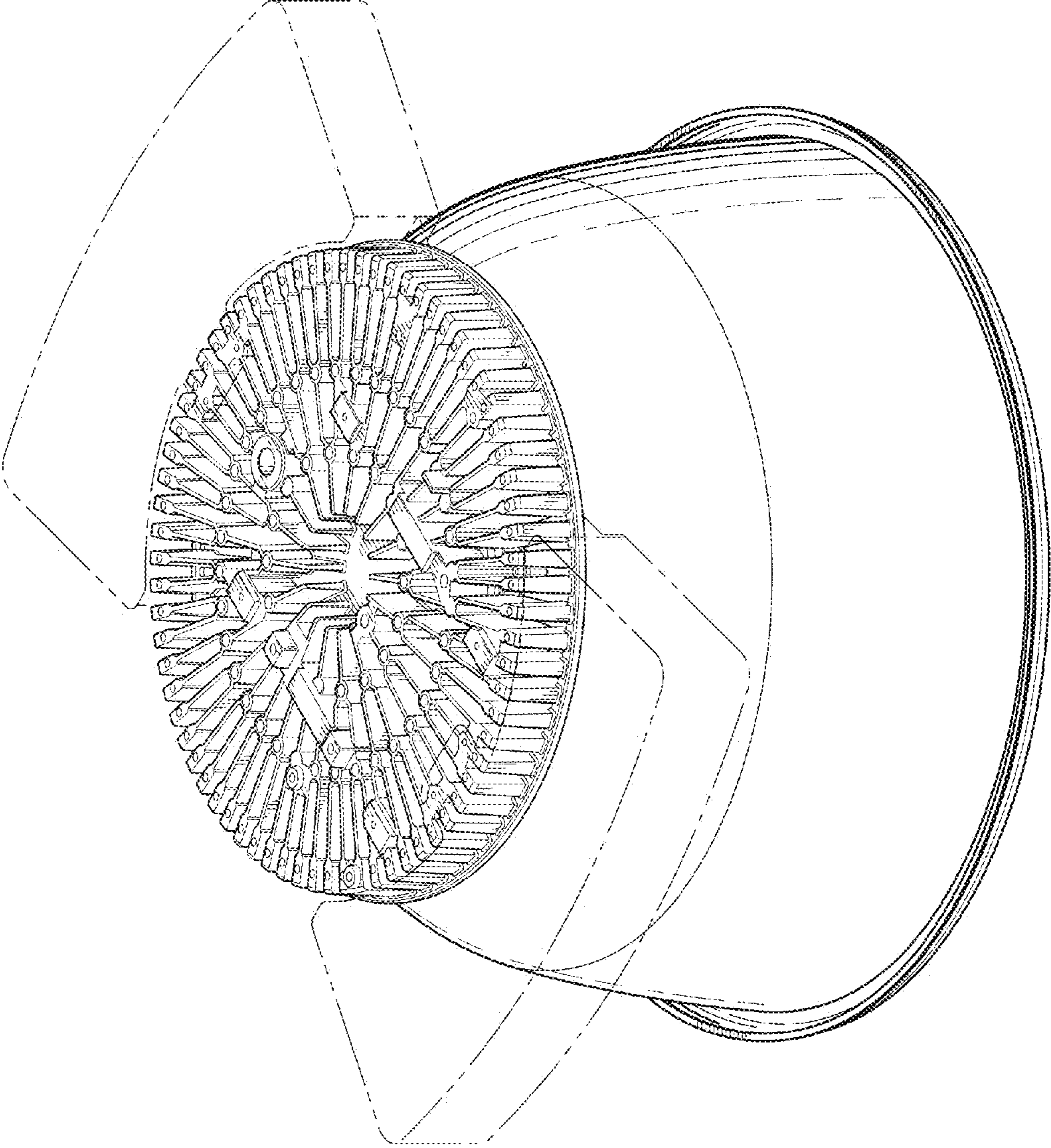


FIG 1

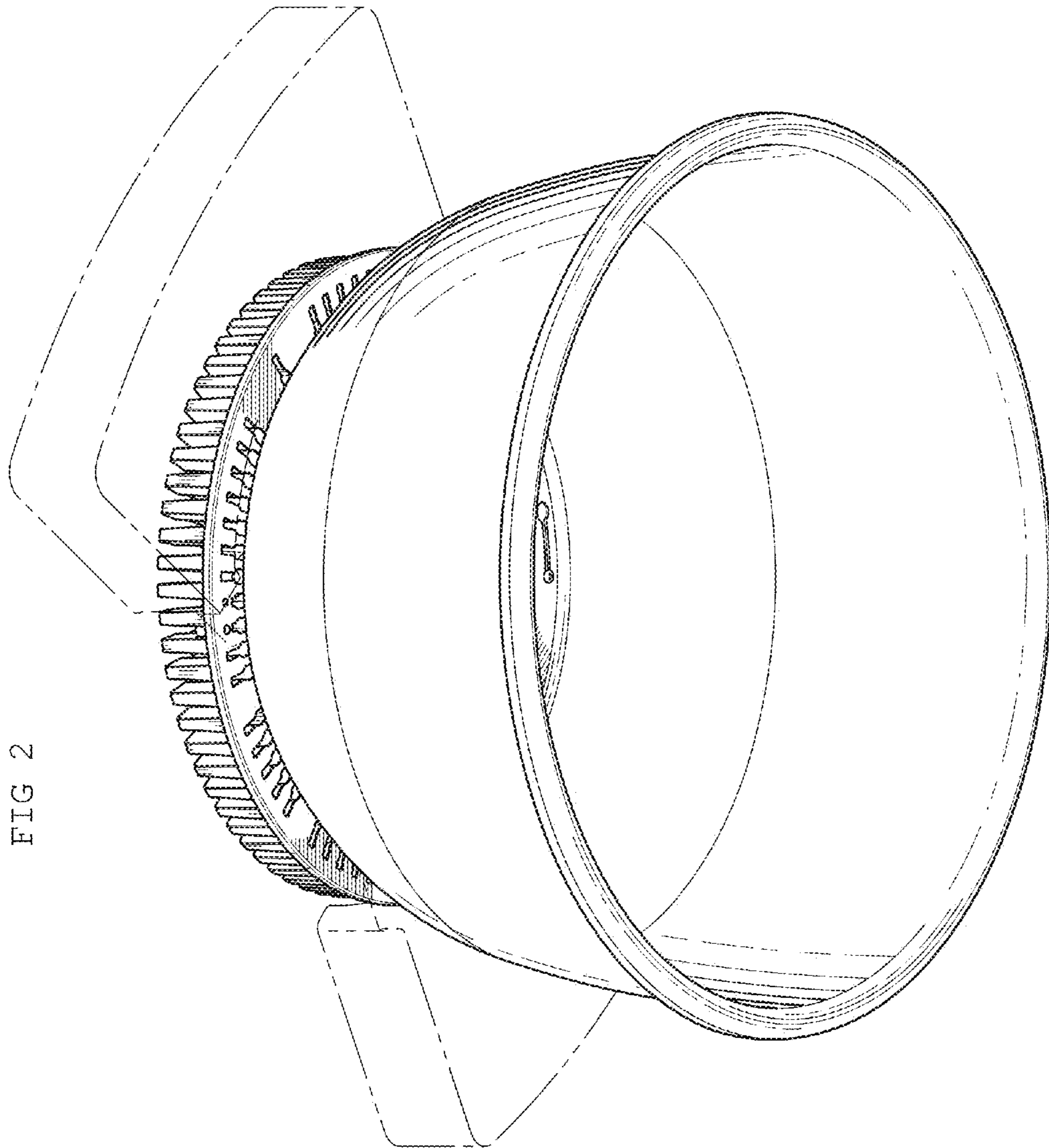


FIG 2

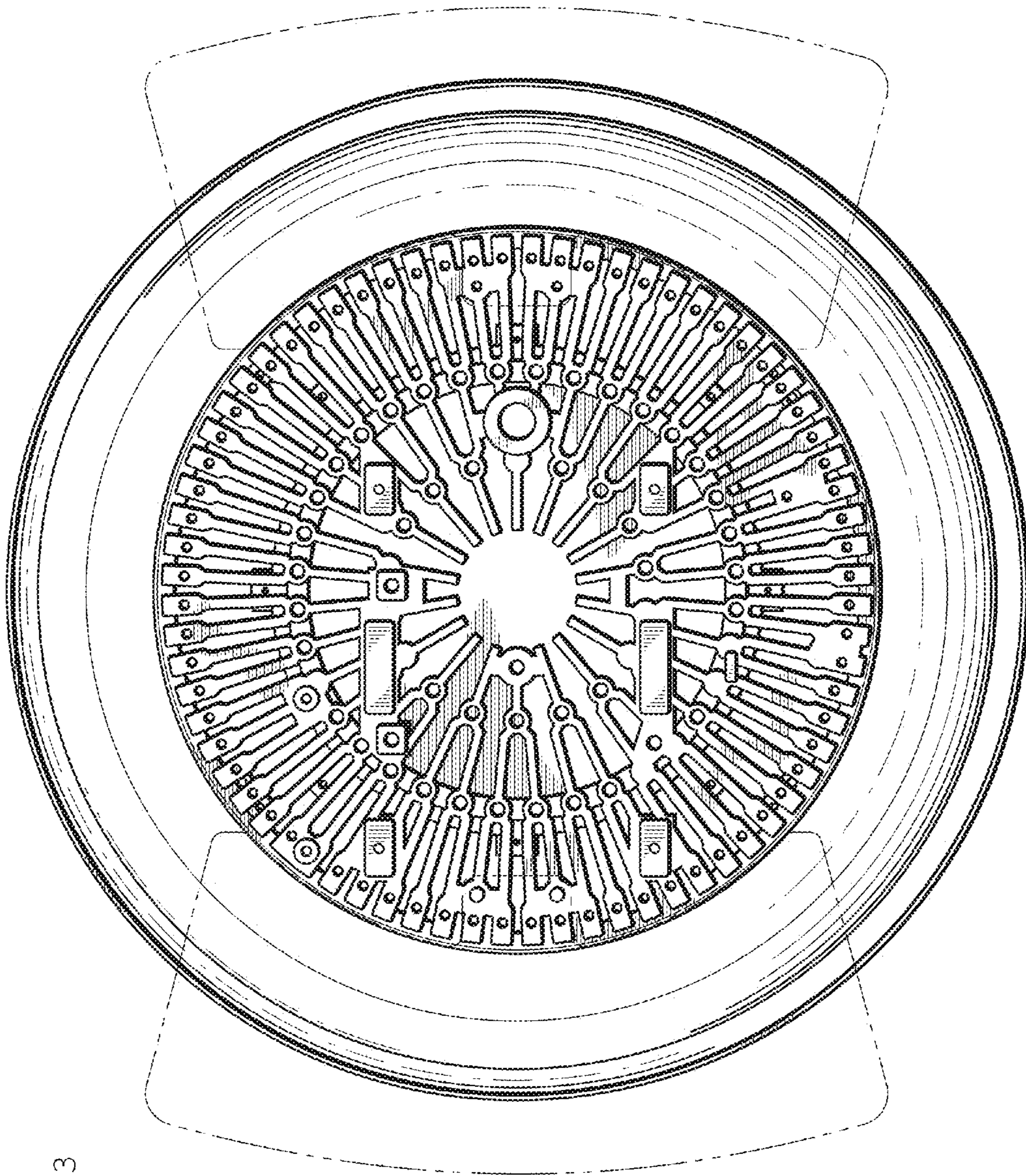


FIG. 3

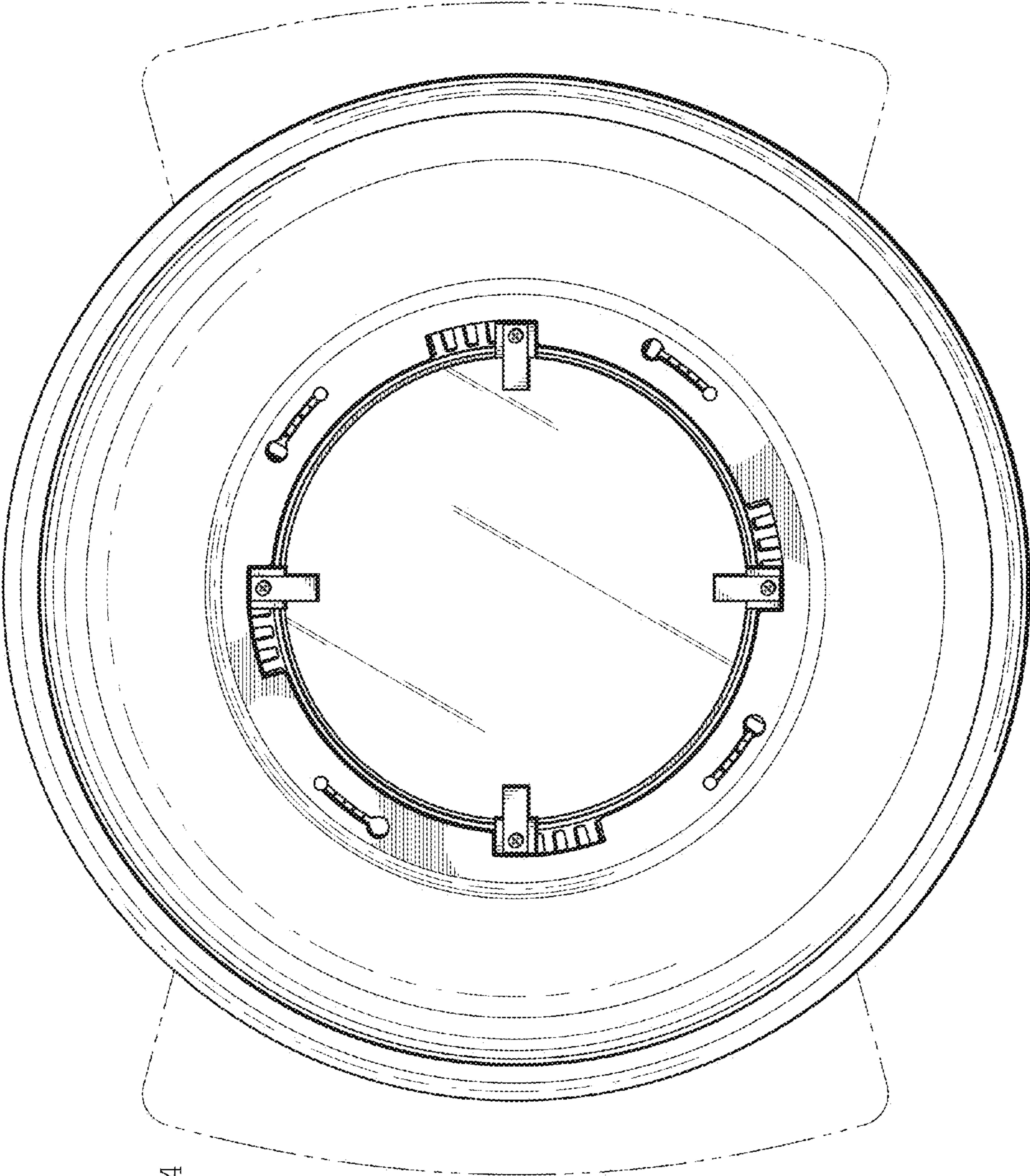


FIG. 4

FIG. 5

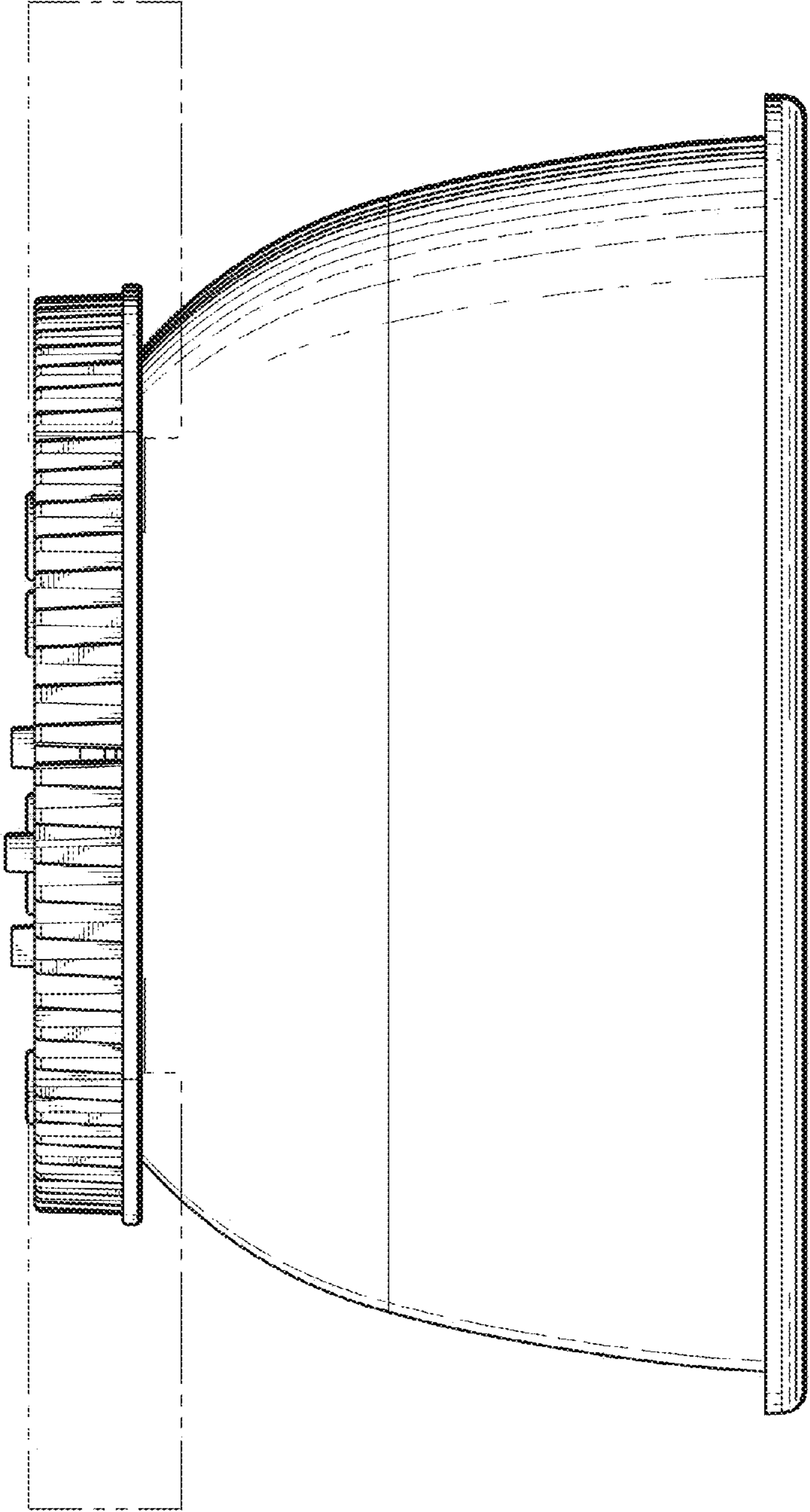


FIG. 6

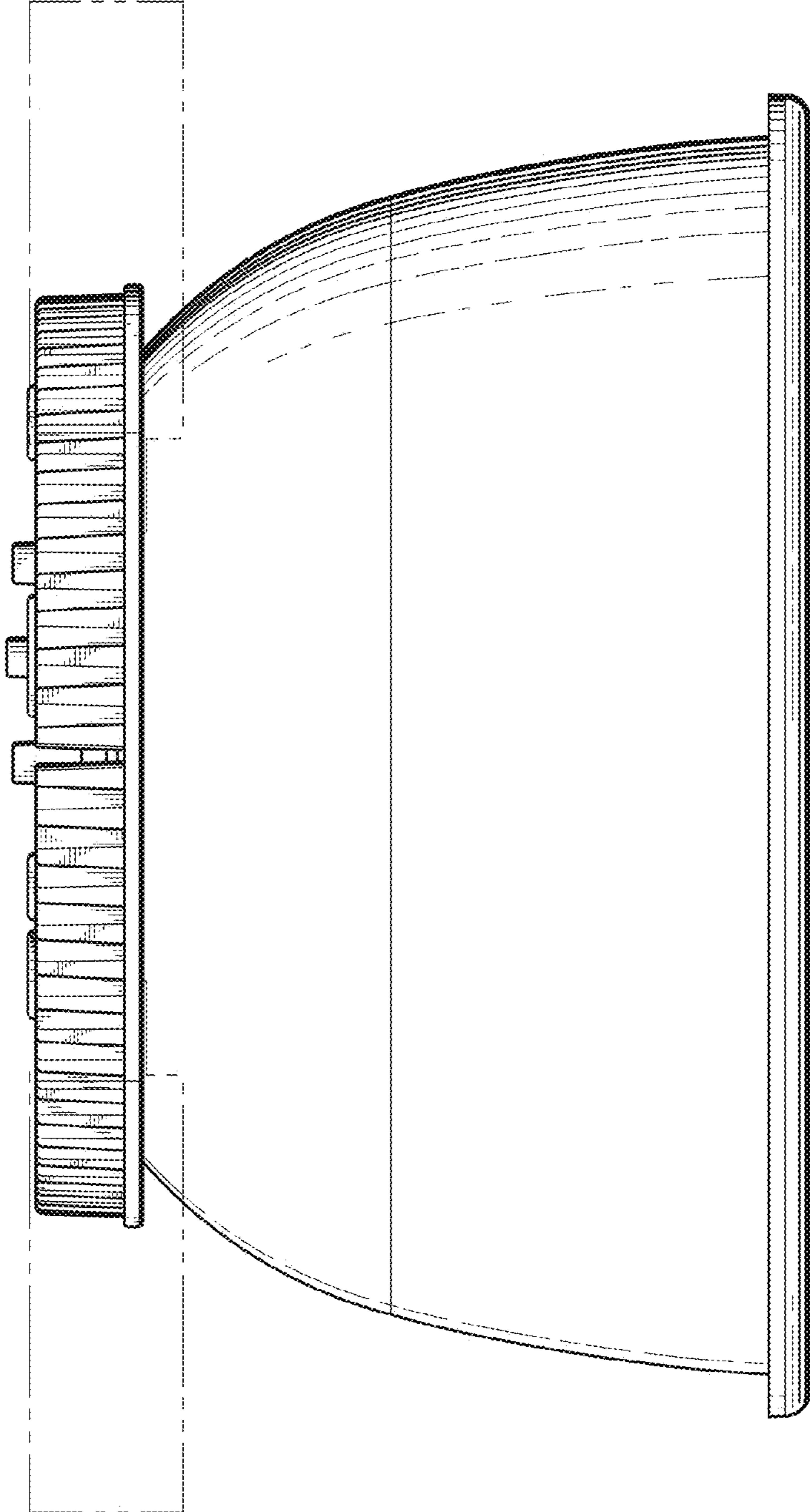


FIG. 7

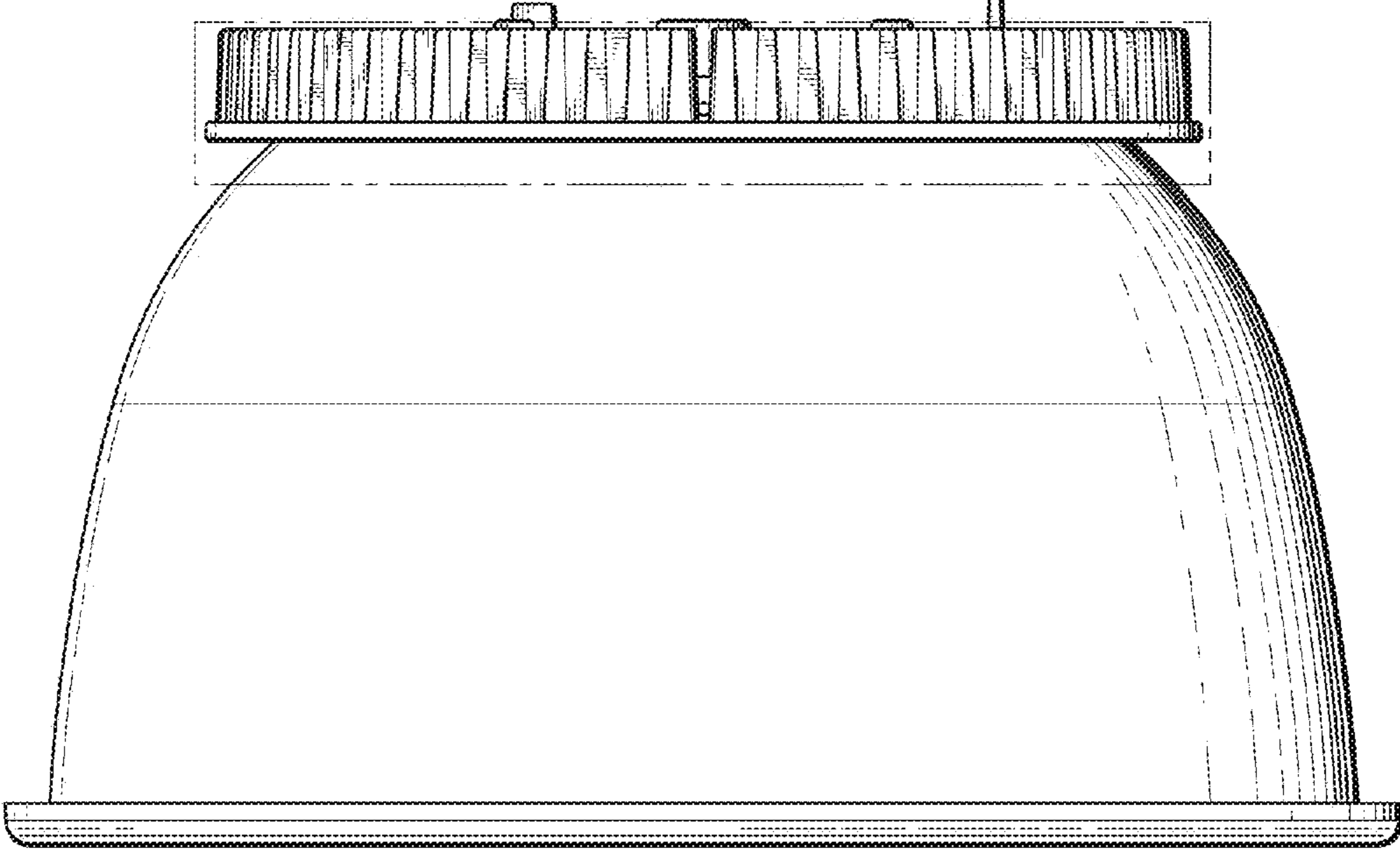


FIG. 8

