



US00D750316S

(12) **United States Design Patent**
Reynolds

(10) **Patent No.:** **US D750,316 S**
(45) **Date of Patent:** **** Feb. 23, 2016**

(54) **HORTICULTURE GROW LIGHT REFLECTOR**

- (71) Applicant: **IP Holdings, LLC**, Vancouver, WA (US)
- (72) Inventor: **Christopher Reynolds**, Vancouver, WA (US)
- (73) Assignee: **IP Holdings, LLC**, Vancouver, WA (US)
- (**) Term: **15 Years**
- (21) Appl. No.: **29/534,985**
- (22) Filed: **Aug. 3, 2015**

Related U.S. Application Data

- (63) Continuation of application No. 29/534,411, filed on Jul. 28, 2015, which is a continuation of application No. 29/478,005, filed on Dec. 30, 2013, now Pat. No. Des. 736,450, which is a continuation of application No. 29/451,028, filed on Mar. 27, 2013, now Pat. No. Des. 698,986.
- (51) **LOC (10) Cl.** **26-99**
- (52) **U.S. Cl.**
USPC **D26/118**
- (58) **Field of Classification Search**
USPC D10/18, 21, 24, 25, 27, 28, 46, 93, 104, D10/106, 113, 116.1, 121; D26/72, 113, D26/120, 124, 138
CPC A63H 30/04; G05G 2009/04748; H04B 1/1027; F21S 8/04; F21S 2/005; F21S 2/00; B29D 21/04; F21V 15/015; F21V 27/00; F21V 21/14; F21V 21/005; F21Y 2103/00

See application file for complete search history.

(56) **References Cited**

U.S. PATENT DOCUMENTS

- 2,741,694 A * 4/1956 Wiig F21V 3/02 362/332
- 3,272,978 A * 9/1966 Jackson F21S 8/06 174/535
- 3,560,729 A * 2/1971 Liberman F21V 33/0088 362/241
- 4,175,360 A * 11/1979 Mulvey E04B 9/0428 362/148
- D261,437 S * 10/1981 Stekelberg D26/87
- 4,531,180 A * 7/1985 Hernandez F21V 11/00 362/297
- D300,877 S * 4/1989 Cyr D26/118
- D348,950 S * 7/1994 Herst D26/76
- D349,358 S * 8/1994 Herst D26/76
- D421,146 S * 2/2000 Poulton D26/76
- D447,272 S * 8/2001 Smith D26/118
- D496,121 S * 9/2004 Santoro D26/74
- D543,652 S * 5/2007 Hargreaves D26/118
- D544,136 S * 6/2007 Hargreaves D26/118
- D544,138 S * 6/2007 Hargreaves D26/118

(Continued)

OTHER PUBLICATIONS

Snap-on Grow Light Reflector, image post date Sep. 1, 2014, site visited Sep. 25, 2015, (online), <<https://www.1000bulbs.com/product/88832/SUN-904313.html>>.*

Primary Examiner — Kevin Rudzinski
Assistant Examiner — Sean D Lough
(74) *Attorney, Agent, or Firm* — J. Douglas Wells

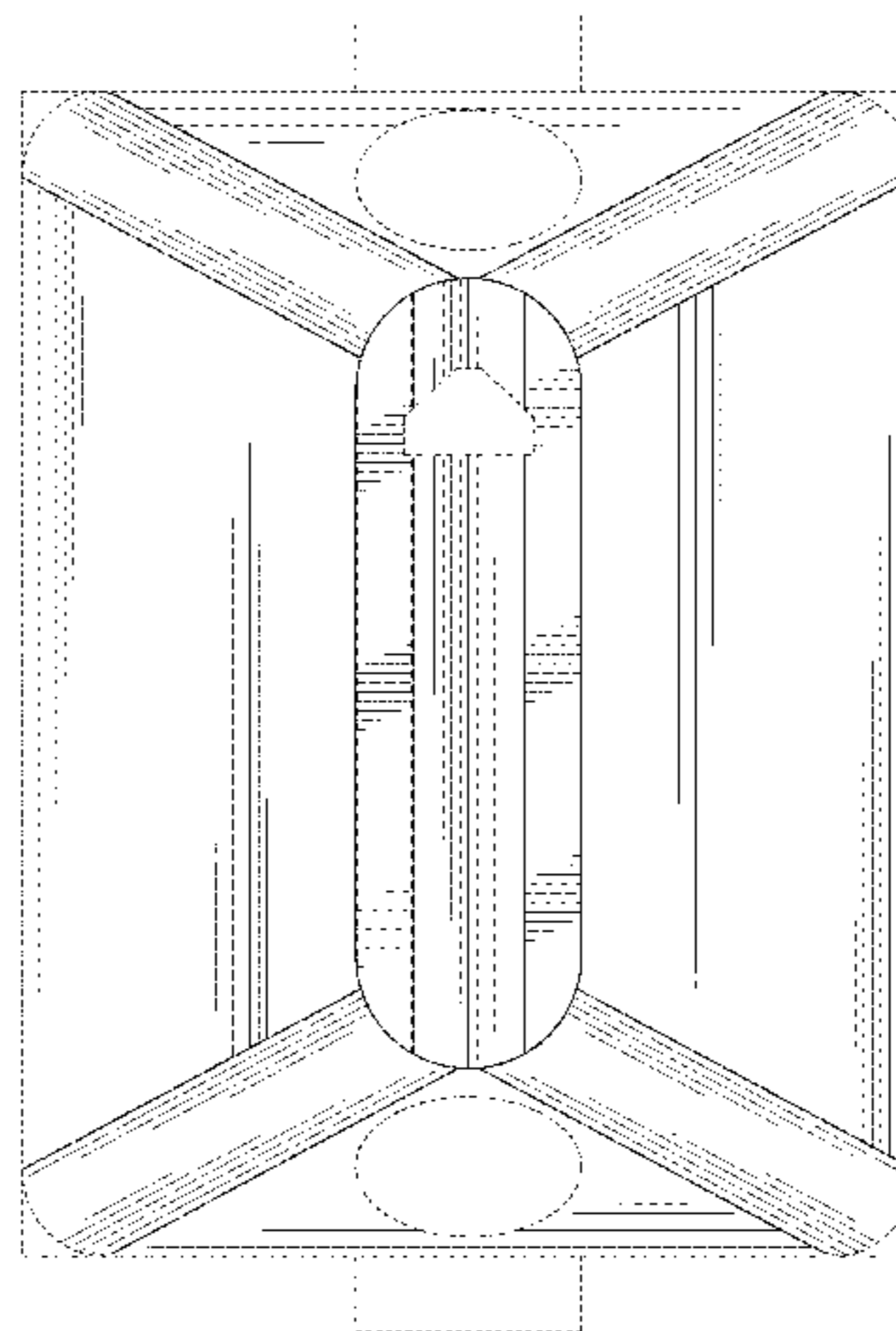
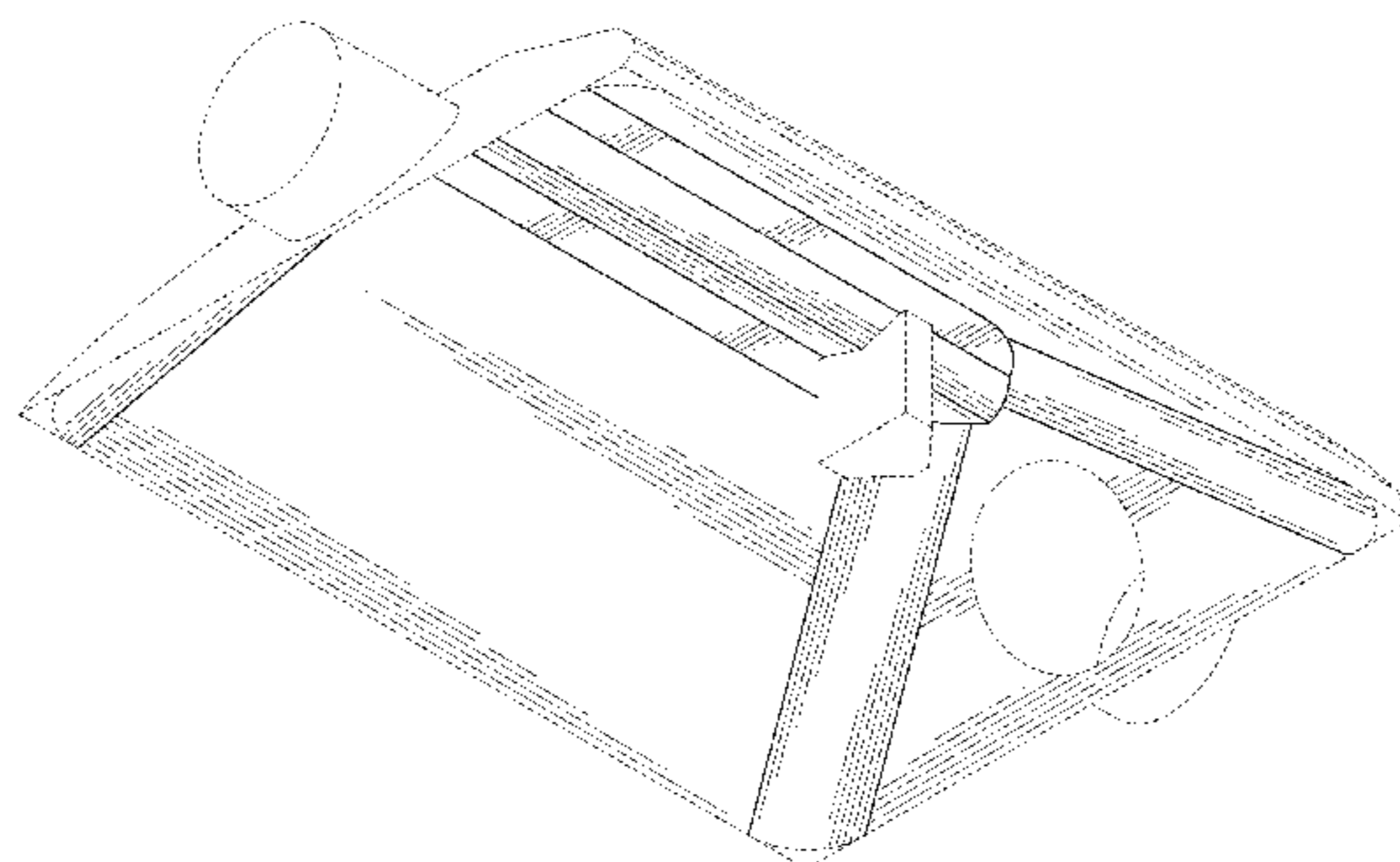
(57) **CLAIM**

The ornamental design for the horticulture grow light reflector, as shown and described.

DESCRIPTION

FIG. 1 is a perspective view of a horticulture grow light reflector, as viewed from below, showing my new design; and, FIG. 2 is a bottom plan view of the horticulture grow light reflector shown in FIG. 1. The broken-line disclosure shown in the views is understood to represent portions of the article in which the claimed design is embodied, but which form no part of the claimed design.

1 Claim, 2 Drawing Sheets



(56)

References Cited

U.S. PATENT DOCUMENTS

D544,985 S *	6/2007	Hargreaves	D26/76	8,348,481 B2 *	1/2013	Chang	F21S 8/04 362/147
D545,996 S *	7/2007	Hargreaves	D26/118	D698,986 S *	2/2014	Reynolds	D26/118
D634,060 S *	3/2011	Wardenburg	D26/118	D699,386 S *	2/2014	Park	D26/118
D634,468 S *	3/2011	Hargreaves	D26/118	D705,419 S *	5/2014	Leonard	D23/373
D637,162 S *	5/2011	Bridgman	D13/152	9,016,907 B2 *	4/2015	Stanley	A01G 7/045 362/373
D637,341 S *	5/2011	Wardenburg	D26/118	D732,233 S *	6/2015	Reynolds	D26/118
7,959,331 B2 *	6/2011	Ho	F21V 15/01 362/249.02	D732,235 S *	6/2015	Reynolds	D26/118
8,038,318 B2 *	10/2011	Plunk	F21S 8/02 362/217.11	D732,236 S *	6/2015	Reynolds	D26/118
8,128,256 B2 *	3/2012	Kim	F21S 8/026 362/235	9,052,083 B2 *	6/2015	Stein	B60Q 1/2611
8,322,011 B2 *	12/2012	Hargreaves	A01G 7/045 29/428	2012/0092859 A1 *	4/2012	Gregoris	F21V 7/0033 362/217.06
D675,369 S *	1/2013	Michaud	D26/118	2013/0083539 A1 *	4/2013	Dimitriadis	F21V 7/00 362/297
					2013/0250567 A1 *	9/2013	Edmond	F21V 29/006 362/231

* cited by examiner

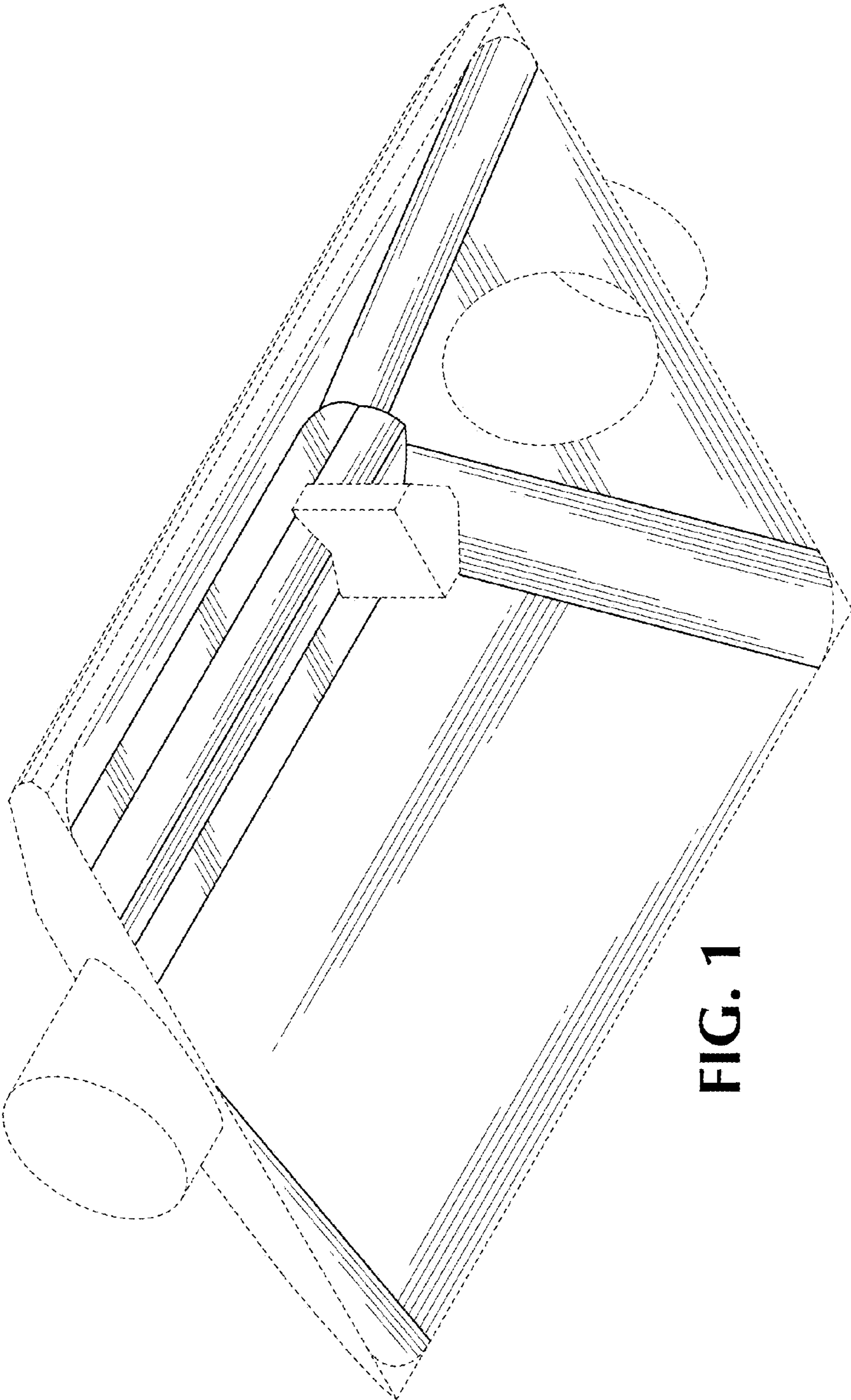


FIG. 1

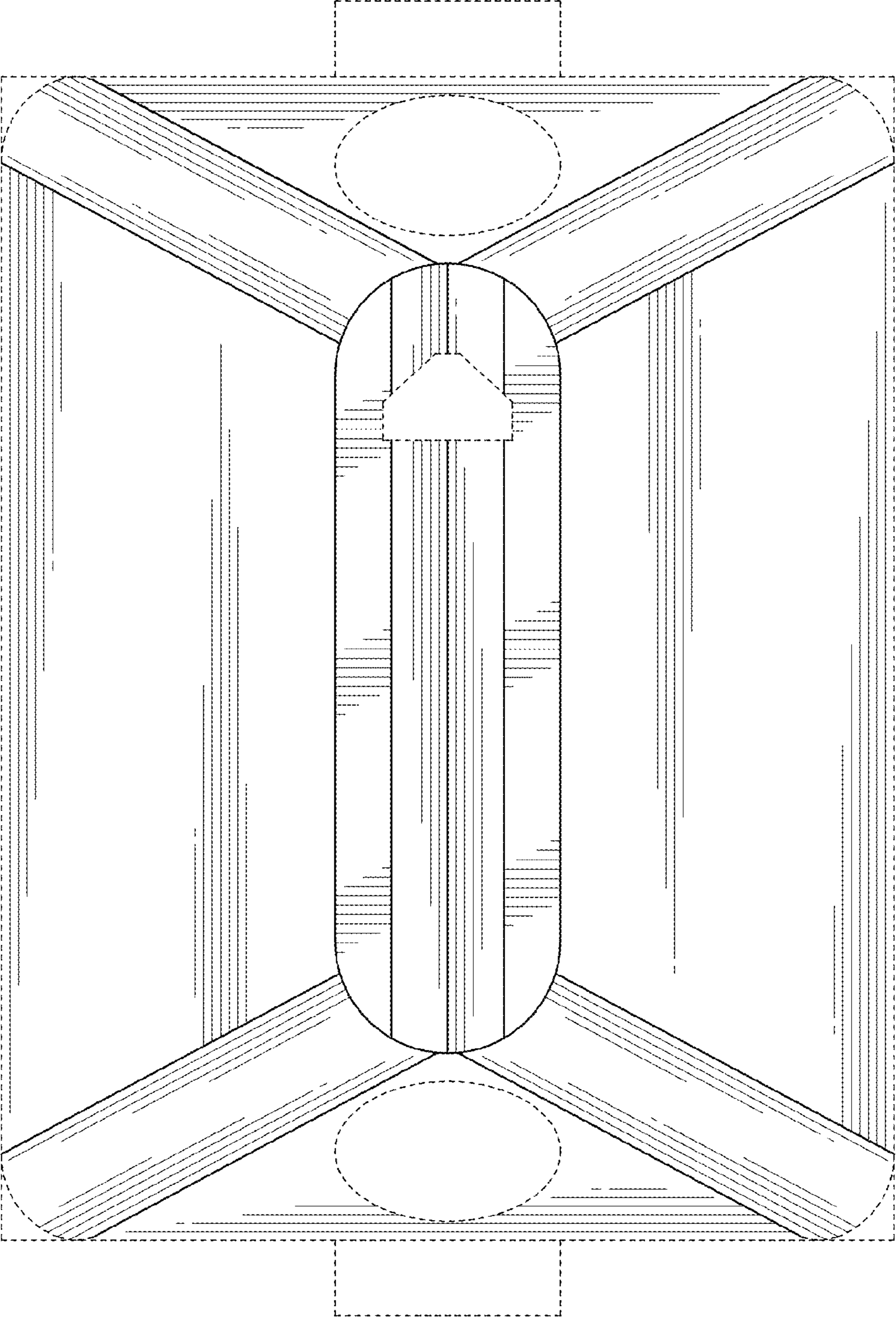


FIG. 2