



US00D750315S

(12) **United States Design Patent**
Yao et al.

(10) **Patent No.:** **US D750,315 S**
(45) **Date of Patent:** **** Feb. 23, 2016**

(54) **LENS FOR LIGHTING MODULE**

- (71) Applicant: **EPISTAR CORPORATION**, Hsinchu (TW)
- (72) Inventors: **Chiu-Lin Yao**, Hsinchu (TW); **Ming-chi Hsu**, Hsinchu (TW); **Been-Yu Liaw**, Hsinchu (TW)
- (73) Assignee: **Epistar Corporation**, Hsinchu (TW)
- (**) Term: **14 Years**
- (21) Appl. No.: **29/518,630**
- (22) Filed: **Feb. 25, 2015**

Related U.S. Application Data

- (63) Continuation of application No. 29/423,033, filed on May 25, 2012, now Pat. No. Des. 725,818.

(30) **Foreign Application Priority Data**

- Dec. 30, 2011 (TW) 100307269
- Dec. 30, 2011 (TW) 100307270

- (51) **LOC (10) Cl.** **26-99**

- (52) **U.S. Cl.**
USPC **D26/118**

(58) **Field of Classification Search**

- USPC D26/51, 56, 57, 61, 72-91, 92-102, D26/108, 109, 113, 118, 124; 362/3, 11, 12, 362/16, 145, 147-150, 217.01-217.12, 257, 362/291, 296.01, 308, 317, 327, 328, 335, 362/362-368, 455, 558, 563, 564, 576, 362/805-809, 811; D14/172, 184, 195, D14/204; D11/131, 142-144, 151-154
- CPC F21V 13/04; F21V 5/04; F21V 7/0091; F21V 7/00; F21V 7/04; F21V 7/041; F21V 3/00; F21V 19/00

See application file for complete search history.

(56) **References Cited**

U.S. PATENT DOCUMENTS

D226,279	S	*	2/1973	Eyerly	D11/143
D402,989	S		12/1998	Church et al.		
D456,307	S	*	4/2002	Fan	D11/152
D460,021	S	*	7/2002	Fan	D11/152
D460,717	S	*	7/2002	Fan	D11/152
D483,740	S	*	12/2003	Yim	D14/216
6,724,543	B1		4/2004	Chinniah et al.		
D495,822	S		9/2004	Yoneda		
D502,168	S		2/2005	Hill		
D540,972	S		4/2007	Tortel		
D549,813	S	*	8/2007	Gajewski	D26/59
D549,866	S	*	8/2007	Pan	D26/89
7,370,994	B2		5/2008	Li		
D601,295	S	*	9/2009	Brown	D26/118
D610,127	S		2/2010	Daniele		
D621,089	S	*	8/2010	Rashidi	D26/118

(Continued)

Primary Examiner — Cynthia Ramirez

Assistant Examiner — Llorellys Martinez-Rivera

(74) *Attorney, Agent, or Firm* — Muncy, Geissler, Olds & Lowe, P.C.

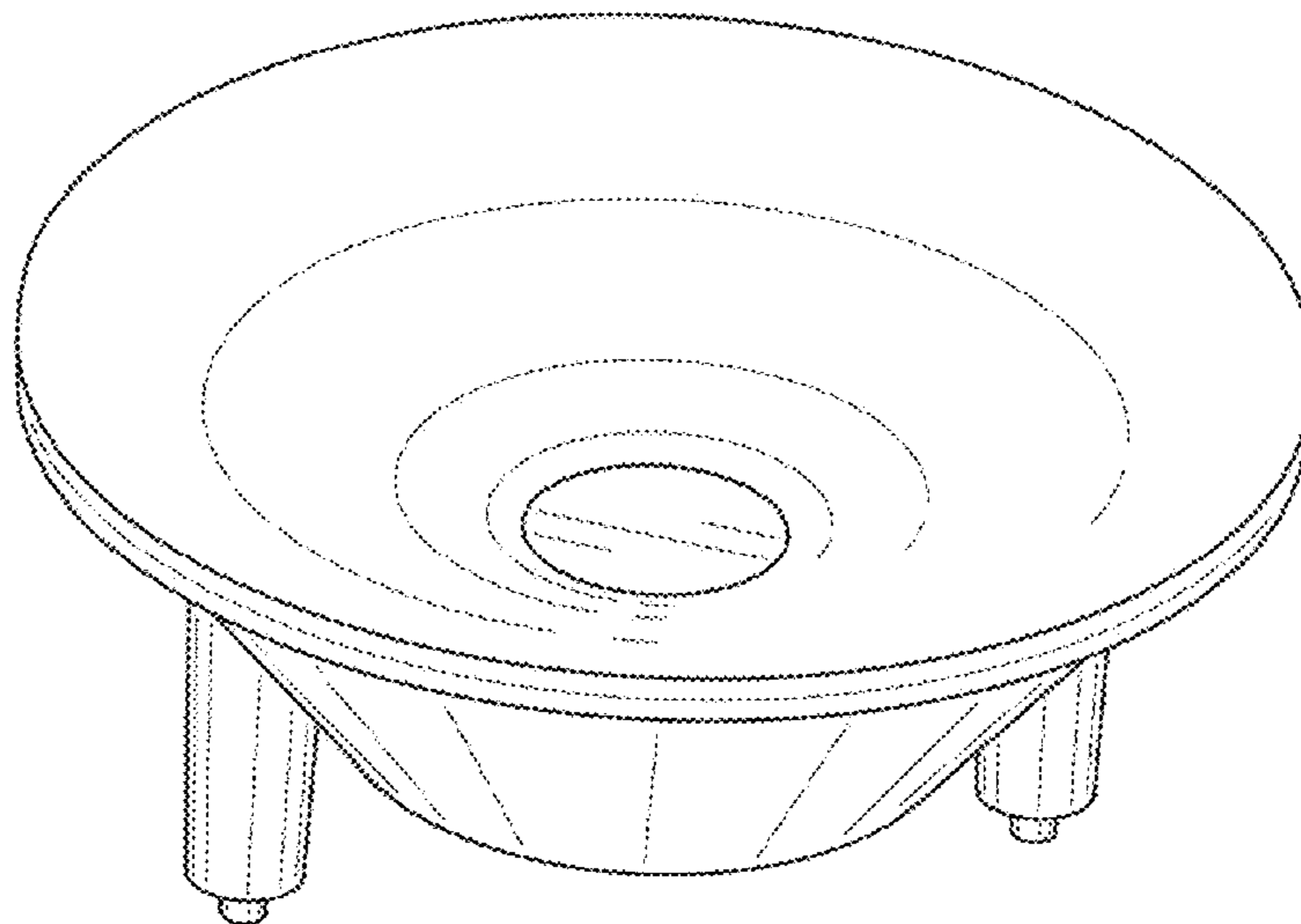
(57) **CLAIM**

The ornamental design for a lens for lighting module, as shown.

DESCRIPTION

FIG. 1 is a front perspective view of a lens for lighting module showing our new design;
 FIG. 2 is a rear perspective view thereof;
 FIG. 3 is a front elevational view thereof;
 FIG. 4 is a rear elevational view thereof;
 FIG. 5 is a left side view thereof;
 FIG. 6 is a right side view thereof;
 FIG. 7 is a top plan view thereof; and,
 FIG. 8 is a bottom plan view thereof.

1 Claim, 6 Drawing Sheets



(56)

References Cited

U.S. PATENT DOCUMENTS

D625,045 S	10/2010	Chen et al.		D698,070 S *	1/2014	Messisaen	D26/74
D625,462 S	10/2010	Ku et al.		D699,149 S	2/2014	Wolff	
8,075,165 B2 *	12/2011	Jiang	F21V 5/04 362/249.02	D705,473 S	5/2014	Messisaen	
8,120,048 B2	2/2012	Chen et al.		D705,978 S	5/2014	Rhodes	
8,182,110 B2	5/2012	Jiang et al.		D707,876 S *	6/2014	Reed	D26/118
8,267,553 B2	9/2012	Liang et al.		D707,877 S *	6/2014	Turner	D26/118
8,269,243 B2	9/2012	Duan et al.		D725,818 S *	3/2015	Yao	D26/118
8,500,299 B2 *	8/2013	Speidel	F21V 11/00 362/296.05	D740,485 S *	10/2015	Siuvatti	D26/118
D689,649 S	9/2013	Popper et al.		2003/0165059 A1	9/2003	Packer et al.	
D697,046 S	1/2014	Hanna		2010/0014286 A1	1/2010	Yoneda et al.	
				2010/0165636 A1	7/2010	Chen et al.	
				2011/0110097 A1	5/2011	Fu et al.	
				2011/0280023 A1	11/2011	Lee et al.	
				2013/0044494 A1	2/2013	Dross et al.	

* cited by examiner

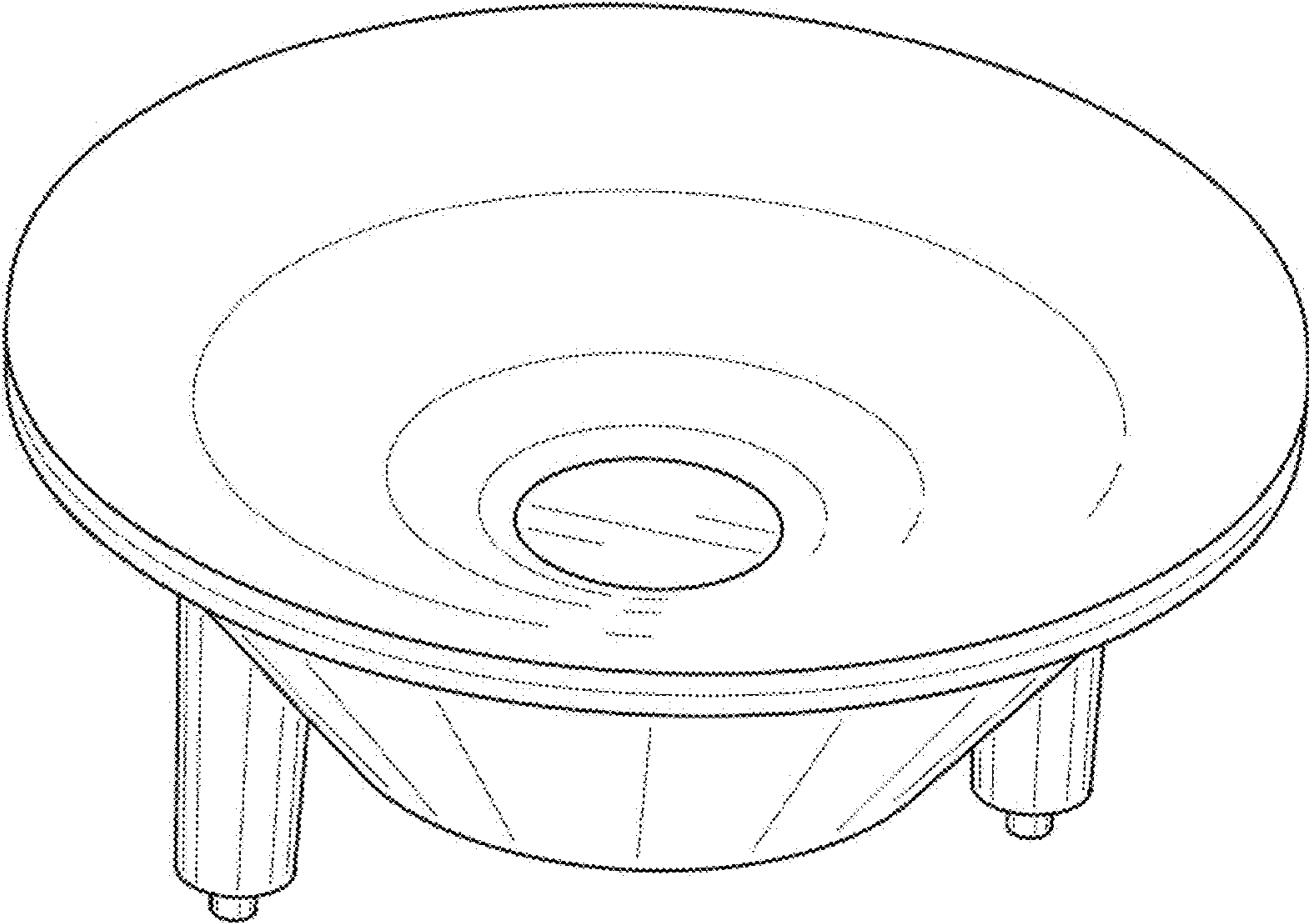


FIG. 1

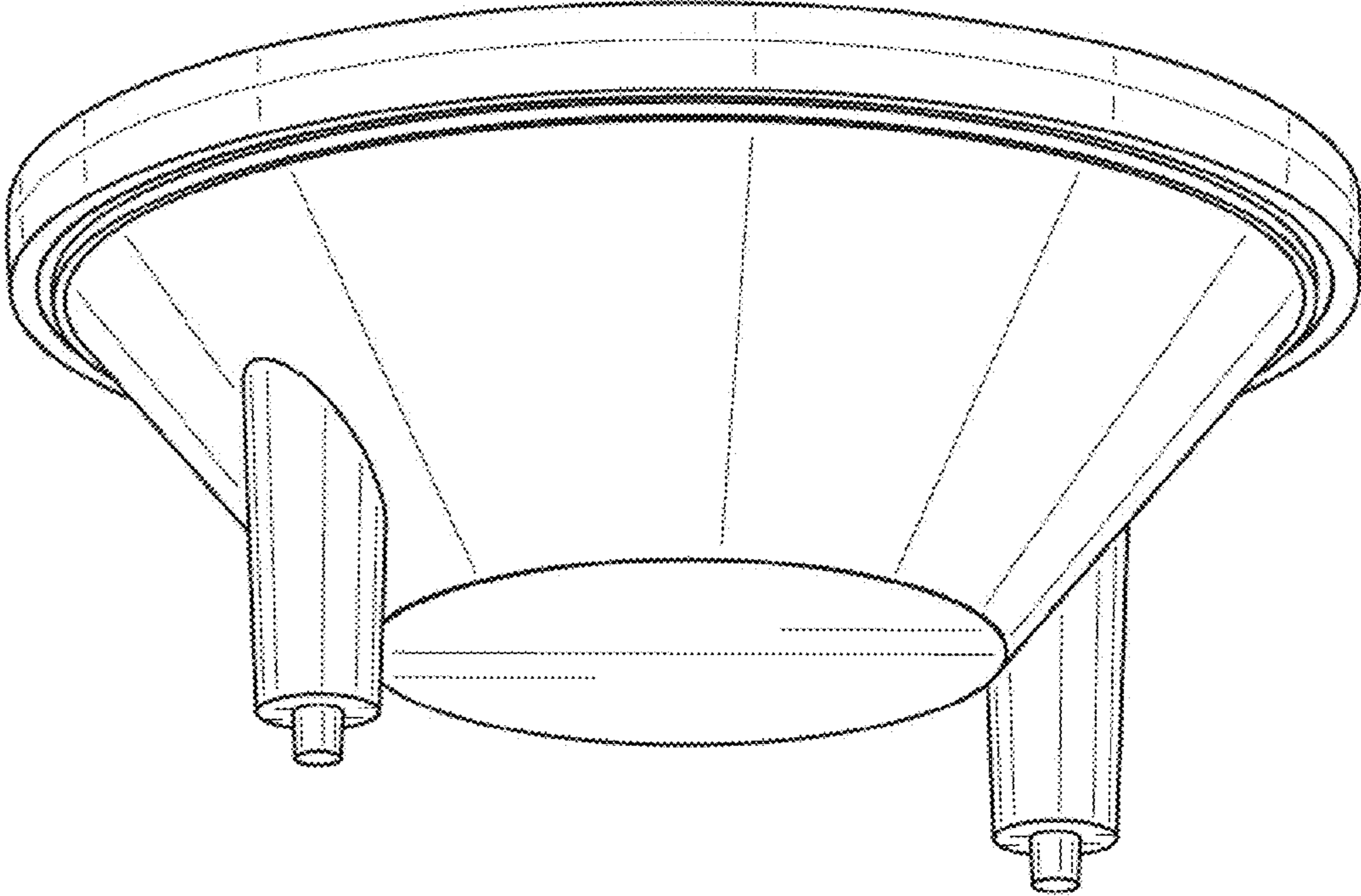


FIG. 2

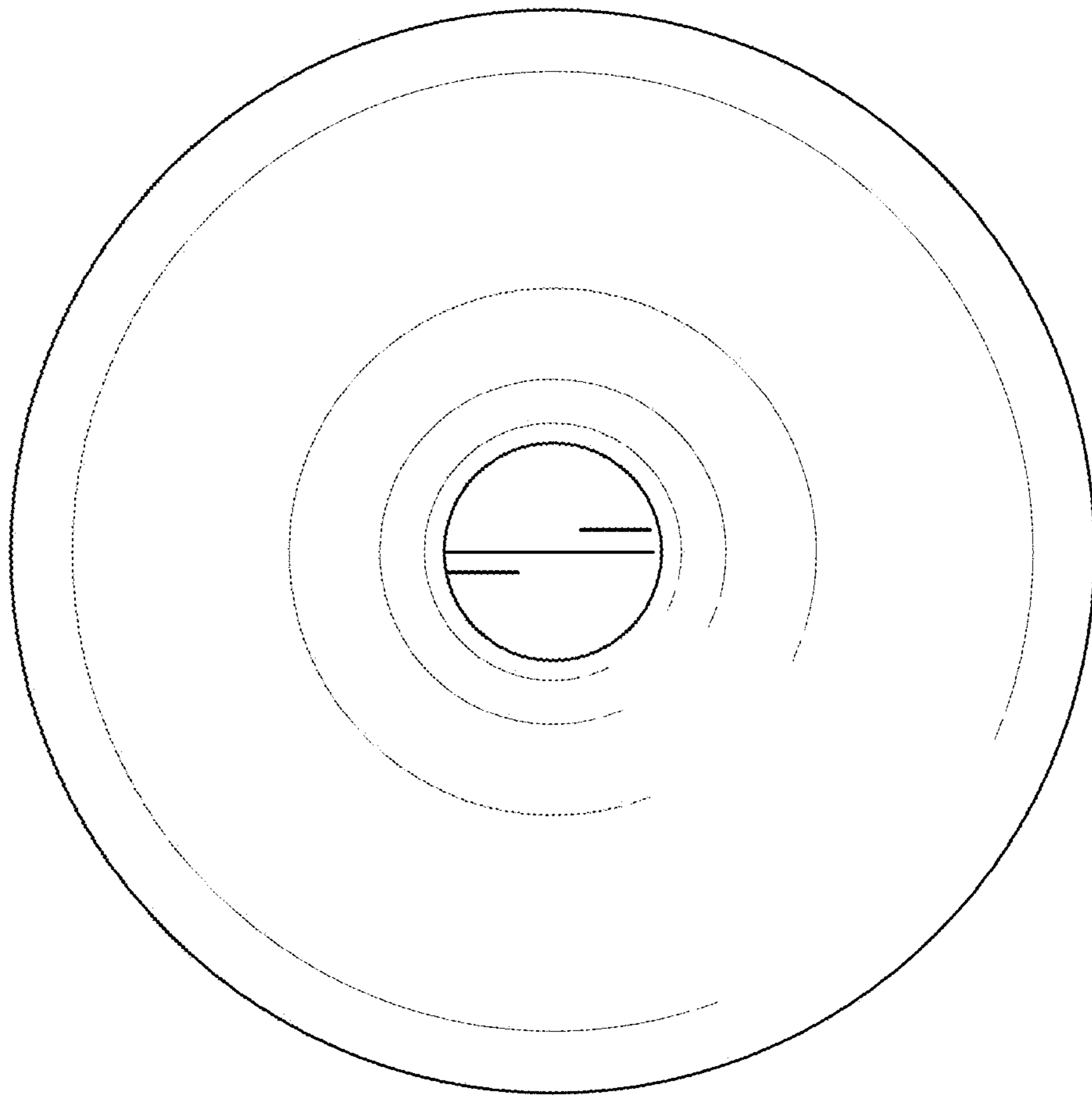


FIG. 3

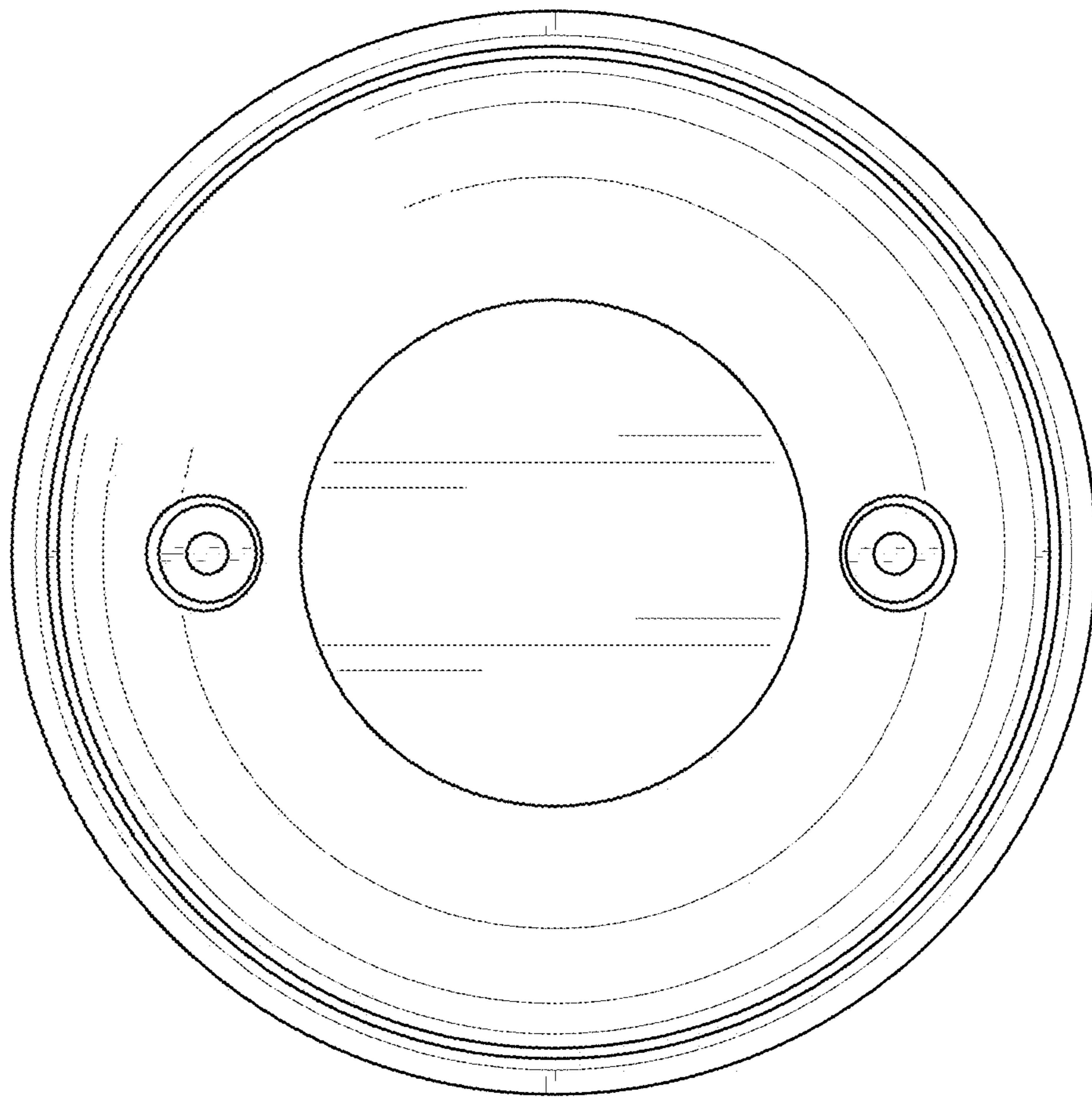


FIG. 4

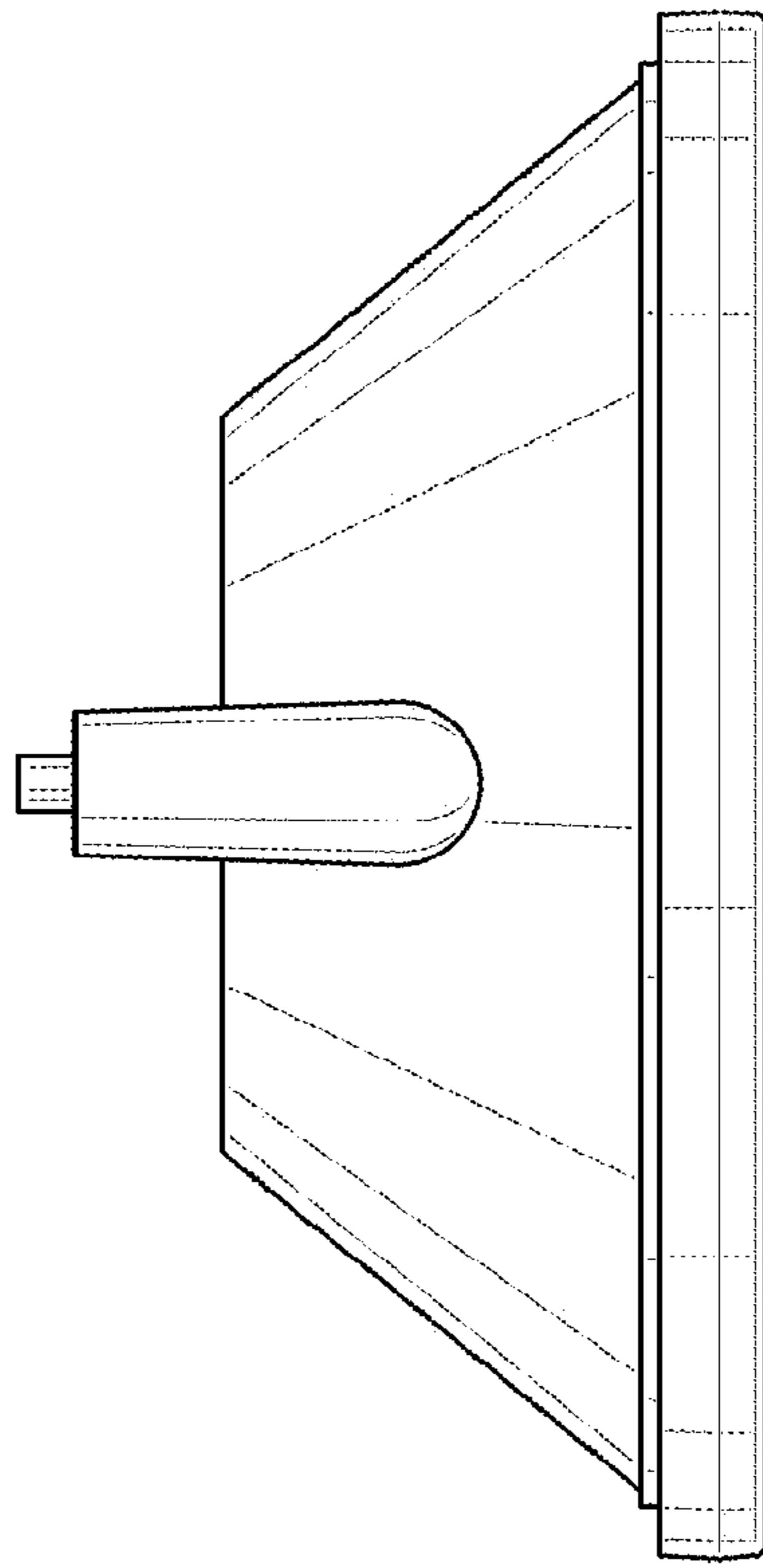


FIG. 5

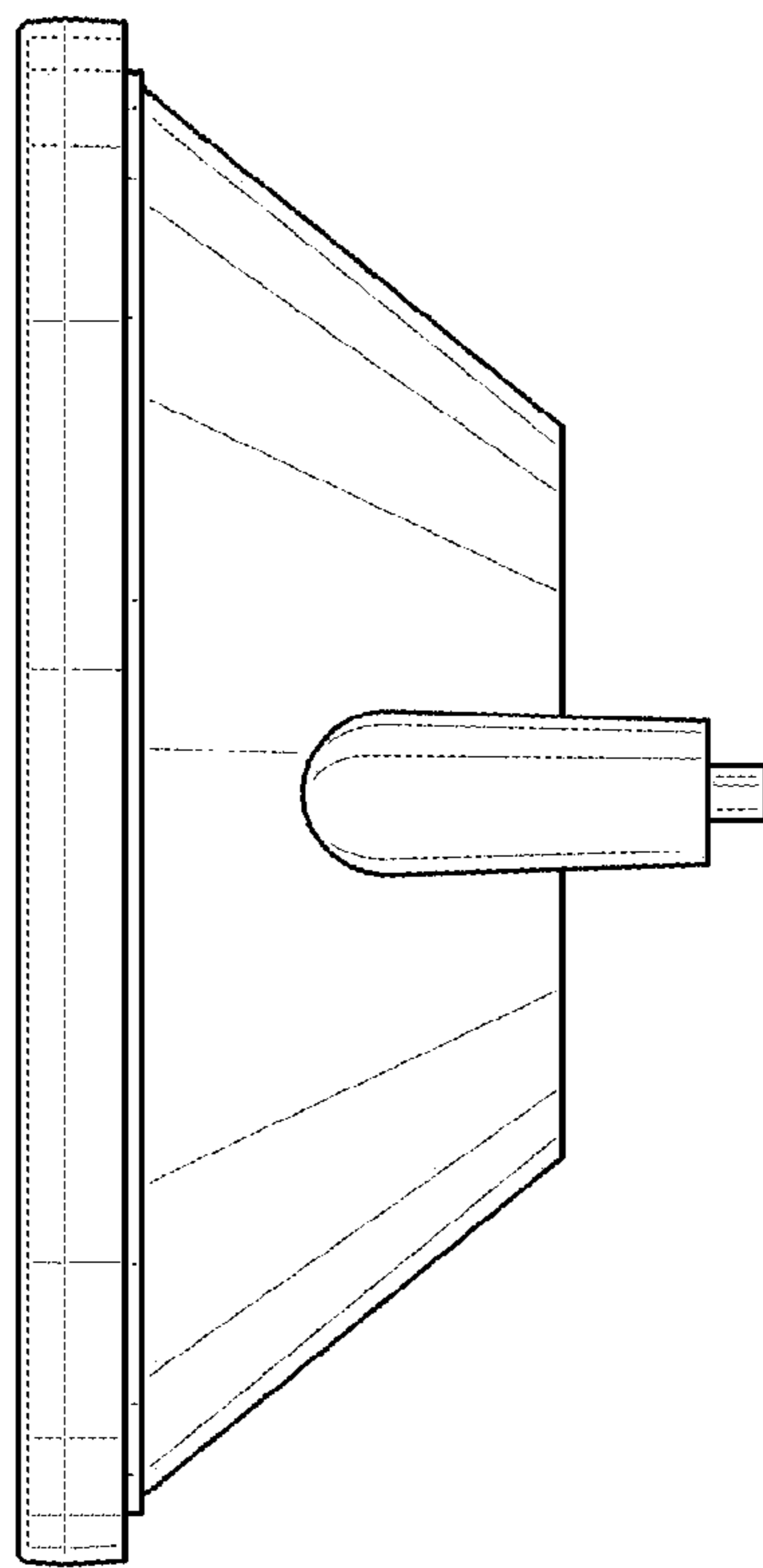


FIG. 6

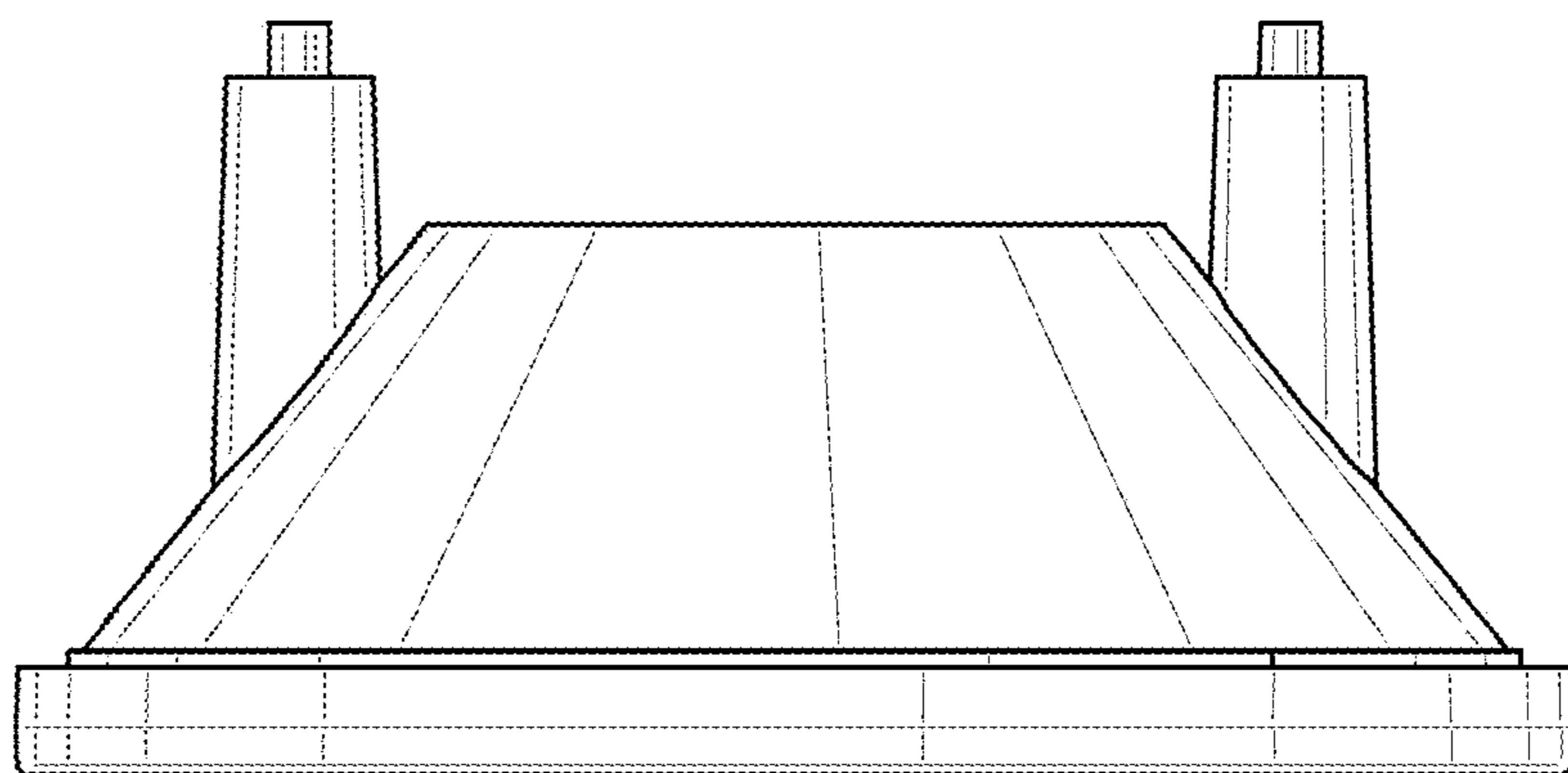


FIG. 7

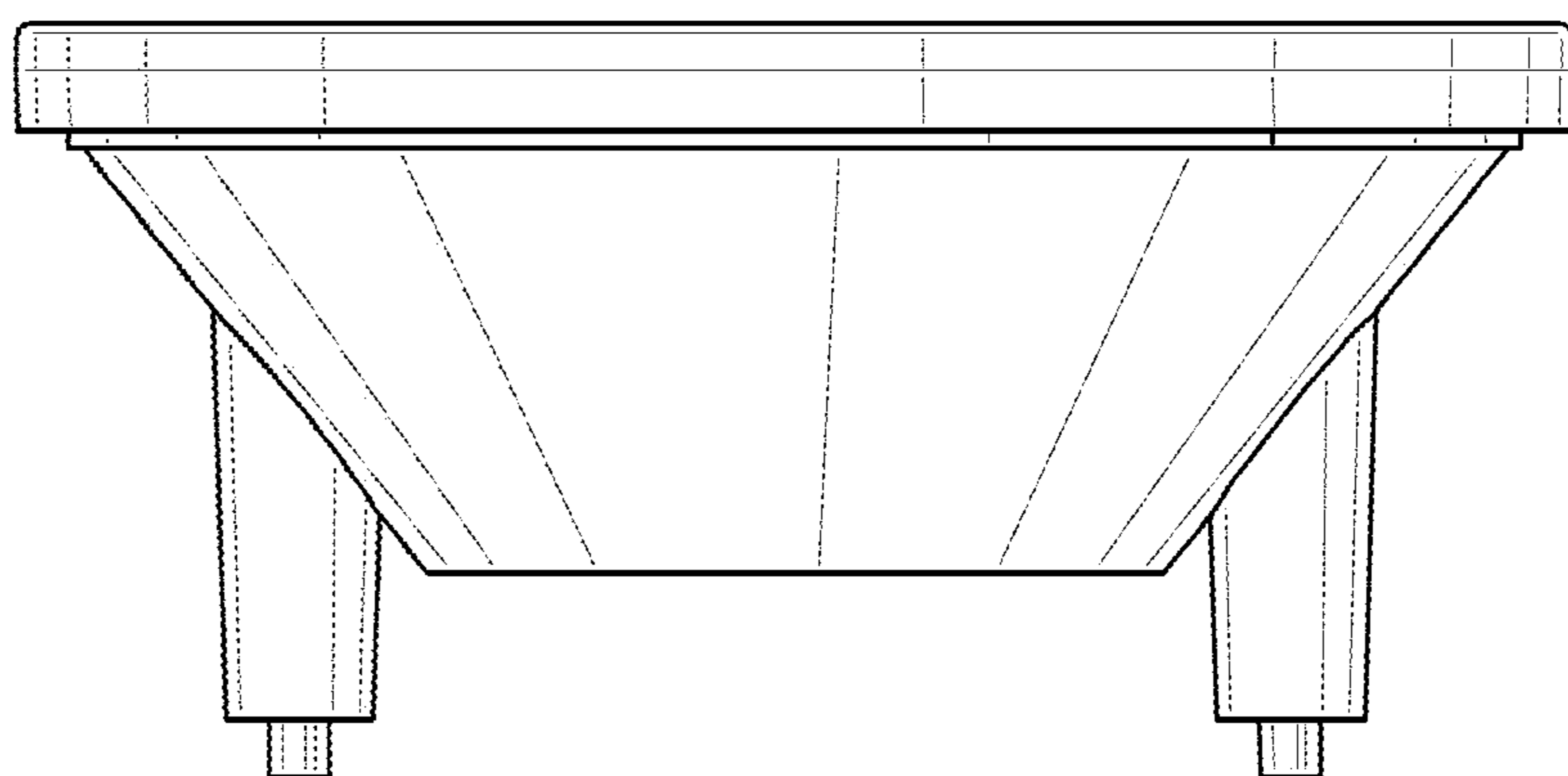


FIG. 8