



US00D750314S

(12) **United States Design Patent**  
**Hobson et al.**

(10) **Patent No.:** **US D750,314 S**  
(45) **Date of Patent:** **\*\* Feb. 23, 2016**

(54) **PHOTOCONTROL RECEPTACLE FOR LIGHTING FIXTURE**

(71) Applicant: **Cree, Inc.**, Durham, NC (US)

(72) Inventors: **Charles O. Hobson**, Waterford, WI (US); **Steve Patkus**, Mt. Pleasant, WI (US)

(73) Assignee: **Cree, Inc.**, Durham, NC (US)

(\*\*) Term: **14 Years**

(21) Appl. No.: **29/512,756**

(22) Filed: **Dec. 22, 2014**

(51) **LOC (10) Cl.** ..... **26-99**

(52) **U.S. Cl.**  
USPC ..... **D26/118**

(58) **Field of Classification Search**

USPC ..... D26/2, 28, 60, 72, 89, 104, 113, 118, D26/119, 120, 122, 124, 128, 138, 142, 143, D26/145; D13/179, 180, 102, 103, 107, 108  
CPC ..... F41C 27/00; F41C 33/0254; G02B 5/045; G02B 5/189; F21S 8/00; F21S 8/03; F21S 8/026; F21S 8/02; F21S 8/003; F21S 8/043; F21S 8/06; F21S 8/04; F21V 7/005; F21V 15/01; F21V 15/04; F21V 5/00; F21V 3/02; F21V 1/00; F21V 21/04; F21V 29/006; G02F 2001/133607; F21Y 2103/00; F21Y 2101/02; H01L 2224/48137; F21K 9/00  
See application file for complete search history.

(56) **References Cited**

**U.S. PATENT DOCUMENTS**

774,250 A 11/1904 Hubbell  
903,768 A 11/1908 Platt

(Continued)

**FOREIGN PATENT DOCUMENTS**

CN 202995464 U 6/2013  
CN 202995489 U 6/2013

(Continued)

**OTHER PUBLICATIONS**

ULApproved Photocontrol Receptacle Streetlight, image post date 1999, site visited Dec. 1, 2015, (online), <<http://www.alibaba.com/showroom/photocontrol-receptacle.html>>.\*

(Continued)

*Primary Examiner* — Kevin Rudzinski

*Assistant Examiner* — Sean D Lough

(74) *Attorney, Agent, or Firm* — Jansson Munger McKinley & Kirby Ltd.

(57) **CLAIM**

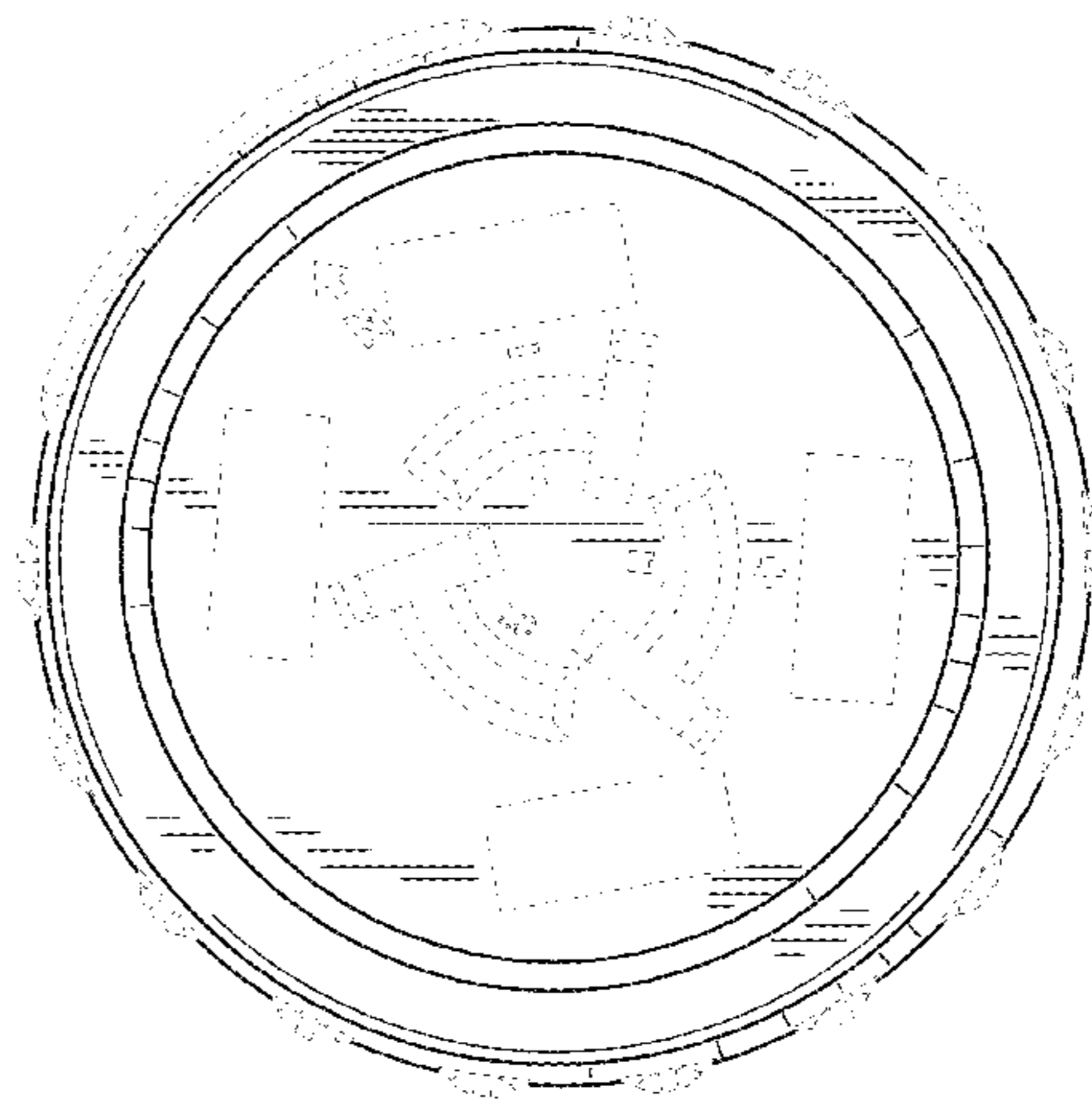
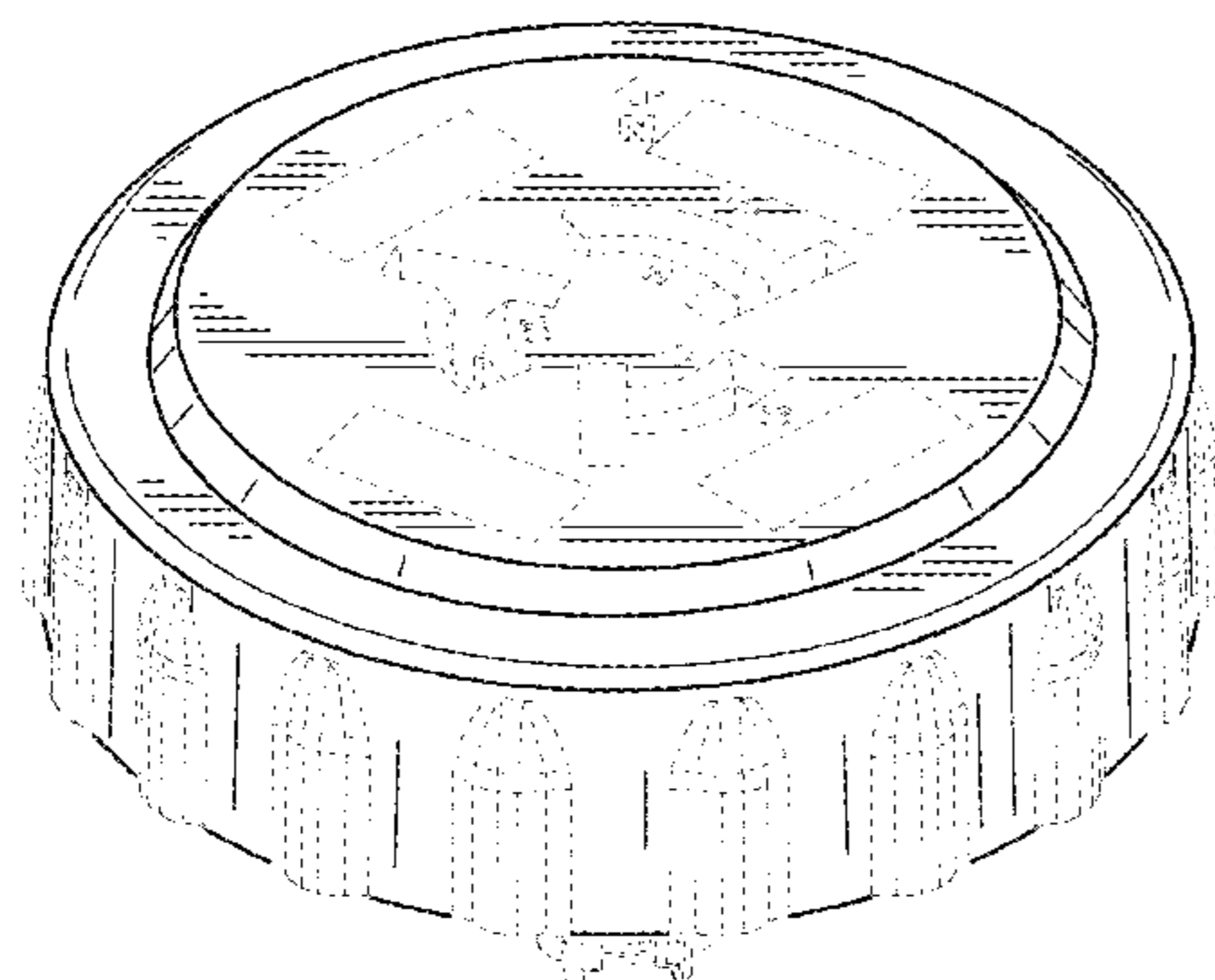
The ornamental design for a photocontrol receptacle for lighting fixture, as shown and described.

**DESCRIPTION**

FIG. 1 is a perspective view of a photocontrol receptacle for lighting fixture;  
FIG. 2 is a top plan view of the photocontrol receptacle for lighting fixture of FIG. 1;  
FIG. 3 is a bottom plan view of the photocontrol receptacle for lighting fixture of FIG. 1;  
FIG. 4 is a front elevation view of the photocontrol receptacle for lighting fixture of FIG. 1;  
FIG. 5 is a rear elevation view of the photocontrol receptacle for lighting fixture of FIG. 1;  
FIG. 6 is a right side elevation view of the photocontrol receptacle for lighting fixture of FIG. 1;  
FIG. 7 is a left side elevation view of the photocontrol receptacle for lighting fixture of FIG. 1; and,  
FIG. 8 is a perspective view of the photocontrol receptacle for lighting fixture of FIG. 1 shown with a photocontrol connected thereto as environment forming no part of the claimed design.

The broken lines (wherever present) in all FIGS. illustrate portions of the photocontrol receptacle for lighting fixture that form no part of the claimed design.

**1 Claim, 6 Drawing Sheets**



(56)

## References Cited

## U.S. PATENT DOCUMENTS

- |                |         |                |                            |                |         |                  |                          |
|----------------|---------|----------------|----------------------------|----------------|---------|------------------|--------------------------|
| D80,408 S *    | 1/1930  | Burke          | D8/DIG. 2                  | D508,202 S *   | 8/2005  | Dobson           | D9/447                   |
| 1,975,703 A *  | 10/1934 | Vitale         | B65D 25/54<br>220/602      | D515,958 S *   | 2/2006  | Dueker           | D10/109.1                |
| D154,204 S *   | 6/1949  | Jung           | D9/453                     | 7,109,874 B2 * | 9/2006  | Pilkington       | G08B 17/10<br>340/628    |
| 2,753,081 A *  | 7/1956  | Hobson         | B65D 25/16<br>220/918      | 7,173,236 B2 * | 2/2007  | Kawano           | G01D 5/165<br>250/231.13 |
| 2,941,182 A    | 6/1960  | Heller         |                            | 7,189,095 B1 * | 3/2007  | Tseng            | H01R 33/90<br>439/337    |
| 2,970,222 A    | 1/1961  | Husby et al.   |                            | D543,456 S *   | 5/2007  | Muhlemann        | D9/452                   |
| 3,031,582 A    | 4/1962  | Benner et al.  |                            | D544,618 S *   | 6/2007  | Coushaine        | D26/37                   |
| D192,710 S *   | 5/1962  | Hecht          | D9/439                     | D548,688 S *   | 8/2007  | Fee              | D13/107                  |
| 3,083,347 A    | 3/1963  | Fahey, Jr.     |                            | D550,614 S *   | 9/2007  | Fee              | D13/107                  |
| 3,123,423 A    | 3/1964  | Schmitt        |                            | 7,285,738 B2 * | 10/2007 | Lavigne          | H01H 3/20<br>200/18      |
| 3,187,082 A *  | 6/1965  | Allison        | H01J 5/12<br>165/185       | D559,417 S *   | 1/2008  | Krieger          | D26/37                   |
| 3,343,852 A    | 9/1967  | Blight et al.  |                            | D569,292 S *   | 5/2008  | Hardenbrook      | D10/121                  |
| 3,379,892 A    | 4/1968  | Neagle         |                            | D570,032 S *   | 5/2008  | Lehman           | D26/118                  |
| 3,398,391 A    | 8/1968  | Brishka        |                            | D575,900 S *   | 8/2008  | Summerford       | D26/128                  |
| 3,408,501 A    | 10/1968 | Thompson       |                            | D577,009 S *   | 9/2008  | Wilson           | D14/225                  |
| 3,411,049 A *  | 11/1968 | Trincossi      | H01L 23/36<br>165/185      | D578,889 S *   | 10/2008 | Sadiq            | D9/453                   |
| 3,621,337 A *  | 11/1971 | Kappenhagen    | G05D 25/02<br>250/239      | D580,085 S *   | 11/2008 | Svensson         | D26/71                   |
| 3,710,130 A    | 1/1973  | Pate           |                            | D585,823 S *   | 2/2009  | Guccione         | D13/108                  |
| D233,999 S *   | 12/1974 | Potter         | D21/443                    | D591,291 S *   | 4/2009  | Robinson         | D14/383                  |
| D241,917 S *   | 10/1976 | Borum          | D9/452                     | D594,404 S *   | 6/2009  | Kuo              | D13/107                  |
| 4,023,035 A *  | 5/1977  | Rodriguez      | F21V 19/0065<br>250/214 AL | 7,622,701 B2   | 11/2009 | Stevens et al.   |                          |
| 4,090,178 A *  | 5/1978  | Norris         | G08B 17/107<br>340/506     | D605,319 S *   | 12/2009 | Devaney          | D26/39                   |
| D249,935 S *   | 10/1978 | Williams       | D9/454                     | 7,637,766 B2   | 12/2009 | Kauffman et al.  |                          |
| 4,168,438 A *  | 9/1979  | Morisue        | G08B 17/107<br>250/574     | D619,003 S *   | 7/2010  | Benoit-Gonin     | D9/453                   |
| 4,236,822 A *  | 12/1980 | Jaretsky       | G08B 17/10<br>250/381      | D625,638 S *   | 10/2010 | Lodi             | D10/106.9                |
| 4,374,329 A *  | 2/1983  | Schoenfelder   | G08B 29/145<br>250/574     | D626,963 S *   | 11/2010 | Kim              | D14/420                  |
| 4,477,143 A    | 10/1984 | Taylor         |                            | D634,714 S *   | 3/2011  | Kim              | D13/162                  |
| D283,989 S *   | 5/1986  | Chen           | D10/121                    | D640,199 S *   | 6/2011  | Wilson           | D13/139.7                |
| 4,618,777 A *  | 10/1986 | Schoenfelder   | G08B 17/10<br>250/381      | 7,972,154 B2 * | 7/2011  | Pech             | H01R 13/625<br>439/173   |
| 4,623,878 A *  | 11/1986 | Schoenwetter   | A47G 33/04<br>340/522      | D643,971 S *   | 8/2011  | Yamamoto         | D26/138                  |
| 4,653,834 A    | 3/1987  | Norden         |                            | D645,349 S *   | 9/2011  | Tilton           | D9/453                   |
| 4,796,015 A *  | 1/1989  | Admire, Jr.    | G08B 17/10<br>340/628      | D645,818 S *   | 9/2011  | Guccione         | D13/108                  |
| 4,972,049 A    | 11/1990 | Muench         |                            | D647,227 S *   | 10/2011 | Kaule            | D26/24                   |
| D346,981 S *   | 5/1994  | Ratzlaff       | D10/106.5                  | 8,038,481 B1   | 10/2011 | Creighton et al. |                          |
| D356,050 S *   | 3/1995  | Tice           | D10/106.5                  | D648,061 S *   | 11/2011 | Yamamoto         | D26/138                  |
| D362,441 S *   | 9/1995  | Mark           | D14/216                    | D657,090 S *   | 4/2012  | Kaule            | D26/138                  |
| D372,417 S *   | 8/1996  | Jimenez        | D8/343                     | D659,093 S *   | 5/2012  | Schmid           | D13/108                  |
| 5,593,318 A    | 1/1997  | Bilson et al.  |                            | D659,893 S *   | 5/2012  | Ding             | D26/113                  |
| 5,690,423 A *  | 11/1997 | Hentz          | F21S 8/02<br>248/302       | D668,811 S *   | 10/2012 | Peter            | D26/89                   |
| D389,062 S *   | 1/1998  | Ekkert         | D9/453                     | D669,848 S *   | 10/2012 | Andresen         | D13/102                  |
| D425,024 S *   | 5/2000  | Klaus          | D13/134                    | 8,308,319 B2 * | 11/2012 | Kong, II         | F21V 7/0041<br>362/235   |
| 6,057,778 A *  | 5/2000  | Davidson       | G08B 17/107<br>340/691.1   | D676,598 S *   | 2/2013  | Davidson         | D26/138                  |
| 6,059,427 A    | 5/2000  | Wedell et al.  |                            | 8,398,435 B2   | 3/2013  | Aurongzeb et al. |                          |
| D426,189 S *   | 6/2000  | Buckle         | D13/103                    | 8,465,182 B1 * | 6/2013  | Davis            | F21V 21/042<br>248/342   |
| D426,806 S *   | 6/2000  | Buckle         | D13/103                    | 8,500,468 B2 * | 8/2013  | Gravolin         | H01R 13/506<br>439/136   |
| D427,068 S *   | 6/2000  | Hierzer        | D9/436                     | 8,506,127 B2 * | 8/2013  | Russello         | F21V 3/00<br>362/235     |
| D427,144 S *   | 6/2000  | Buckle         | D13/103                    | D692,171 S *   | 10/2013 | Randolph         | D26/67                   |
| 6,089,910 A    | 7/2000  | Suzuki et al.  |                            | 8,545,063 B2 * | 10/2013 | Dupuy            | F21S 8/02<br>362/365     |
| 6,113,424 A    | 9/2000  | Shinozaki      |                            | 8,547,056 B2 * | 10/2013 | Chang            | H02J 7/0042<br>320/107   |
| 6,394,293 B1 * | 5/2002  | Hierzer        | B65D 51/245<br>206/459.5   | D692,898 S *   | 11/2013 | Luijben          | D14/447                  |
| D464,957 S *   | 10/2002 | Guccione       | D14/240                    | D696,452 S *   | 12/2013 | Gordin           | D26/118                  |
| D465,046 S *   | 10/2002 | Layne          | D26/63                     | D700,571 S *   | 3/2014  | Guccione         | D13/108                  |
| D476,769 S *   | 7/2003  | Pilkington     | D26/51                     | D701,333 S *   | 3/2014  | Wen              | D26/24                   |
| 6,592,384 B2   | 7/2003  | Sawayanagi     |                            | D710,329 S *   | 8/2014  | Holzer           | D14/216                  |
| D494,468 S *   | 8/2004  | Vovan          | D9/428                     | D711,586 S *   | 8/2014  | Wilson           | D26/142                  |
| D499,552 S *   | 12/2004 | Nissanoff      | D3/273                     | D712,001 S *   | 8/2014  | Wells            | D22/108                  |
| D503,240 S *   | 3/2005  | Weiland        | D26/94                     | D715,262 S *   | 10/2014 | Nakamura         | D14/216                  |
| D503,667 S *   | 4/2005  | Keefer         | D12/197                    | D715,474 S *   | 10/2014 | Janos            | D26/63                   |
| 6,884,089 B2   | 4/2005  | Obikane et al. |                            | D715,745 S *   | 10/2014 | Hurr             | D13/165                  |
|                |         |                |                            | D716,284 S *   | 10/2014 | Melanson         | D14/250                  |
|                |         |                |                            | 8,888,329 B2 * | 11/2014 | Harbers          | F21K 9/54<br>250/227.11  |
|                |         |                |                            | 8,933,616 B2 * | 1/2015  | Keser            | F21V 19/001<br>313/46    |
|                |         |                |                            | 8,960,989 B2 * | 2/2015  | Van De Ven       | H05B 33/0802<br>362/459  |
|                |         |                |                            | D725,302 S *   | 3/2015  | Popper           | D26/49                   |
|                |         |                |                            | D726,194 S *   | 4/2015  | Feng             | D14/447                  |

(56)

References Cited

U.S. PATENT DOCUMENTS

D728,849 S \* 5/2015 Hamel ..... D26/128  
 D730,555 S \* 5/2015 Gebhard ..... D26/72  
 D733,107 S \* 6/2015 Porter ..... D14/240  
 9,068,728 B1 \* 6/2015 Lee ..... F21V 14/085  
 D734,254 S \* 7/2015 Chen ..... D13/108  
 D734,861 S \* 7/2015 Johnson ..... D24/201  
 D735,131 S \* 7/2015 Akana ..... D13/108  
 D736,166 S \* 8/2015 Kuh ..... D14/125  
 D736,449 S \* 8/2015 Getty ..... D26/110  
 D737,497 S \* 8/2015 Burgess ..... D26/113  
 9,103,537 B2 \* 8/2015 Maeng ..... F21V 29/02  
 D737,760 S \* 9/2015 Kyriakoulis ..... D13/108  
 D739,209 S \* 9/2015 Lohmann ..... D8/351  
 D740,221 S \* 10/2015 Popper ..... D13/103  
 D740,750 S \* 10/2015 Mayden ..... D13/108  
 9,170,479 B1 \* 10/2015 Kosakura ..... G03B 25/00  
 D742,823 S \* 11/2015 Nitz ..... D13/103  
 D743,059 S \* 11/2015 Itoh ..... D26/2  
 D743,079 S \* 11/2015 Adair ..... D26/67  
 D743,383 S \* 11/2015 Hinokio ..... D14/225  
 D743,522 S \* 11/2015 Pan ..... D23/411  
 D743,914 S \* 11/2015 Hobson ..... D13/165  
 D744,173 S \* 11/2015 Jones ..... D30/129  
 2002/0119692 A1 \* 8/2002 Burton ..... H01R 4/489  
 439/346  
 2006/0101676 A1 \* 5/2006 Ratmansky ..... G09F 3/18  
 40/27.5  
 2007/0258248 A1 \* 11/2007 Duhe ..... G02B 25/02  
 362/362  
 2010/0000846 A1 \* 1/2010 Nemetz ..... B25F 5/00  
 200/336  
 2010/0147665 A1 \* 6/2010 Huang ..... H01H 3/20  
 200/336  
 2010/0258412 A1 \* 10/2010 Soldo ..... H01H 9/02  
 200/11 R  
 2010/0323592 A1 \* 12/2010 Nemetz ..... B23D 45/16  
 451/353

2012/0088401 A1 4/2012 Mochizuki et al.  
 2012/0287644 A1 \* 11/2012 Wronski ..... F21V 7/22  
 362/296.01  
 2014/0042003 A1 \* 2/2014 Meftah ..... H01H 3/022  
 200/334  
 2014/0043303 A1 \* 2/2014 Baker ..... G06F 3/0362  
 345/184  
 2014/0216911 A1 \* 8/2014 Benni ..... H01H 3/022  
 200/534  
 2014/0301087 A1 \* 10/2014 Wronski ..... F21S 8/02  
 362/368

FOREIGN PATENT DOCUMENTS

CN 202995490 U 6/2013  
 CN 202996718 U 6/2013  
 CN 202998582 U 6/2013  
 CN 203202991 U 9/2013

OTHER PUBLICATIONS

Lighting Fixture, image post date 2011, site visited Dec. 1, 2015, (online), <<http://www.ecmag.com/products/lighting-fixtures-0>>.\*  
 Hubbell brochure titled "Twist-Lock Wiring Devices and Safety Enclosures" 28 pages, Copyright 1998.  
 An Internet article titled "National Electrical Manufacturers Association" retrieved from the Wikipedia.org on Feb. 24, 2014; URL: [http://en.wikipedia.org/wiki/National\\_Electrical\\_Manufacturers\\_Association](http://en.wikipedia.org/wiki/National_Electrical_Manufacturers_Association).  
 GE product information sheet for "Dimming Controller—Outdoor" 1 page, Copyright 2011.  
 GE product image for WOLC LED S 12331; retrieved from the Internet on Mar. 7, 2014, URL: <http://www.gelighting.com/LightingWeb/na/images/GE-Wireless-Lighting-Control-System> . . . .  
 GE product information sheet for The Monitor Stand-Alone Controller titled "Next-generation Control" 1 page.

\* cited by examiner

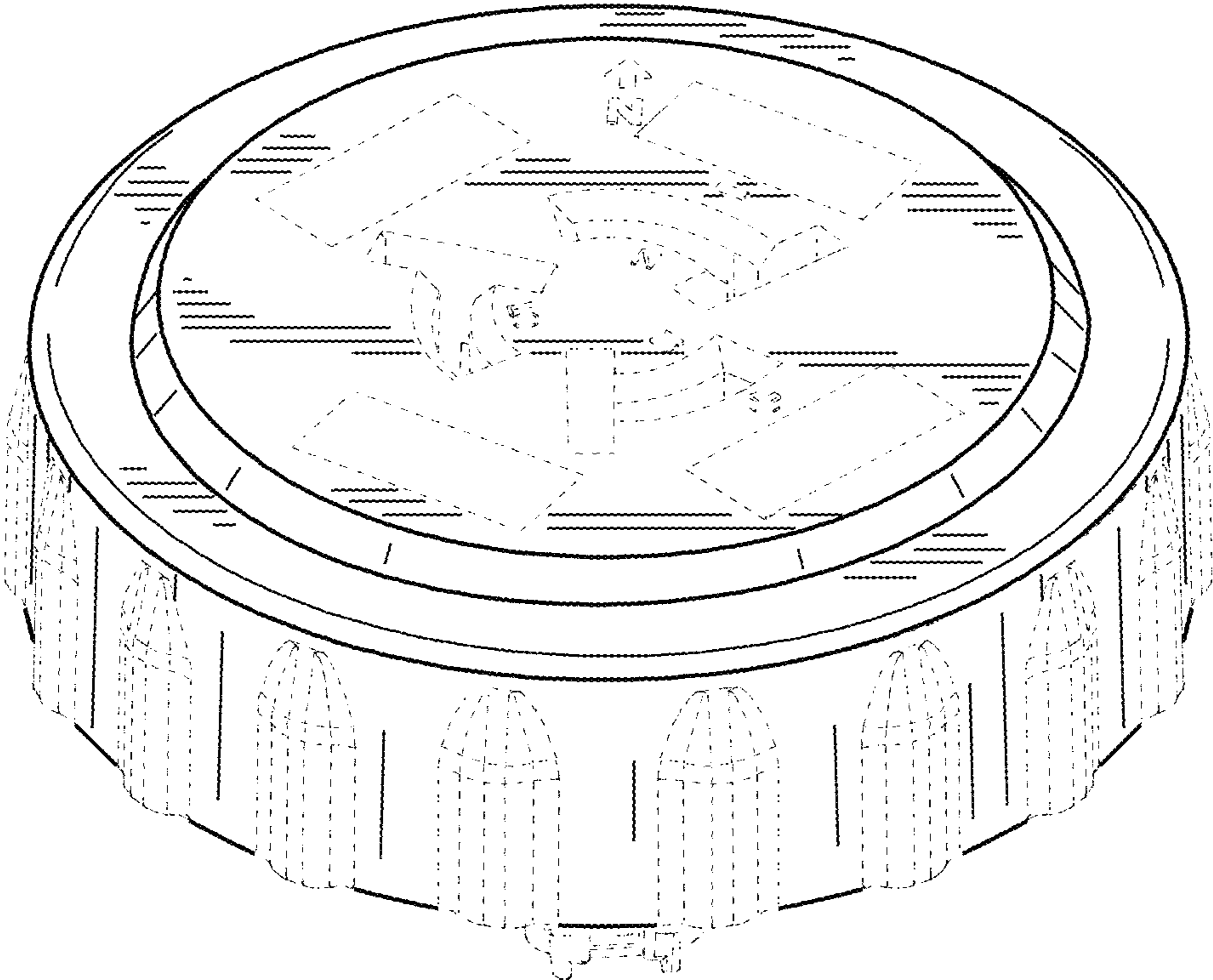


FIG. 1

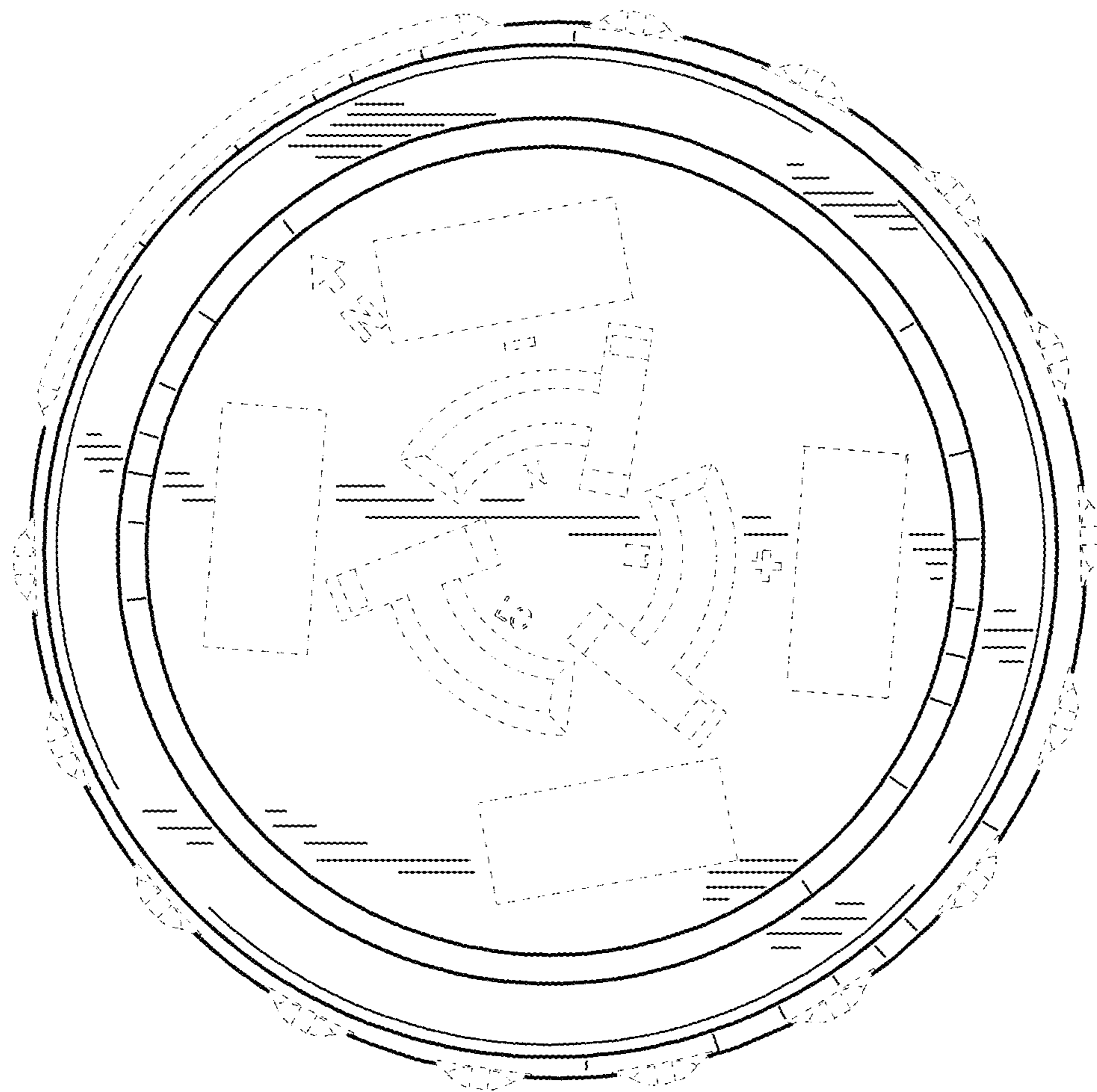


FIG. 2

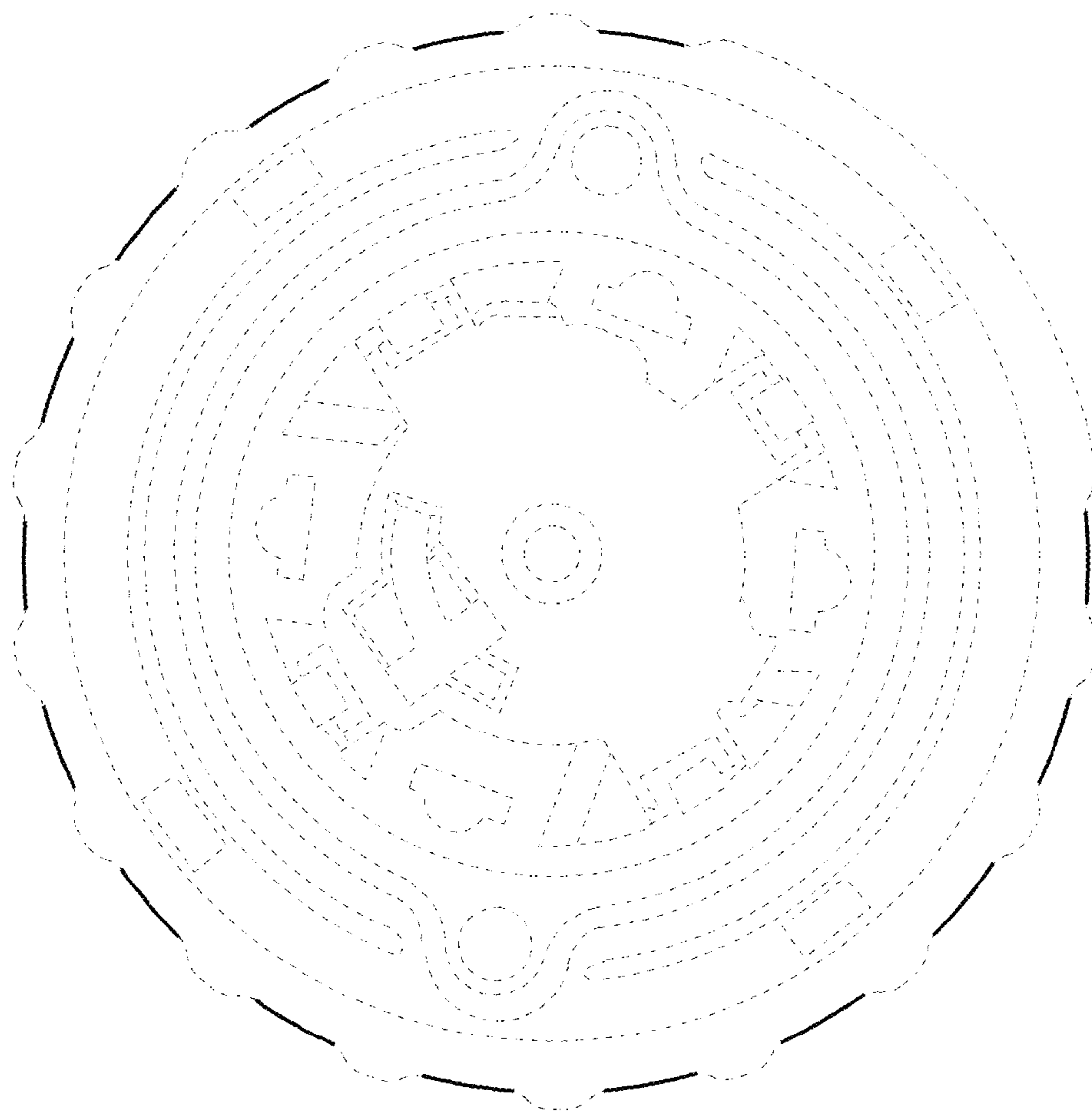


FIG. 3

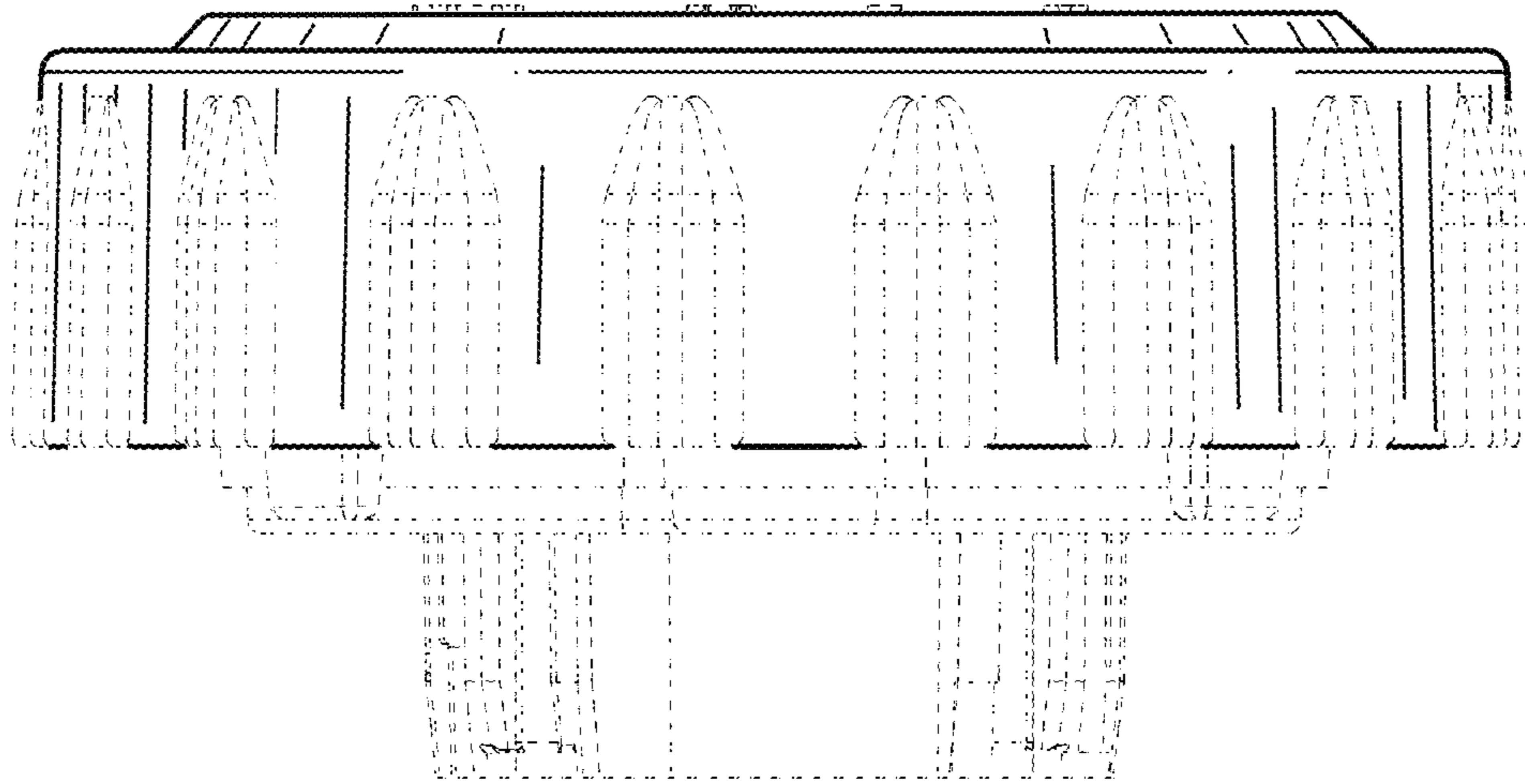


FIG. 4

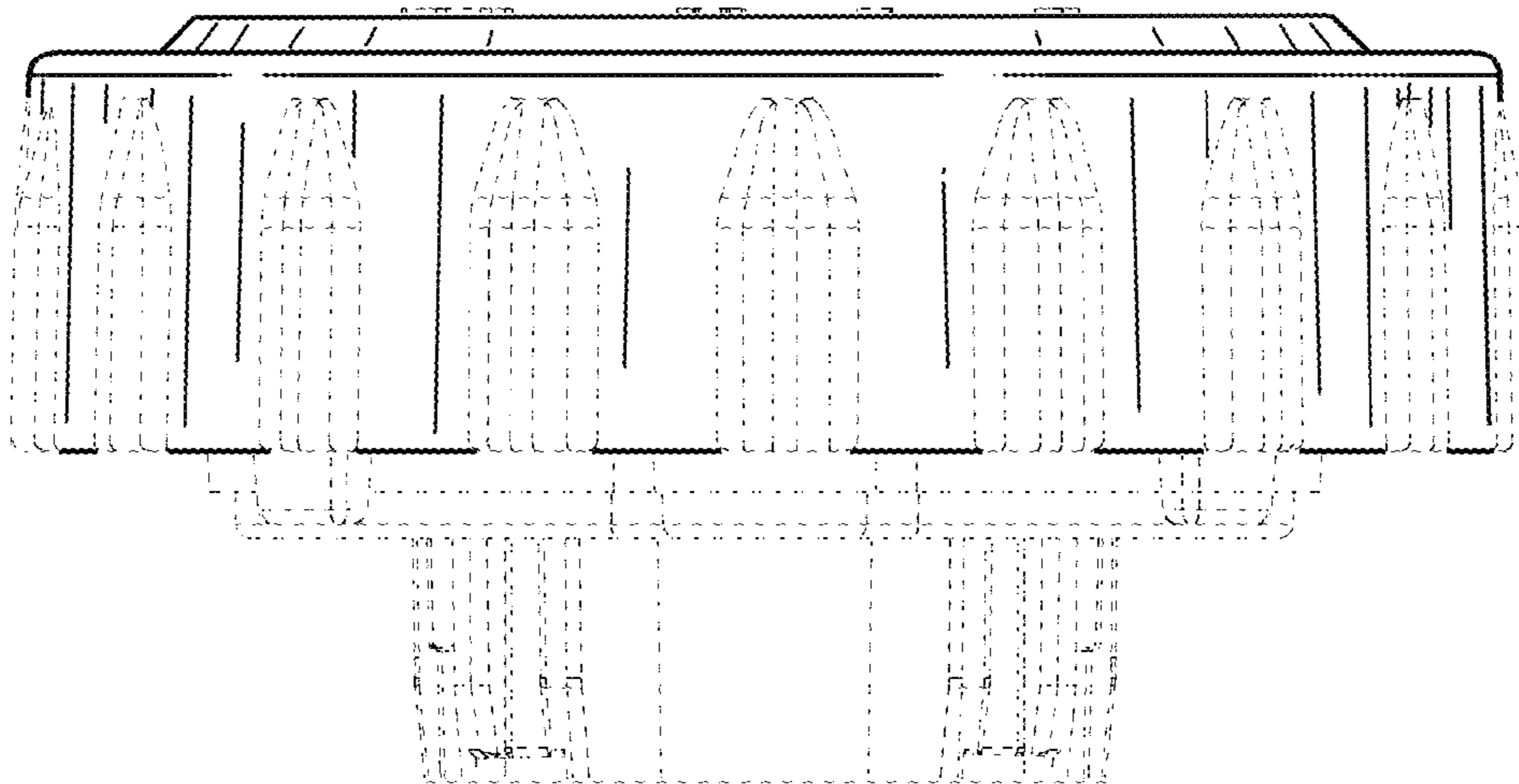


FIG. 5

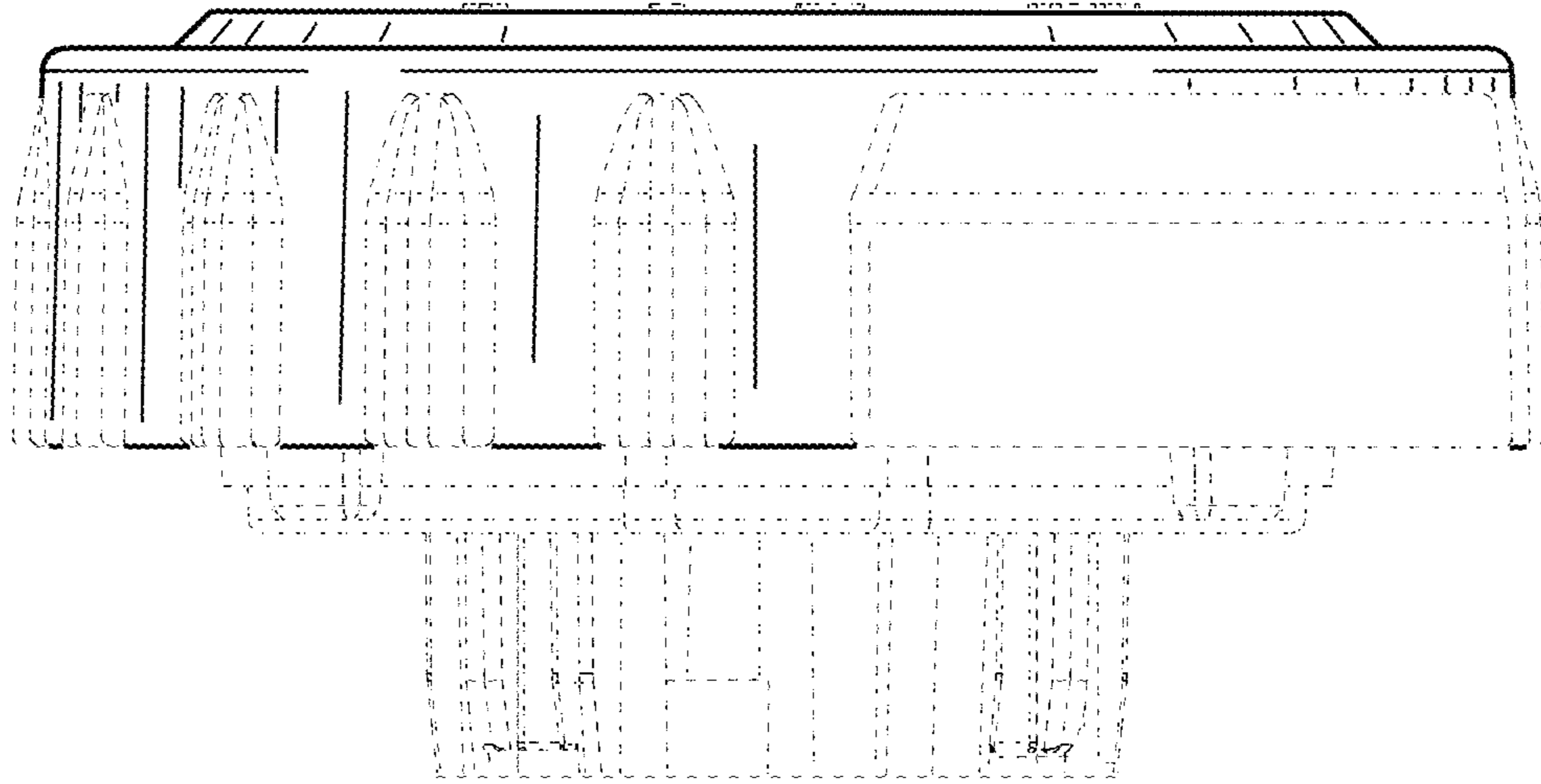


FIG. 6

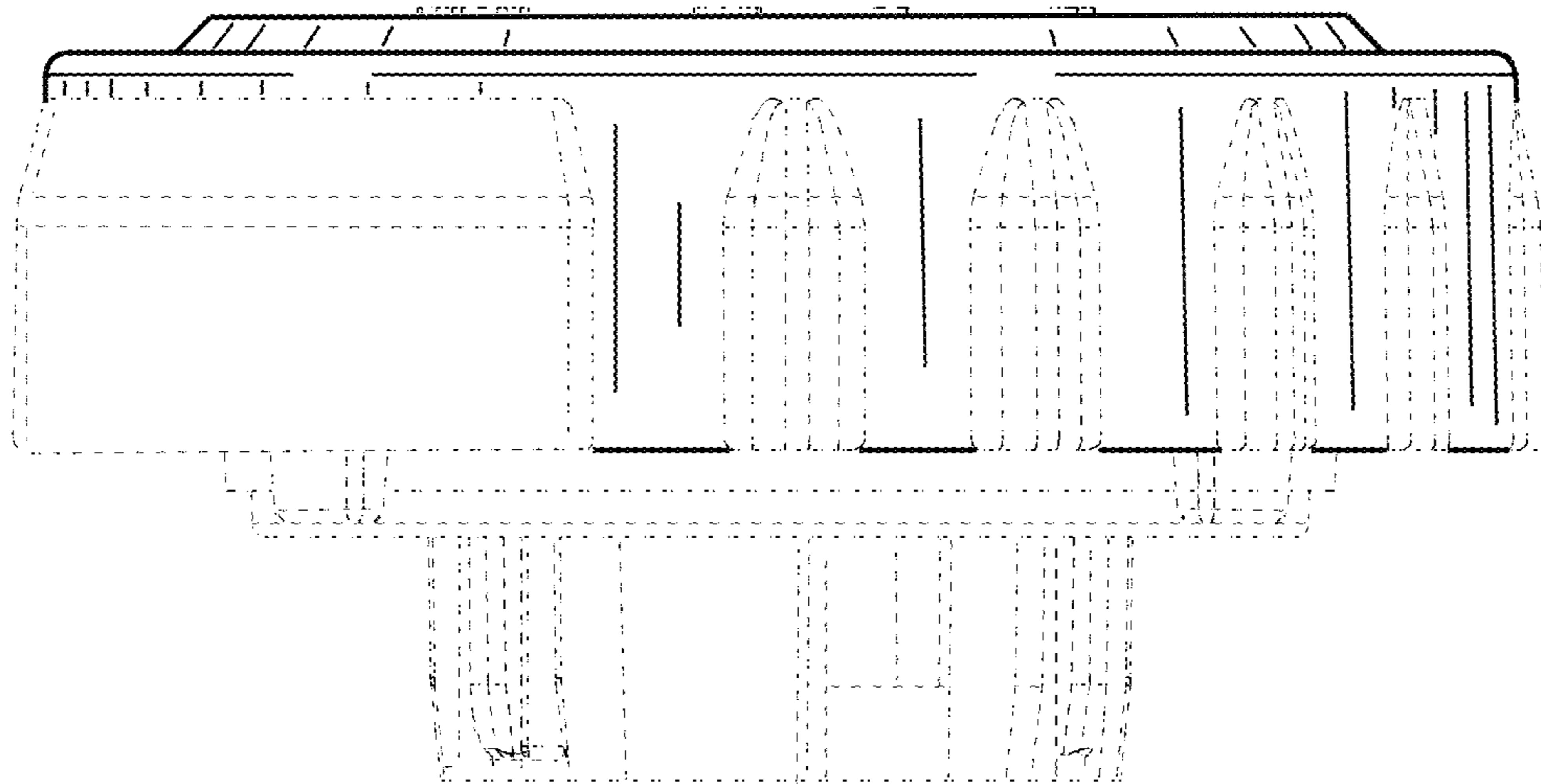


FIG. 7



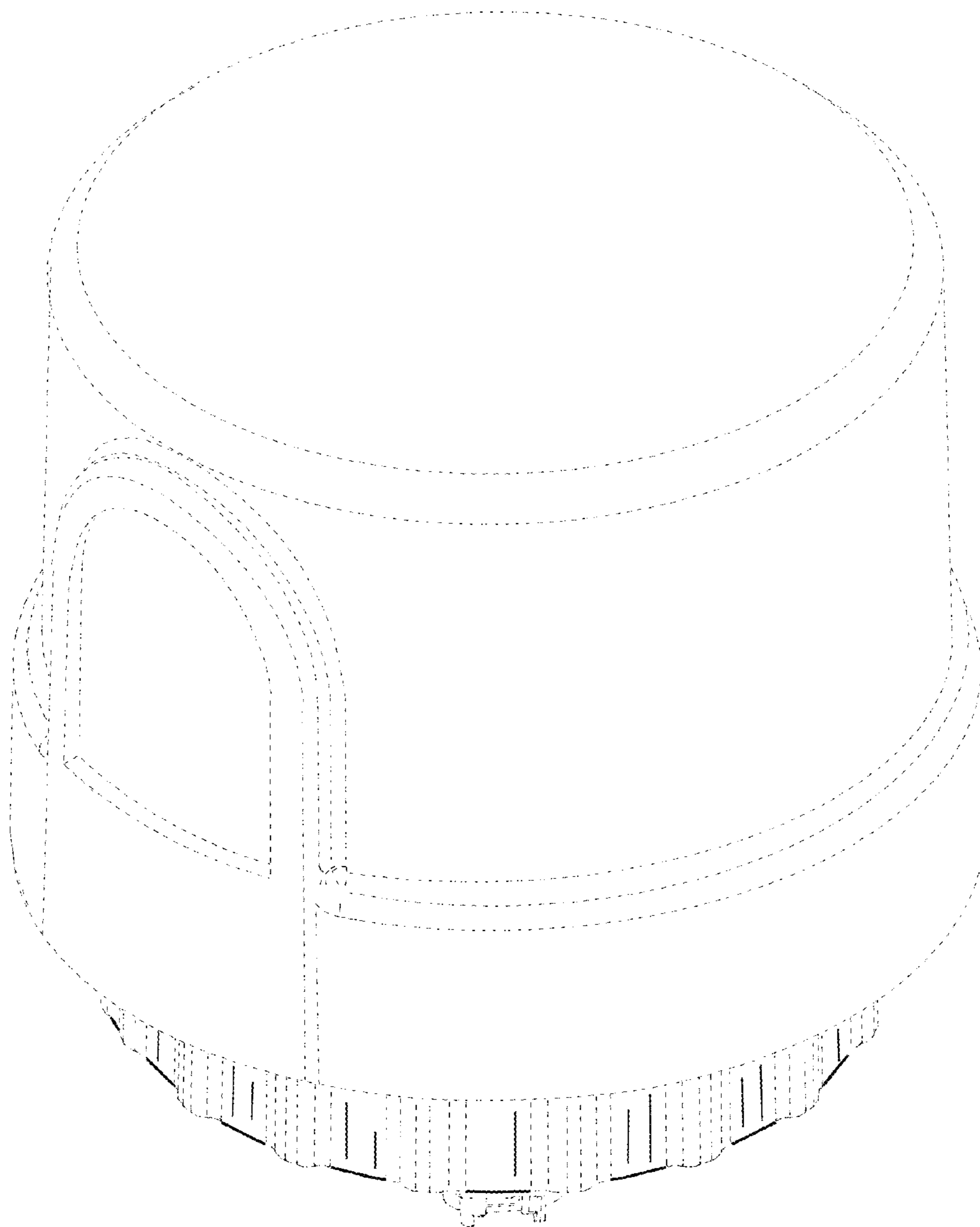


FIG. 8