



US00D750312S

(12) **United States Design Patent**
Reynolds

(10) **Patent No.:** **US D750,312 S**
(45) **Date of Patent:** **** Feb. 23, 2016**

(54) **HORTICULTURE GROW LIGHT**
(71) Applicant: **IP Holdings, LLC**, Vancouver, WA (US)
(72) Inventor: **Christopher Reynolds**, Vancouver, WA (US)
(73) Assignee: **IP Holdings, LLC**, Vancouver, WA (US)
(**) Term: **14 Years**

D456,938 S 5/2002 Wardenburg
D459,825 S 7/2002 Field
D469,564 S 1/2003 Brok
6,527,422 B1 3/2003 Hutchison
6,595,662 B2 7/2003 Wardenburg
D542,460 S 5/2007 Hargreaves
D543,652 S 5/2007 Hargreaves
D543,654 S 5/2007 Hargreaves
D544,139 S 6/2007 Hargreaves
D544,626 S 6/2007 Hargreaves
D544,983 S 6/2007 Hargreaves

(Continued)

(21) Appl. No.: **29/498,795**

(22) Filed: **Aug. 7, 2014**

(51) **LOC (10) Cl.** **26-99**

(52) **U.S. Cl.**
USPC **D26/118**

(58) **Field of Classification Search**
USPC D26/25-26, 28, 51, 55-57, 59-64, 66,
D26/72-91, 93, 113, 118-120, 122, 138,
D26/140-142; 362/145-148, 150-153,
362/153.1, 217.01, 217.02, 217.05-217.07,
362/217.1, 217.15, 218, 223, 241, 249.02,
362/296.07, 296.08, 294, 299, 311.02,
362/326-332, 341-346, 349, 362, 373, 563,
362/580, 600, 608, 609, 640, 641, 805;
D11/142, 143, 144, 155

See application file for complete search history.

(56) **References Cited**

U.S. PATENT DOCUMENTS

D106,614 S * 10/1937 Waterbury D26/91
D123,768 S 12/1940 Scribner
D135,375 S * 3/1943 Biller D26/76
3,272,978 A 9/1966 Jackson
4,531,180 A 7/1985 Hernandez
D300,877 S * 4/1989 Cyr D26/118
4,933,821 A 6/1990 Anderson
D311,597 S 10/1990 Poot
D352,126 S * 11/1994 Ruud et al. D26/67
D419,248 S * 1/2000 Lyons D26/28
6,152,579 A 11/2000 Reed et al.

OTHER PUBLICATIONS

Dominator XXXL Non AC Reflector pack of 3 Spec Sheet, GreenTreesHydroponics.com, date available Mar. 12, 2014, online. Site visited Feb. 3, 2015. Internet URL:<“https://www.hydroponics.net/i/141477”>.*

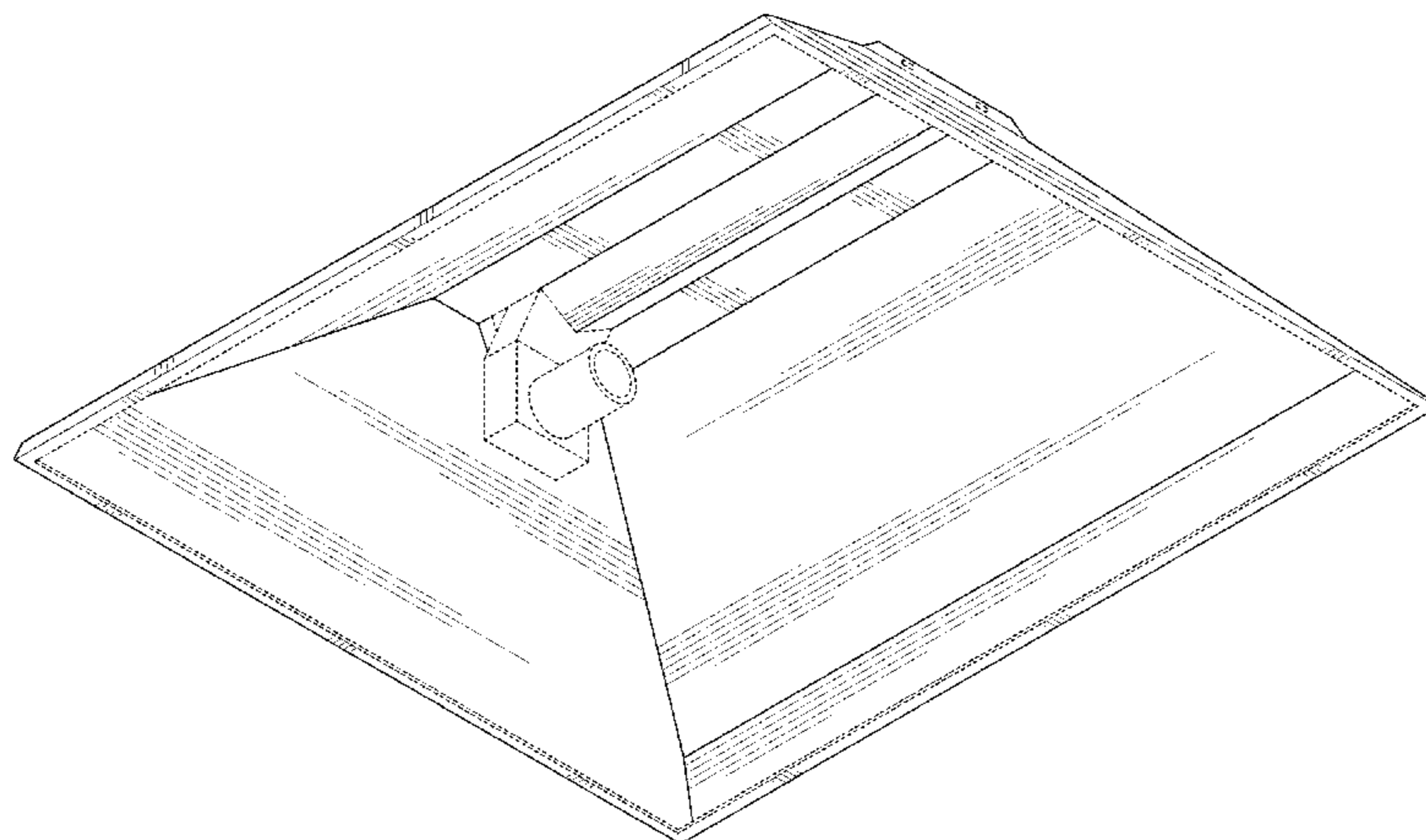
Primary Examiner — Cynthia Ramirez
Assistant Examiner — Llorellys Martinez-Rivera
(74) *Attorney, Agent, or Firm* — J. Douglas Wells

(57) **CLAIM**
The ornamental design for a horticulture grow light, as shown and described.

DESCRIPTION

FIG. 1 is a bottom perspective view of a horticulture grow light showing my new design;
FIG. 2 is a top perspective view thereof;
FIG. 3 is a left side view thereof;
FIG. 4 is a right side elevation view thereof;
FIG. 5 is a front elevation view thereof;
FIG. 6 is a rear elevation view thereof;
FIG. 7 is a top plan view thereof; and,
FIG. 8 is a bottom plan view thereof.
The broken lines in the drawings illustrate portions of the horticulture grow light which form no part of the claimed design.

1 Claim, 6 Drawing Sheets



(56)

References Cited

U.S. PATENT DOCUMENTS

D544,984 S	6/2007	Hargreaves	D634,469 S	3/2011	Hargreaves	
D544,985 S	6/2007	Hargreaves	D637,341 S *	5/2011	Wardenburg	D26/118
D544,987 S	6/2007	Hargreaves	D637,752 S	5/2011	Mehktarian	
D544,994 S	6/2007	Hargreaves	7,972,044 B2	7/2011	Burkhauser	
D544,995 S	6/2007	Hargreaves	8,209,912 B2	7/2012	Hargreaves et al.	
D545,484 S	6/2007	Hargreaves	D675,369 S	1/2013	Michaud	
D545,994 S	7/2007	Hargreaves	D678,599 S	3/2013	Boyer et al.	
7,524,090 B2	4/2009	Hargreaves	D683,064 S	5/2013	Tuck	
D603,087 S	10/2009	Mo et al.	D698,986 S *	2/2014	Reynolds	D26/118
7,641,367 B2	1/2010	Hargreaves et al.	2008/0205030 A1	8/2008	Hargreaves	
D614,801 S	4/2010	Collins et al.	2008/0205071 A1	8/2008	Townsley	
D634,060 S	3/2011	Wardenburg	2008/0278950 A1	11/2008	Pickard et al.	
D634,468 S	3/2011	Hargreaves	2009/0262540 A1	10/2009	Hargreaves et al.	
			2010/0238661 A1 *	9/2010	Pfund et al.	362/341
			2013/0250567 A1 *	9/2013	Edmond et al.	362/346

* cited by examiner

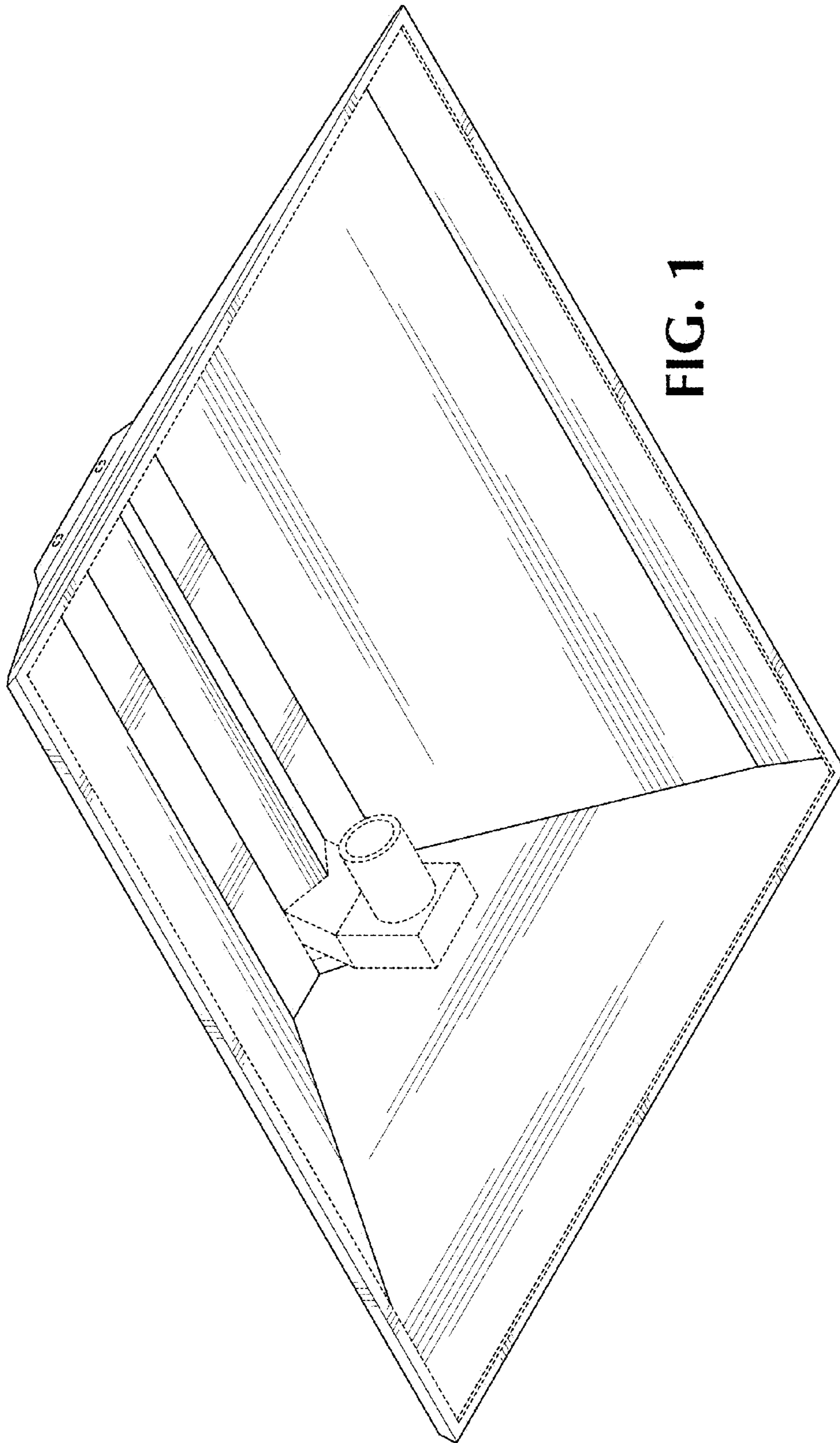


FIG. 1

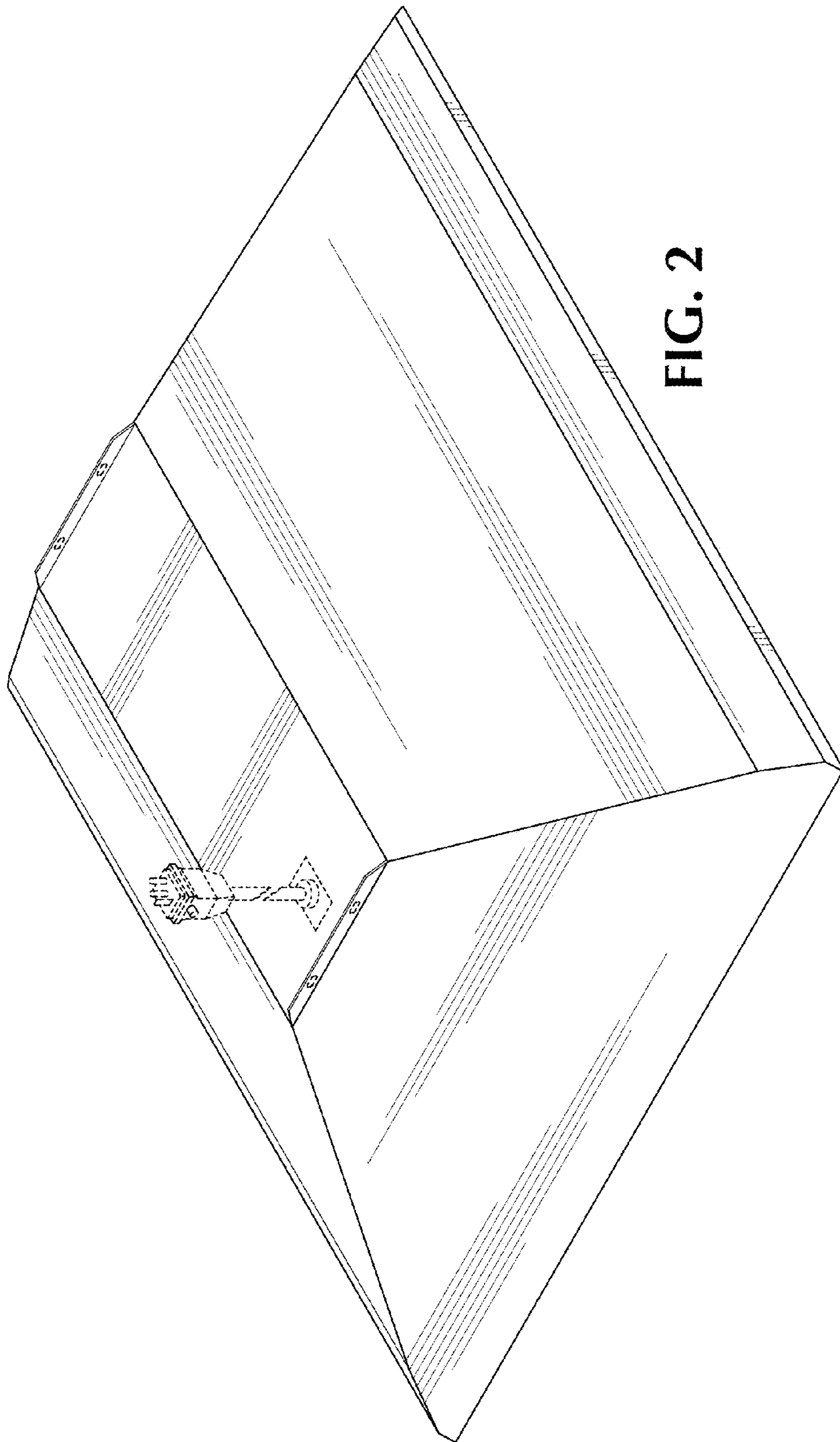
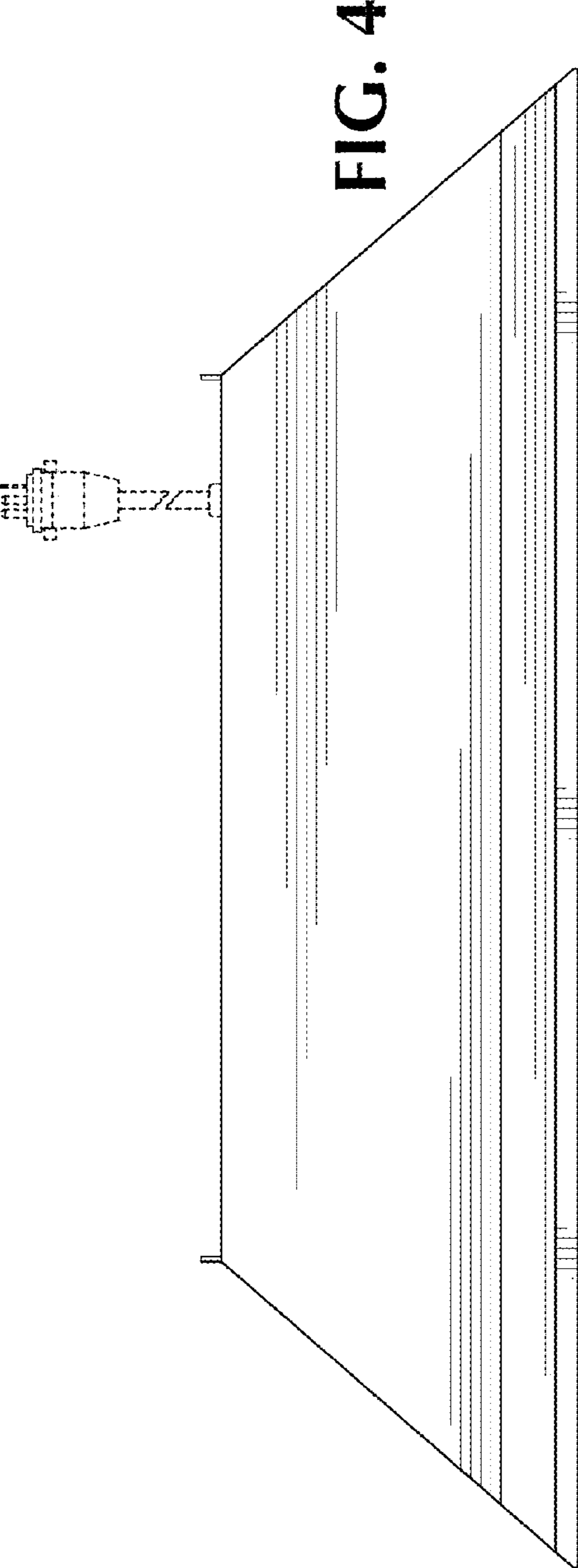
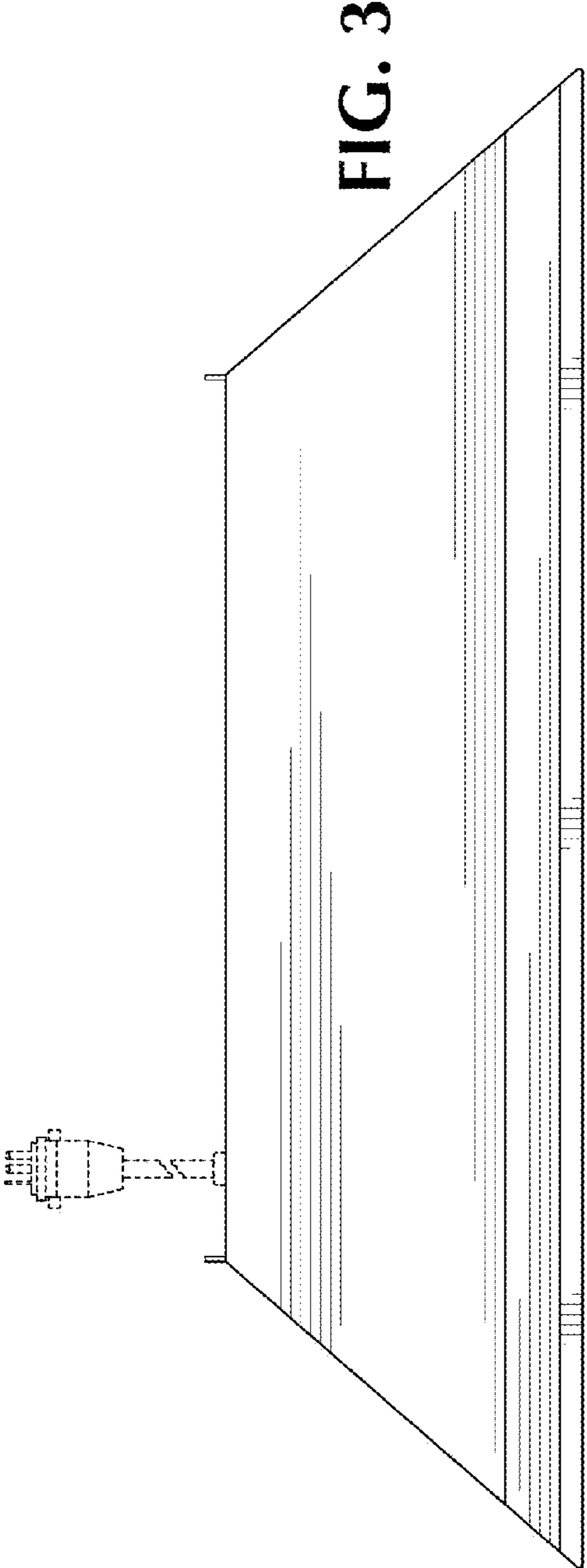


FIG. 2



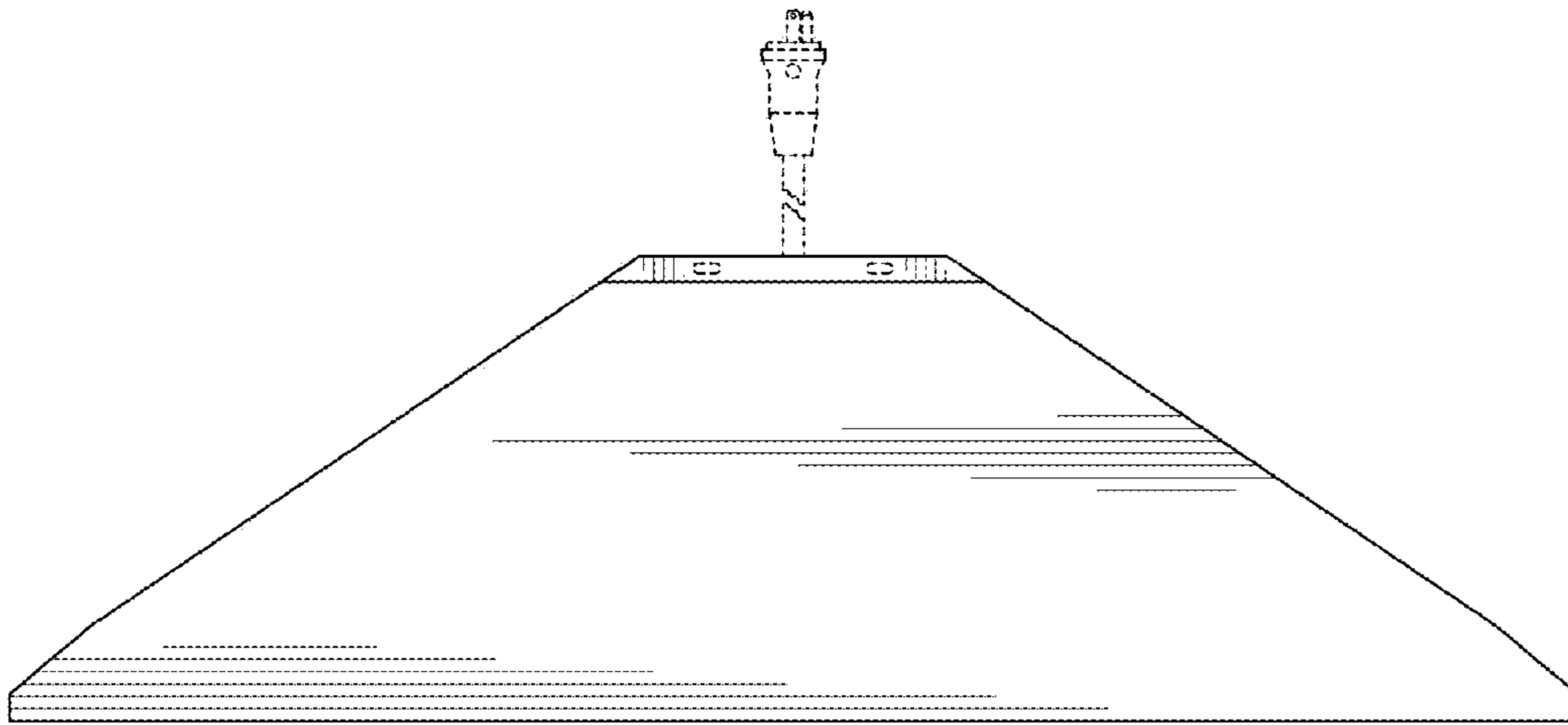


FIG. 5

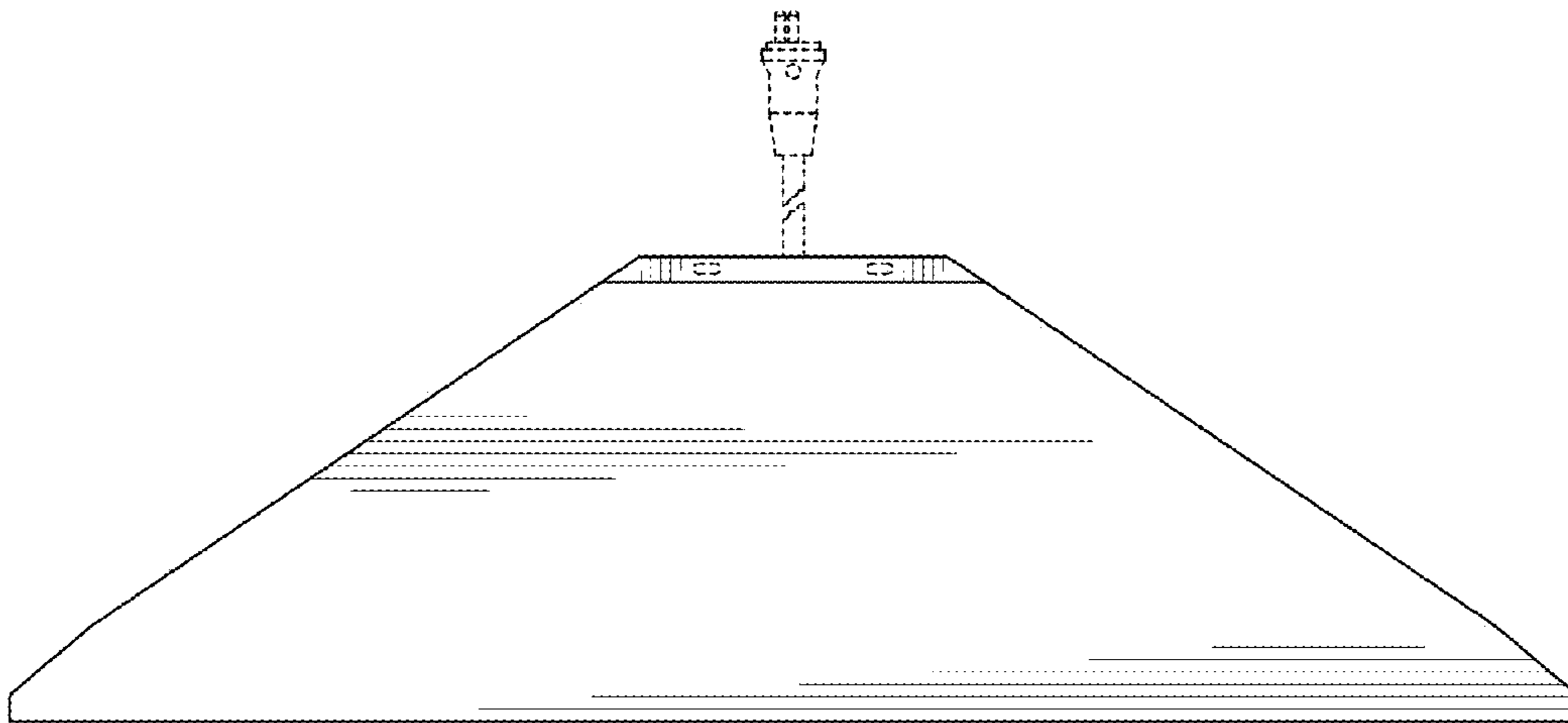


FIG. 6

FIG. 7

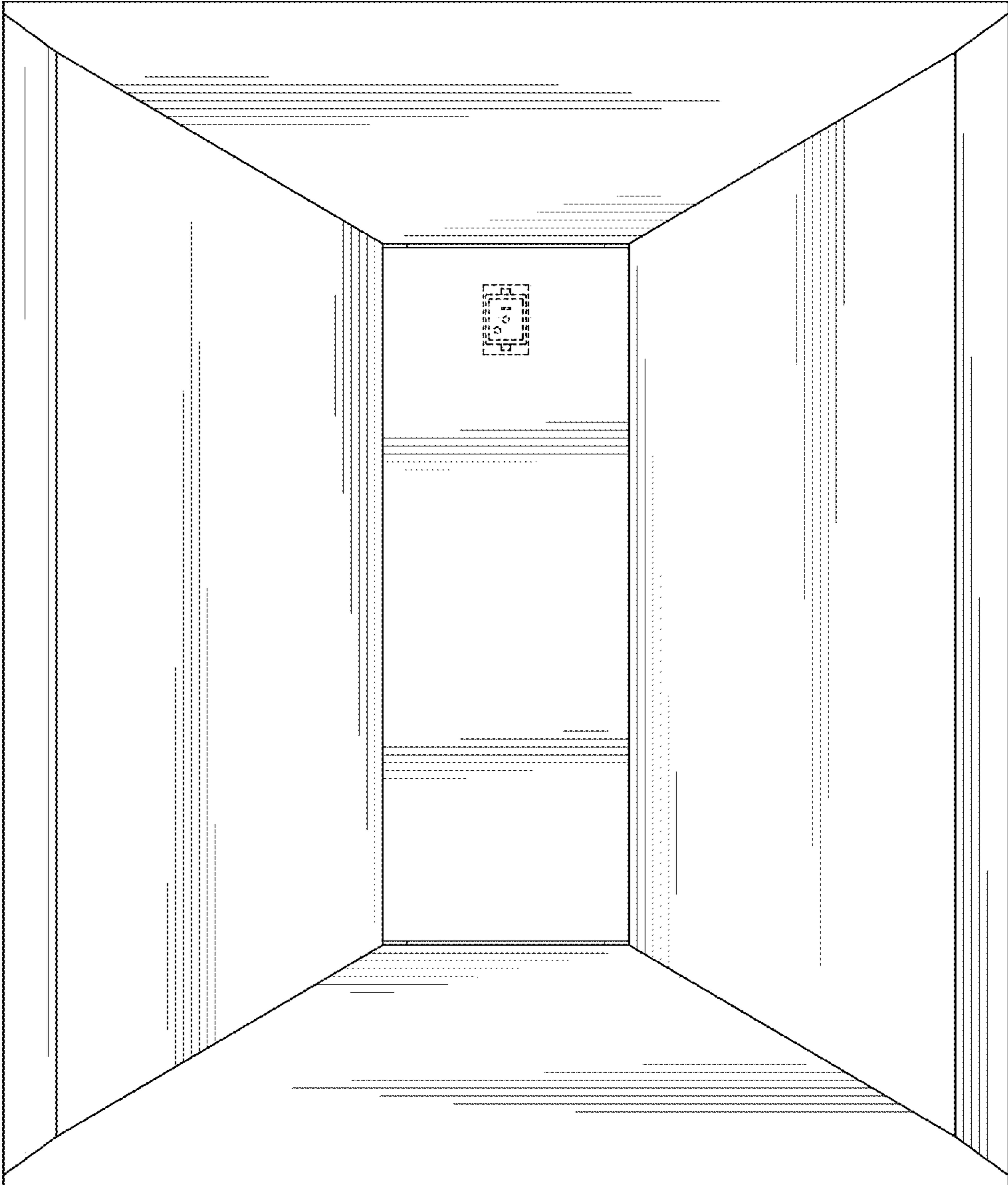


FIG. 8

