



US00D750308S

(12) **United States Design Patent**
Rodgers et al.

(10) **Patent No.:** **US D750,308 S**

(45) **Date of Patent:** **** Feb. 23, 2016**

- (54) **LINEAR SHELF LIGHT FIXTURE**
- (71) Applicant: **CREE, INC.**, Durham, NC (US)
- (72) Inventors: **Elizabeth Rodgers**, Raleigh, NC (US);
Benjamin Beck, Union Grove, WI (US);
James Bowden, Fuquay-Varina, NC (US);
Yaote Huang, Morrisville, NC (US)
- (73) Assignee: **CREE, INC.**, Durham, NC (US)
- (**) Term: **14 Years**
- (21) Appl. No.: **29/476,731**
- (22) Filed: **Dec. 16, 2013**
- (51) **LOC (10) Cl.** **26-03**
- (52) **U.S. Cl.**
USPC **D26/76**
- (58) **Field of Classification Search**
USPC D26/72, 75-78, 80, 92, 118; 362/98,
362/147, 217.01, 218, 219, 223, 260, 294,
362/373
CPC F21S 8/06; F21S 8/031; F21S 4/00;
F21Y 2101/00
See application file for complete search history.

RE34,861 E 2/1995 Davis et al.
5,690,415 A 11/1997 Krehl 362/125
5,765,939 A * 6/1998 Tanner, Jr. 362/219

(Continued)

OTHER PUBLICATIONS

Restriction Requirement from U.S. Appl. No. 13/839,130, dated Jul. 28, 2014.

(Continued)

Primary Examiner — Clare E Heflin

(74) *Attorney, Agent, or Firm* — Koppel, Patrick, Heybl & Philpott

(57) **CLAIM**

The ornamental design for a linear shelf light fixture, as shown and described.

DESCRIPTION

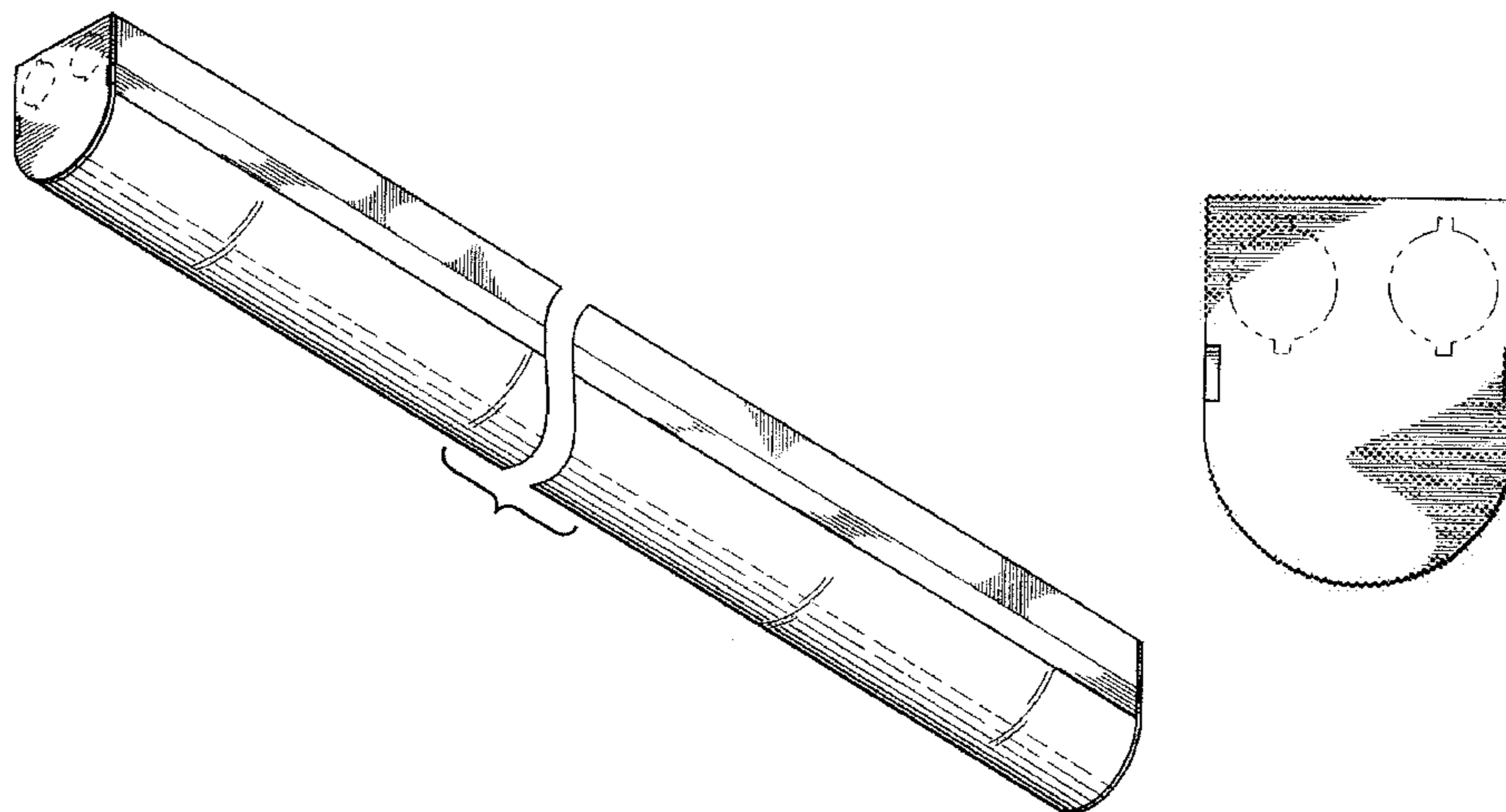
FIGS. 1A-B form a bottom perspective view of a linear shelf light fixture showing one embodiment of the new design; FIG. 2 is a right end elevation view thereof, with the left end being identical; FIGS. 3A-B form a top plan view thereof; FIGS. 4A-B form a right end elevation view thereof, with the left side being identical; FIGS. 5A-B form a bottom plan view thereof; FIG. 6 is a bottom perspective view of the linear shelf light fixture showing an alternate embodiment of the new design; FIG. 7 is a right end elevation view thereof, with the left end being identical; FIG. 8 is a top plan view thereof; FIG. 9 is a right side elevation view thereof, with the left side being identical; and, FIG. 10 is a bottom plan view thereof. Elements of the fixtures in FIGS. 1A, 3A-B, 6, 7 and 8 shown in broken lines represent portions of the light fixture that form no part of the claimed design. The use of break lines in FIGS. 6 and 8-10 indicates that the appearance of any portion of the fixture between the break line forms no part of the claimed design.

1 Claim, 6 Drawing Sheets

(56) **References Cited**

U.S. PATENT DOCUMENTS

- D127,823 S * 6/1941 Biller D26/78
- D130,059 S * 10/1941 Herr D26/78
- D145,700 S * 10/1946 Robboy D26/78
- 2,505,864 A * 5/1950 Kelman 362/217.16
- D163,762 S * 6/1951 McCann D26/76
- 2,595,520 A * 5/1952 Guerin 362/260
- 2,618,676 A * 11/1952 Howard 362/260
- D206,286 S * 11/1966 Ostyn D26/76
- 4,946,547 A 8/1990 Palmour et al.
- D330,269 S * 10/1992 Hong D26/76
- 5,200,022 A 4/1993 Kong et al.



(56)

References Cited

U.S. PATENT DOCUMENTS

5,823,663	A	10/1998	Bell et al.	
5,951,150	A	9/1999	Helstern	362/293
D438,326	S *	2/2001	Kan	D26/76
6,210,025	B1	4/2001	Schmidt et al.	
6,350,041	B1	2/2002	Tarsa et al.	
6,536,924	B2	3/2003	Segretto	362/345
6,667,451	B1	12/2003	Hart	200/314
6,739,734	B1	5/2004	Hulgan	362/243
D496,486	S *	9/2004	Kan	D26/76
D502,565	S *	3/2005	Hetfield	D26/76
6,914,194	B2	7/2005	Fan	
7,213,940	B1	5/2007	Van de Ven et al.	
7,217,023	B2	5/2007	Iwasa et al.	362/555
D550,885	S *	9/2007	Crosby	D26/76
7,282,728	B2 *	10/2007	Culbert	250/504 R
7,387,410	B2	6/2008	Sibout	362/375
D593,698	S *	6/2009	Noh	D26/76
7,540,627	B2	6/2009	Handsaker	362/225
D604,447	S *	11/2009	Klaus	D26/76
7,628,506	B2	12/2009	Verfuert et al.	362/218
7,654,703	B2	2/2010	Kan et al.	362/362
7,722,220	B2	5/2010	Van de Ven et al.	
7,758,207	B1	7/2010	Zhou et al.	362/218
7,791,061	B2	9/2010	Edmond et al.	
D627,905	S *	11/2010	Swafford et al.	D26/24
8,058,088	B2	11/2011	Cannon et al.	
D655,031	S *	2/2012	Ng et al.	D26/80
8,206,004	B2	6/2012	Serak et al.	362/217
8,313,212	B1	11/2012	Mayer et al.	362/219
8,317,369	B2	11/2012	McCanless	362/368
8,376,578	B2	2/2013	Kong,II	362/241
8,459,824	B1	6/2013	Esmailzadeh et al.	362/147
8,476,836	B2	7/2013	Van de Ven et al.	
8,523,383	B1	9/2013	Grigore et al.	362/221
8,764,220	B2	7/2014	Chan et al.	362/217.02
2004/0240214	A1	12/2004	Whitlow et al.	362/373
2005/0146867	A1	7/2005	Kassay et al.	362/217
2006/0050505	A1	3/2006	McCarthy et al.	362/219
2007/0158668	A1	7/2007	Tarsa et al.	
2007/0274067	A1 *	11/2007	Sloan et al.	362/219
2008/0128723	A1	6/2008	Pang	
2008/0173884	A1	7/2008	Chitnis et al.	
2008/0179611	A1	7/2008	Chitnis et al.	
2008/0258130	A1	10/2008	Bergmann et al.	
2008/0314944	A1	12/2008	Tsai et al.	224/331
2009/0040782	A1	2/2009	Liu et al.	382/555
2009/0046457	A1	2/2009	Everhart	362/235
2009/0161356	A1	6/2009	Negley et al.	362/231
2009/0184333	A1	7/2009	Wang et al.	
2009/0207602	A1	8/2009	Reed et al.	362/225
2009/0212304	A1	8/2009	Wang et al.	
2009/0224265	A1	9/2009	Wang et al.	
2009/0290345	A1	11/2009	Shaner	362/249.01
2009/0290348	A1	11/2009	Van Laanen et al.	362/249
2009/0296381	A1	12/2009	Dubord	362/218
2010/0142205	A1	6/2010	Bishop	362/249.02
2010/0155763	A1	6/2010	Donofrio et al.	
2010/0171404	A1	7/2010	Liu et al.	313/46
2010/0214770	A1	8/2010	Anderson	362/133
2010/0214785	A1	8/2010	Chen	362/267
2010/0220469	A1	9/2010	Ivey et al.	362/218
2010/0328945	A1	12/2010	Song et al.	362/240
2011/0007514	A1	1/2011	Sloan et al.	362/368
2011/0013400	A1	1/2011	Kanno et al.	
2011/0028006	A1	2/2011	Shah et al.	439/39
2011/0163683	A1	7/2011	Steele et al.	315/192
2011/0211330	A1	9/2011	Wang	362/20
2011/0222270	A1	9/2011	Porciatti	

2011/0285314	A1	11/2011	Carney et al.	315/294
2011/0286207	A1	11/2011	Chan et al.	362/217.1
2011/0310604	A1	12/2011	Shimizu et al.	362/235
2012/0002408	A1	1/2012	Lichten et al.	362/218
2012/0051041	A1	3/2012	Edmond	362/231
2012/0075857	A1	3/2012	Verbrugh	362/249
2012/0081883	A1	4/2012	Wang	362/101
2012/0120666	A1	5/2012	Moeller	362/308
2012/0169234	A1	7/2012	Shew	315/88
2012/0218757	A1	8/2012	Gill	362/235
2012/0235199	A1	9/2012	Andrews et al.	
2013/0050998	A1	2/2013	Chu et al.	362/218
2013/0094225	A1	4/2013	Leichner	362/368
2013/0271979	A1	10/2013	Pearson et al.	362/235
2013/0279180	A1	10/2013	Pearson et al.	362/371
2013/0329425	A1	12/2013	Lowes et al.	
2014/0265809	A1	9/2014	Hussell	

OTHER PUBLICATIONS

Office Action from U.S. Appl. No. 13/839,130, dated Sep. 25, 2014.
Office Action from U.S. Appl. No. 13/829,558, dated Sep. 30, 2014.
Office Action from U.S. Appl. No. 29/450,283, dated Nov. 5, 2014.
Office Action from U.S. Appl. No. 29/449,316, dated Nov. 26, 2014.
Office Action from U.S. Appl. No. 13/840,812, dated Nov. 28, 2014.
Office Action from U.S. Appl. No. 13/763,270, dated Oct. 3, 2014.
U.S. Appl. No. 13/649,052, filed Oct. 10, 2012, Lowes, et al.
U.S. Appl. No. 13/649,067, filed Oct. 10, 2012, Lowes, et al.
U.S. Appl. No. 13/770,089, filed Feb. 19, 2013, Lowes, et al.
U.S. Appl. No. 13/782,820, filed Mar. 1, 2013, Dixon, et al.
U.S. Appl. No. 12/873,303, filed Aug. 31, 2010, Edmond, et al.
U.S. Appl. No. 13/345,215, filed Jan. 6, 2012, Lu, et al.
U.S. Appl. No. 13/442,311, filed Apr. 9, 2012, Lu, et al.
U.S. Appl. No. 12/463,709, filed May 11, 2009, Donofrio, et al.
U.S. Appl. No. 11/656,759, filed Jan. 22, 2007, Chitnis, et al.
U.S. Appl. No. 11/899,780, filed Sep. 7, 2007, Chitnis et al.
U.S. Appl. No. 13/830,698, filed Mar. 14, 2013, Durkee, et al.
U.S. Appl. No. 29/462,422, filed Aug. 2, 2013, Lay, et al.
U.S. Appl. No. 11/473,089, filed Mar. 21, 2006, Tarasa, et al.
U.S. Appl. No. 13/018,291, filed Jan. 31, 2011, Tong, et al.
U.S. Appl. No. 13/671,089, filed Nov. 7, 2012, Hussell, et al.
U.S. Appl. No. 13/662,618, filed Oct. 29, 2012, Athalye, et al.
U.S. Appl. No. 13/462,388, filed Aug. 10, 2011, Athalye, et al.
U.S. Appl. No. 13/207,204, filed Aug. 10, 2011, Athalye, et al.
Cree XLamp XH-G. Information Data Sheet, from www.cree.com/xlamp, 11 pages.
Cree CS18 8' LED Linear Luminaire from Cree, www.cree.com/lighting, 2 pages.
Office Action from U.S. Appl. No. 29/449,316, dated Jun. 5, 2014.
Office Action from U.S. Appl. No. 13/842,150, dated Jun. 18, 2014.
Leviton LED Magnetic Tube Retrofit Series datasheet, 1 page, from www.leviton.com, Jan. 2014.
Office Action from U.S. Appl. No. 13/672,592, dated Jan. 7, 2015.
Office Action from U.S. Appl. No. 13/899,314, dated Jan. 15, 2015.
Office Action from U.S. Appl. No. 13/842,150, dated Jan. 22, 2015.
Office Action from U.S. Appl. No. 13/829,558, dated Mar. 9, 2015.
Office Action from U.S. Appl. No. 13/958,462, dated Mar. 10, 2015.
Office Action from U.S. Appl. No. 13/834,605, dated Apr. 9, 2015.
Office Action from U.S. Appl. No. 13/840,812, dated May 12, 2015.
Office Action from U.S. Appl. No. 13/910,486, dated May 7, 2015.
Office Action from U.S. Appl. No. 13/763,270, dated May 19, 2015.
Office Action from U.S. Appl. No. 13/899,314, dated Jul. 29, 2015.
Response to OA from U.S. Appl. No. 13/899,314, filed Sep. 15, 2015.
Office Action from U.S. Appl. No. 13/672,592, dated Aug. 6, 2015.
Response to OA from U.S. Appl. No. 13/672,592, filed Sep. 21, 2015.
Office Action from U.S. Appl. No. 13/842,150, dated Aug. 10, 2015.
Office Action from U.S. Appl. No. 13/829,558, dated Sep. 11, 2015.

* cited by examiner

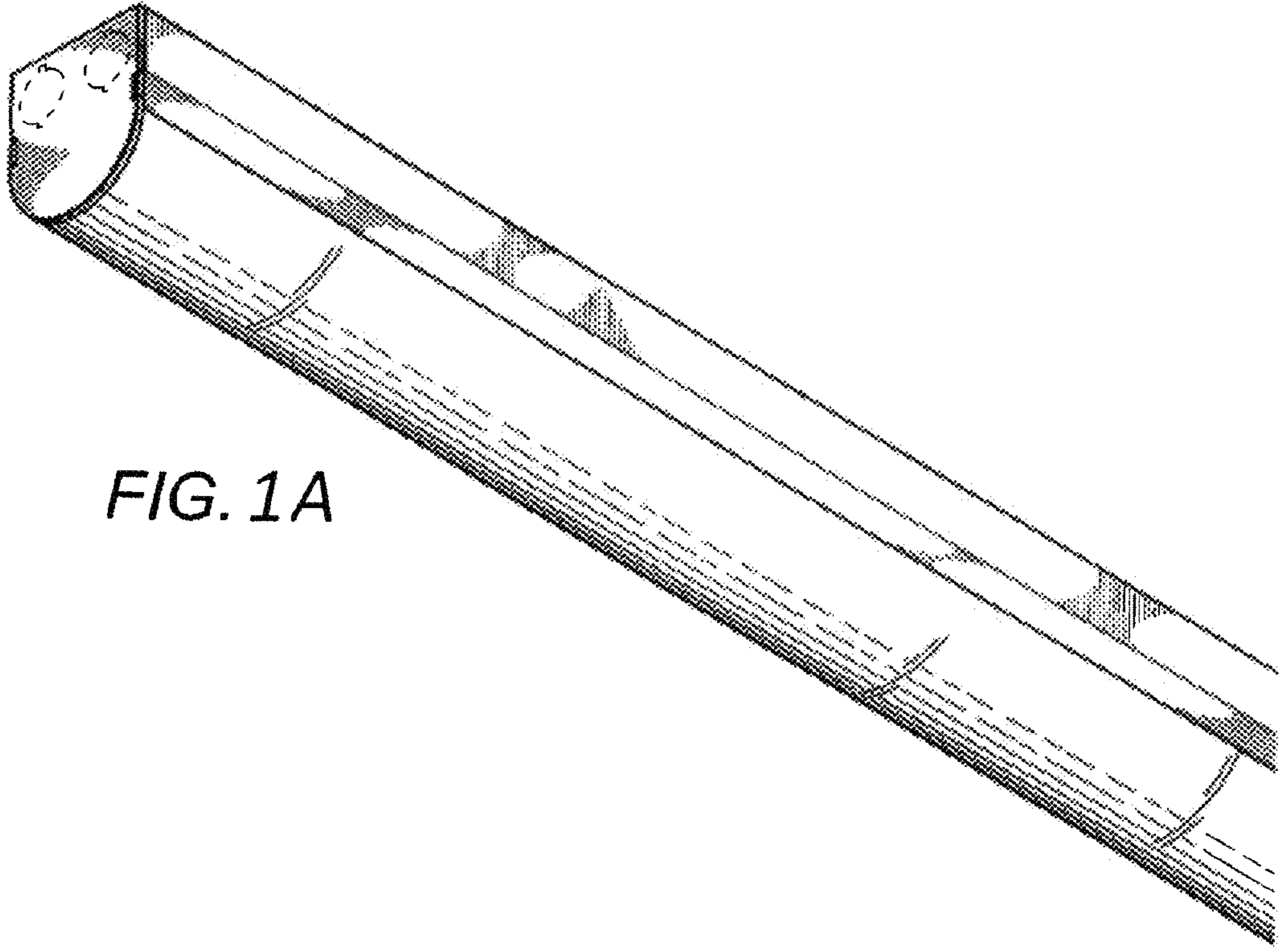


FIG. 1A

FIG. 2

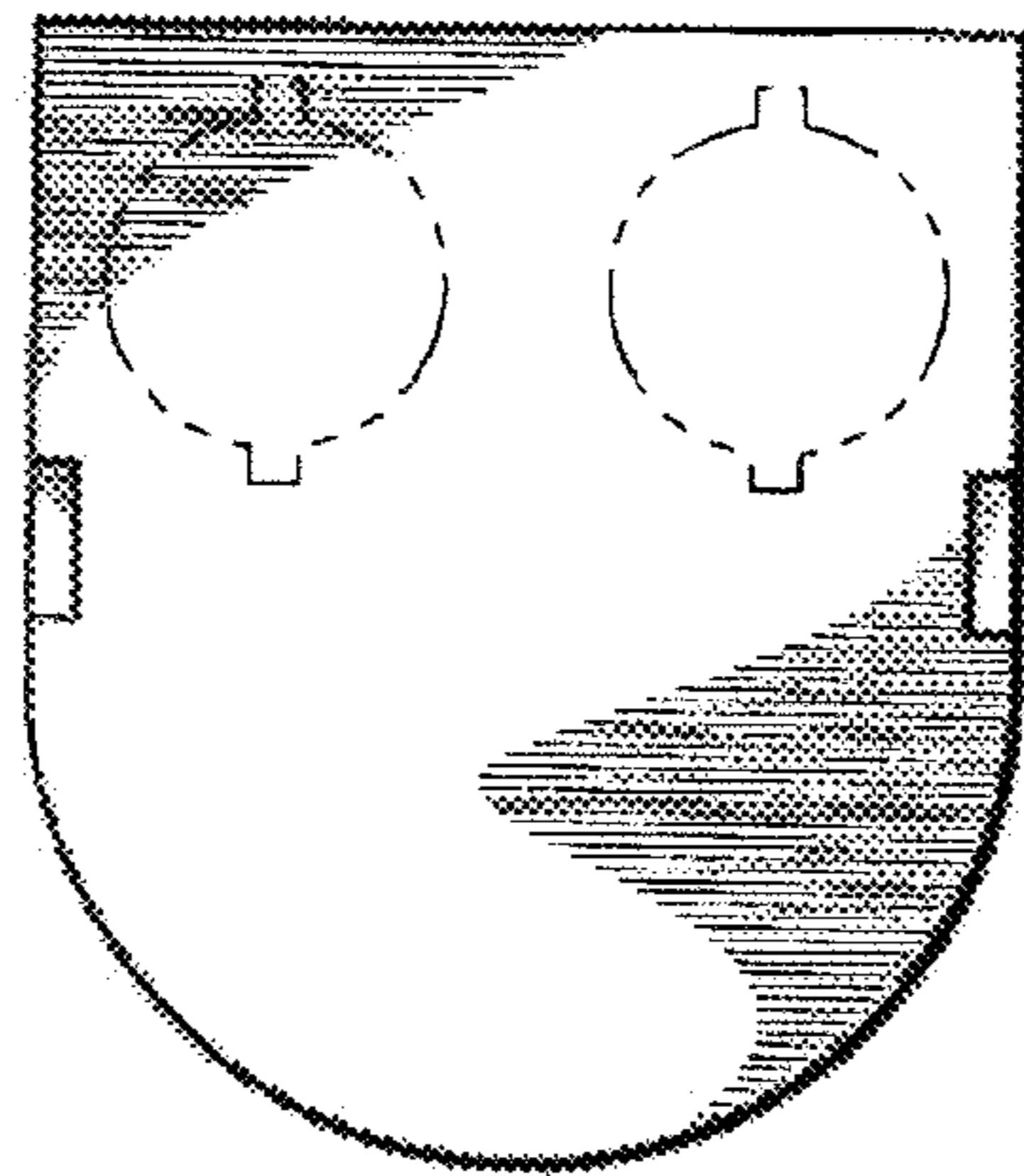
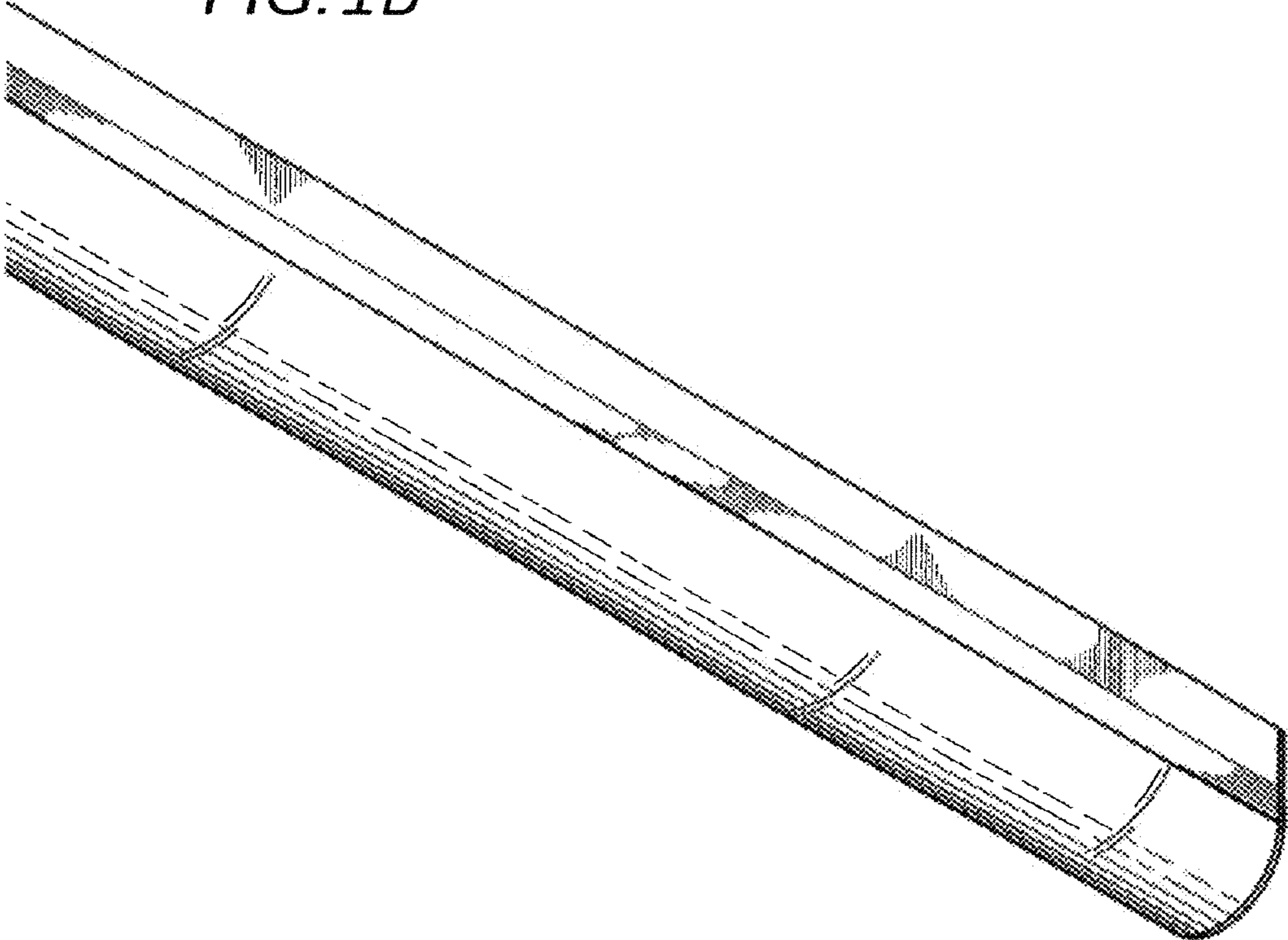


FIG. 1B



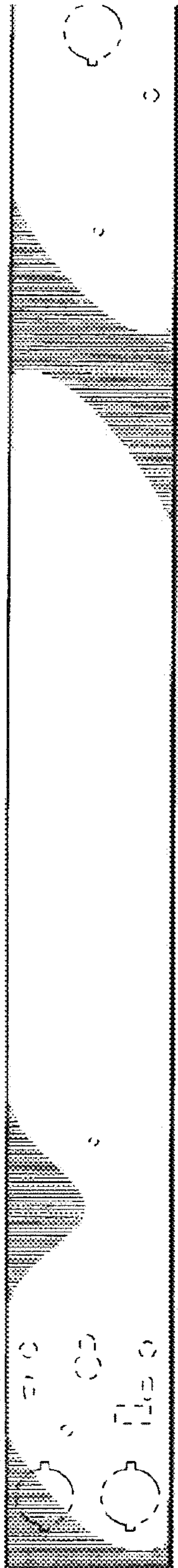


FIG. 3A

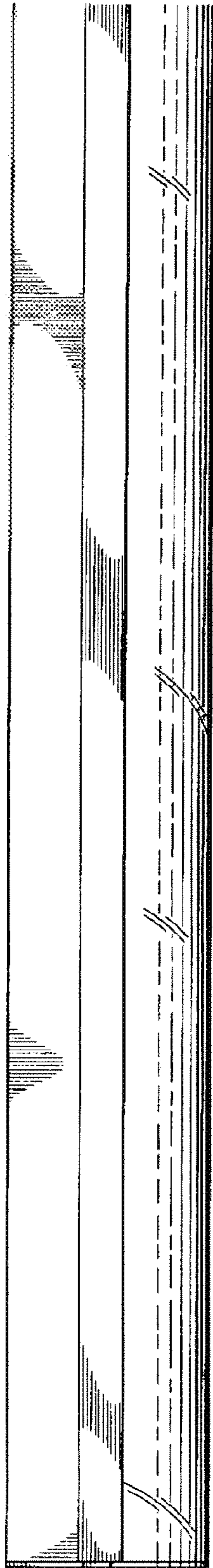
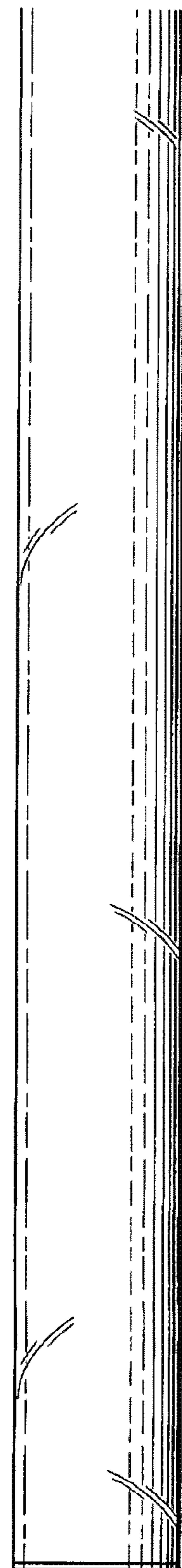


FIG. 4A

FIG. 5A



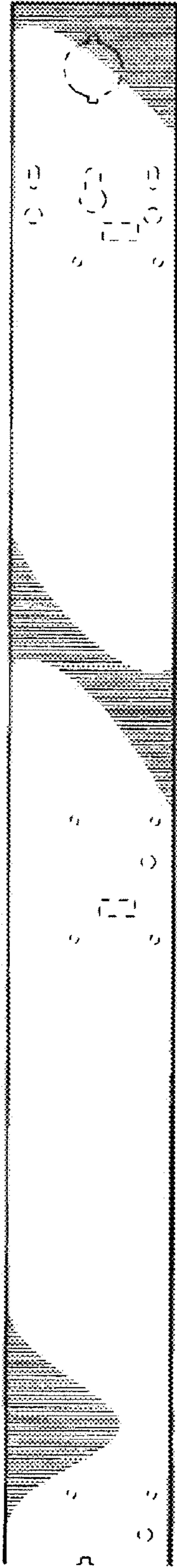


FIG. 3B

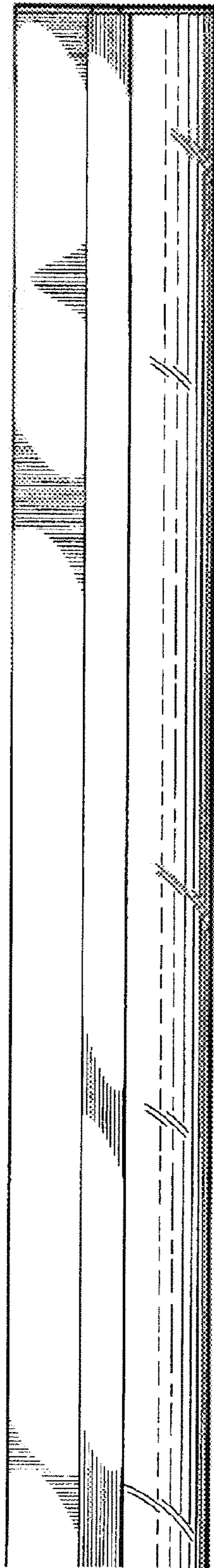


FIG. 4B

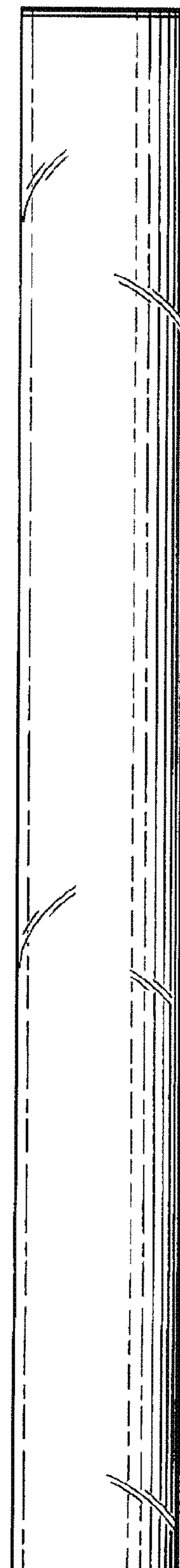


FIG. 5B

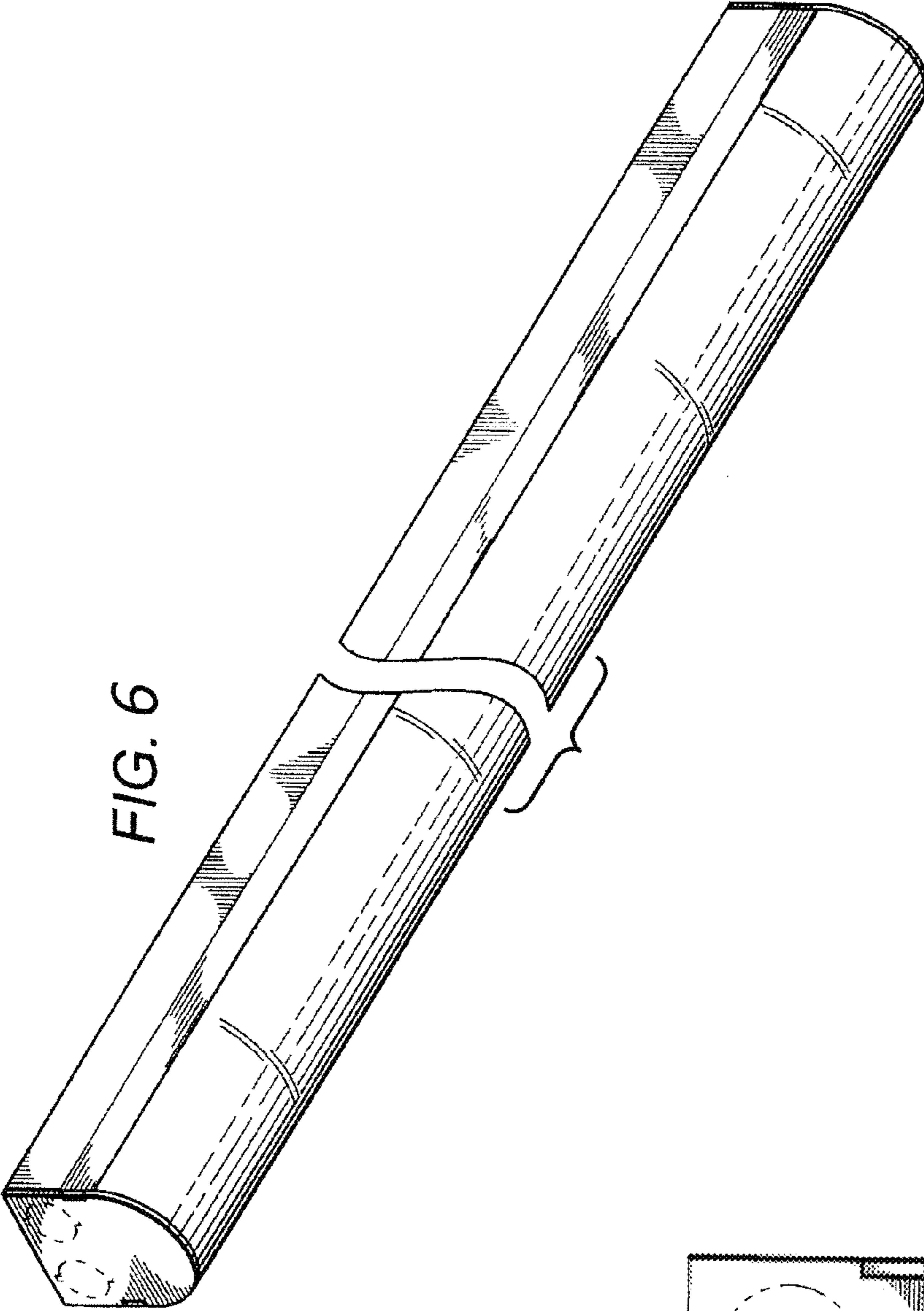


FIG. 6

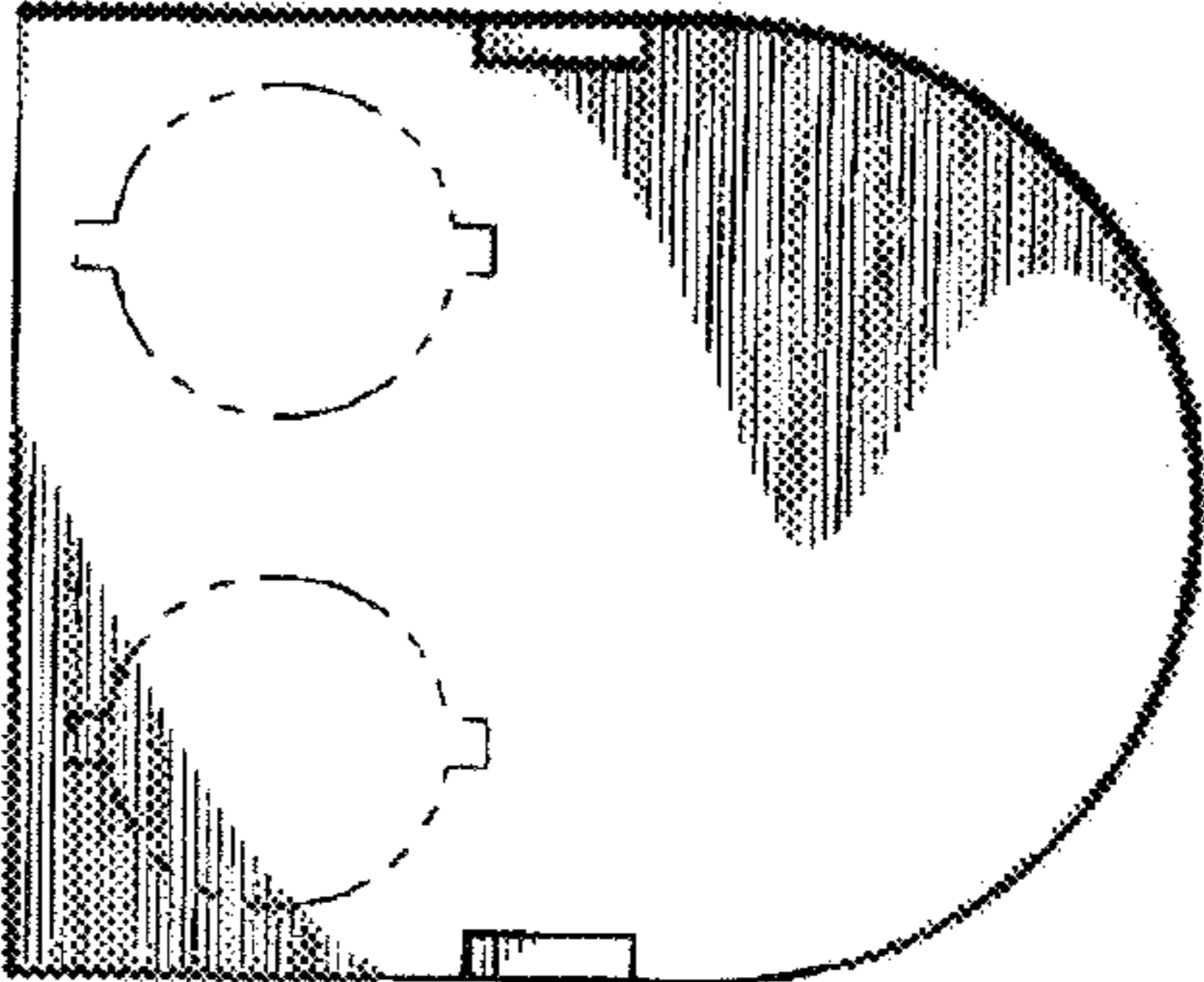


FIG. 7

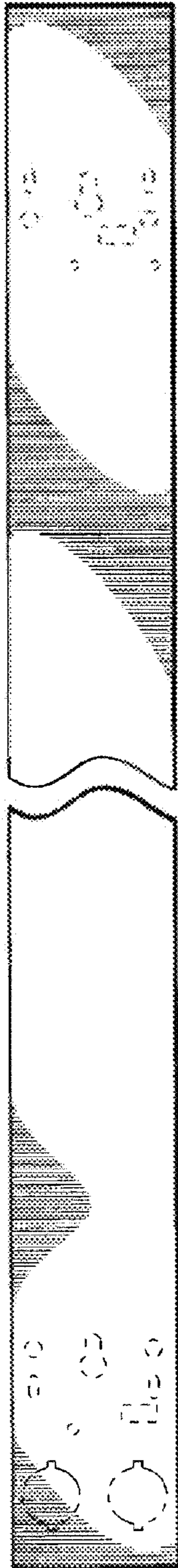


FIG. 8

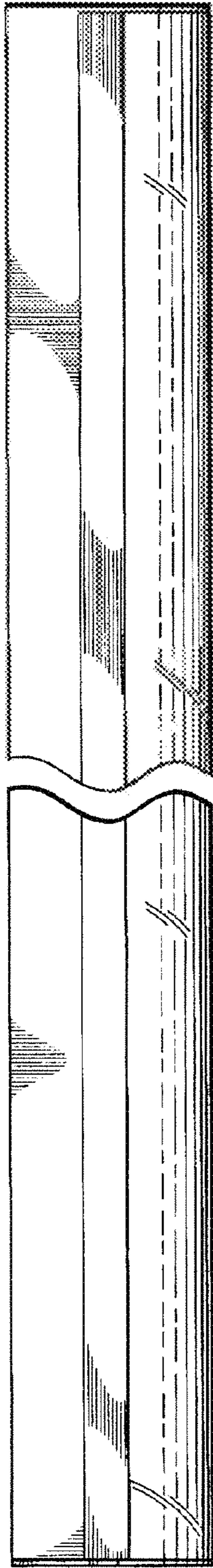


FIG. 9

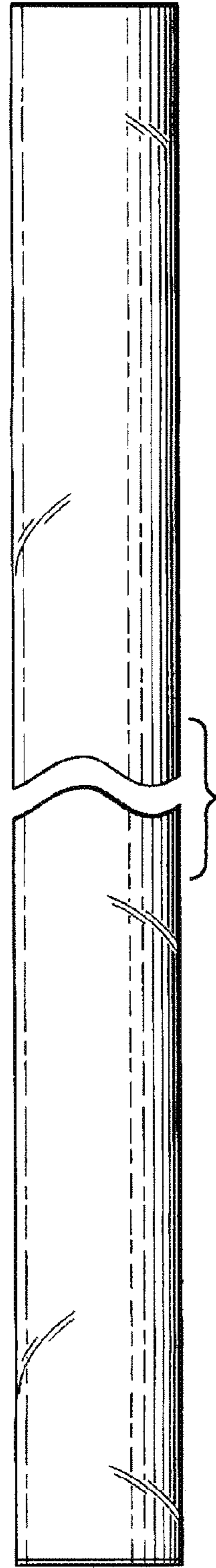


FIG. 10