



US00D750305S

(12) **United States Design Patent**
Sheikh et al.

(10) **Patent No.:** **US D750,305 S**
(45) **Date of Patent:** **** Feb. 23, 2016**

(54) **COMBINATION FLASHLIGHT AND STUN GUN**

(71) Applicants: **Yasar Sheikh**, Sanford, FL (US);
Shabbir Sheikh, Sanford, FL (US)

(72) Inventors: **Yasar Sheikh**, Sanford, FL (US);
Shabbir Sheikh, Sanford, FL (US)

(**) Term: **14 Years**

(21) Appl. No.: **29/506,546**

(22) Filed: **Oct. 16, 2014**

(51) **LOC (10) Cl.** **26-02**

(52) **U.S. Cl.**
USPC **D26/38**

(58) **Field of Classification Search**

USPC D26/37-50; 362/171-174, 183-208
CPC F21V 33/00; F21V 14/025; F21V 21/406;
F21Y 2101/02; F21L 2003/00; F21L 2005/00;
F21L 2/00; F21L 4/00; F21L 4/005; F21L
17/00; F21L 13/08

See application file for complete search history.

(56) **References Cited**

U.S. PATENT DOCUMENTS

4,968,034 A 11/1990 Hsieh
D375,372 S * 11/1996 Allen D26/37

(Continued)

OTHER PUBLICATIONS

<http://www.thehomesecuritysuperstore.com/zap-stun-guns-zaplight-extreme-flashlight-1m-zaple-p=2944>.

(Continued)

Primary Examiner — Marcus Jackson

(74) *Attorney, Agent, or Firm* — QuickPatents; Kevin Prince

(57) **CLAIM**

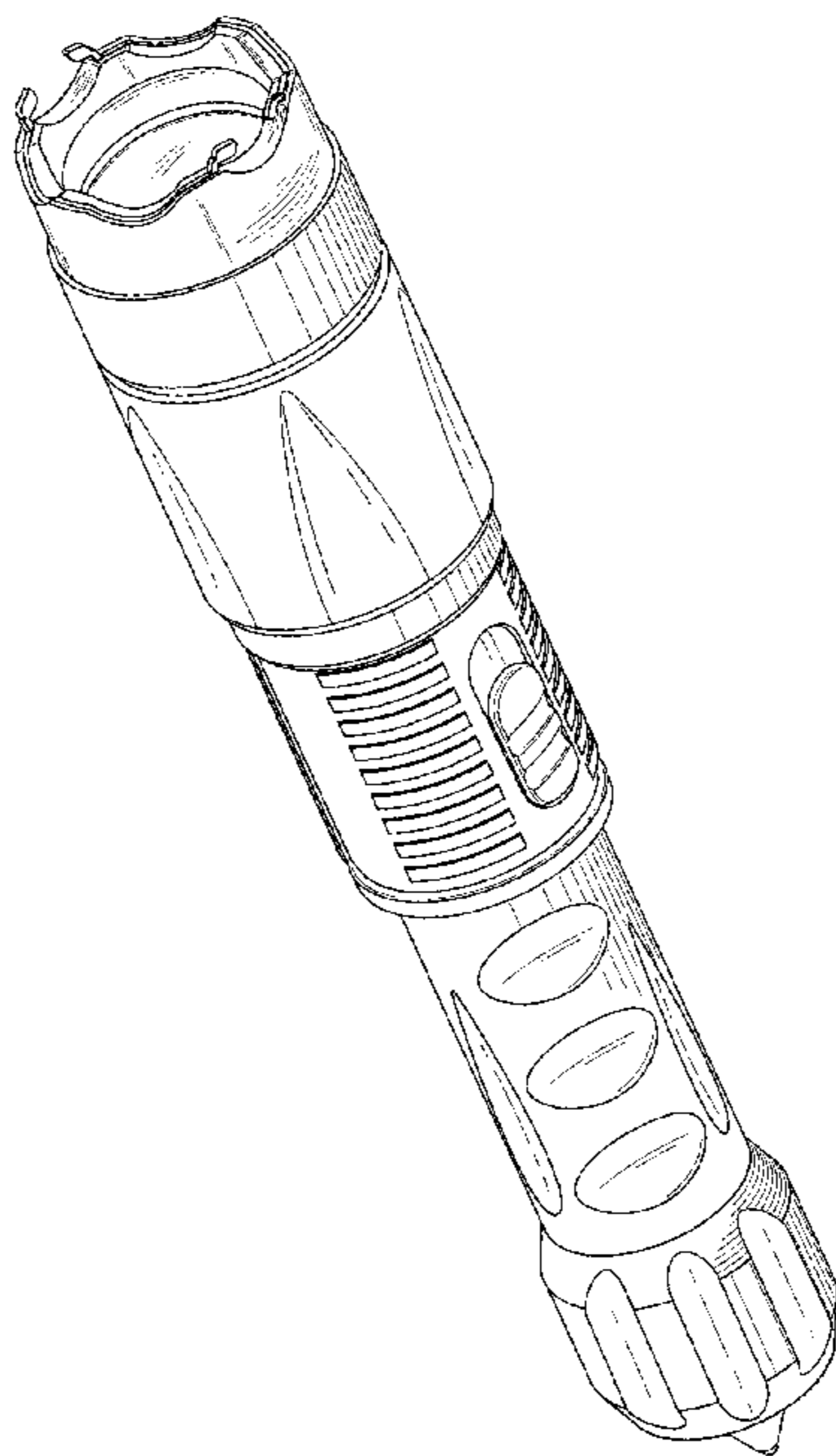
We claim the ornamental design for a combination flashlight and stun gun, as shown and described.

DESCRIPTION

FIG. 1 is a front perspective view of a combination flashlight and stun gun, showing a first embodiment of our new design; FIG. 2 is a rear perspective view of FIG. 1; FIG. 3 is a front elevational view of FIG. 1; FIG. 4 is a rear elevational view of FIG. 1; FIG. 5 is a right-side elevational view of FIG. 1; FIG. 6 is a left-side elevational view of FIG. 1; FIG. 7 is a top plan view of FIG. 1; FIG. 8 is a bottom plan view of FIG. 1; FIG. 9 is a front perspective view of a second embodiment thereof; FIG. 10 is a front elevational view of FIG. 9; FIG. 11 is a right-side elevational view of FIG. 9; FIG. 12 is a left-side elevational view of FIG. 9; FIG. 13 is a top plan view of FIG. 9; FIG. 14 is a bottom plan view of FIG. 9; FIG. 15 is a front perspective view of a third embodiment thereof; FIG. 16 is a front elevational view of FIG. 15; FIG. 17 is a right-side elevational view of FIG. 15; FIG. 18 is a left-side elevational view of FIG. 15; and FIG. 19 is a top plan view of FIG. 15; and, FIG. 20 is a bottom plan view of FIG. 15.

The broken lines showing electrodes in the drawings depict environmental matter, and form no part of the claimed design. It is understood that the rear elevational views for all embodiments are identical.

1 Claim, 10 Drawing Sheets



(56)

References Cited

U.S. PATENT DOCUMENTS

D425,226 S * 5/2000 Galli D26/37
 D513,334 S 12/2005 Galey
 D532,138 S * 11/2006 Wang D26/49
 D541,454 S 4/2007 Galey
 7,278,764 B2 10/2007 Kim
 D565,769 S 4/2008 Shiu
 D577,845 S * 9/2008 Shiu D26/49
 D578,236 S 10/2008 Dalton
 D585,577 S 1/2009 Bonis
 D586,025 S 2/2009 Bonis
 D595,439 S 6/2009 Haight et al.
 D599,928 S * 9/2009 Shiu D26/49
 D601,736 S 10/2009 Swan
 D603,988 S 11/2009 Sharrah
 D611,115 S 3/2010 Pennington
 D629,542 S 12/2010 Robinson

D629,544 S 12/2010 Deguglimo et al.
 D629,546 S 12/2010 Deguglimo et al.
 D646,346 S 10/2011 Rae
 D647,232 S * 10/2011 Liu D26/49
 D647,654 S * 10/2011 Li D26/49
 D648,467 S 11/2011 Nguyen et al.
 D649,670 S 11/2011 Robinson
 D666,344 S 8/2012 Lee
 D671,249 S * 11/2012 Sheikh D26/38
 D674,943 S * 1/2013 Sheikh D22/117
 D724,247 S * 3/2015 Chouprinov D22/117

OTHER PUBLICATIONS

http://www.amazon.com/Taser-Strikelight-Tm-Flashlight/dp/B00DUZ0UNE/ref=pd_sxp_f_pt.
<http://jerkthetrigger.com/2013/07/22/limited-edition-elzetta-zfl-m60-giveaway/>.

* cited by examiner

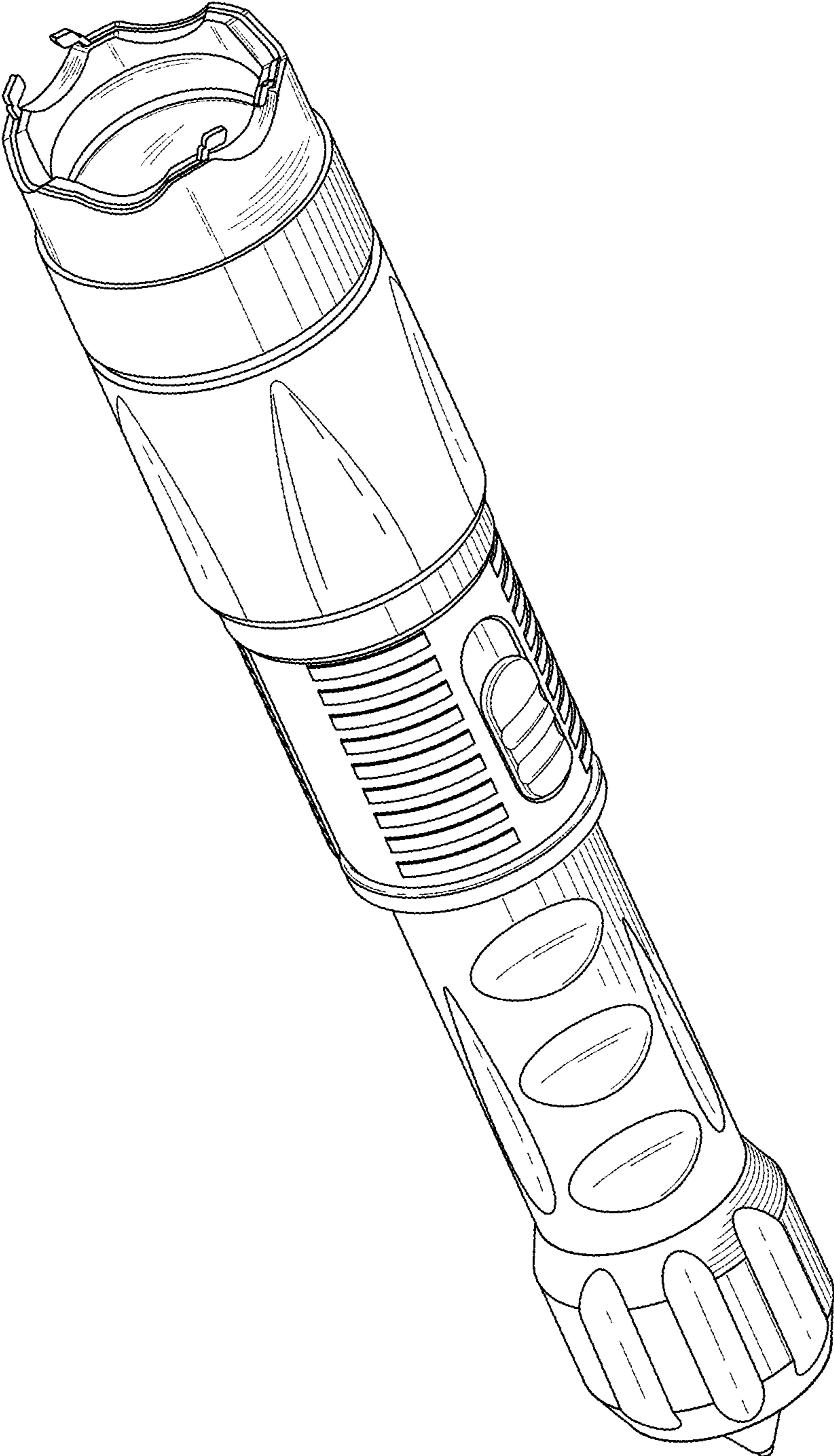


FIG. 1

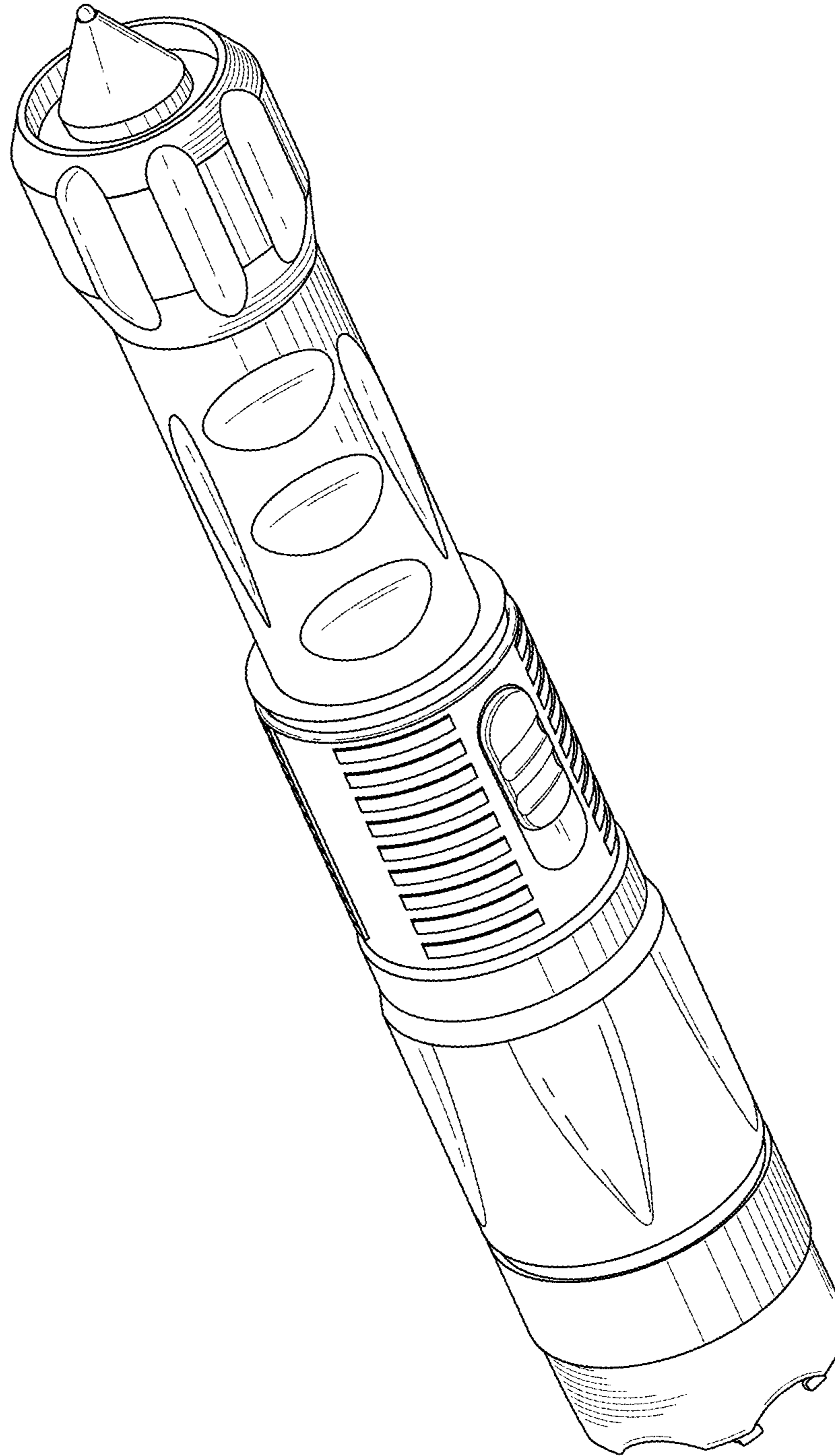


FIG. 2

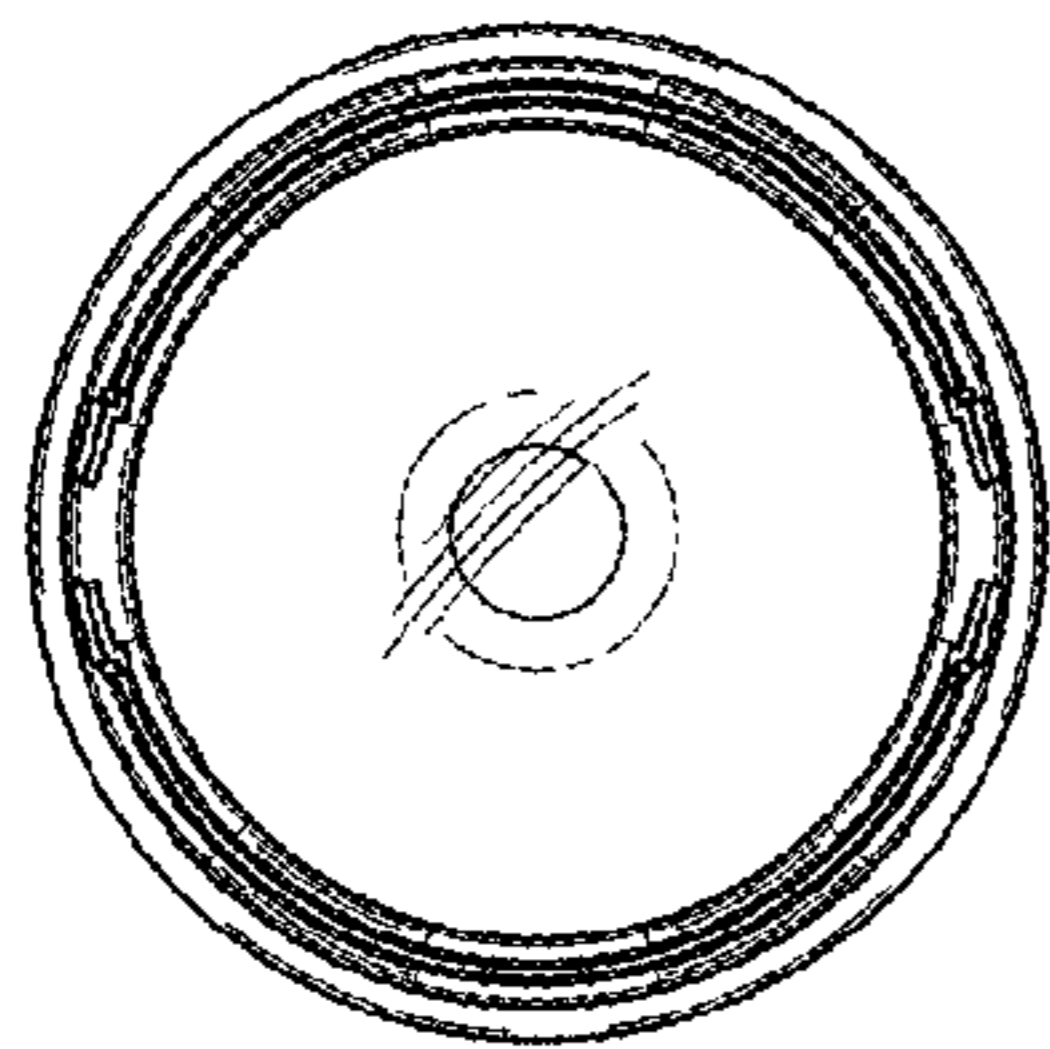


FIG. 3

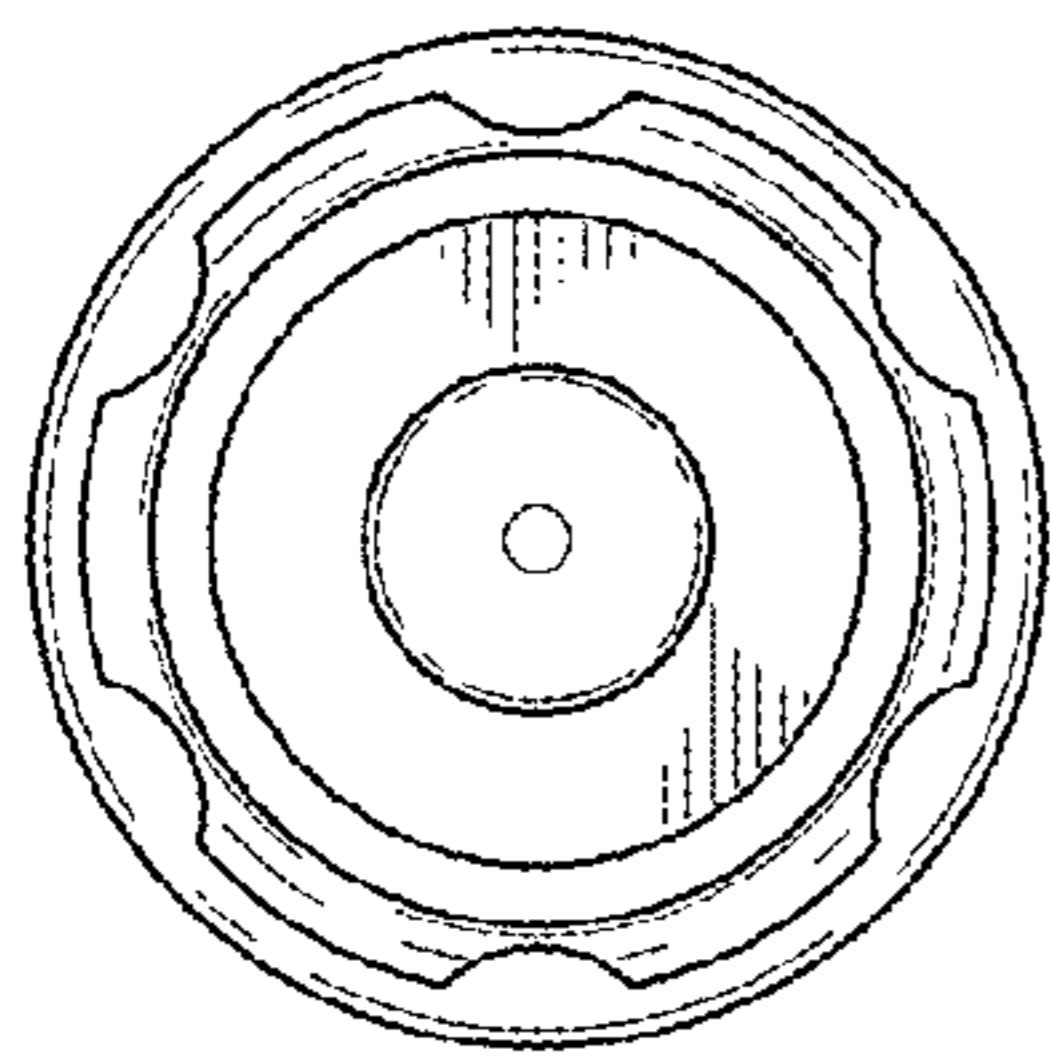


FIG. 4

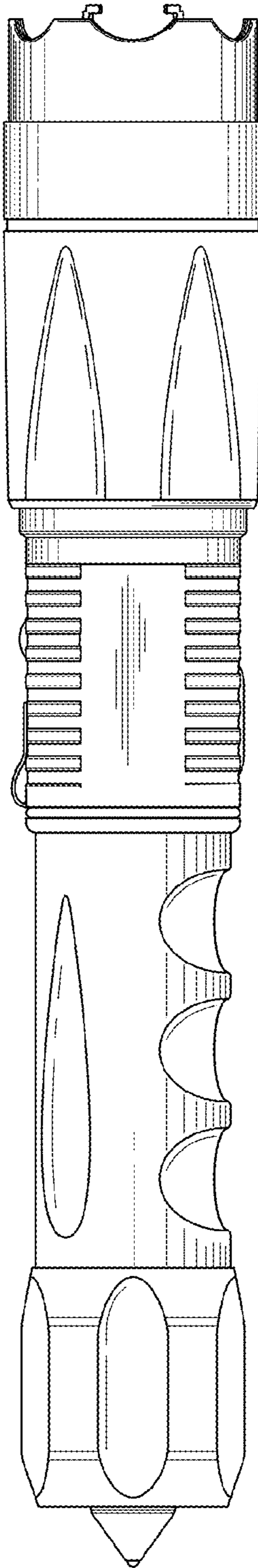


FIG. 5

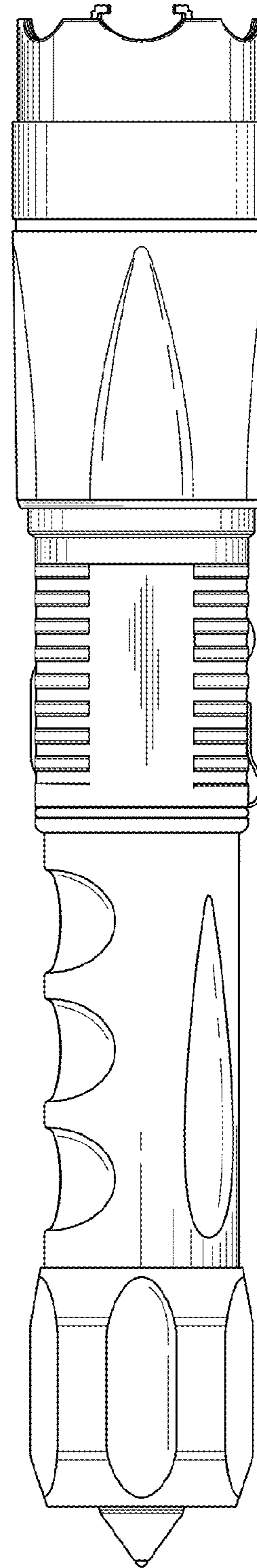


FIG. 6

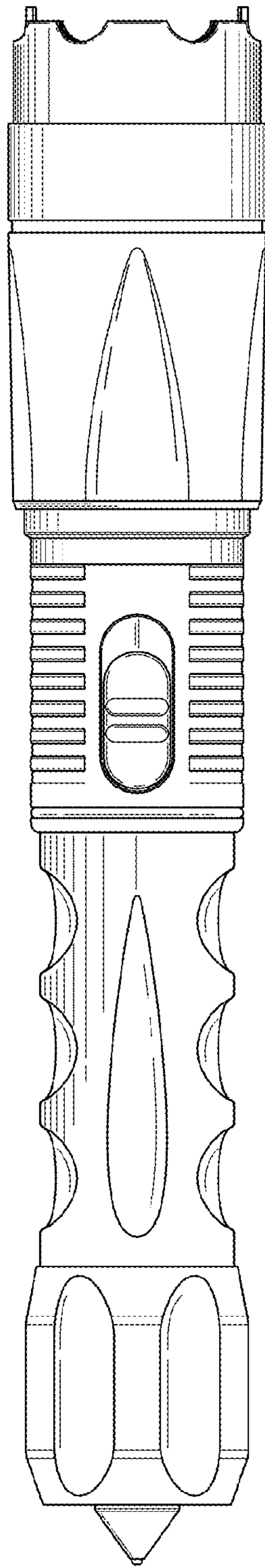


FIG. 7

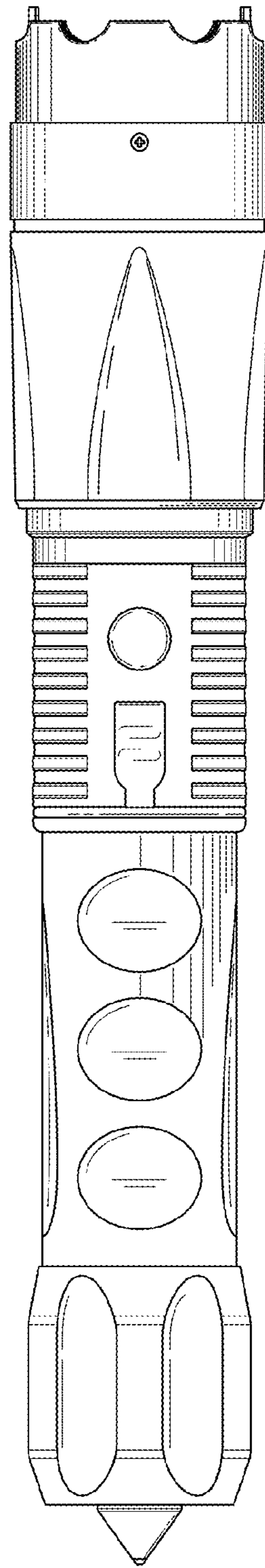


FIG. 8

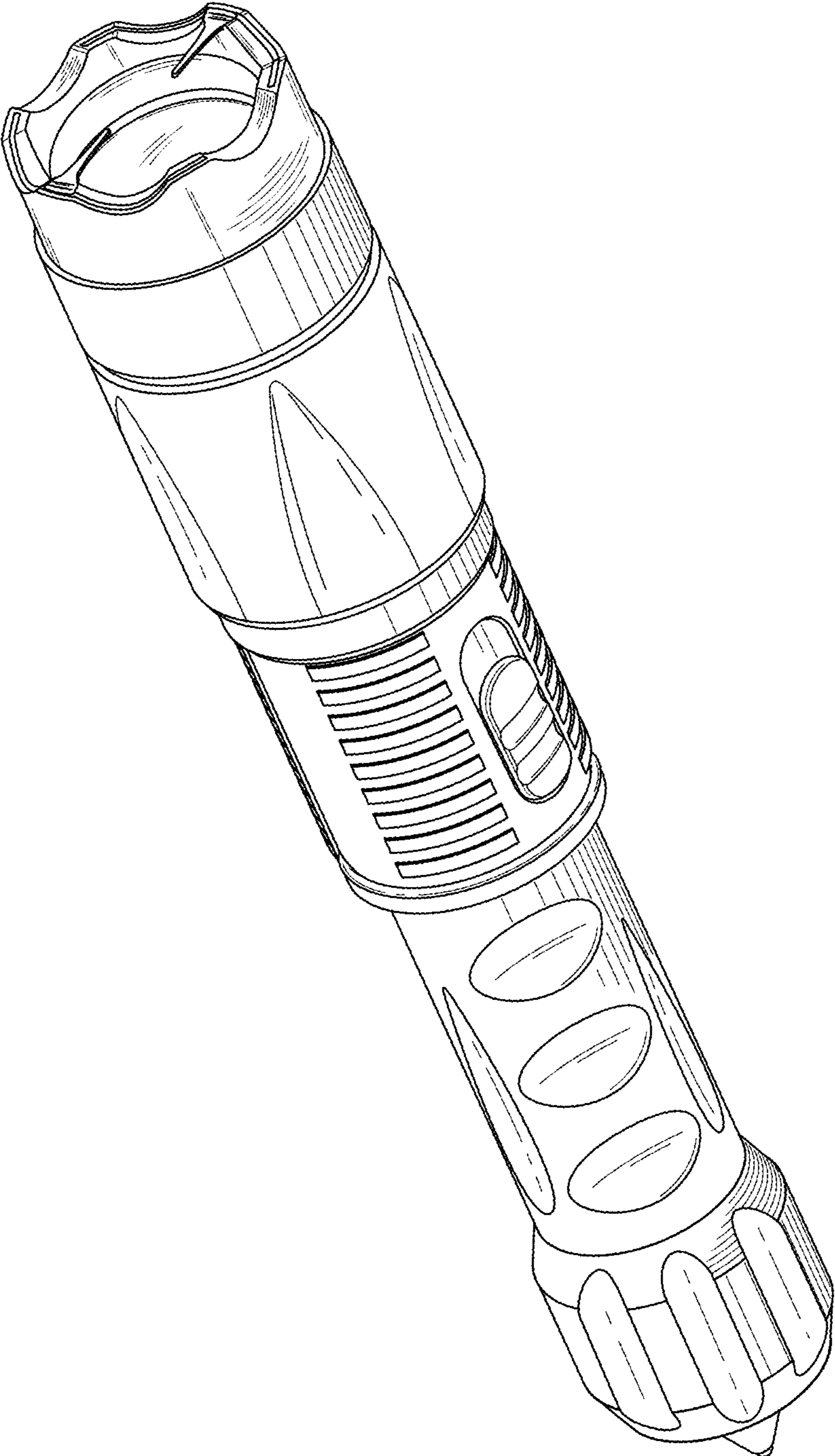


FIG. 9

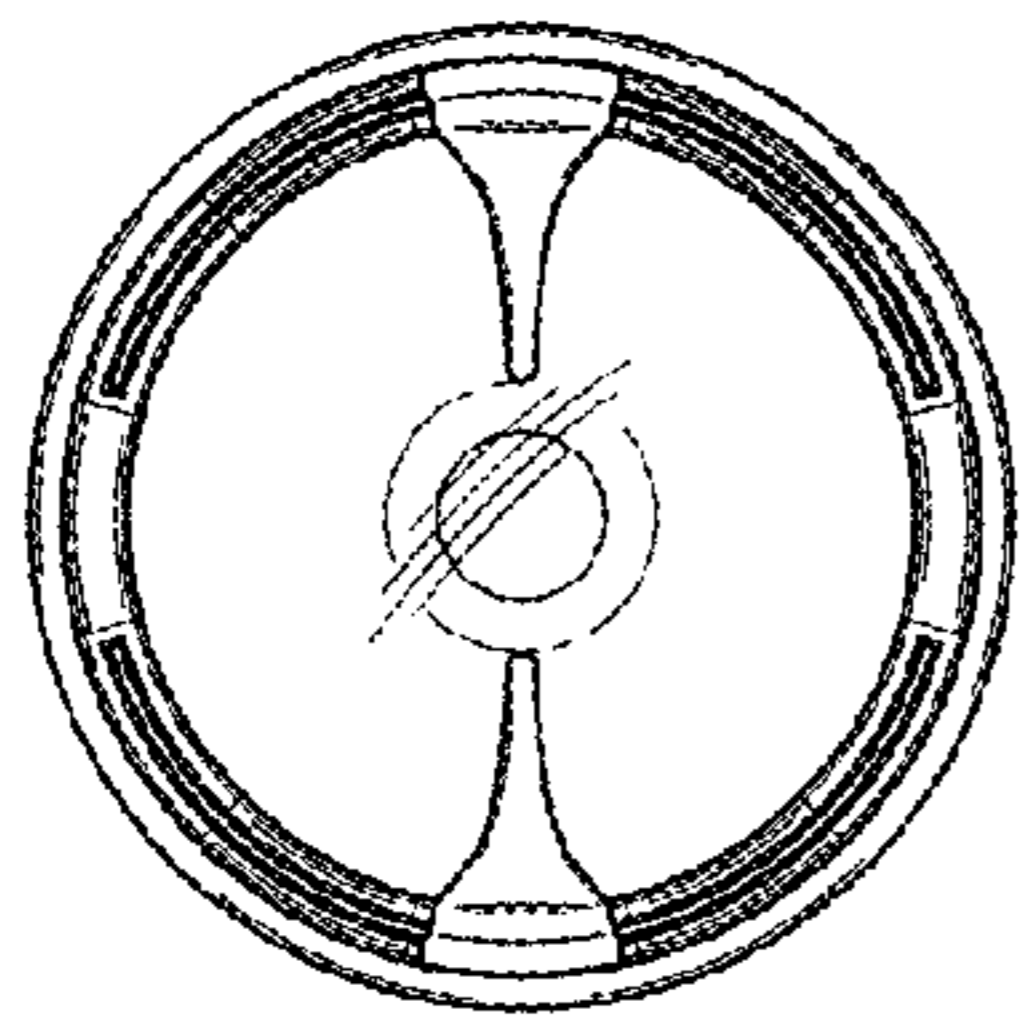


FIG. 10

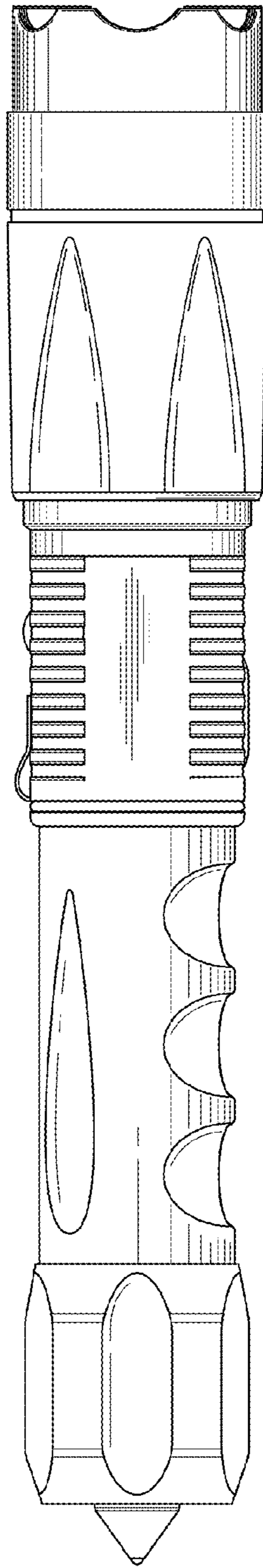


FIG. 11

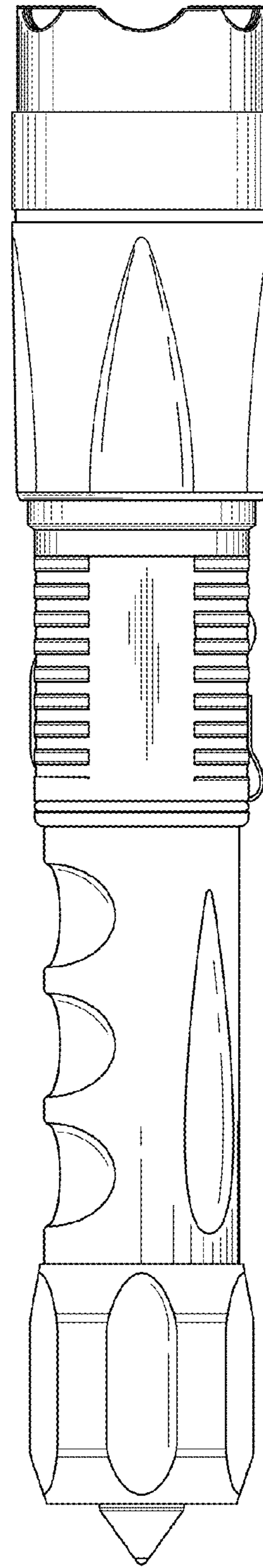


FIG. 12

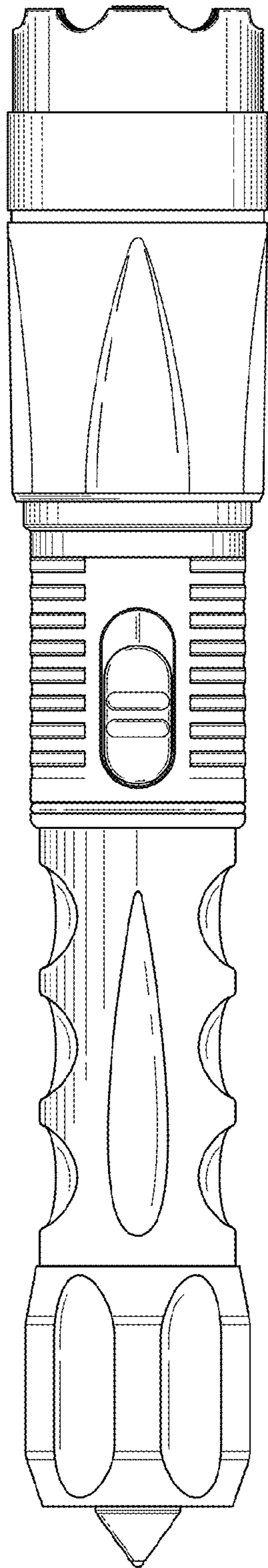


FIG. 13

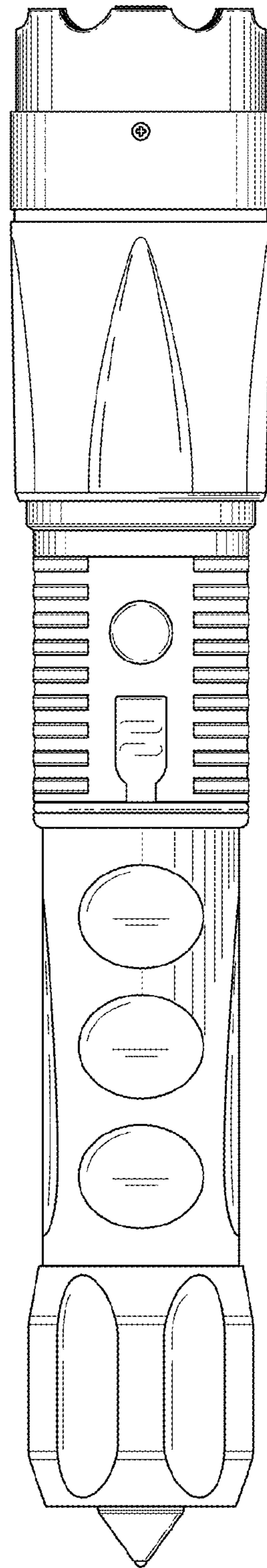


FIG. 14

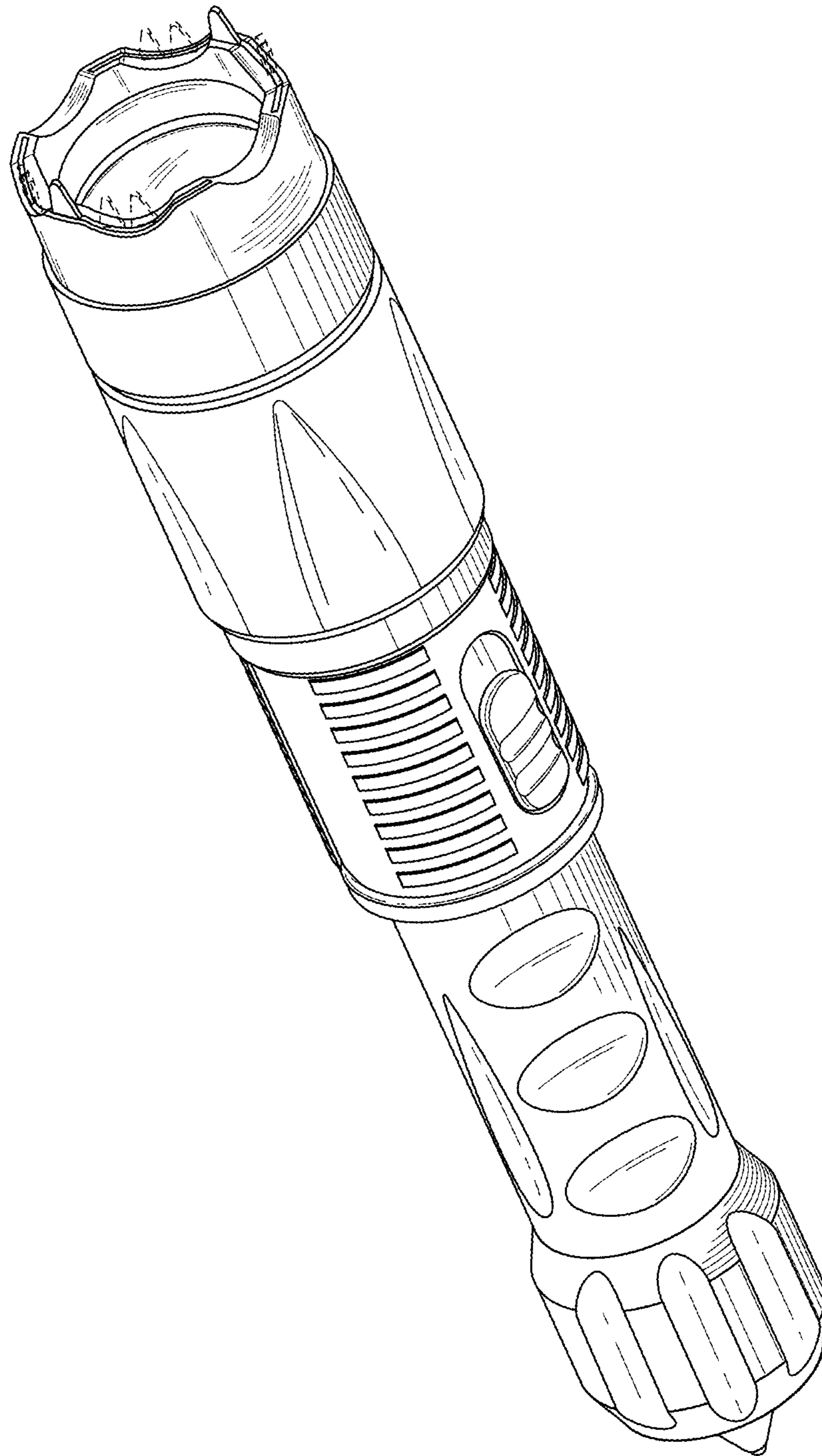


FIG. 15

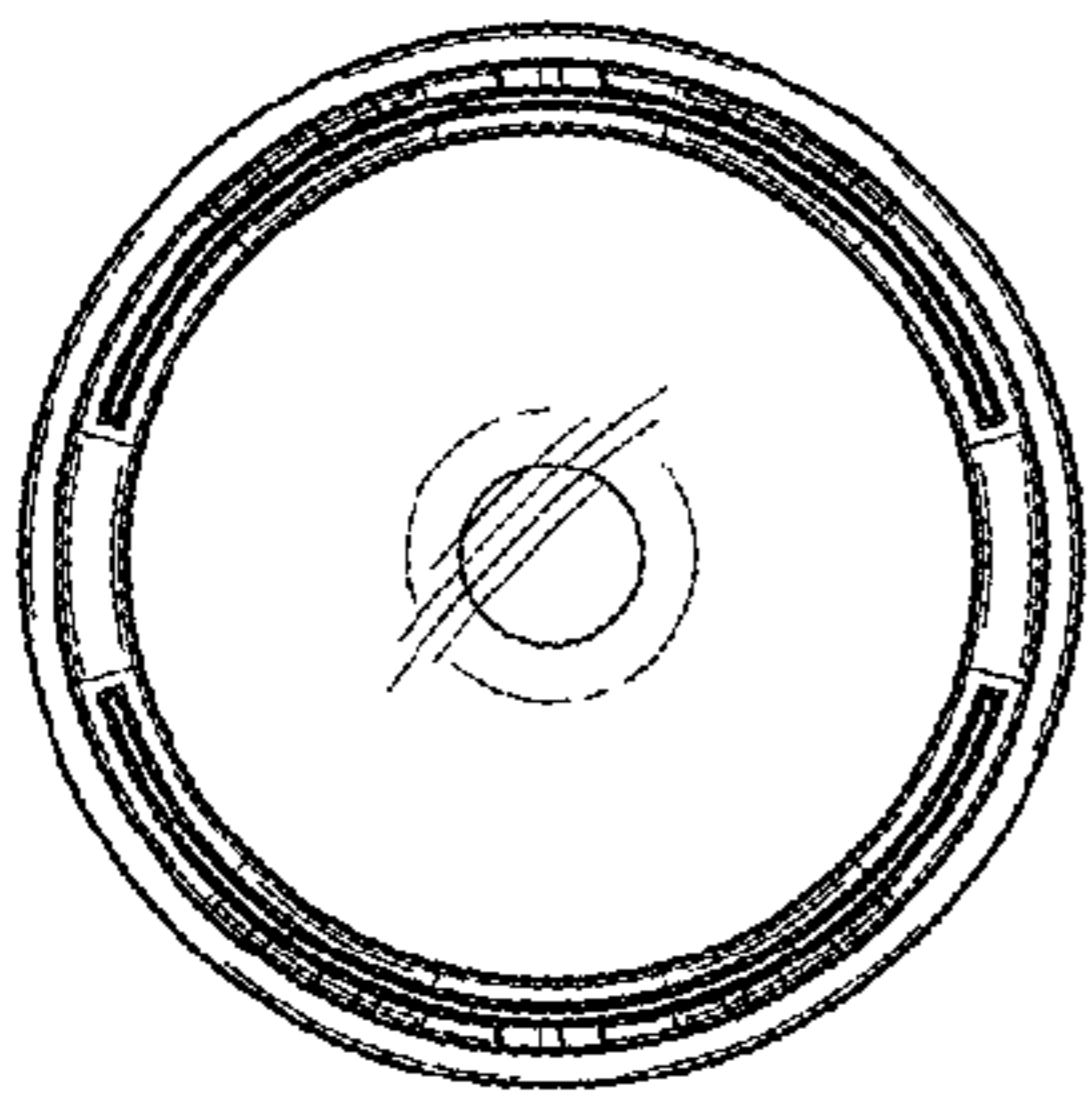


FIG. 16

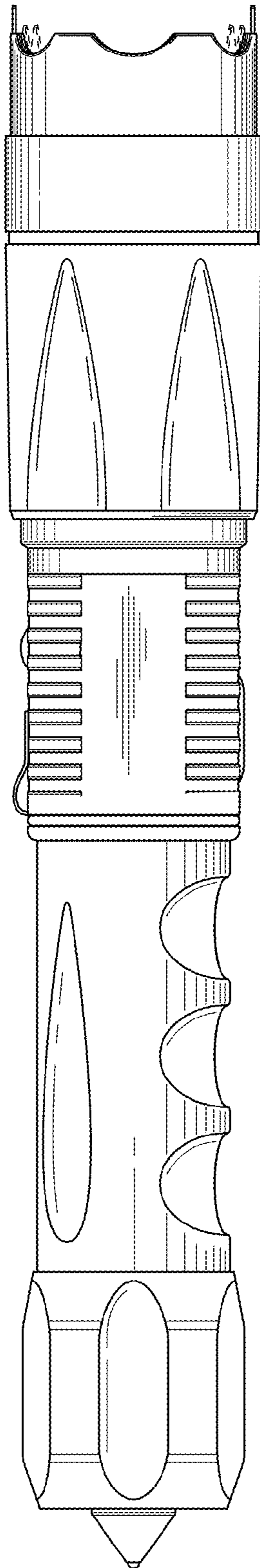


FIG. 17

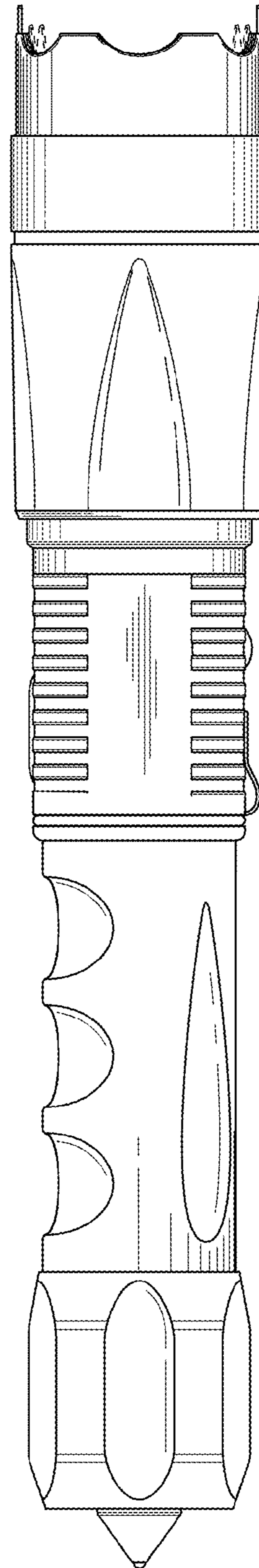


FIG. 18

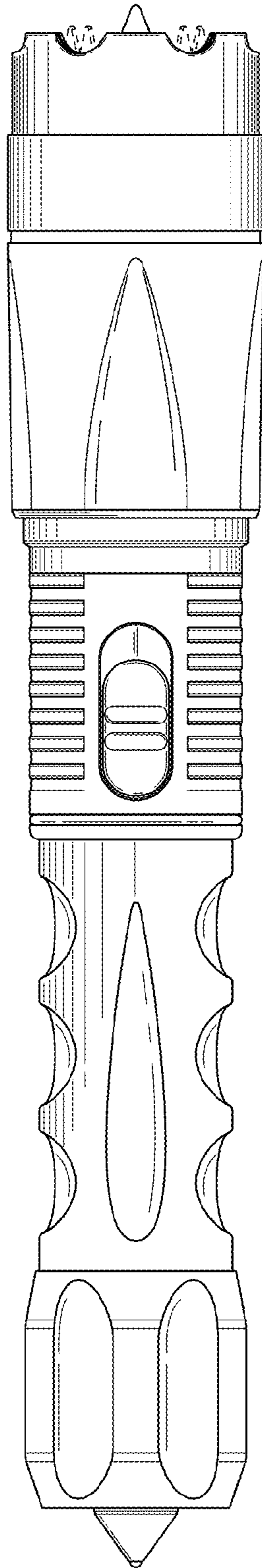


FIG. 19

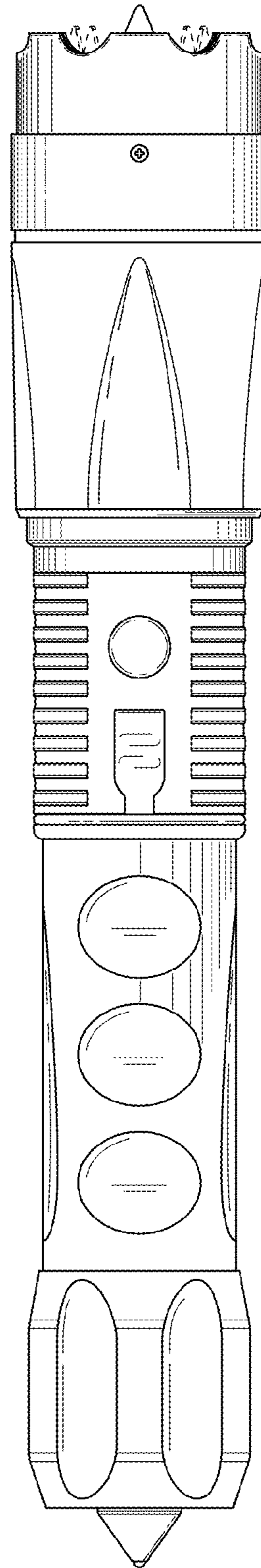


FIG. 20