



US00D750303S

(12) **United States Design Patent**
Levy et al.

(10) **Patent No.:** **US D750,303 S**
(45) **Date of Patent:** **** Feb. 23, 2016**

- (54) **FLASHLIGHT**
- (71) Applicant: **NAVAJO MANUFACTURING COMPANY, INC.**, Denver, CO (US)
- (72) Inventors: **Gordon Levy**, Golden, CO (US); **Ming Shan**, Thornton, CO (US); **Shawn Shelton**, Highlands Ranch, CO (US)
- (73) Assignee: **Navajo Manufacturing Company, Inc.**, Denver, CO (US)
- (**) Term: **14 Years**
- (21) Appl. No.: **29/502,582**
- (22) Filed: **Sep. 17, 2014**
- (51) **LOC (10) Cl.** **26-02**
- (52) **U.S. Cl.**
USPC **D26/37**
- (58) **Field of Classification Search**
USPC D26/37-51, 56-60, 67; 362/103-105, 362/184, 194-196, 202-206; D22/117
CPC F21L 4/00; F21L 4/005; F21L 4/022; F21L 4/025; F21L 4/027; F21L 7/00; F21L 19/00; F21V 21/084; F21V 21/0085; F21W 2111/10
See application file for complete search history.

D556,926 S	12/2007	Thirouin	
7,325,944 B2	2/2008	Kovacik et al.	
7,338,189 B2	3/2008	Kovacik et al.	
D567,977 S *	4/2008	Jianwei	D26/42
D567,978 S *	4/2008	Jianwei	D26/42
7,517,107 B2	4/2009	Dallas et al.	
D596,326 S	7/2009	Jiang	
D631,178 S	1/2011	Kovacik et al.	
8,033,681 B2	10/2011	Brass et al.	
D648,054 S *	11/2011	Zhuang	D26/37
D651,731 S *	1/2012	Xu	D26/37
D661,417 S	6/2012	Kung	
8,414,142 B2	4/2013	Tucker et al.	
D691,310 S *	10/2013	Zhou	D26/37
8,628,210 B2	1/2014	Tucker et al.	
D708,376 S	7/2014	Crowe et al.	
2007/0030672 A1	2/2007	Offiler et al.	
2008/0174991 A1	7/2008	Tucker	
2008/0304254 A1	12/2008	Canino et al.	
2010/0254122 A1	10/2010	Bayat et al.	

* cited by examiner

Primary Examiner — Sandra Morris

(74) *Attorney, Agent, or Firm* — Studebaker & Brackett PC

(57) **CLAIM**

The ornamental design for a flashlight, as shown and described.

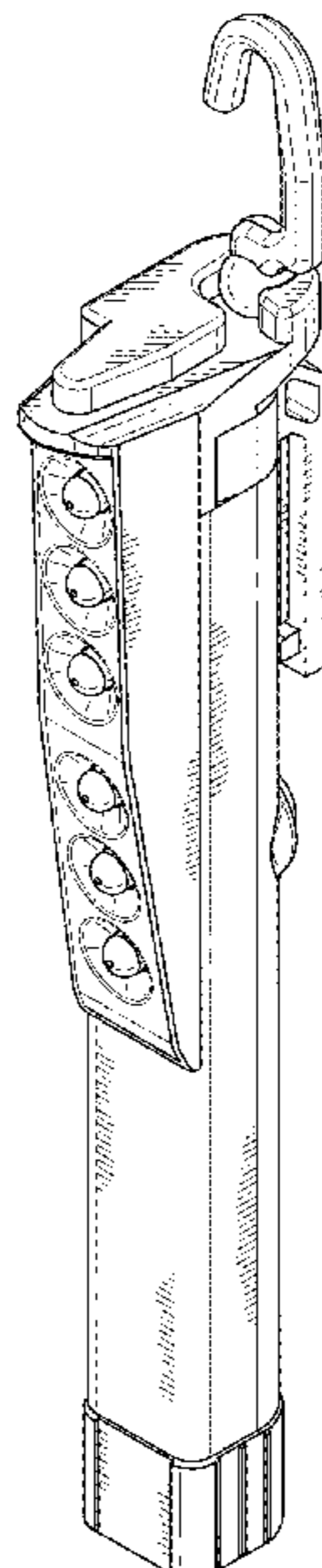
DESCRIPTION

FIG. 1 is a perspective view showing our new design for a flashlight,
 FIG. 2 is a front view thereof
 FIG. 3 is a rear view thereof,
 FIG. 4 is a left side view thereof,
 FIG. 5 is a right side view thereof,
 FIG. 6 is a top view thereof; and,
 FIG. 7 is a bottom view thereof.

1 Claim, 3 Drawing Sheets

(56) **References Cited**
U.S. PATENT DOCUMENTS

5,190,369 A	3/1993	Pace	
5,568,968 A	10/1996	Jaramillo	
D505,217 S *	5/2005	Bayat	D26/42
7,108,403 B1	9/2006	Walters et al.	
D538,457 S	3/2007	Kovacik et al.	
D543,301 S *	5/2007	Chen	D26/42
7,220,012 B2	5/2007	Liu	



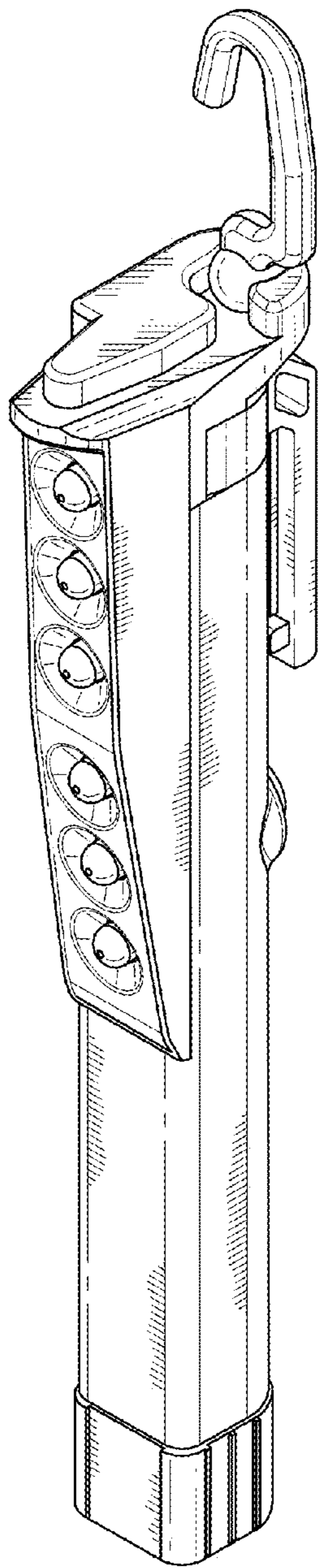


FIG. 1

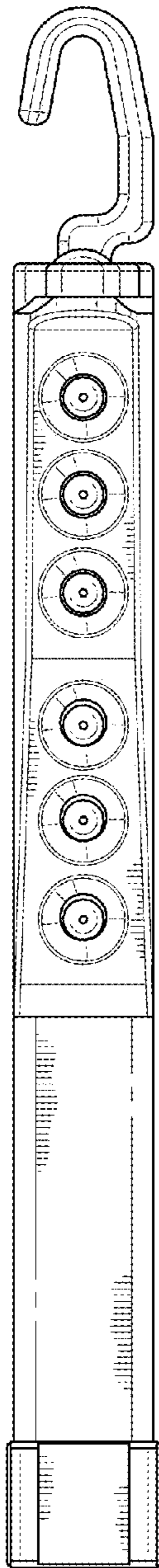


FIG. 2

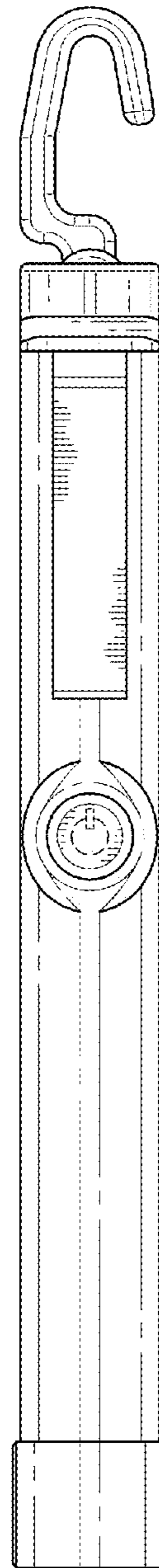


FIG. 3

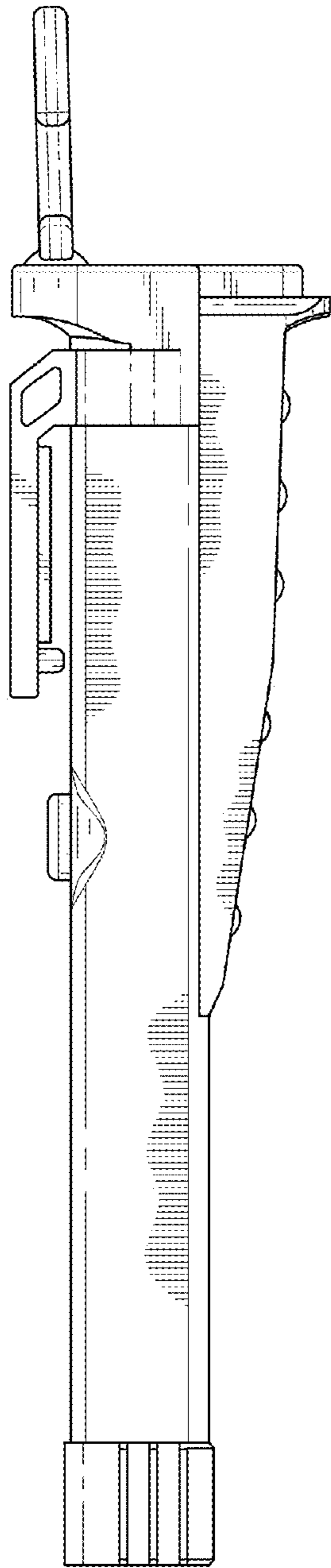


FIG. 4

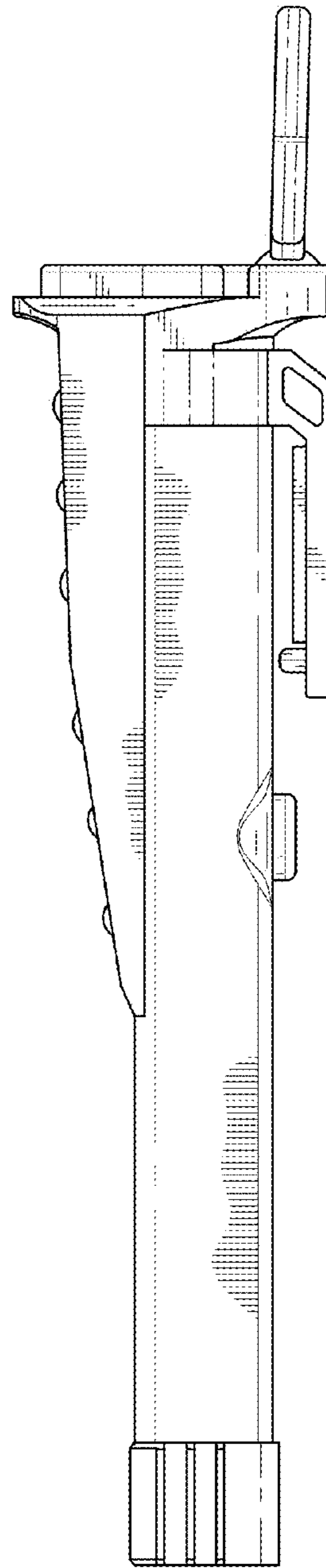


FIG. 5

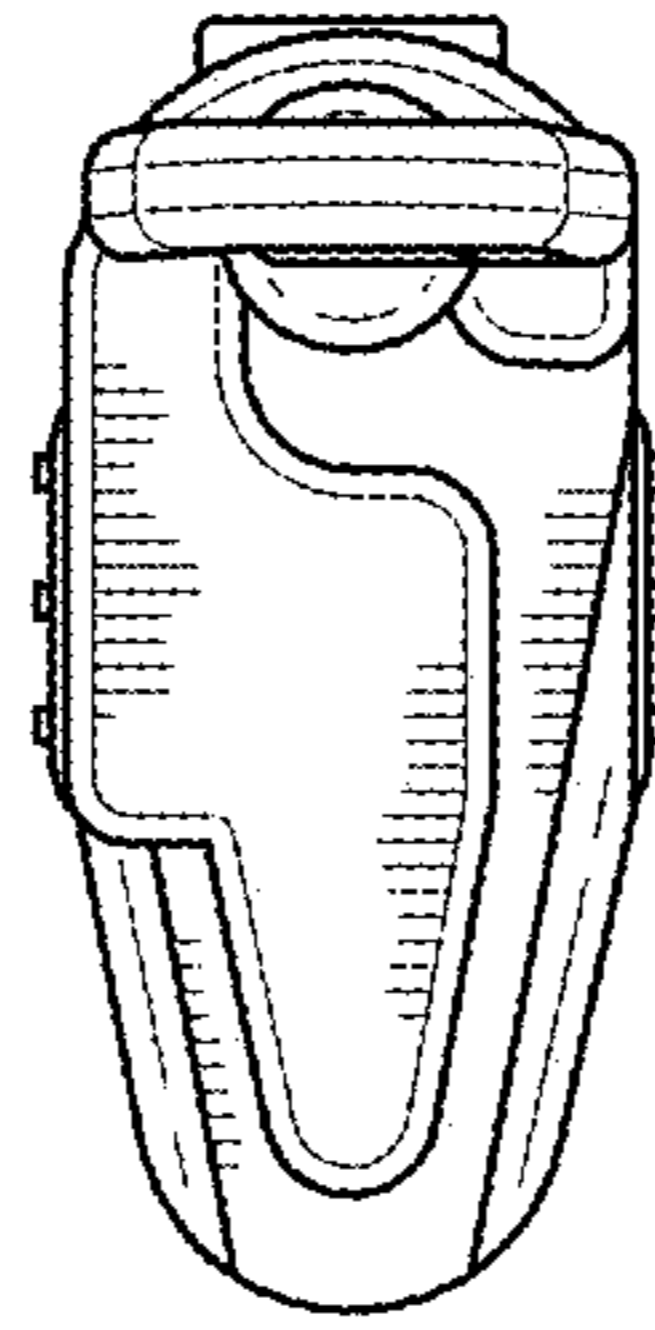


FIG. 6

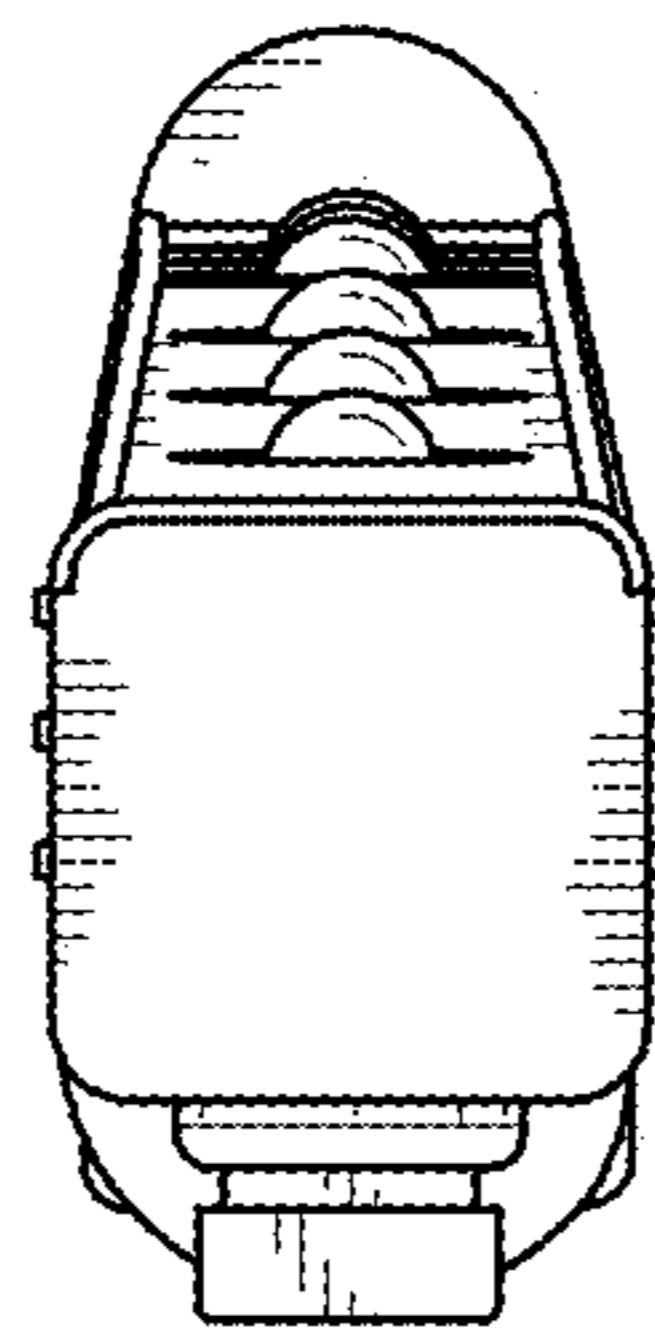


FIG. 7