



US00D750301S

(12) **United States Design Patent**
Marzynski

(10) **Patent No.:** **US D750,301 S**
(45) **Date of Patent:** **** Feb. 23, 2016**

(54) **STROBE LIGHT**

(75) Inventor: **Matthew Marzynski**, Seattle, WA (US)

(73) Assignee: **Fluke Corporation**, Everett, WA (US)

(**) Term: **14 Years**

(21) Appl. No.: **29/406,482**

(22) Filed: **Nov. 15, 2011**

(51) **LOC (10) Cl.** **26-02**

(52) **U.S. Cl.**
USPC **D26/37**

(58) **Field of Classification Search**

USPC D26/37, 38, 44, 45, 46, 48, 49, 51, 52;
362/157, 158, 183, 184, 194-196,
362/200-208, 253; 356/23-26

CPC F21V 33/00; F21V 14/025; F21V 21/406;
F21Y 2101/02; F21L 17/00; F21L 13/08

See application file for complete search history.

(56) **References Cited**

U.S. PATENT DOCUMENTS

2,445,304 A * 7/1948 Grace 356/25
D362,735 S * 9/1995 Hiromori D26/37

(Continued)

Primary Examiner — Ian Simmons

Assistant Examiner — Carissa C Fitts

(74) *Attorney, Agent, or Firm* — Seed IP Law Group PLLC

(57) **CLAIM**

The ornamental design for a strobe light, as shown.

DESCRIPTION

FIG. 1 is a front plan view of a strobe light.

FIG. 2 is a back view thereof.

FIG. 3 is a left side view thereof.

FIG. 4 is a right side view thereof.

FIG. 5 is a top view thereof.

FIG. 6 is a bottom view thereof.

FIG. 7 is a first perspective view thereof.

FIG. 8 is a second perspective view thereof.

FIG. 9 is a third perspective view thereof.

FIG. 10 is a fourth perspective view thereof.

FIG. 11 is a front plan view of a second embodiment of a strobe light.

FIG. 12 is a back view thereof.

FIG. 13 is a left side view thereof.

FIG. 14 is a right side view thereof.

FIG. 15 is a top view thereof.

FIG. 16 is a bottom view thereof.

FIG. 17 is a first perspective view thereof.

FIG. 18 is a second perspective view thereof.

FIG. 19 is a third perspective view thereof.

FIG. 20 is a fourth perspective view thereof.

FIG. 21 is a front plan view of a third embodiment of a strobe light.

FIG. 22 is a back view thereof.

FIG. 23 is a left side view thereof.

FIG. 24 is a right side view thereof.

FIG. 25 is a top view thereof.

FIG. 26 is a bottom view thereof.

FIG. 27 is a first perspective view thereof.

FIG. 28 is a second perspective view thereof.

FIG. 29 is a third perspective view thereof.

FIG. 30 is a fourth perspective view thereof.

FIG. 31 is a front plan view of a fourth embodiment of a strobe light.

FIG. 32 is a back view thereof.

FIG. 33 is a left side view thereof.

FIG. 34 is a right side view thereof.

FIG. 35 is a top view thereof.

FIG. 36 is a bottom view thereof.

FIG. 37 is a first perspective view thereof.

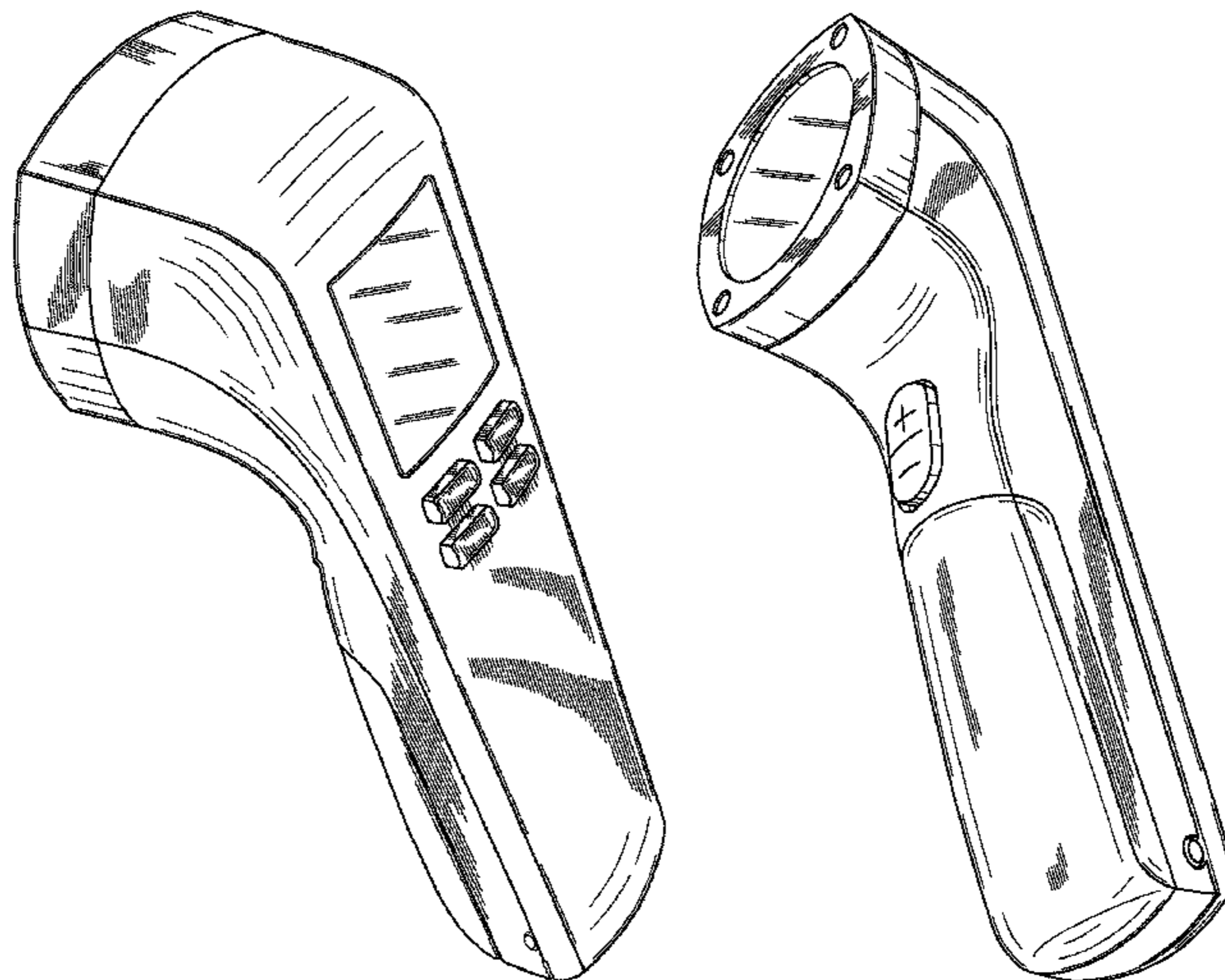
FIG. 38 is second perspective view thereof.

FIG. 39 is a third perspective view thereof; and,

FIG. 40 is a fourth perspective view thereof.

The broken line showing represents portions of the article not claimed and forms no part of the claimed design.

1 Claim, 28 Drawing Sheets



(56)

References Cited

U.S. PATENT DOCUMENTS

D404,840 S *	1/1999	Van Deursen et al.	D26/49	D445,925 S *	7/2001	Parker	D26/37
D420,156 S *	2/2000	Poon	D26/38	6,350,040 B1 *	2/2002	Parker	362/183
D427,346 S *	6/2000	Schoen	D26/45	D461,266 S *	8/2002	Siu Cheong et al.	D26/45
D427,697 S *	7/2000	Brazell et al.	D26/42	D492,805 S *	7/2004	Woolfson	D26/37
D428,503 S *	7/2000	Rann et al.	D26/46	D605,795 S *	12/2009	Baker et al.	D26/44
				D606,684 S *	12/2009	Sokuza	D26/37
				7,731,385 B2 *	6/2010	Spartano et al.	362/197
				D623,323 S *	9/2010	Kung	D26/45

* cited by examiner

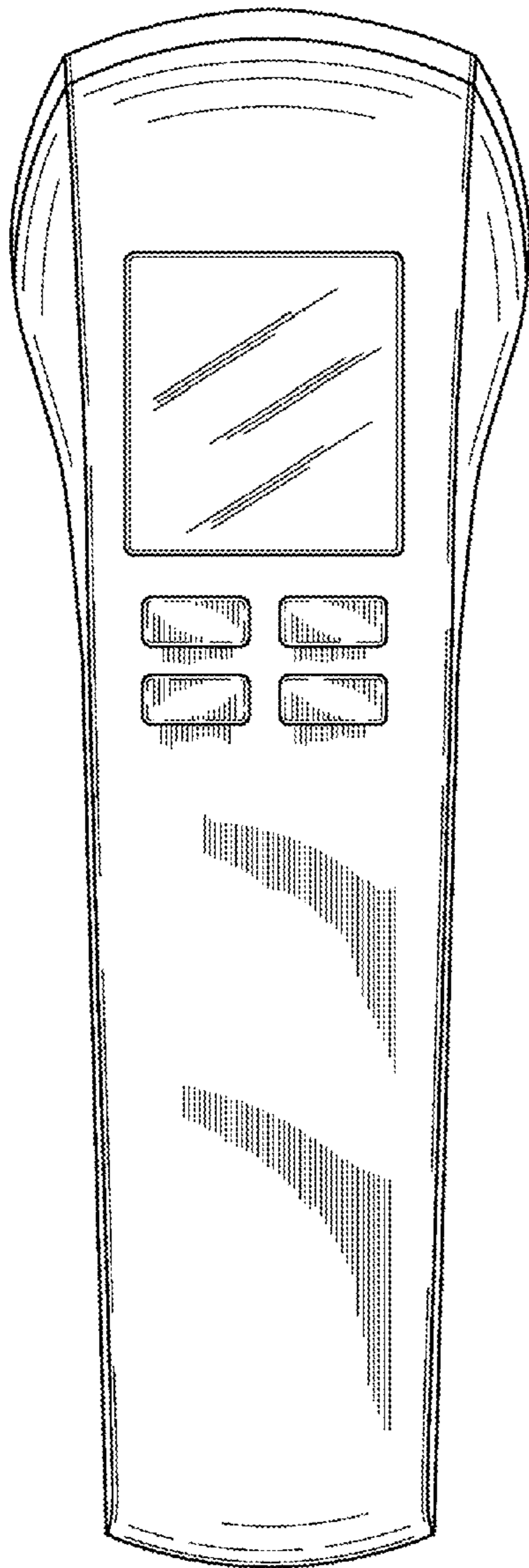


FIG. 1

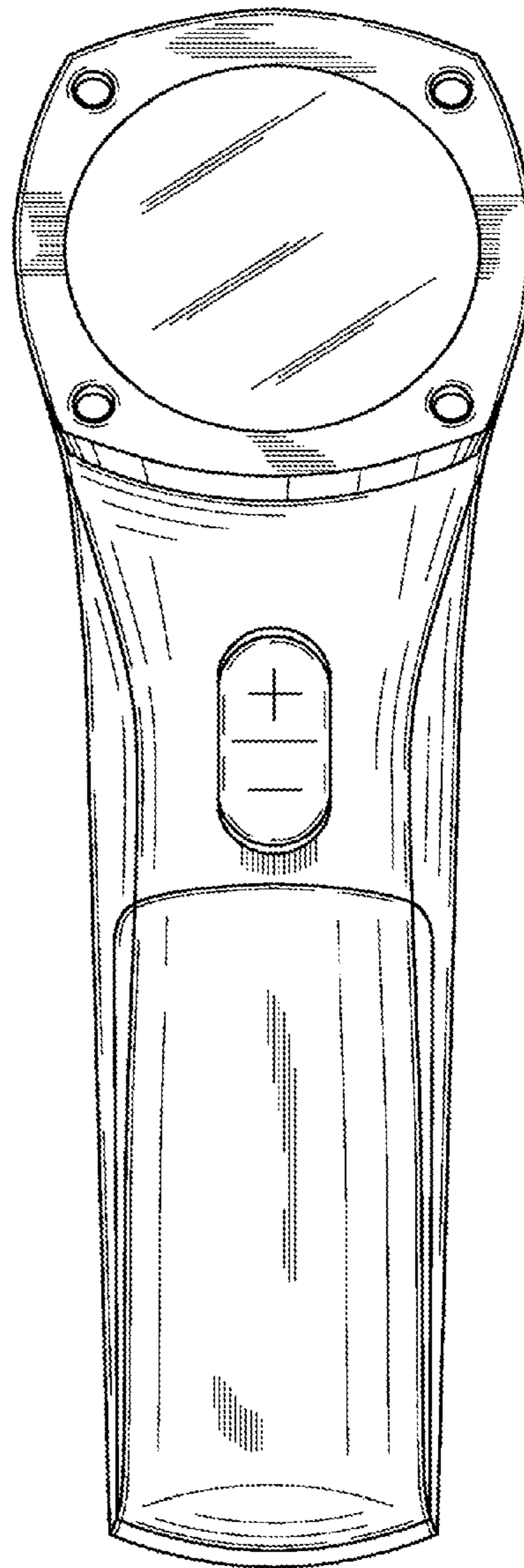


FIG. 2

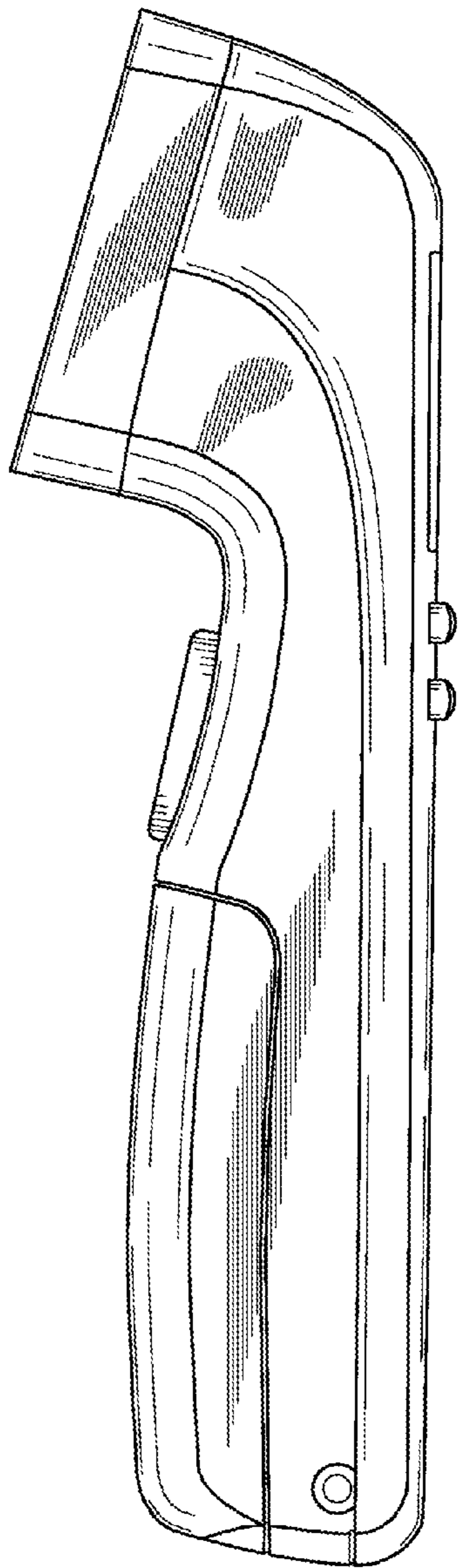


FIG. 3

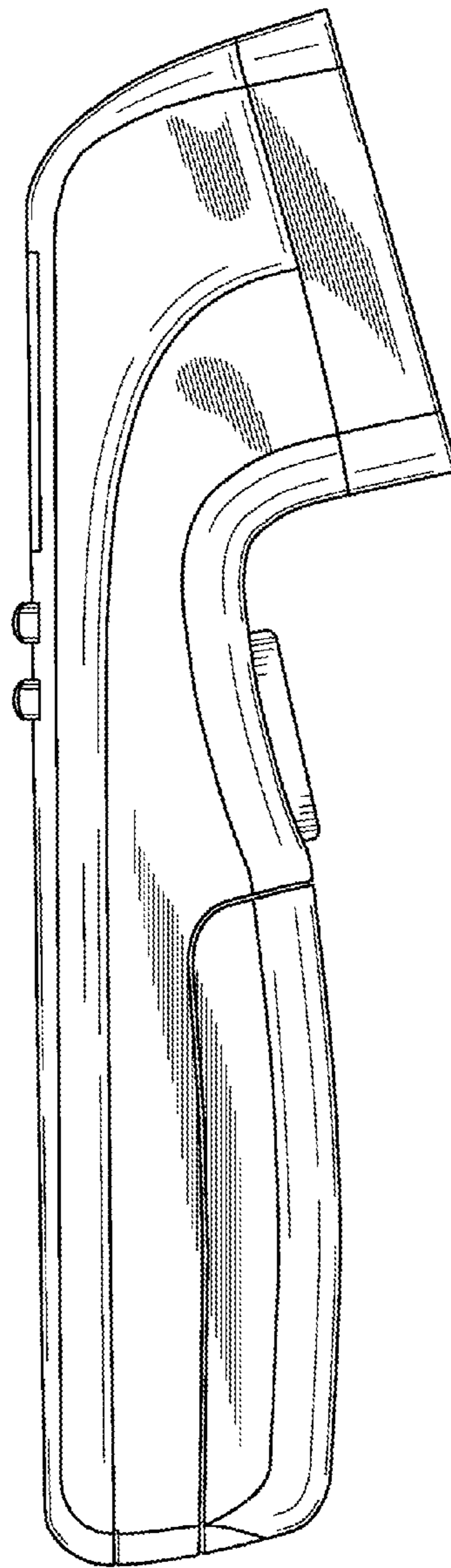


FIG. 4

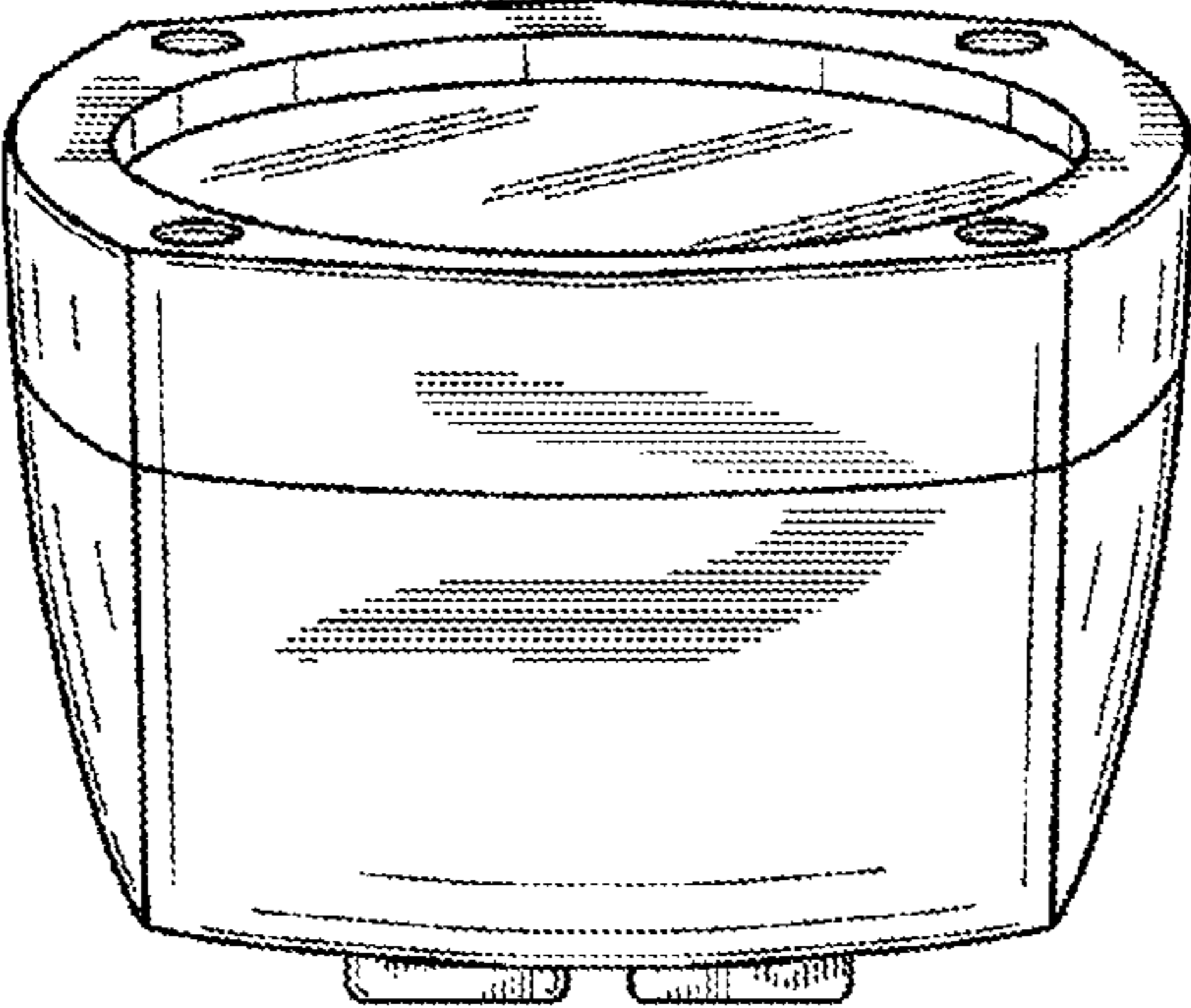


FIG. 5

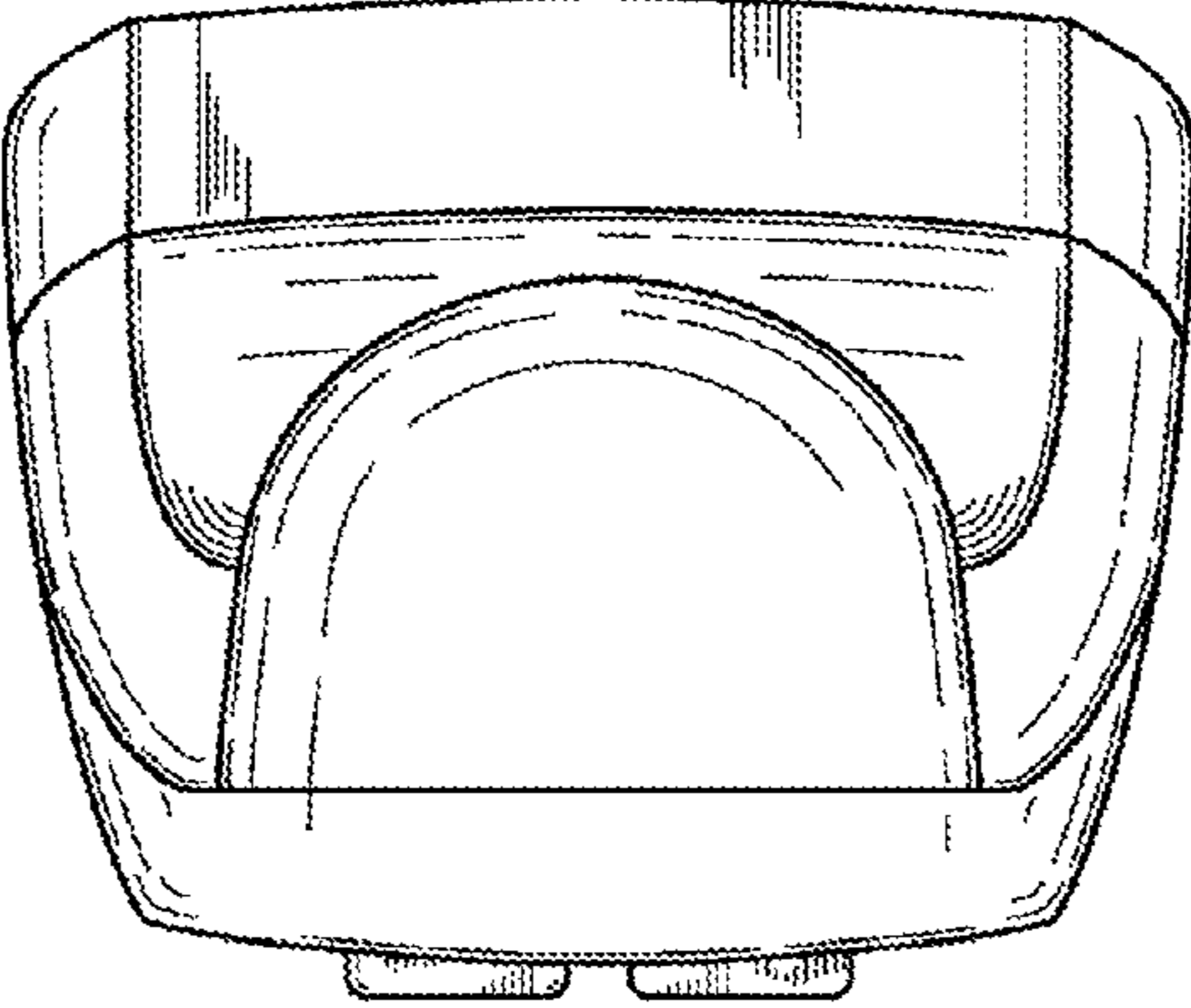


FIG. 6

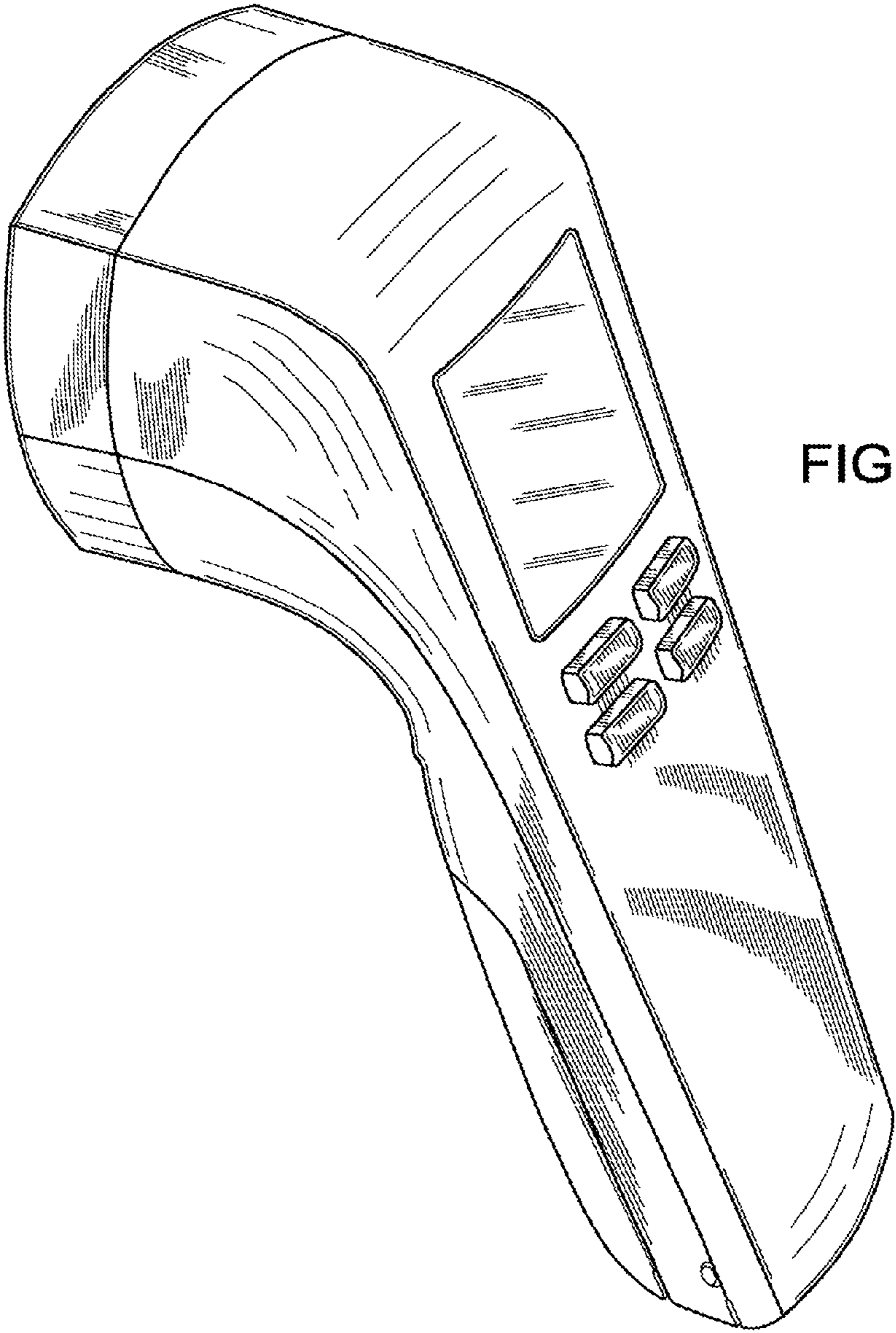


FIG. 7

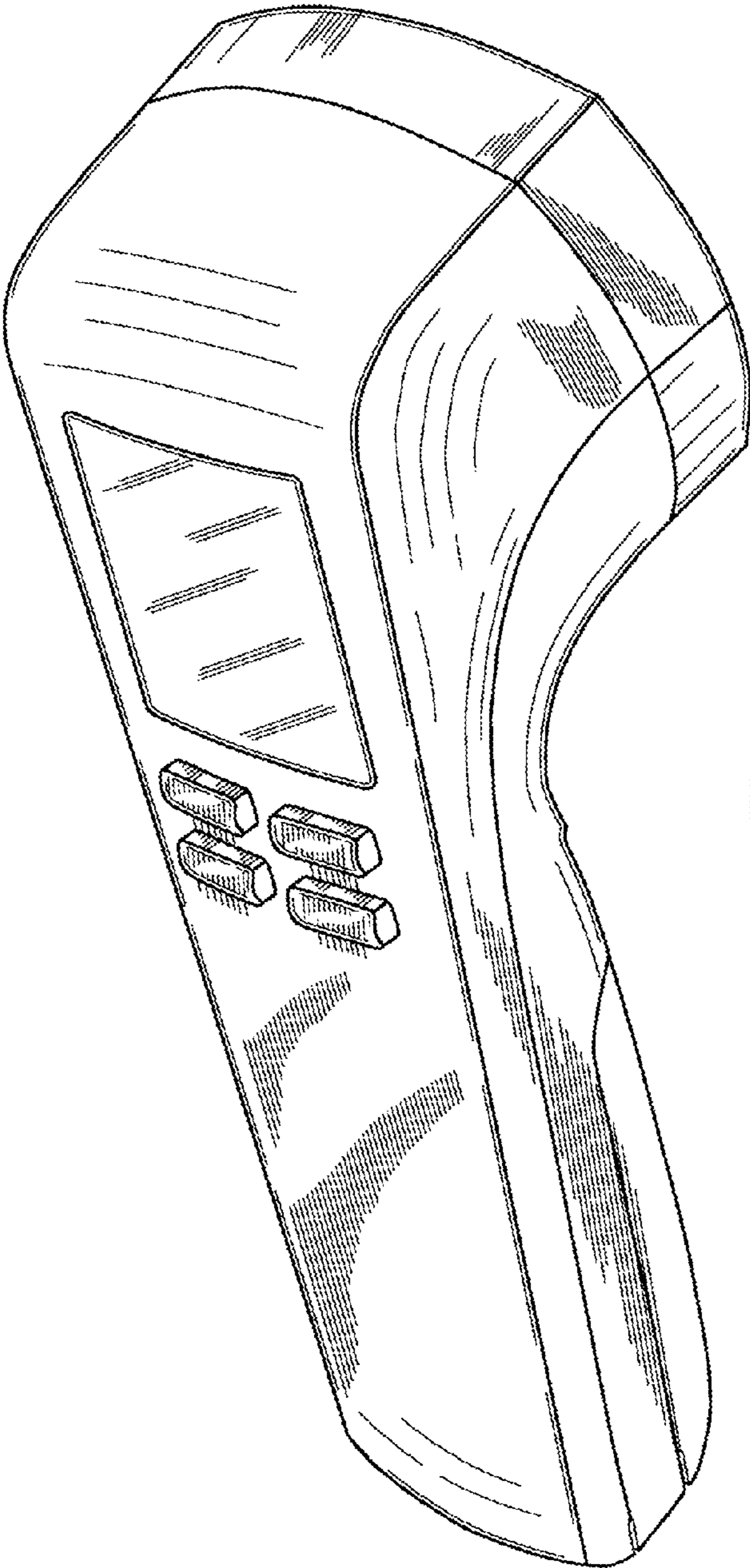


FIG. 8

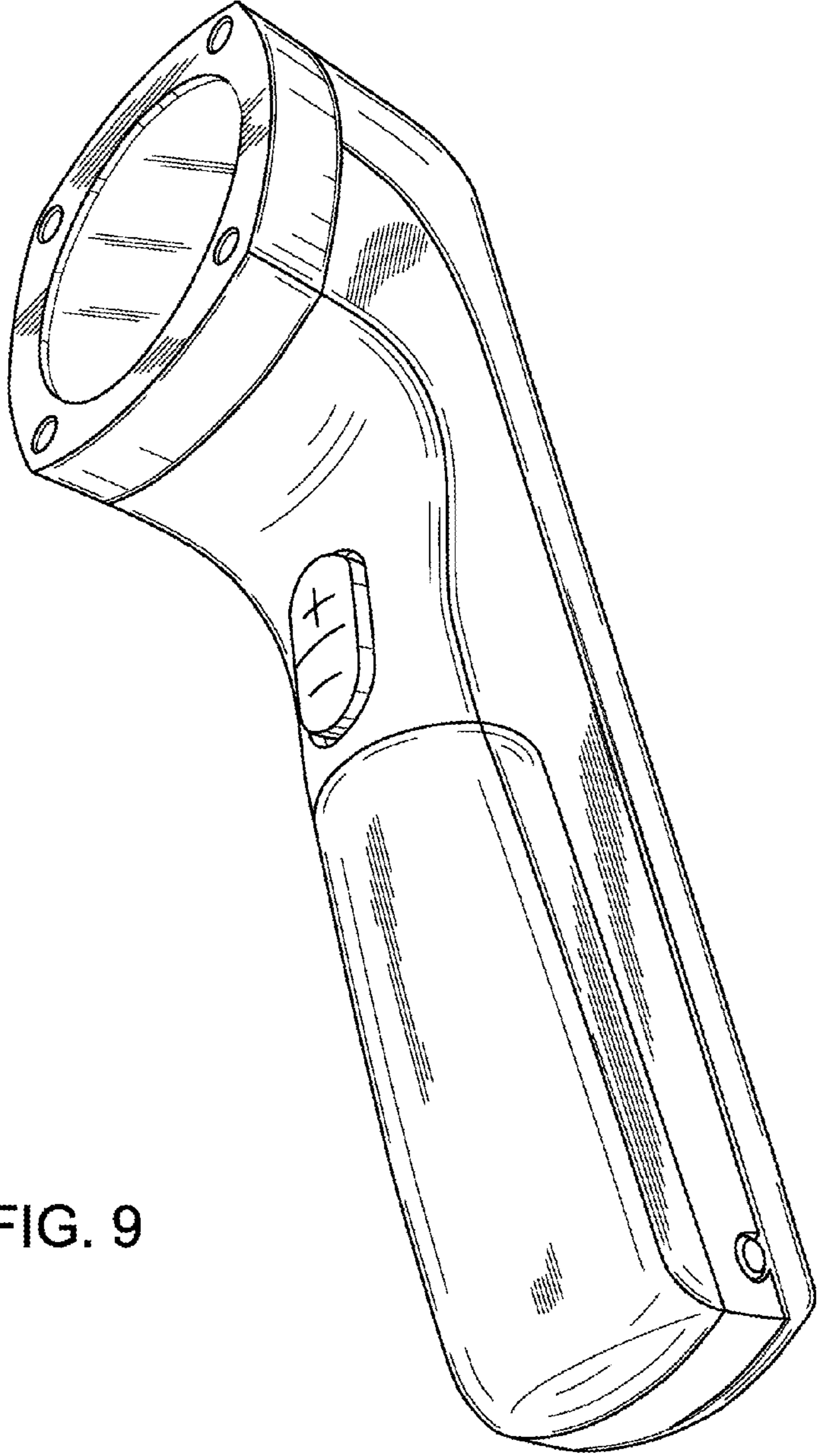


FIG. 9

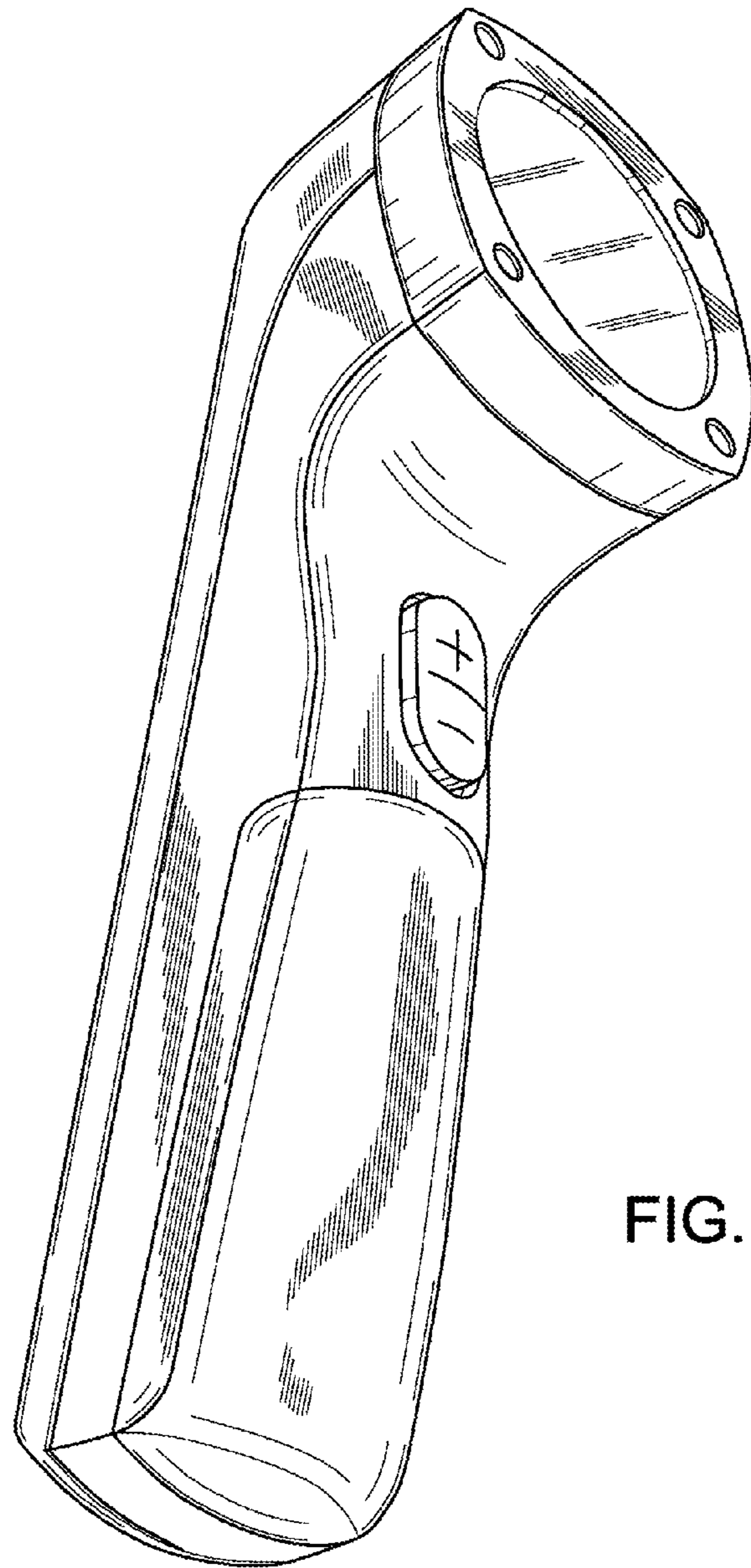


FIG. 10

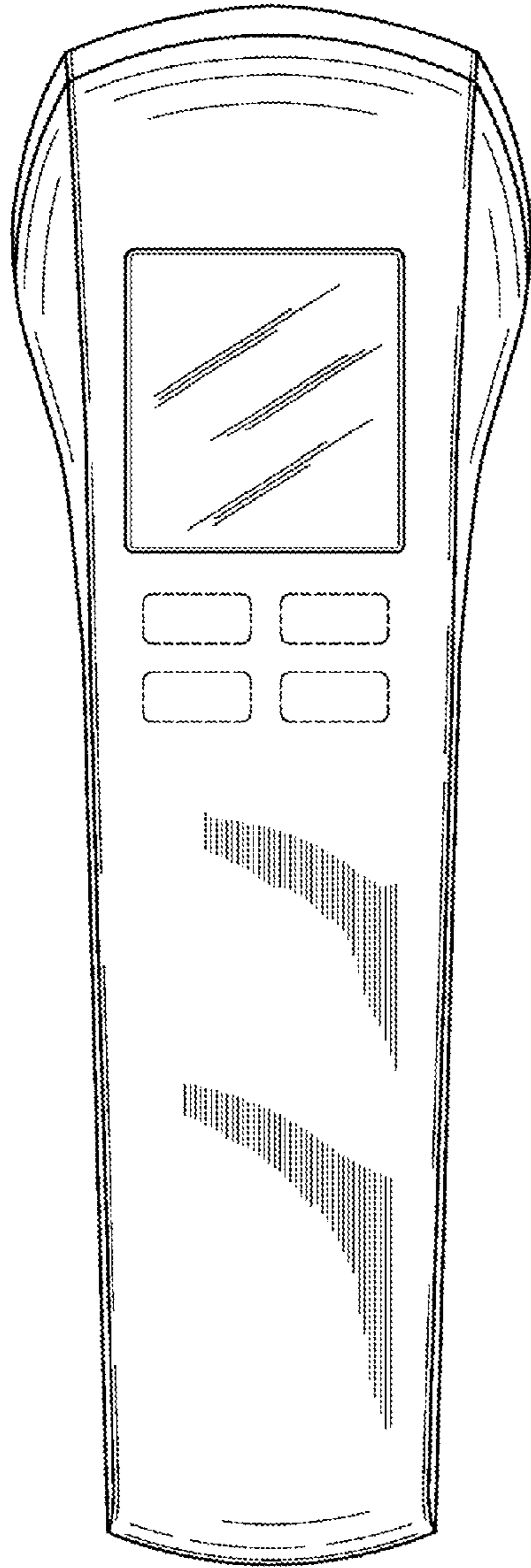


FIG. 11

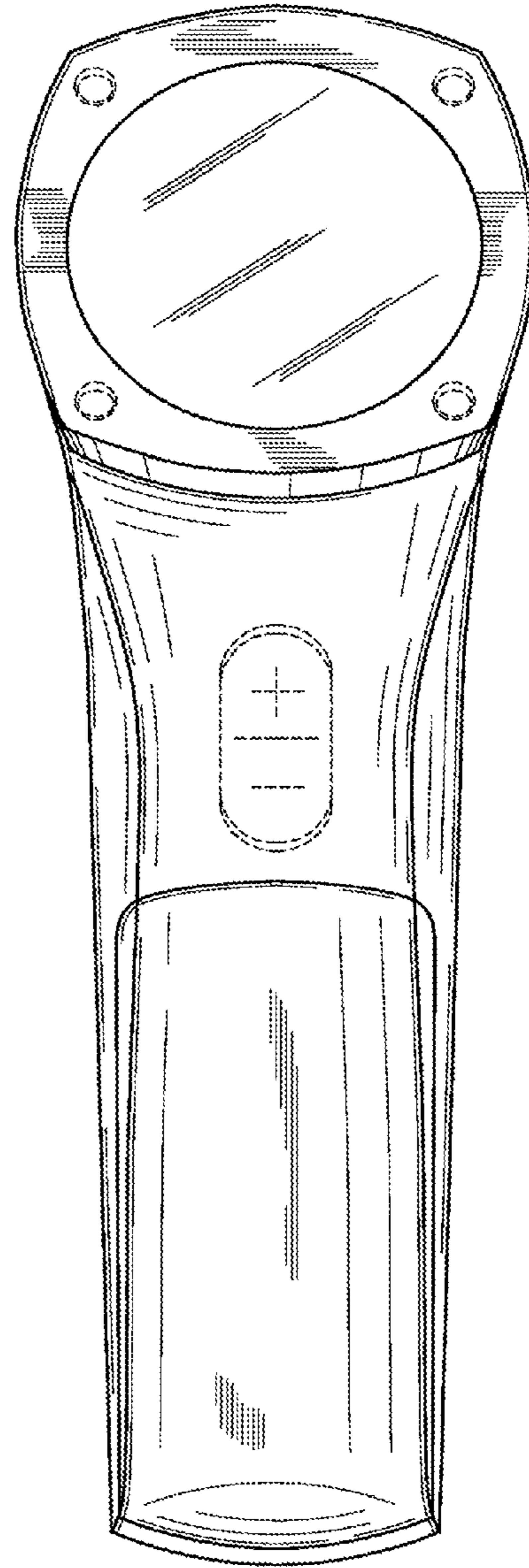


FIG. 12

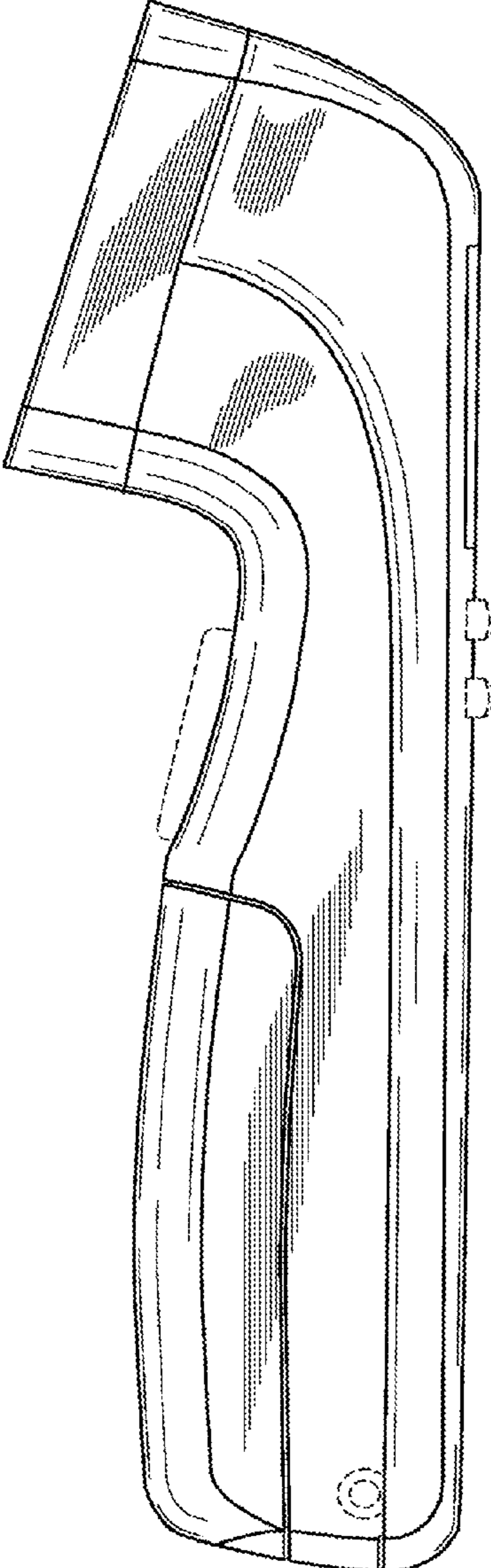


FIG. 13

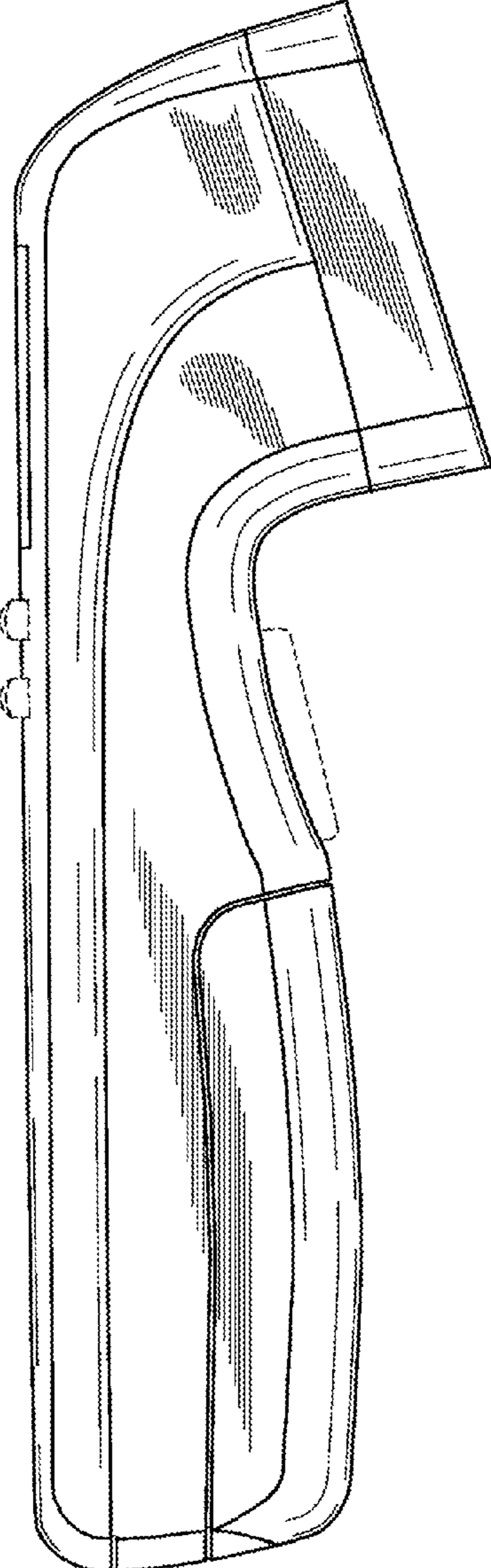


FIG. 14

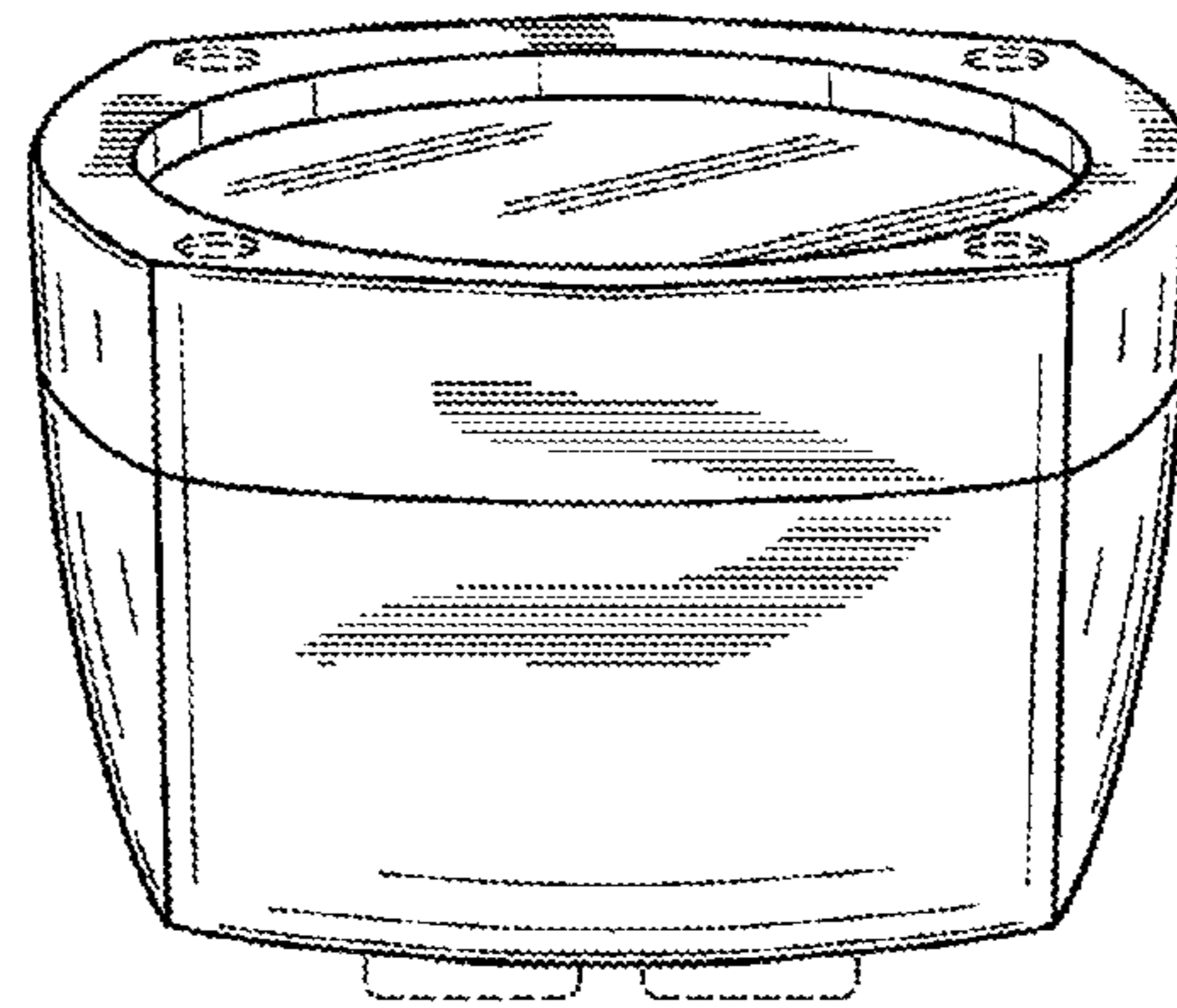


FIG. 15

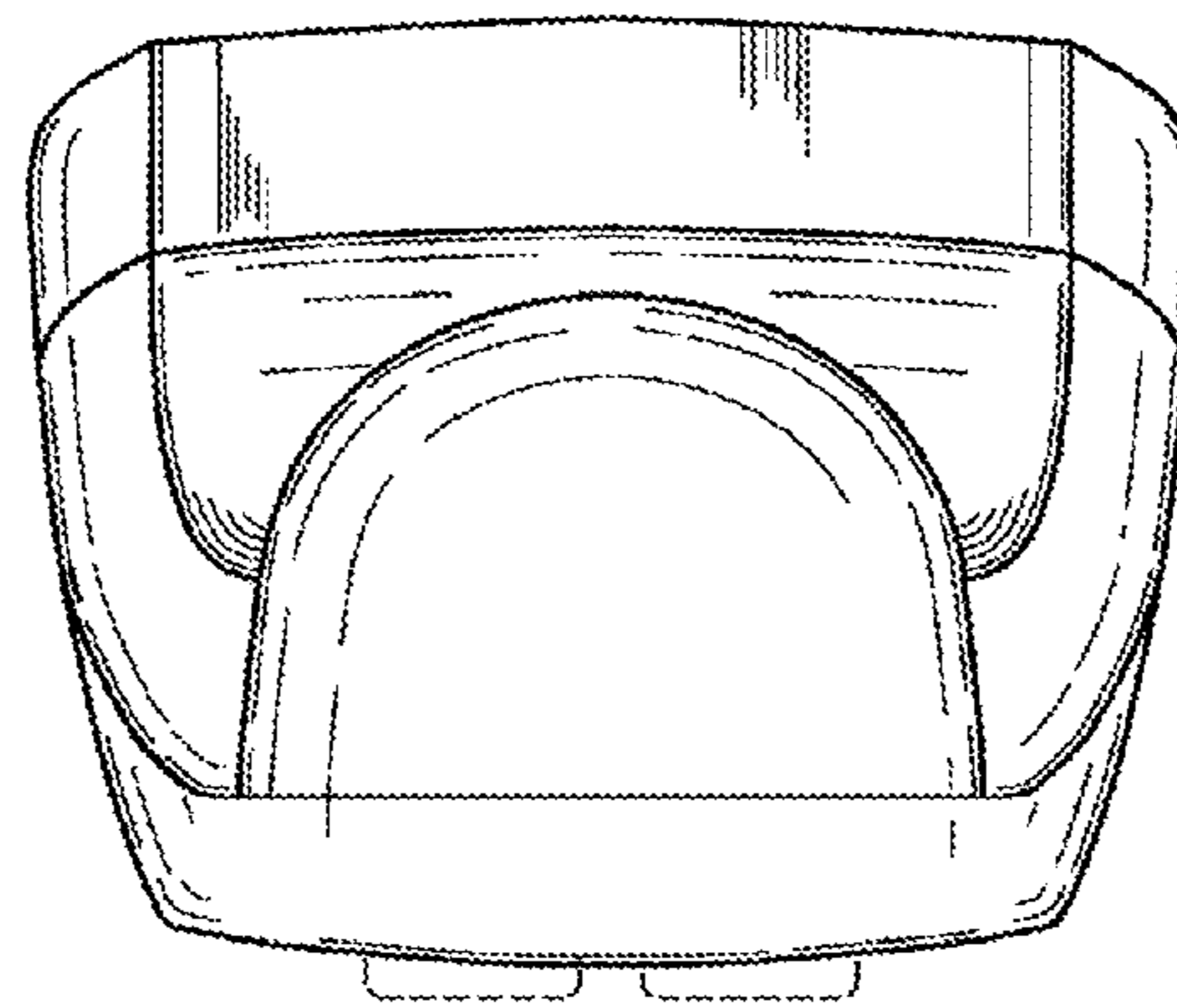


FIG. 16

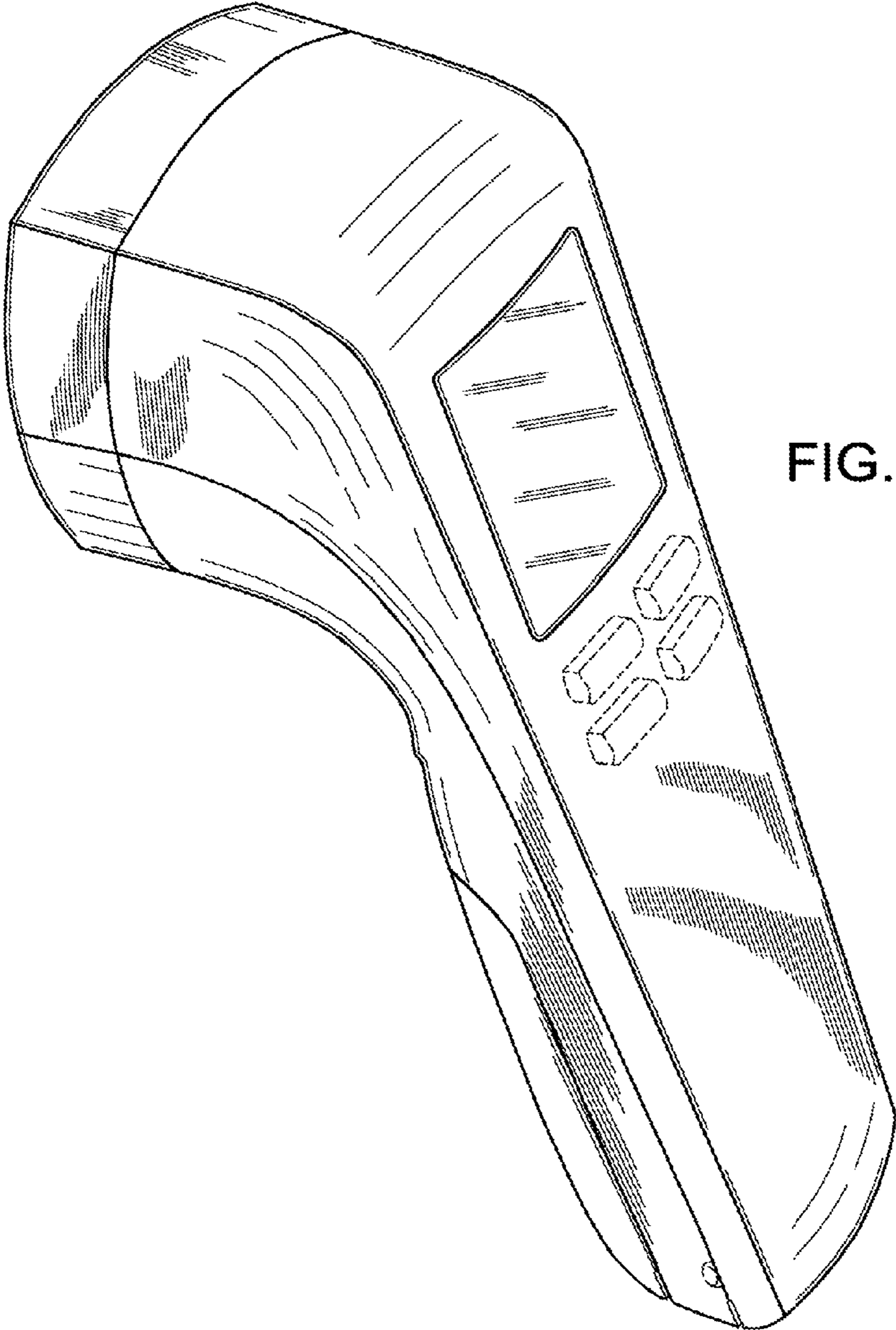


FIG. 17

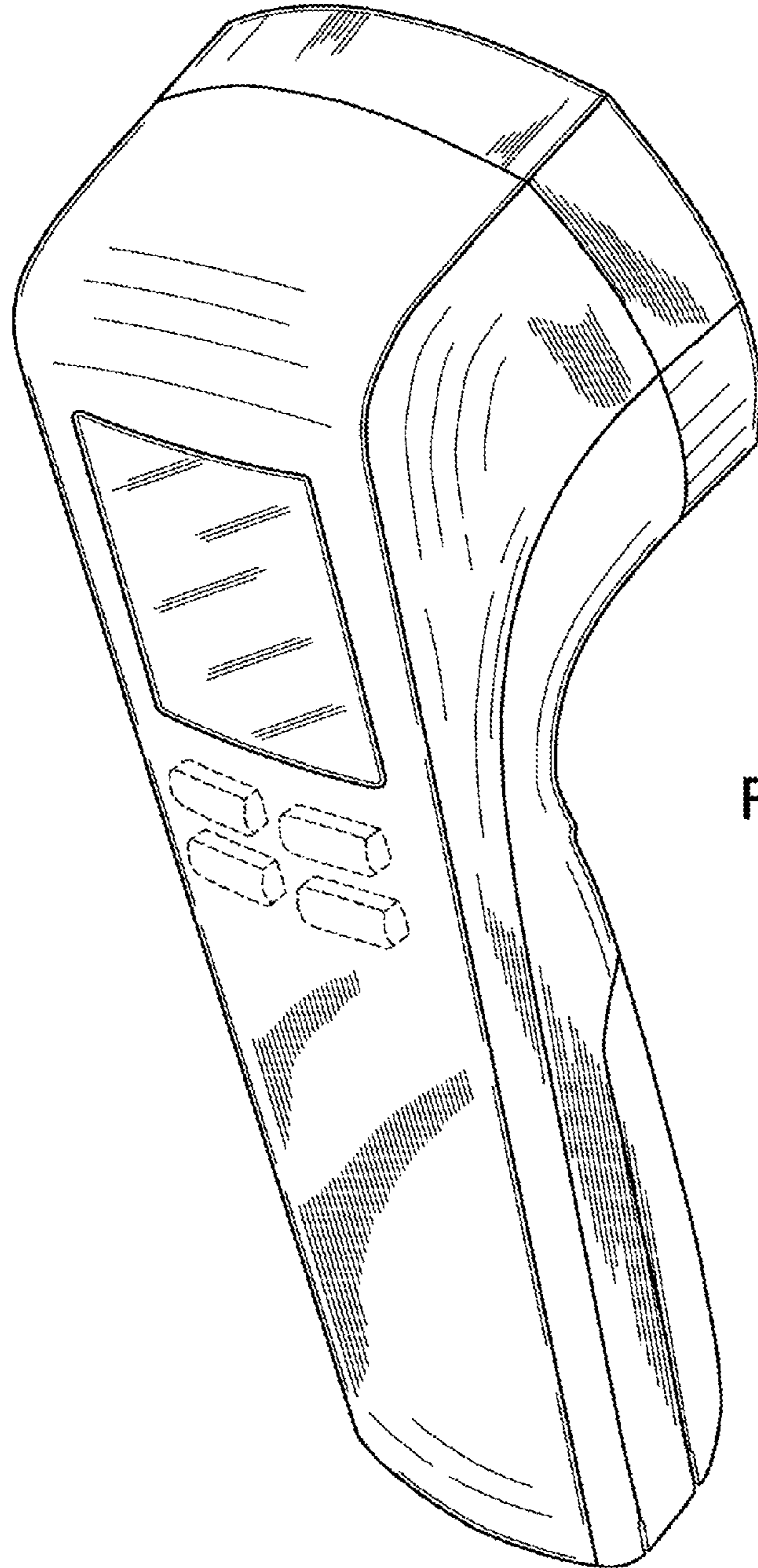


FIG. 18

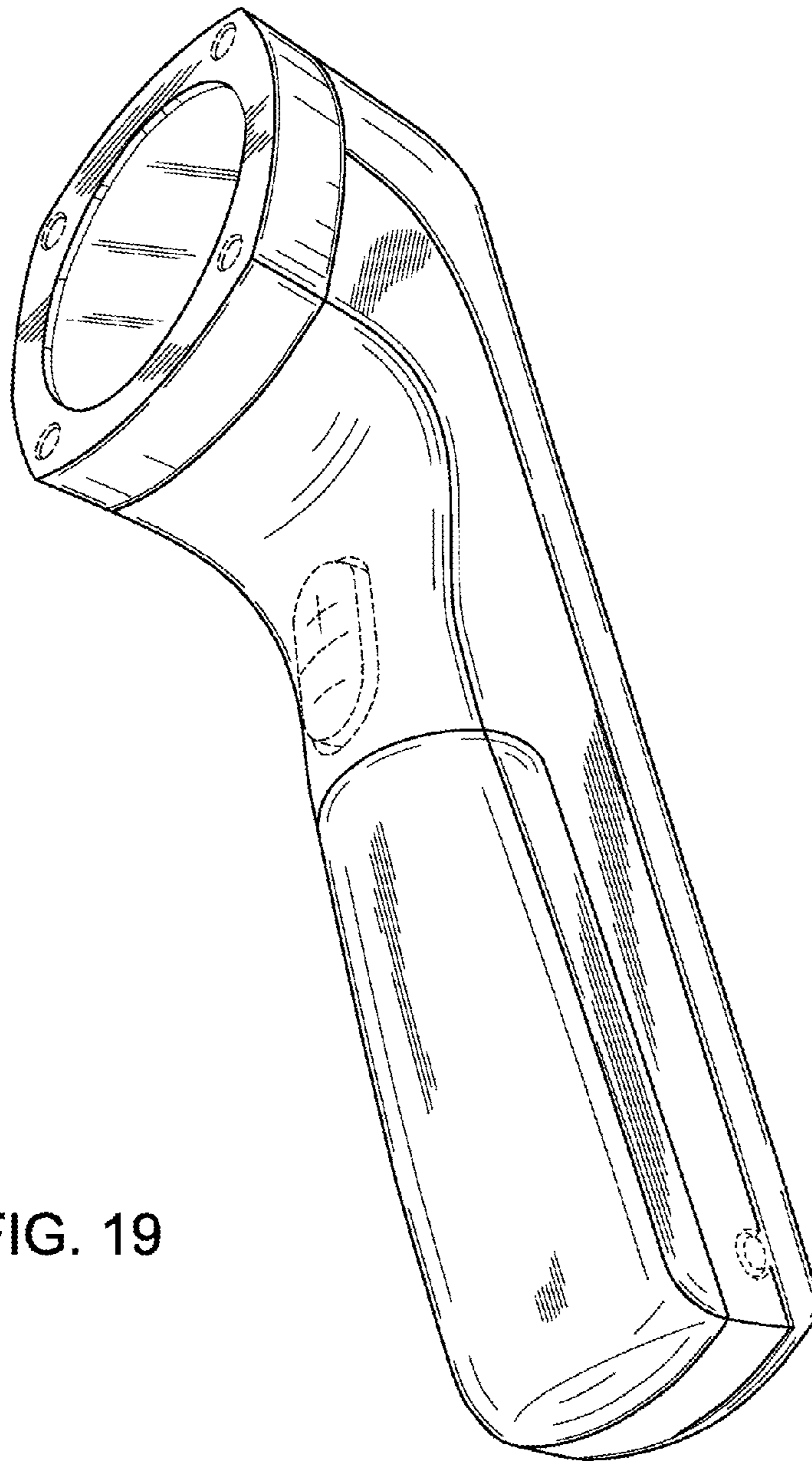


FIG. 19

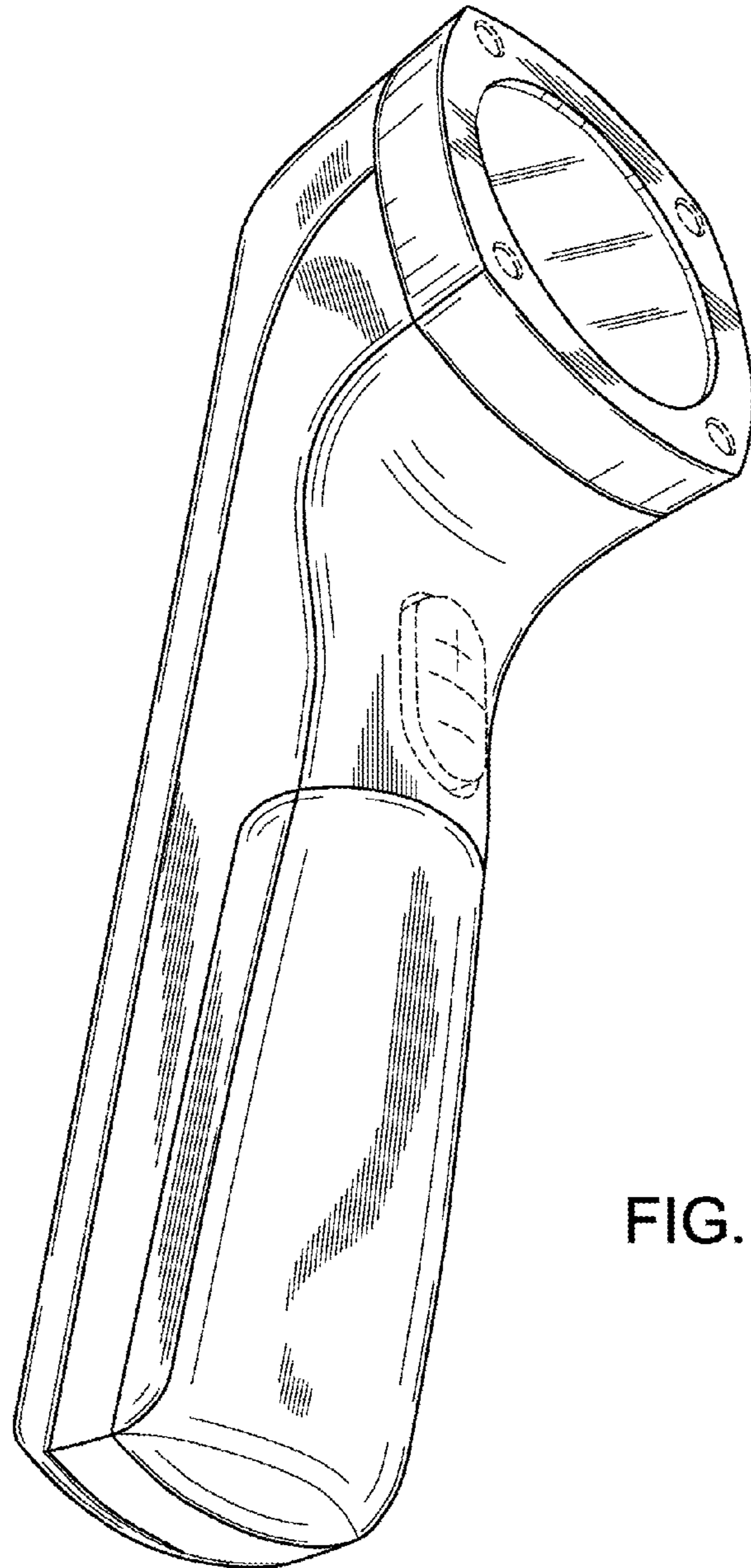


FIG. 20

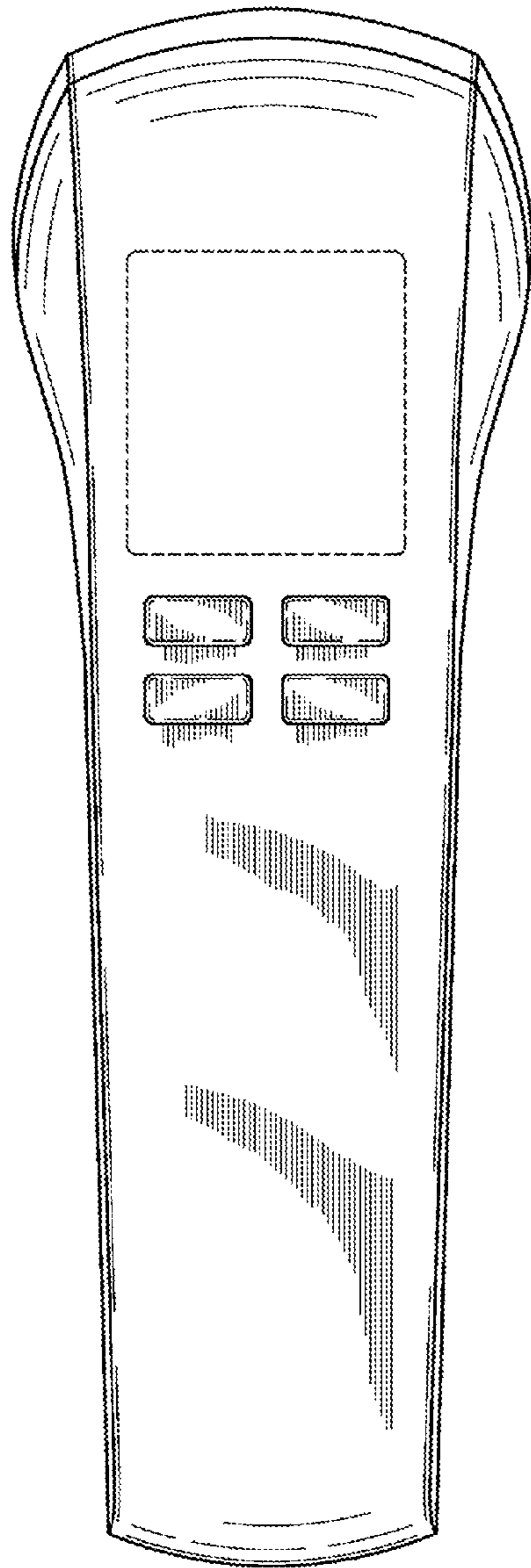


FIG. 21

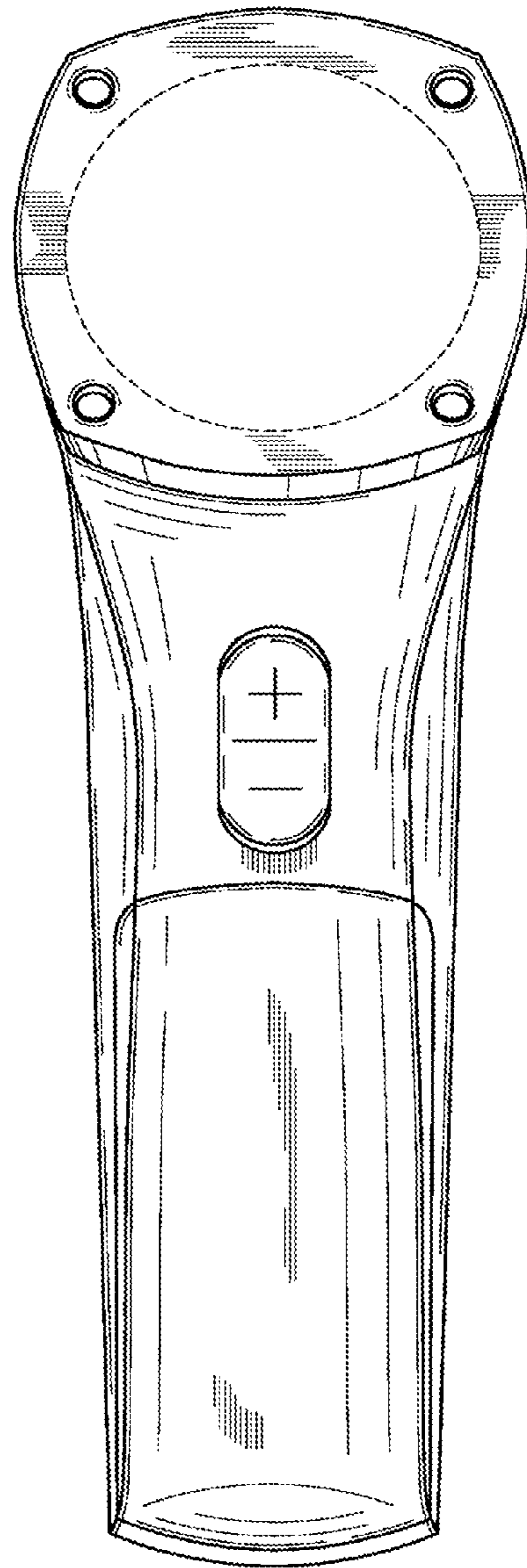


FIG. 22

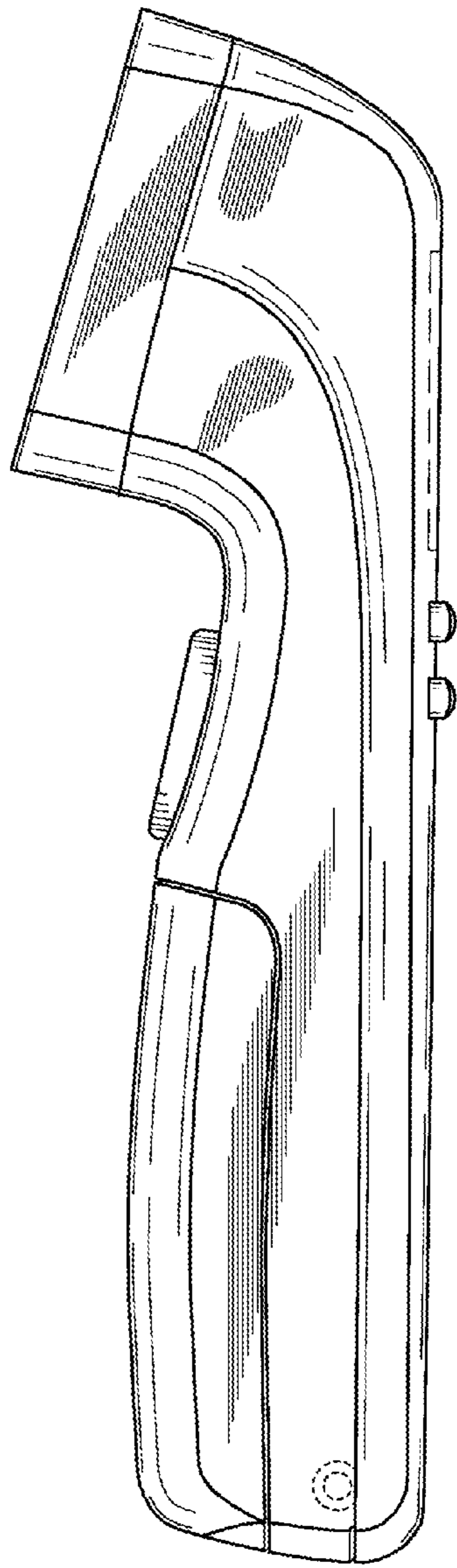


FIG. 23

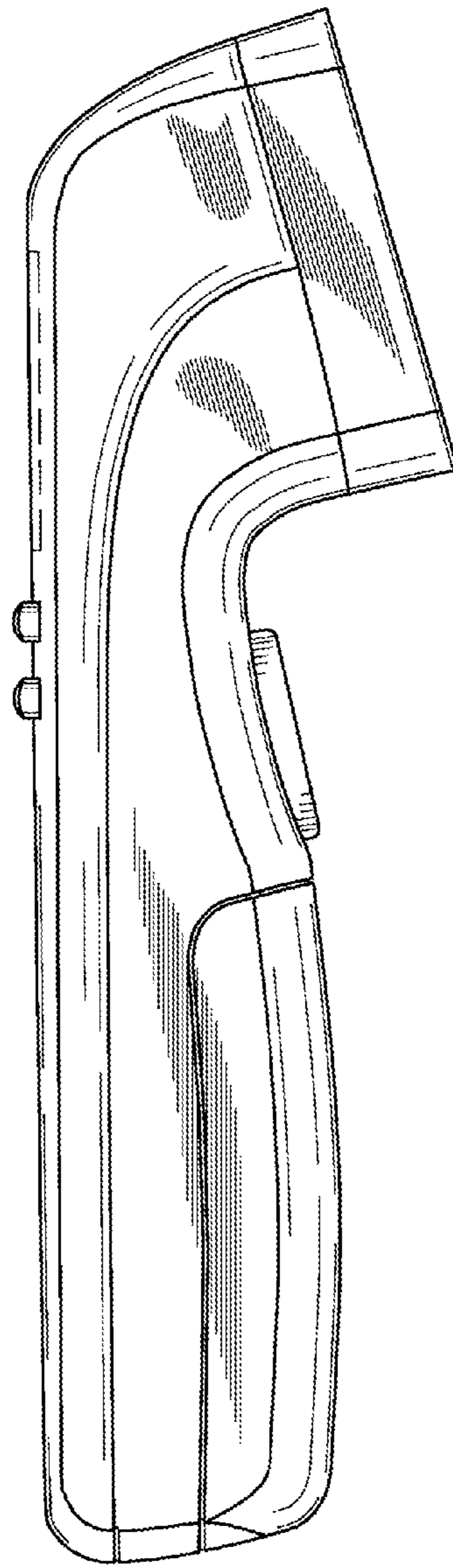


FIG. 24

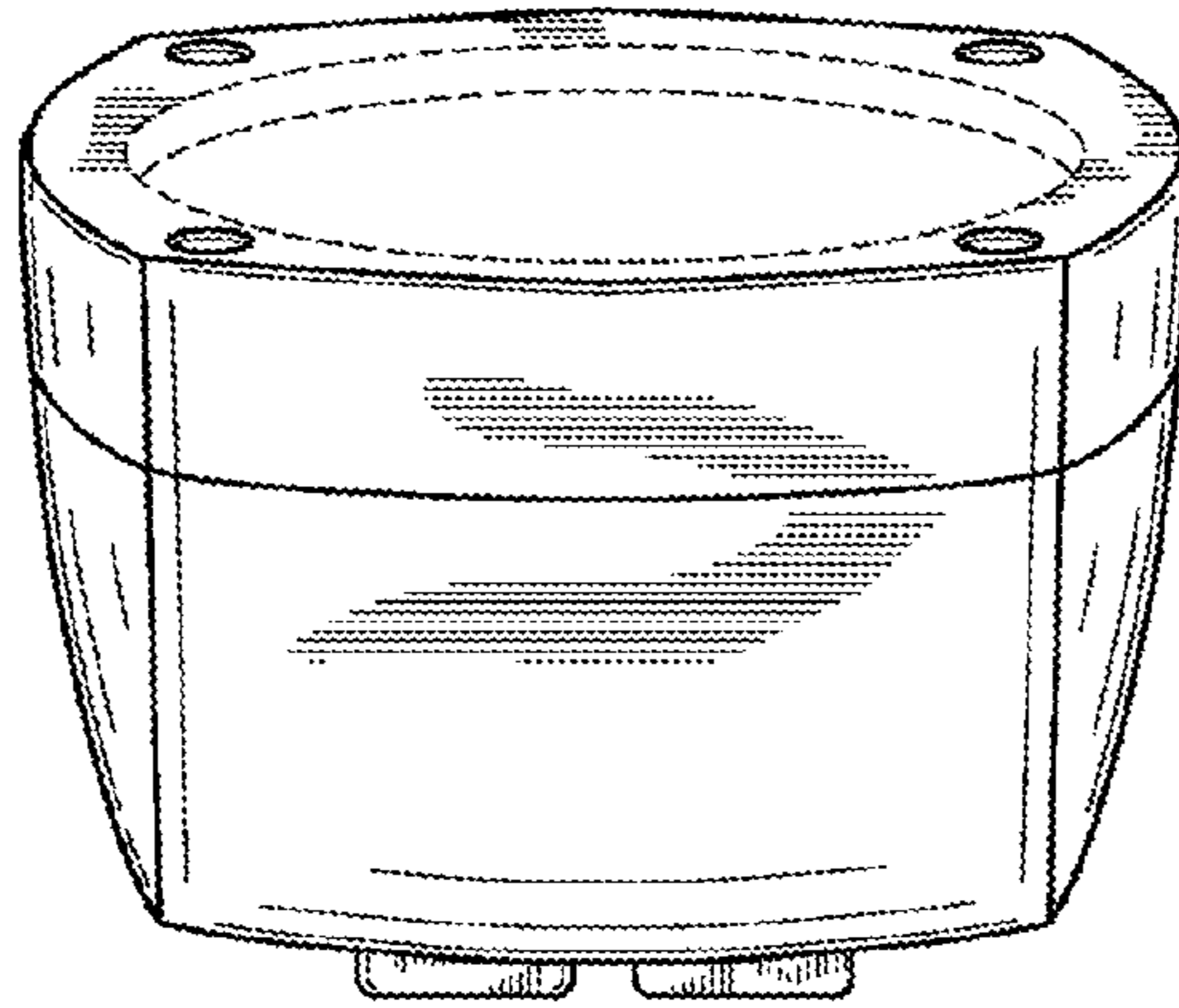


FIG. 25

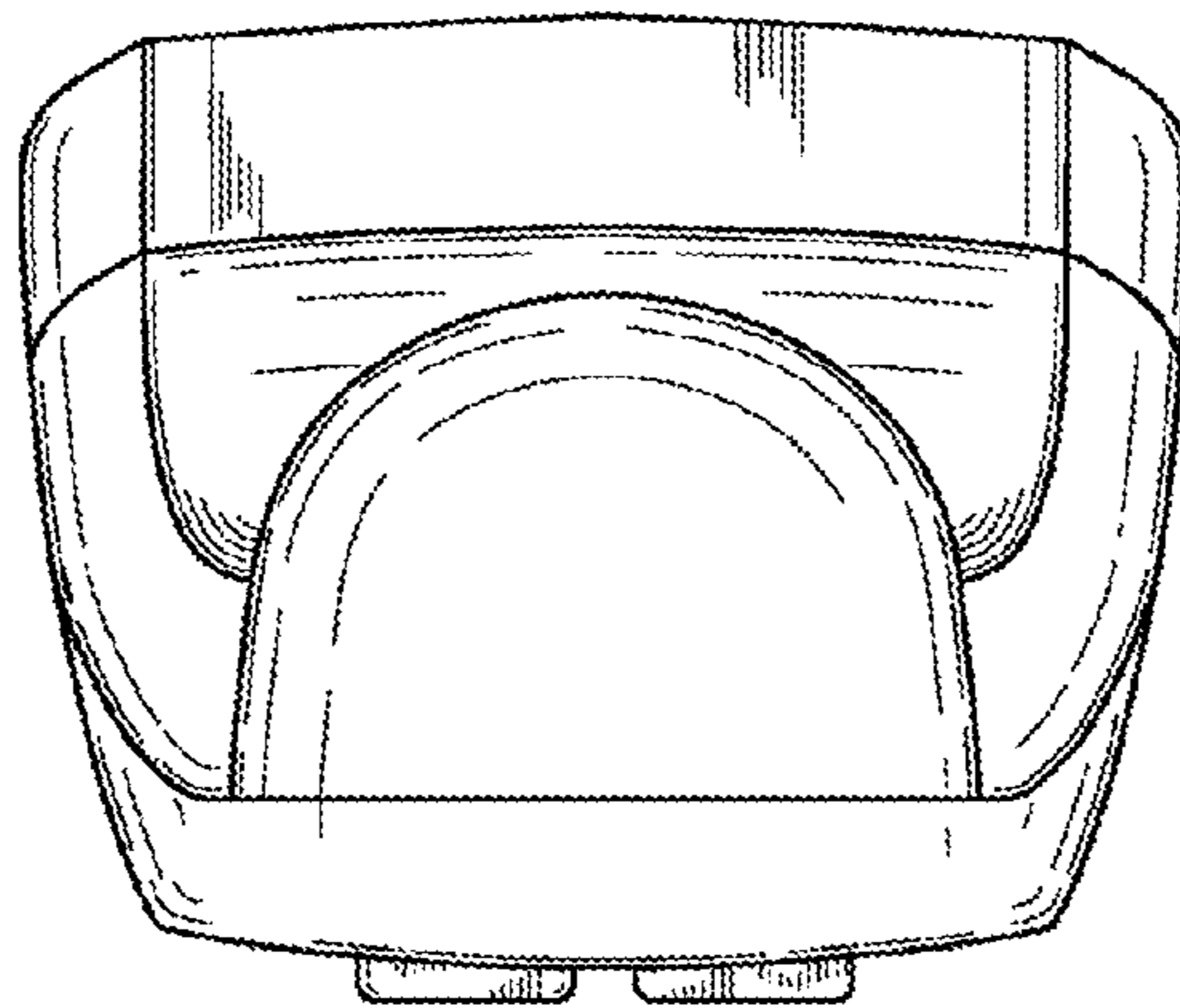


FIG. 26

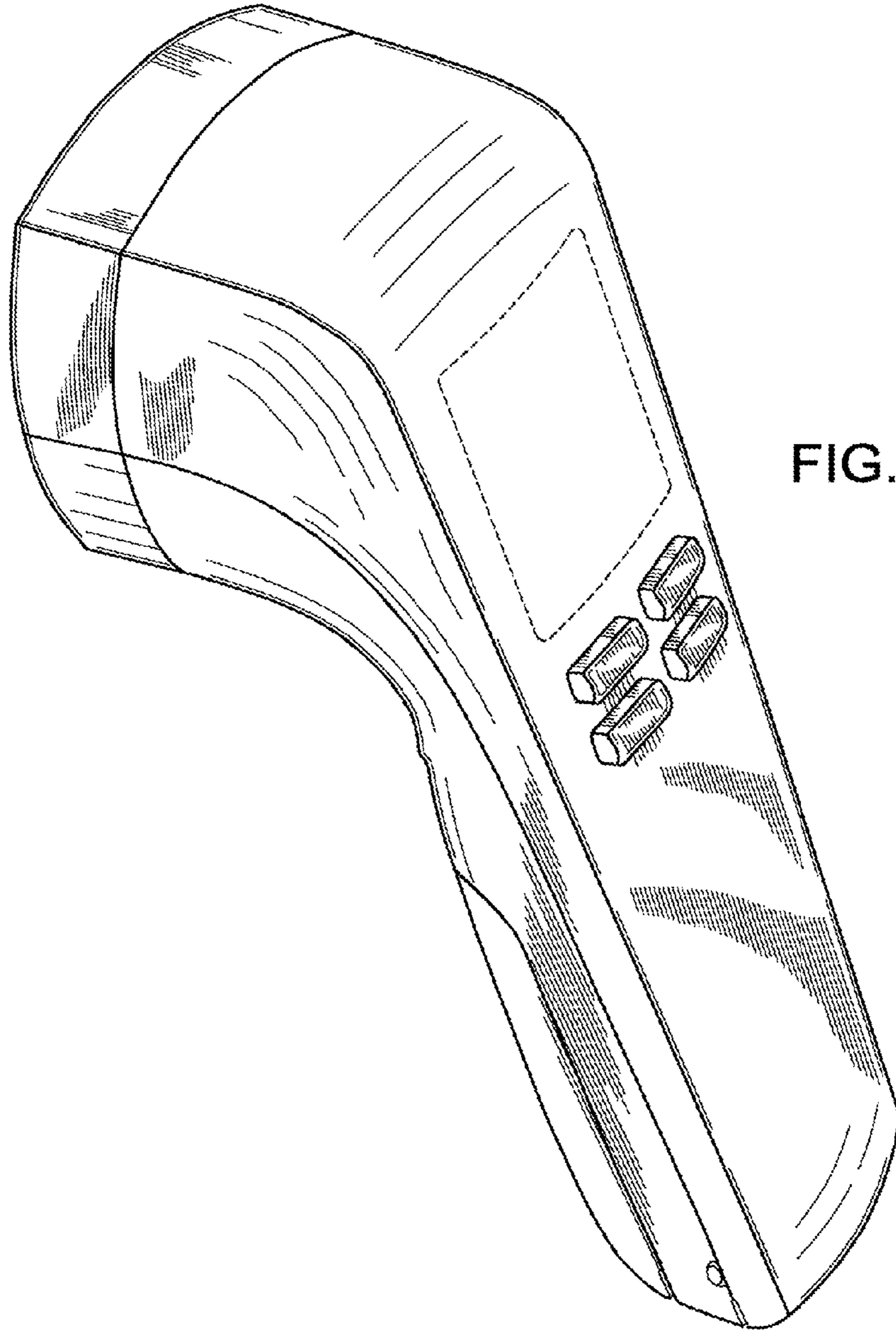


FIG. 27

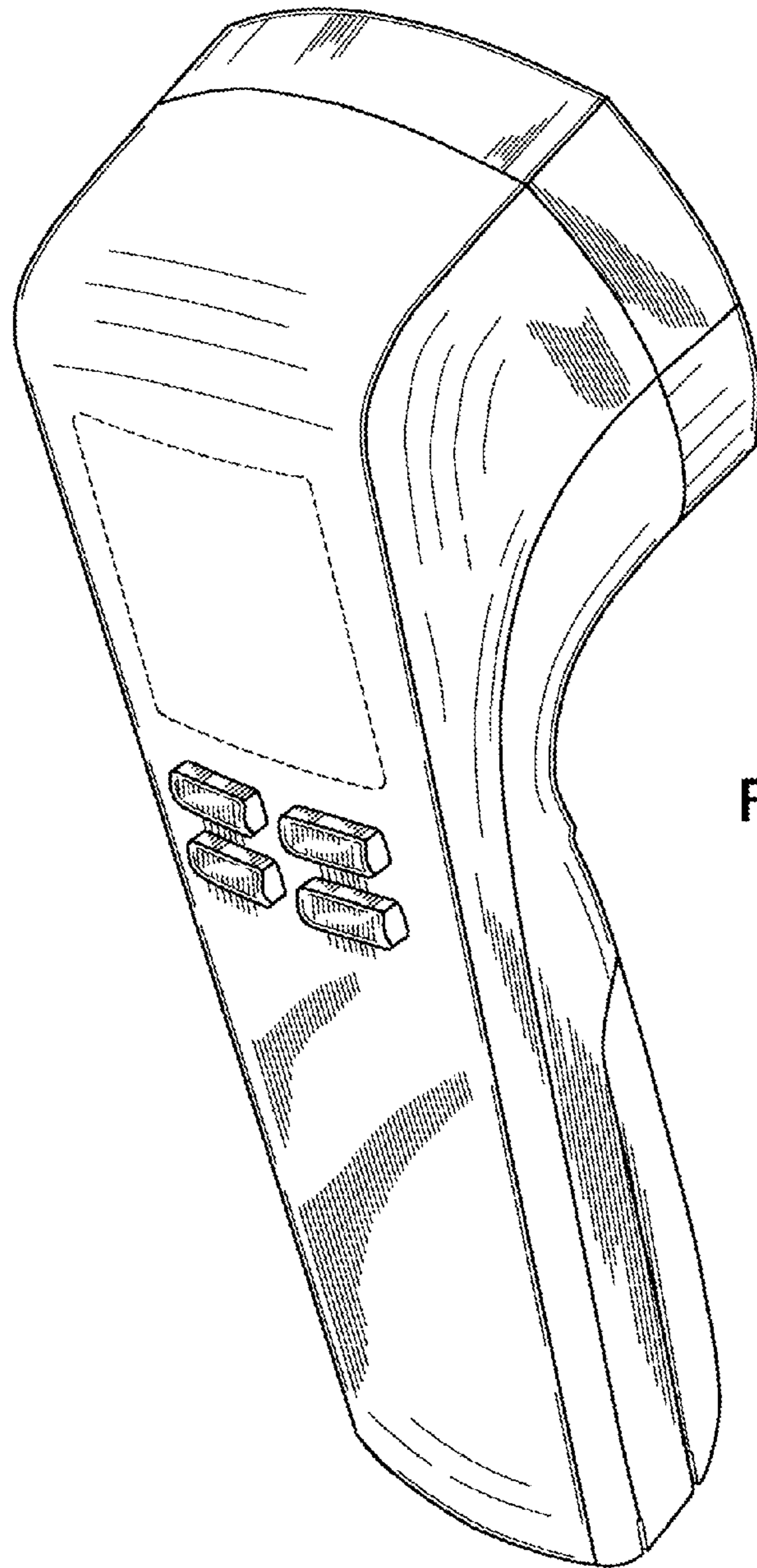


FIG. 28

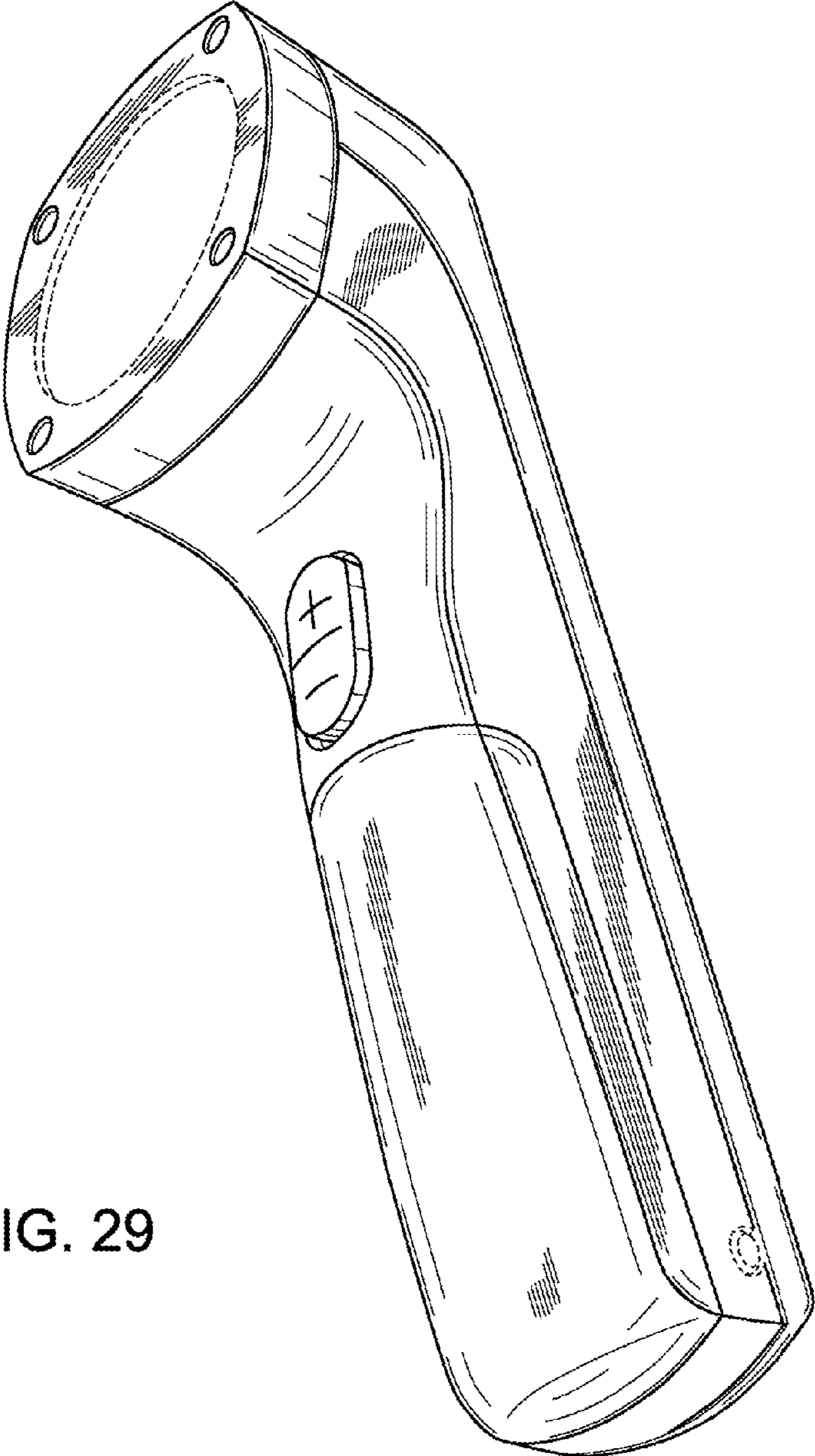


FIG. 29

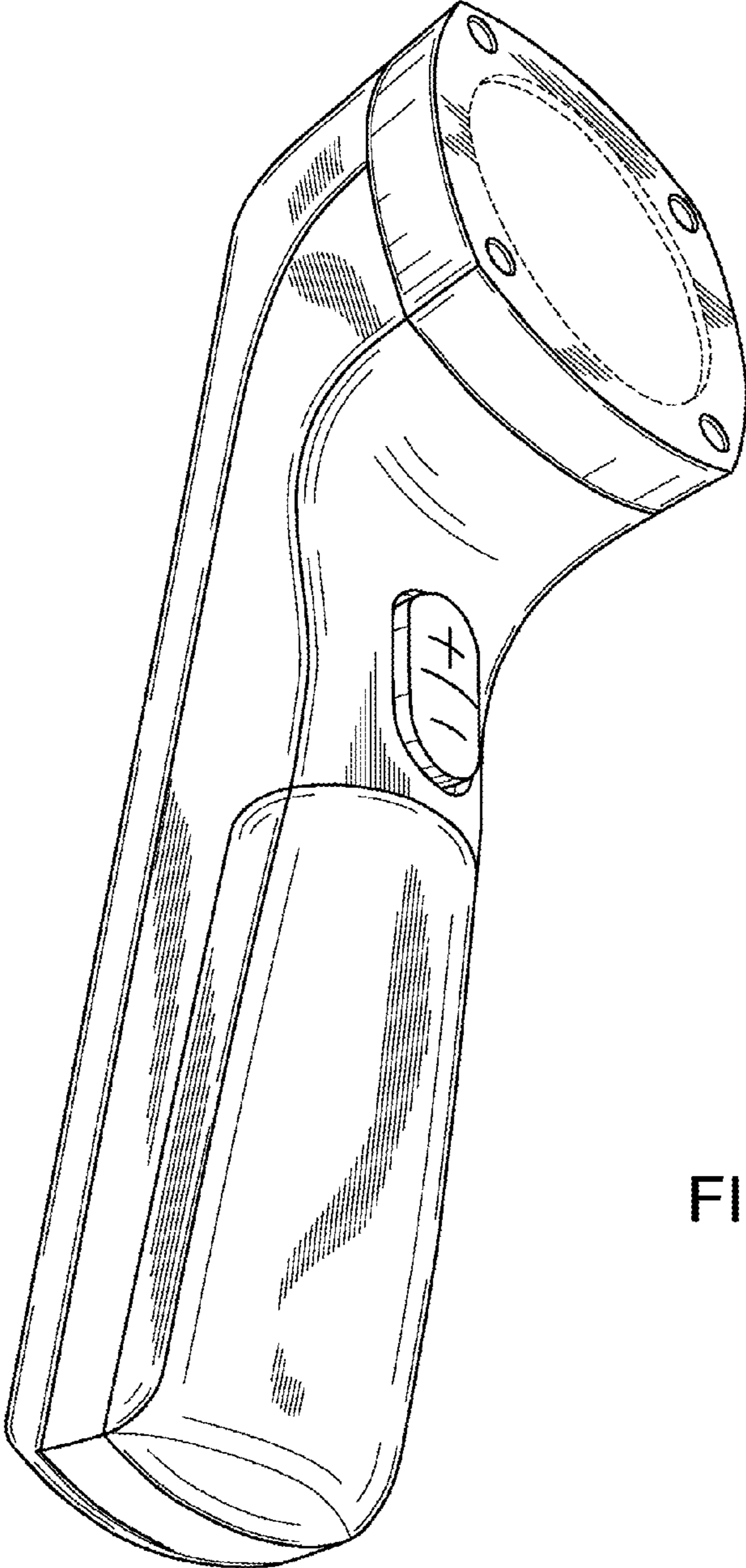


FIG. 30

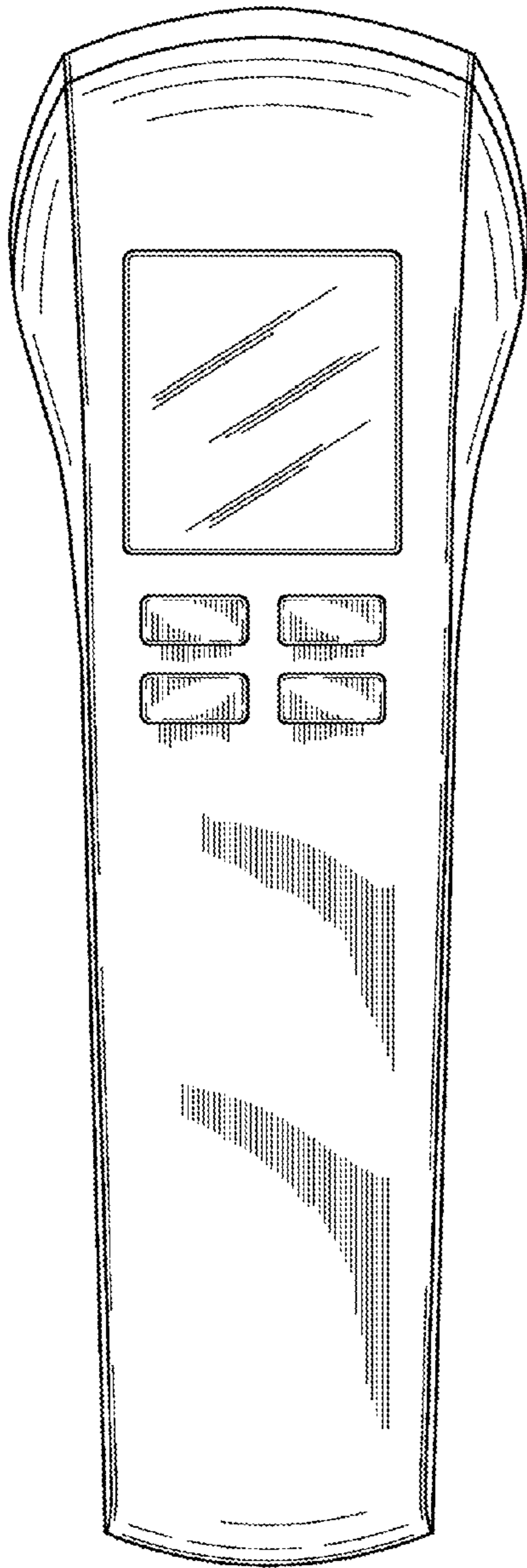


FIG. 31

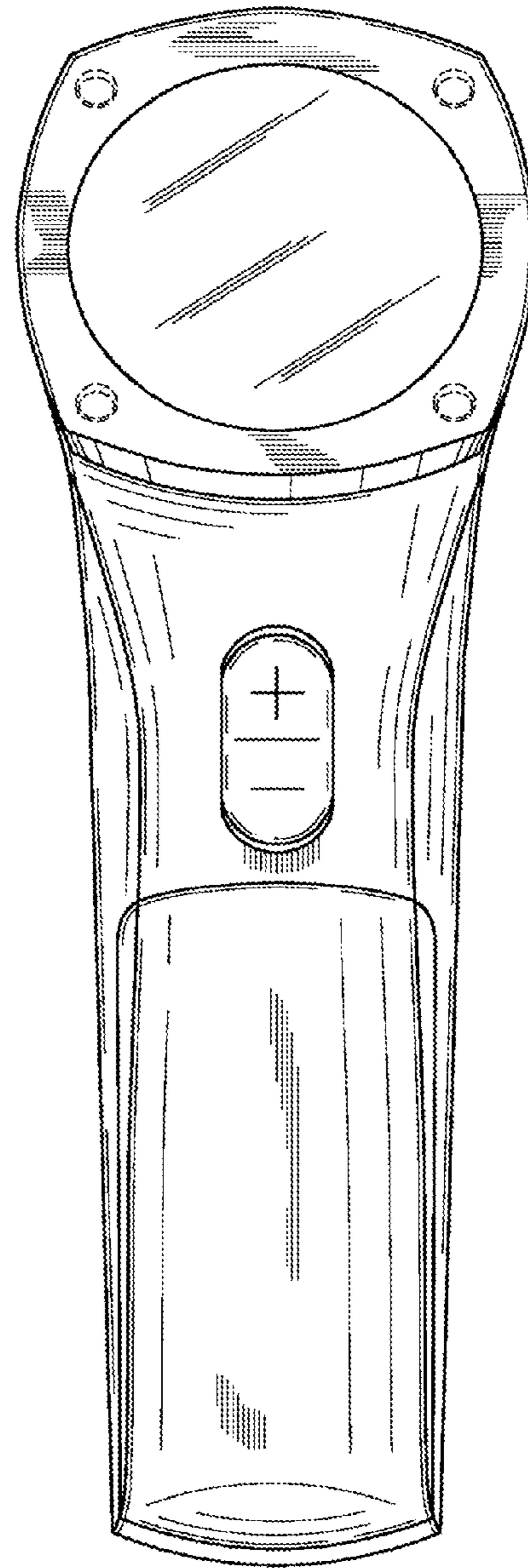


FIG. 32

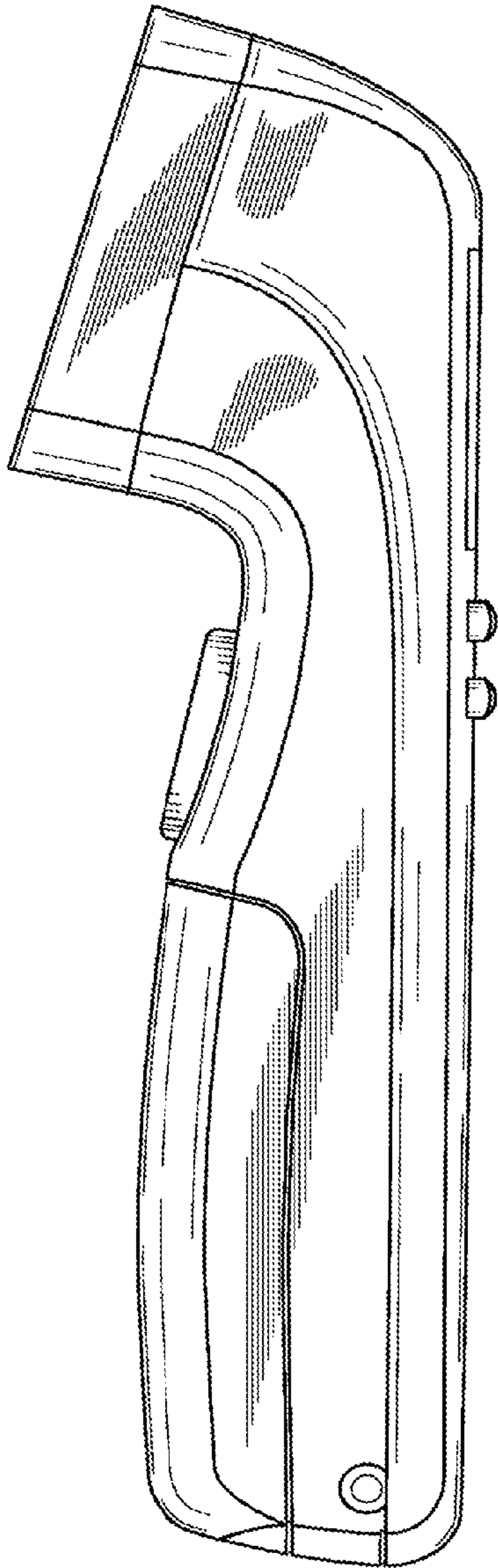


FIG. 33

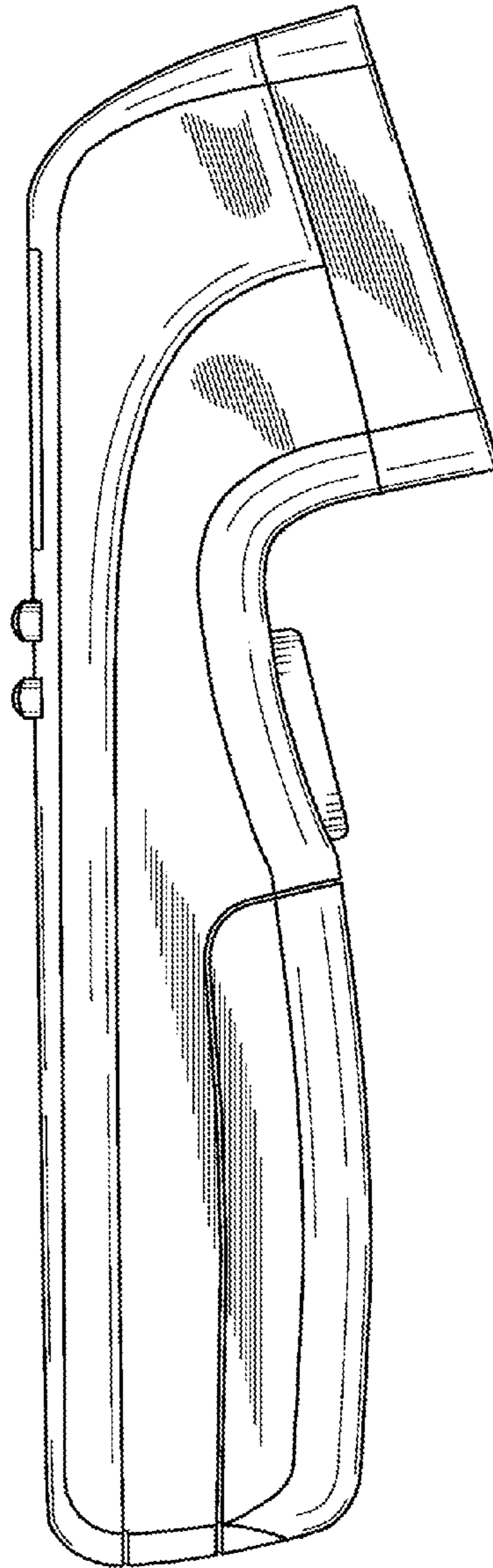


FIG. 34

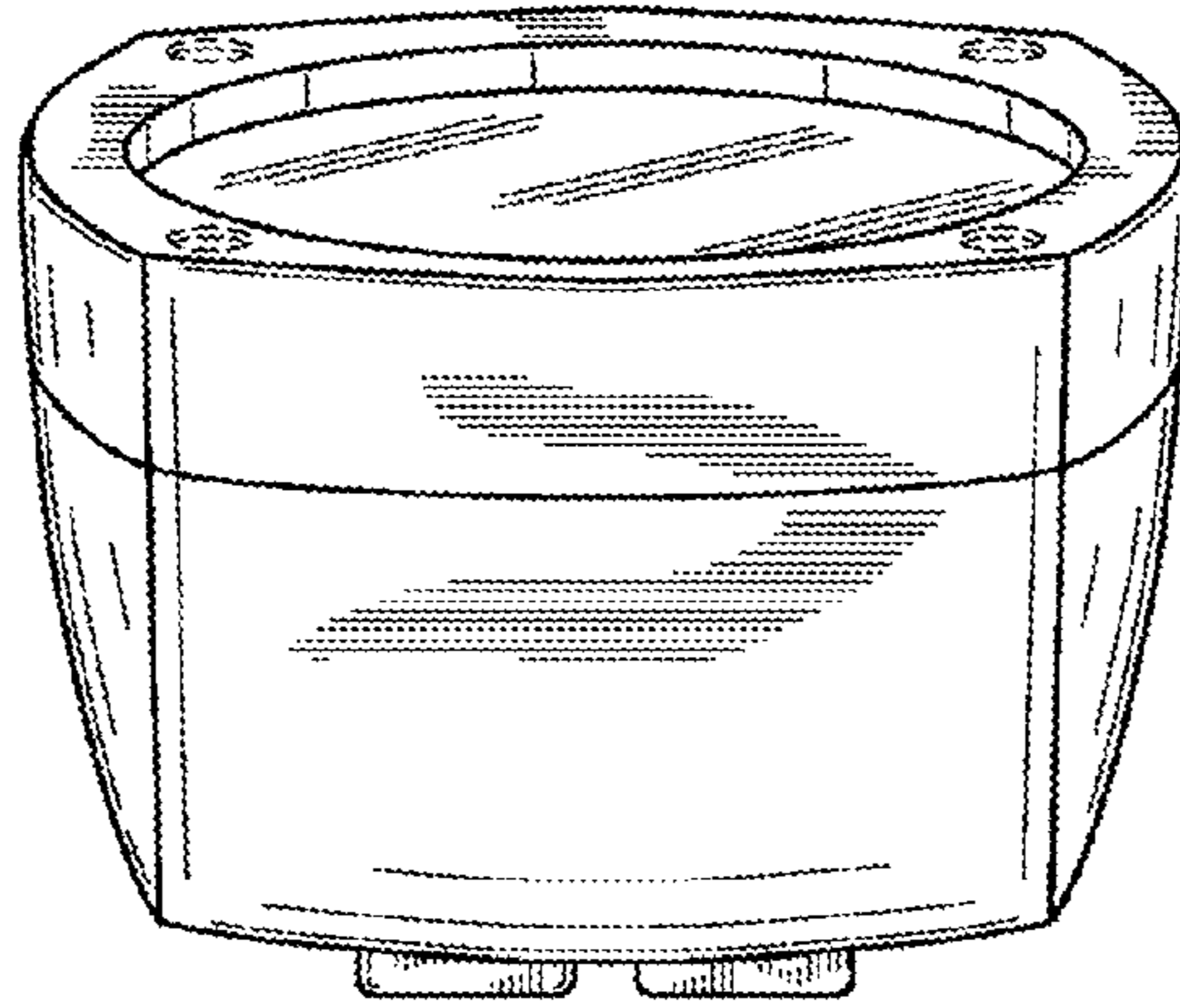


FIG. 35

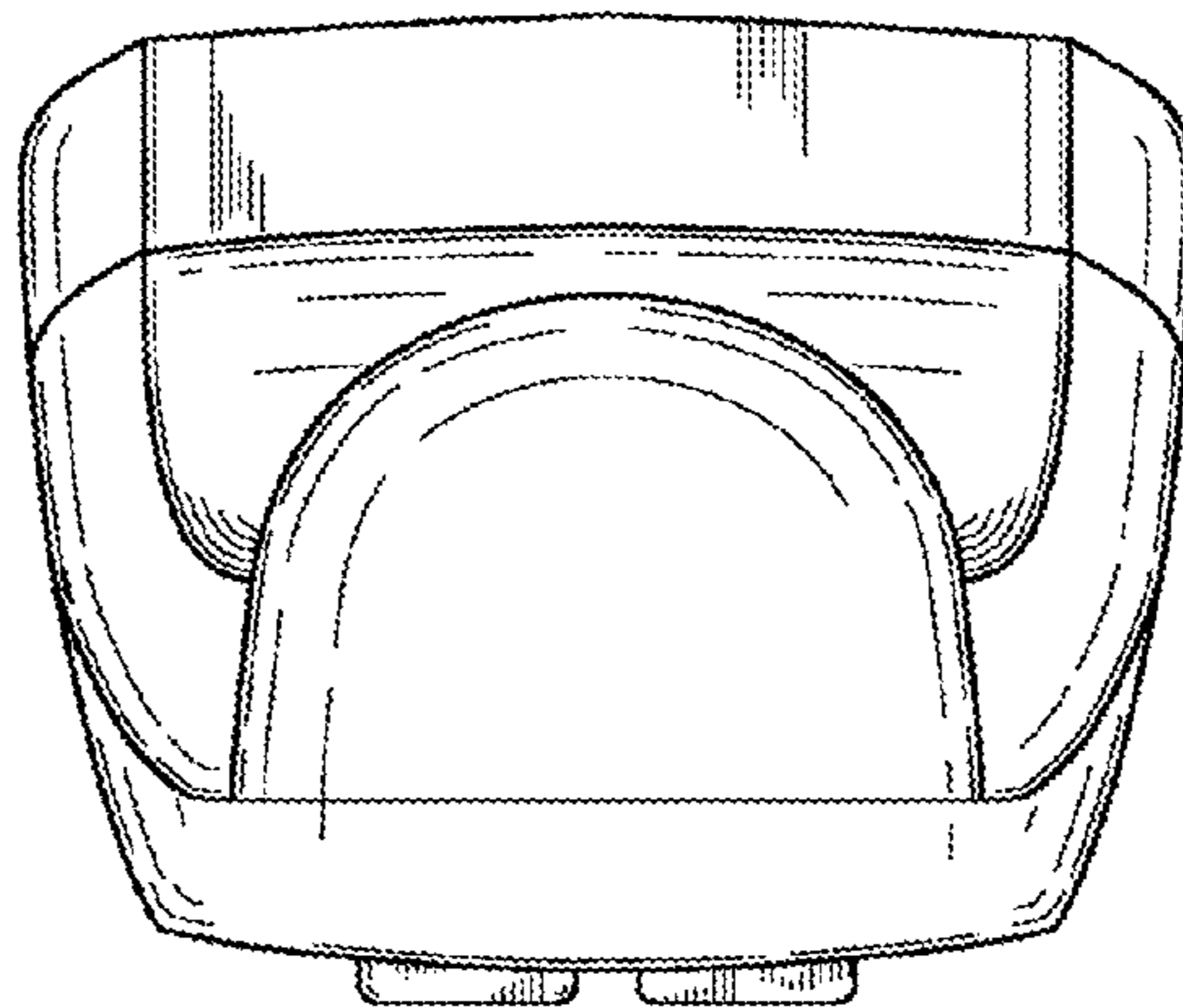


FIG. 36

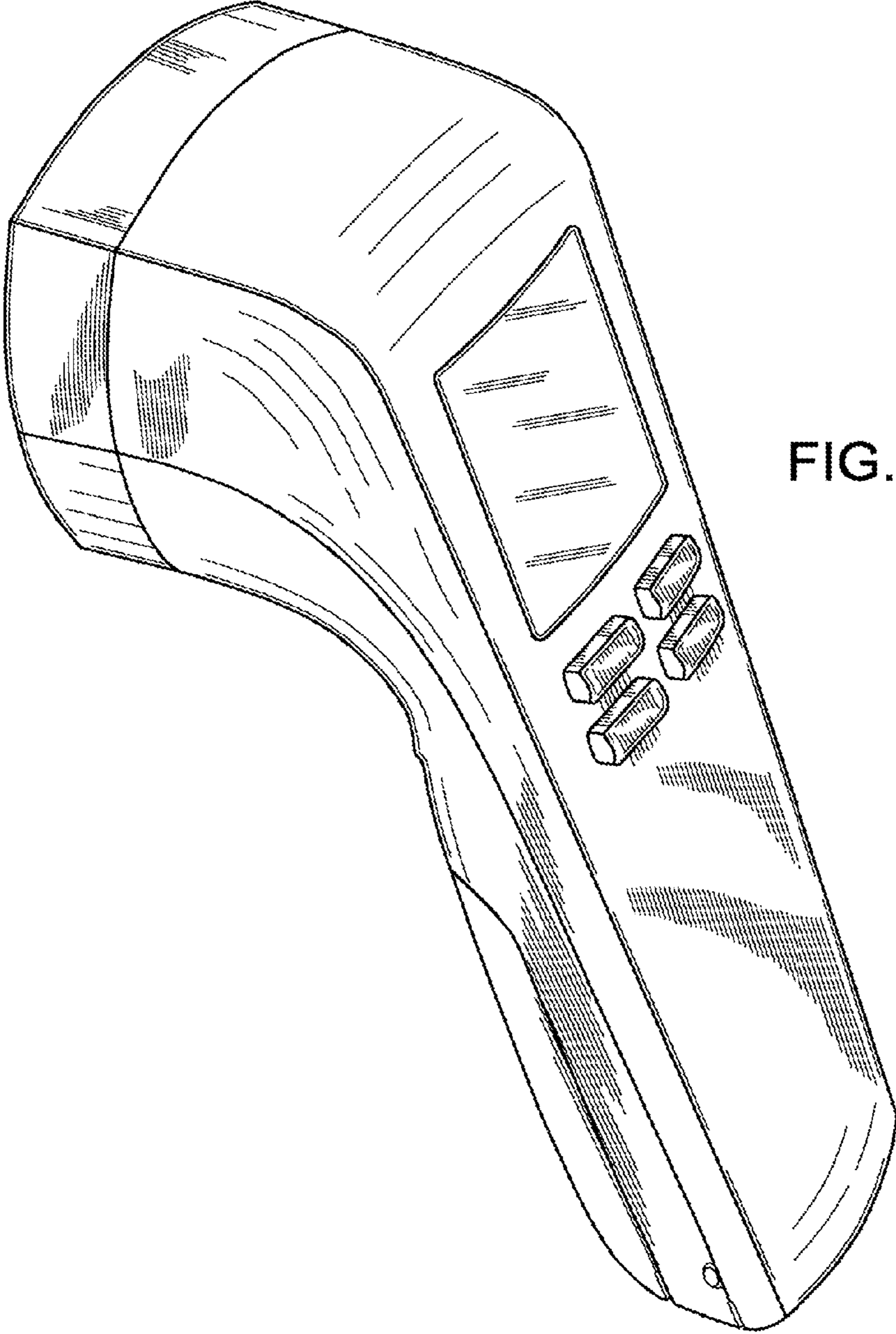


FIG. 37

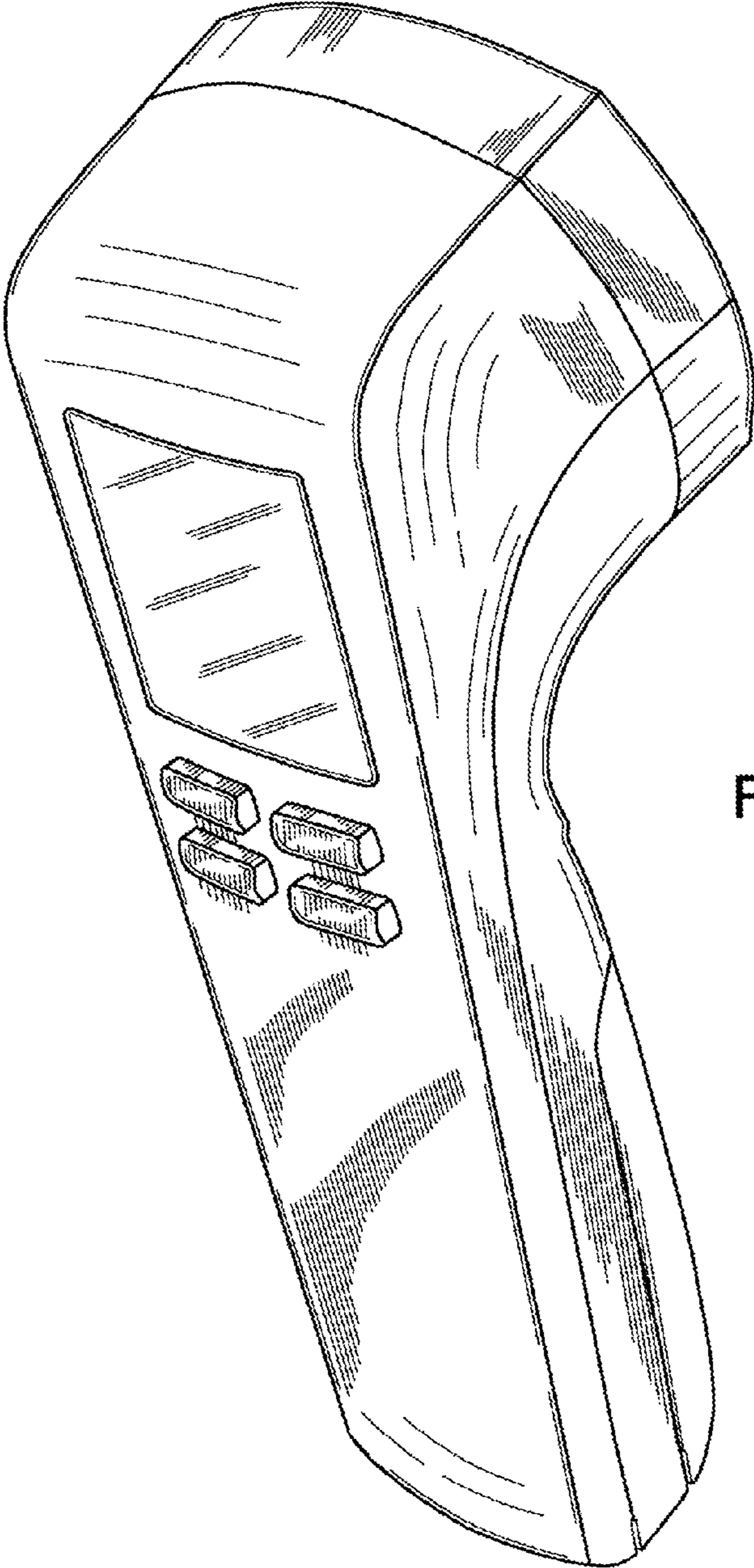


FIG. 38

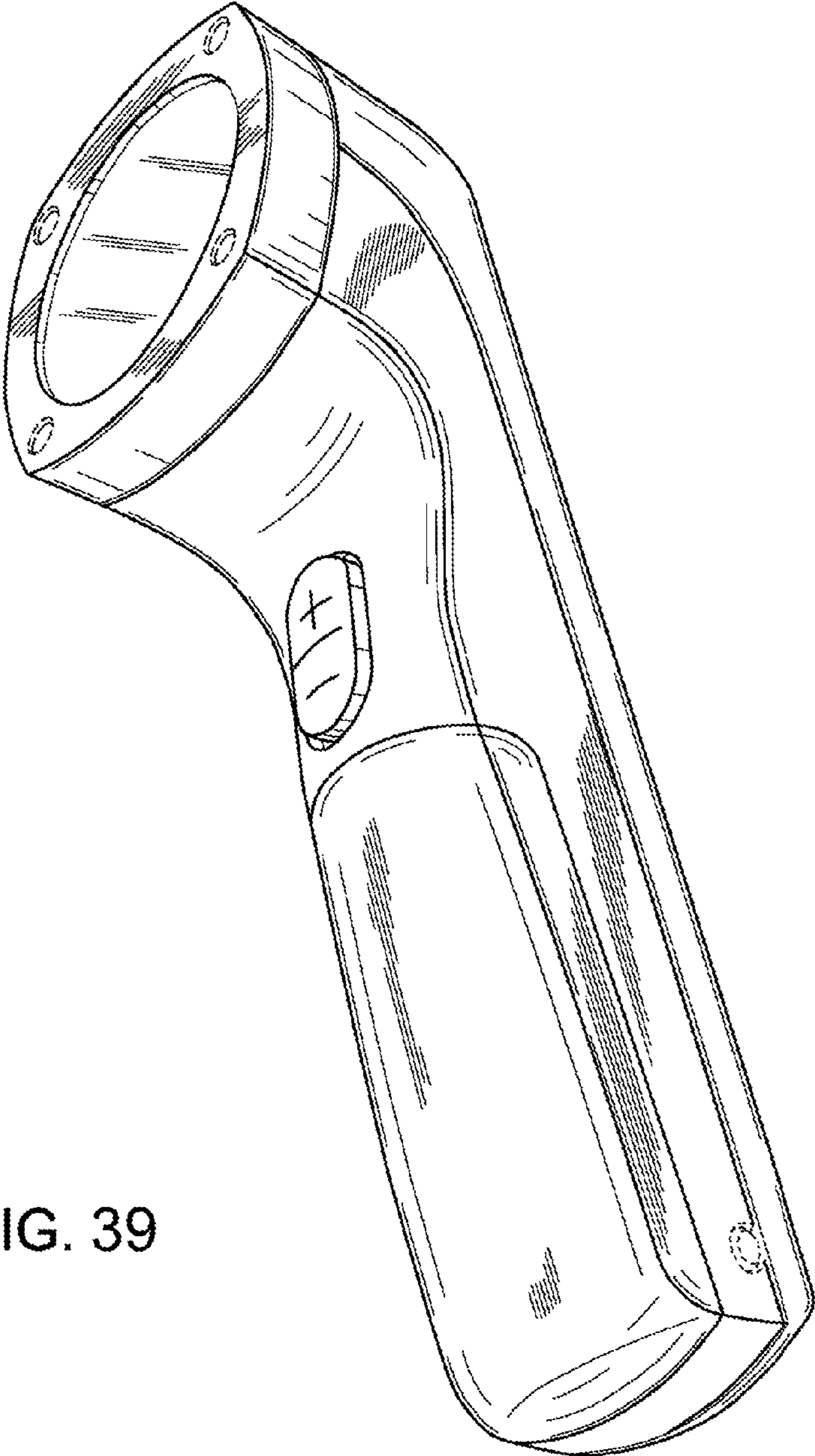


FIG. 39

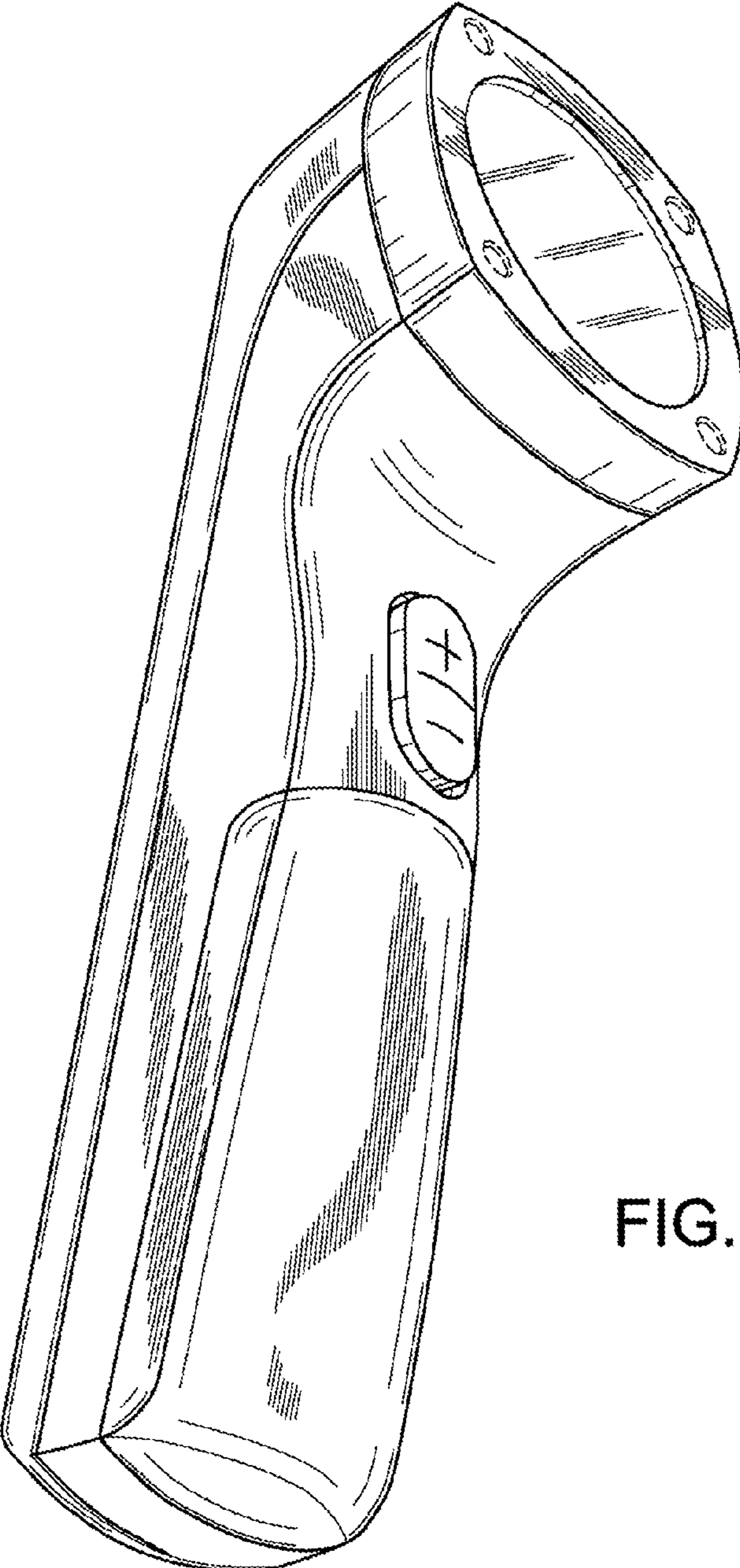


FIG. 40