



US00D750300S

(12) **United States Design Patent**  
**Frascella et al.**

(10) **Patent No.:** **US D750,300 S**

(45) **Date of Patent:** **\*\* Feb. 23, 2016**

(54) **VEHICLE TAILLIGHT**

(71) Applicant: **Jaguar Land Rover Limited**, Coventry (GB)

(72) Inventors: **Massimo Frascella**, Coventry (GB);  
**David Eburah**, Coventry (GB)

(73) Assignee: **Jaguar Land Rover Limited** (GB)

(\*\*) Term: **14 Years**

(21) Appl. No.: **29/501,244**

(22) Filed: **Sep. 2, 2014**

(30) **Foreign Application Priority Data**

Mar. 5, 2014 (EM) ..... 002417899  
Mar. 5, 2014 (EM) ..... 002417907

(51) **LOC (10) Cl.** ..... **26-06**

(52) **U.S. Cl.**  
USPC ..... **D26/28**

(58) **Field of Classification Search**  
USPC ..... D26/28-36; 362/459-468, 475-478,  
362/485-487  
CPC ..... F21S 48/00; F21S 48/10; F21S 48/115;  
F21S 48/225; F21S 48/1233; F21S 48/1266;  
F21S 48/1388; F21S 48/2268; F21V 21/04  
See application file for complete search history.

(56) **References Cited**

**U.S. PATENT DOCUMENTS**

D549,363 S \* 8/2007 Pfeiffer ..... D26/28  
D552,769 S \* 10/2007 Leclercq ..... D26/28  
D553,269 S \* 10/2007 Pfeiffer ..... D26/28  
D570,015 S \* 5/2008 Hsu ..... D26/28  
D574,524 S \* 8/2008 Tomatsu ..... D26/28

\* cited by examiner

*Primary Examiner* — Marcus Jackson

(74) *Attorney, Agent, or Firm* — Fishman Stewart PLLC

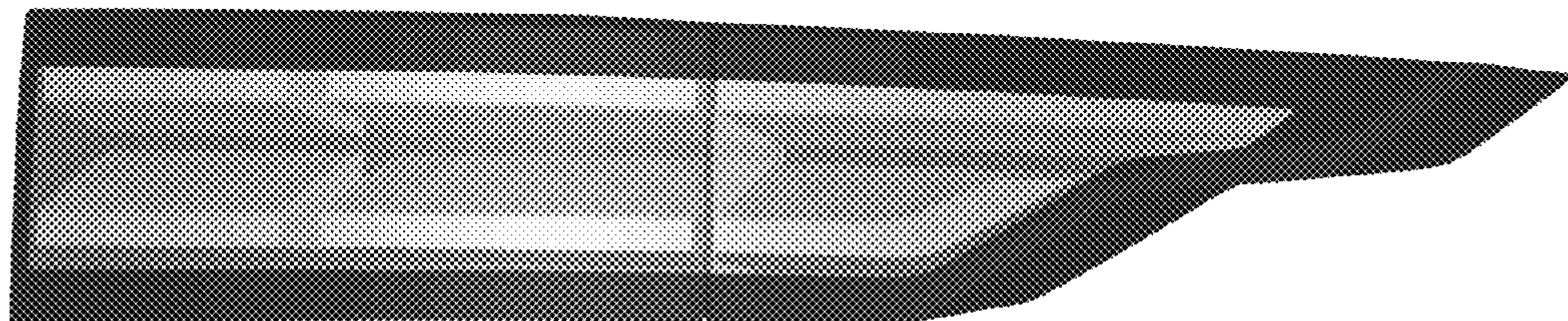
(57) **CLAIM**

The ornamental design for a vehicle taillight, as shown and described.

**DESCRIPTION**

FIG. 1 is a front perspective view of a vehicle taillight; FIG. 2 is a rear perspective view of a vehicle taillight; FIG. 3 is a front view of a vehicle taillight; FIG. 4 is a rear view of a vehicle taillight; FIG. 5 is a left side view of a vehicle taillight; FIG. 6 is a right side view of a vehicle taillight; FIG. 7 is a top view of a vehicle taillight; FIG. 8 is a front perspective view of a first vehicle sub-component; FIG. 9 is a supplemental front perspective view of a first vehicle sub-component; FIG. 10 is a left perspective side view of a first vehicle sub-component; FIG. 11 is a right perspective side view of a first vehicle sub-component; FIG. 12 is a left side view of a first vehicle sub-component; FIG. 13 is a right side view of a first vehicle sub-component; FIG. 14 is right side view of a first vehicle sub-component; FIG. 15 is a front perspective view of a second vehicle sub-component; FIG. 16 is a right perspective view of a second vehicle sub-component; FIG. 17 is a front view of a second vehicle sub-component; FIG. 18 is a rear view of a second vehicle sub-component; FIG. 19 is a left side view of a second vehicle sub-component; FIG. 20 is a right side view of a second vehicle sub-component; FIG. 21 is a top view of a second vehicle sub-component; and, FIG. 22 is a supplemental perspective of vehicle with the first vehicle sub-component and the second vehicle sub-component forming the vehicle component in the installed position. Portions of FIGS. 1-22 shown in diagonal lines are for illustrative purposes only and form no part of the claimed design.

**1 Claim, 13 Drawing Sheets**



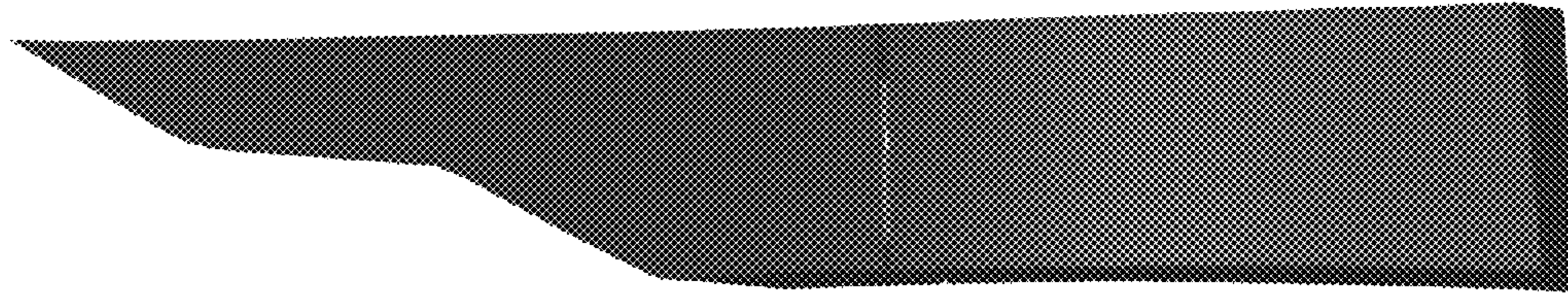


FIG. 1

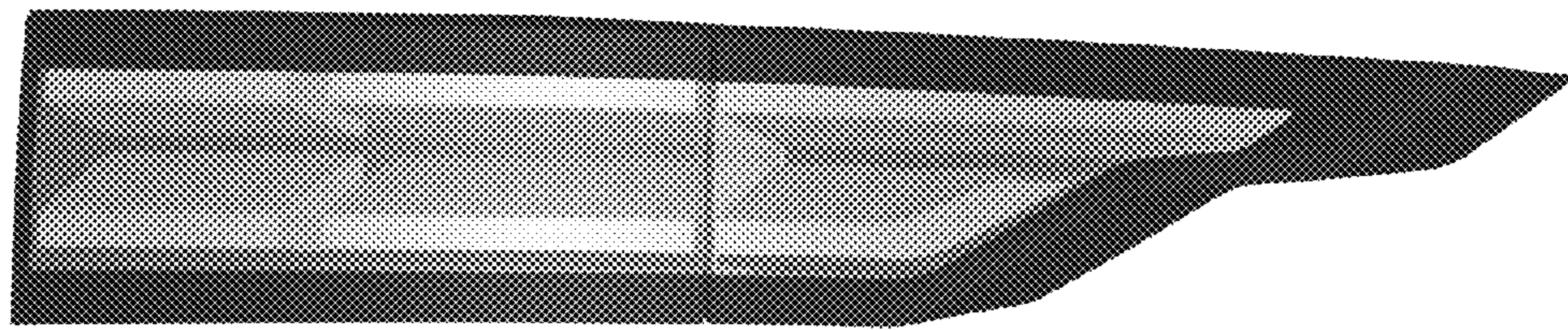


FIG. 2



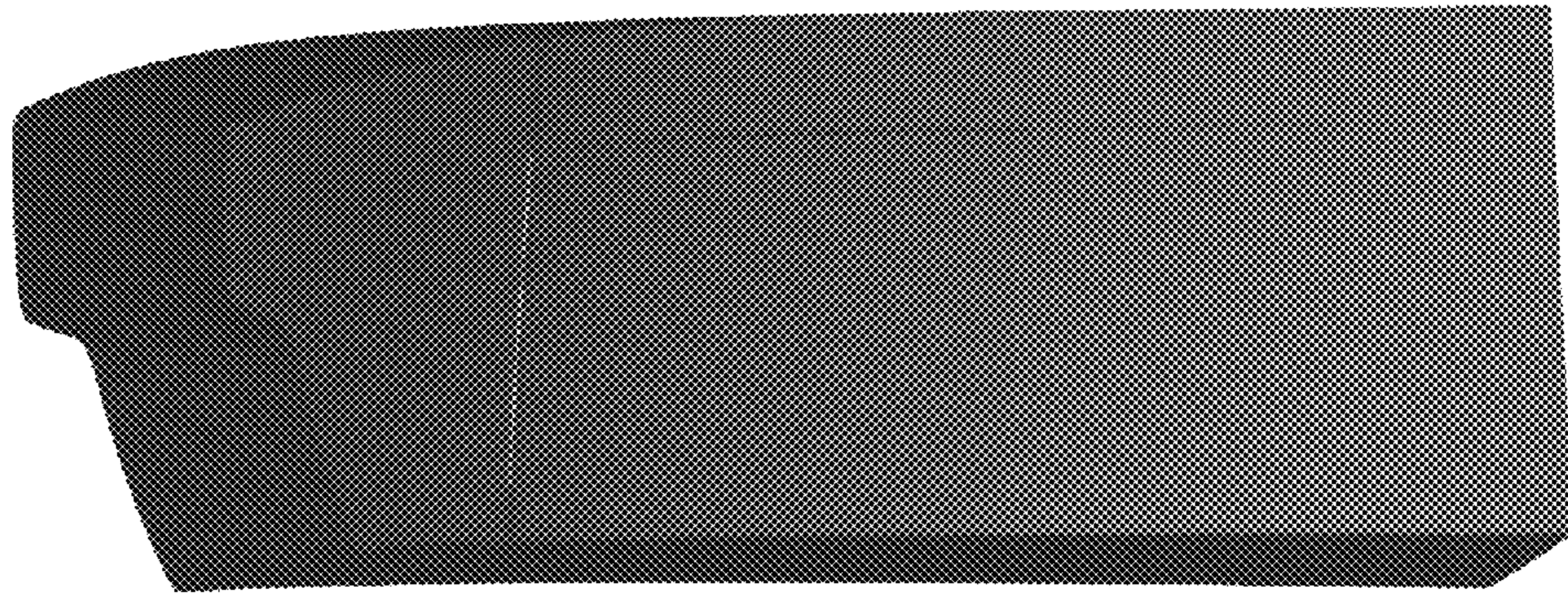


FIG. 3

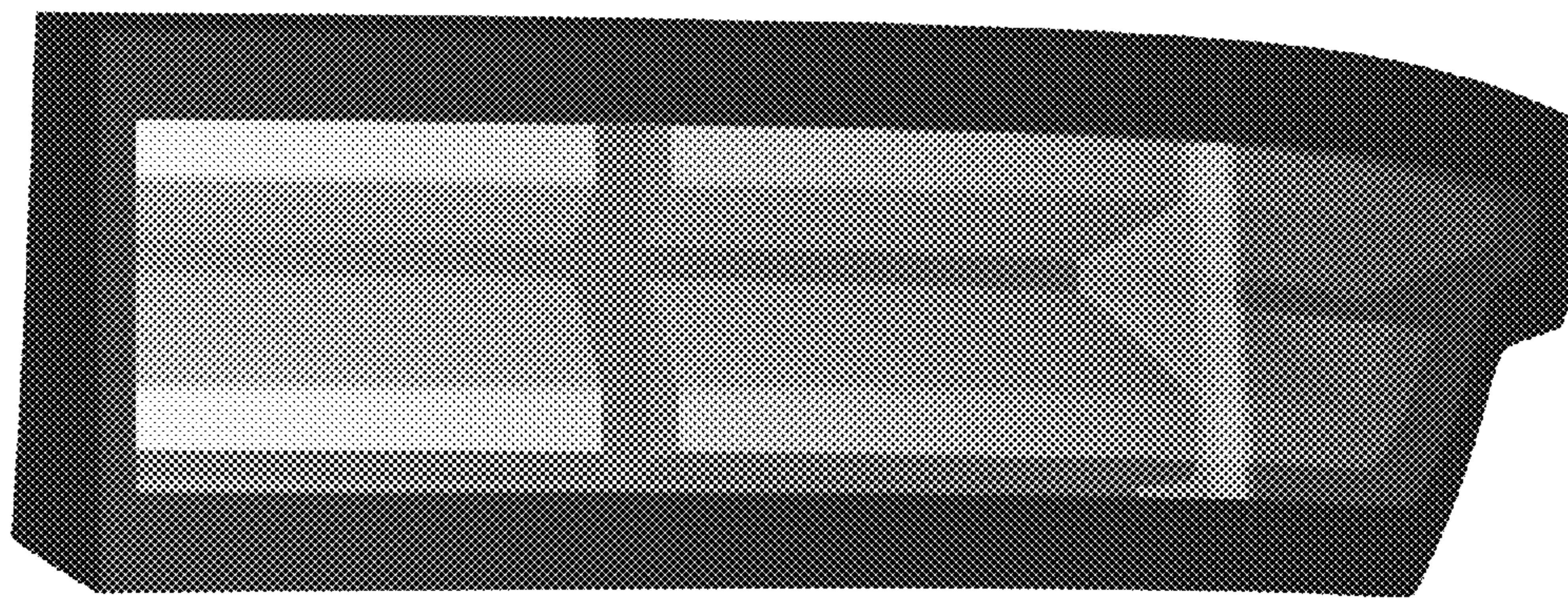


FIG. 4



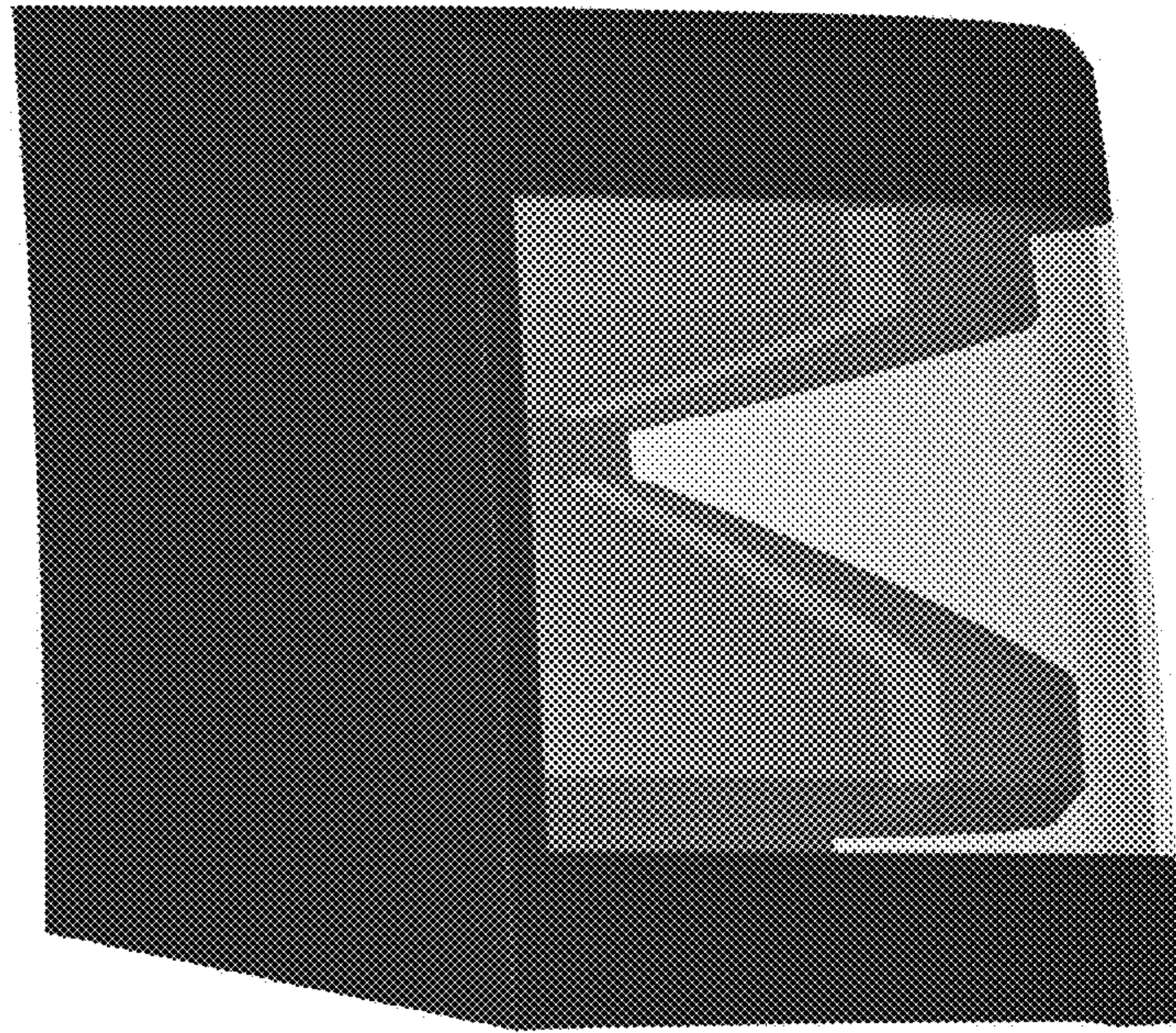


FIG. 5

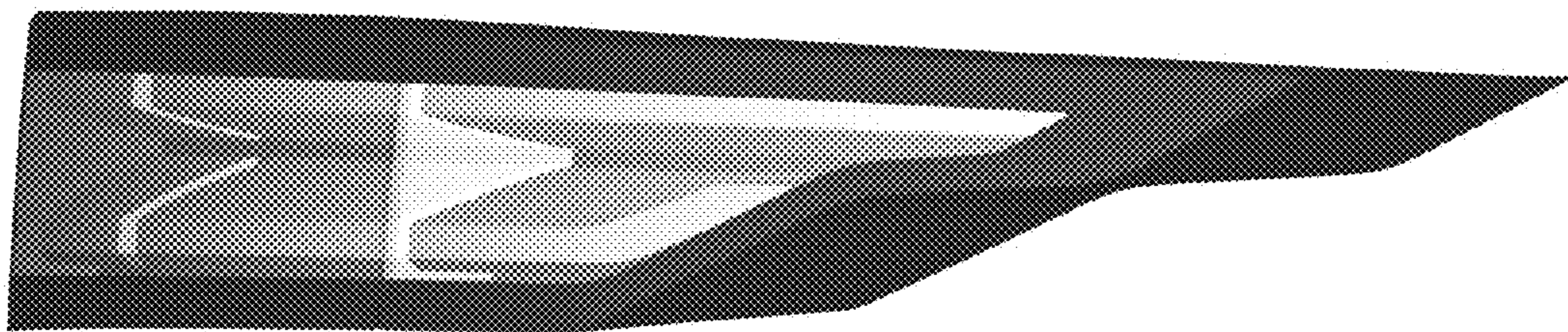


FIG. 6

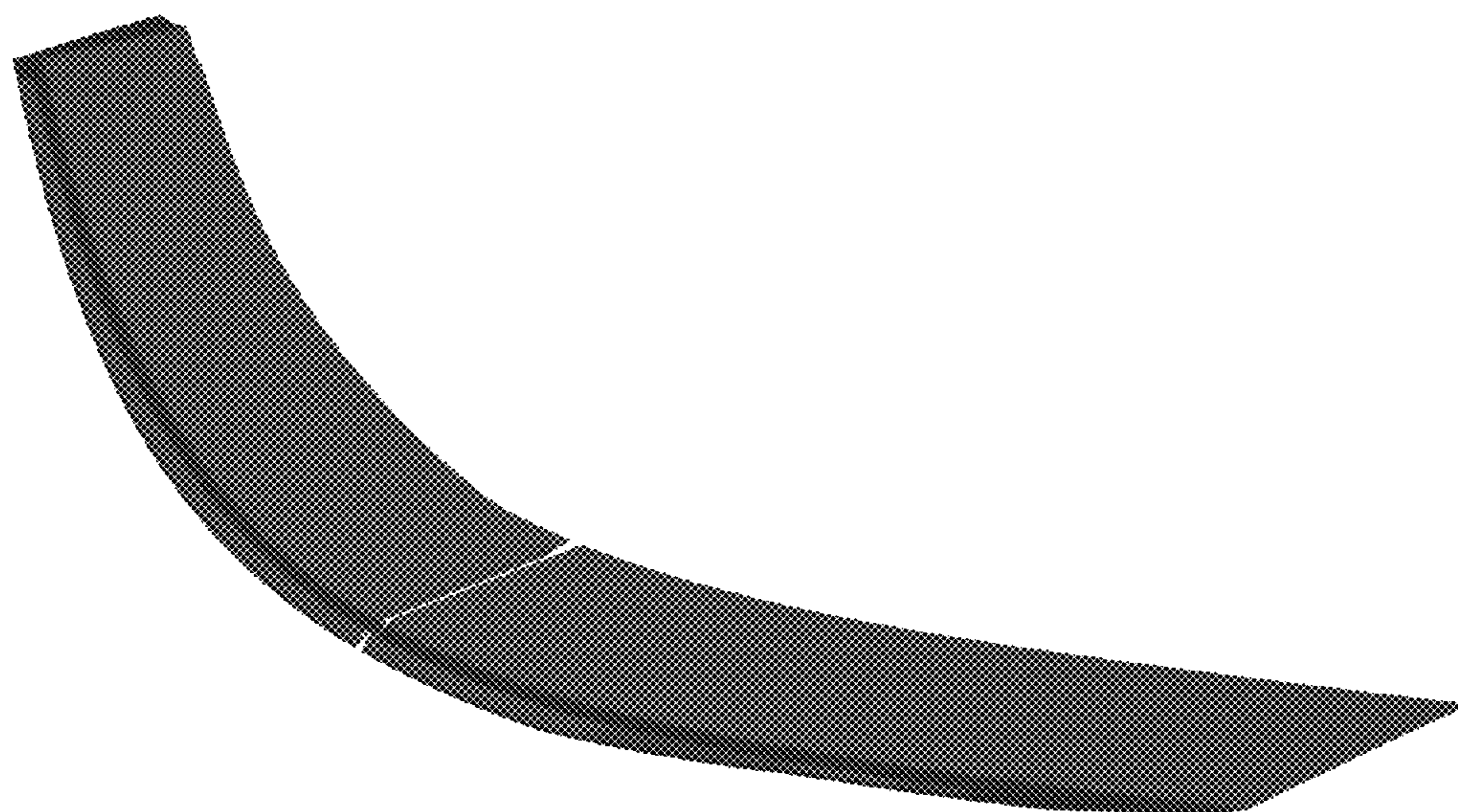


FIG. 7



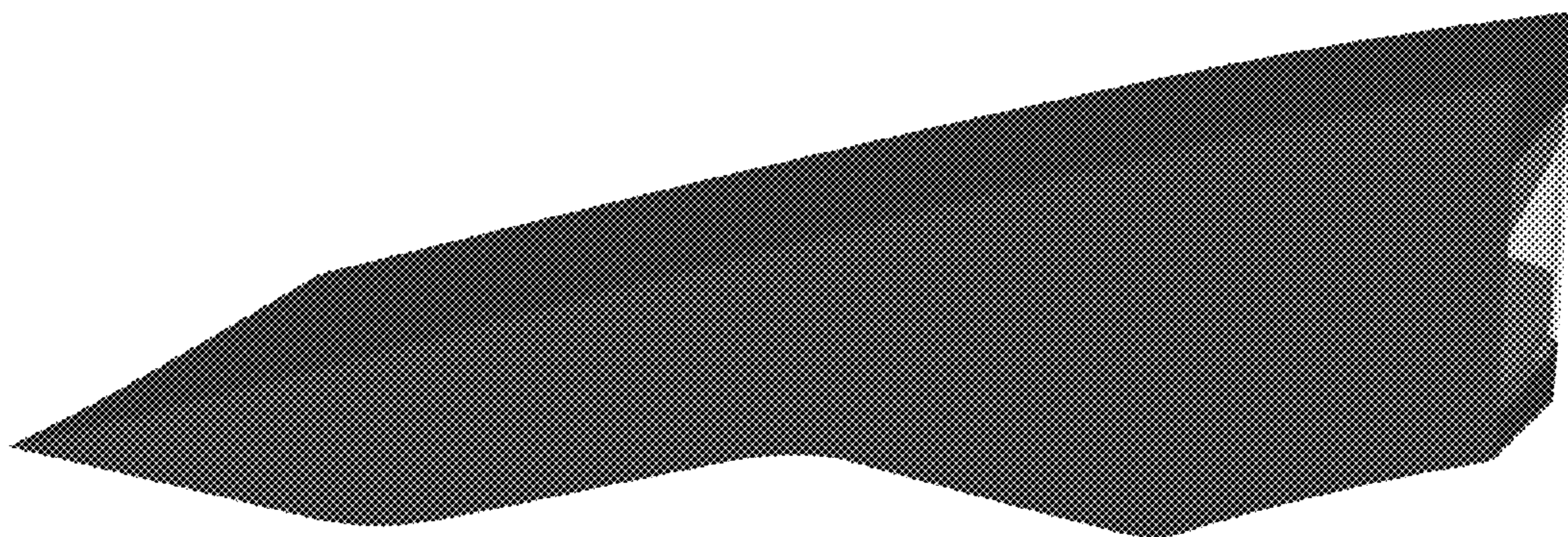


FIG. 8

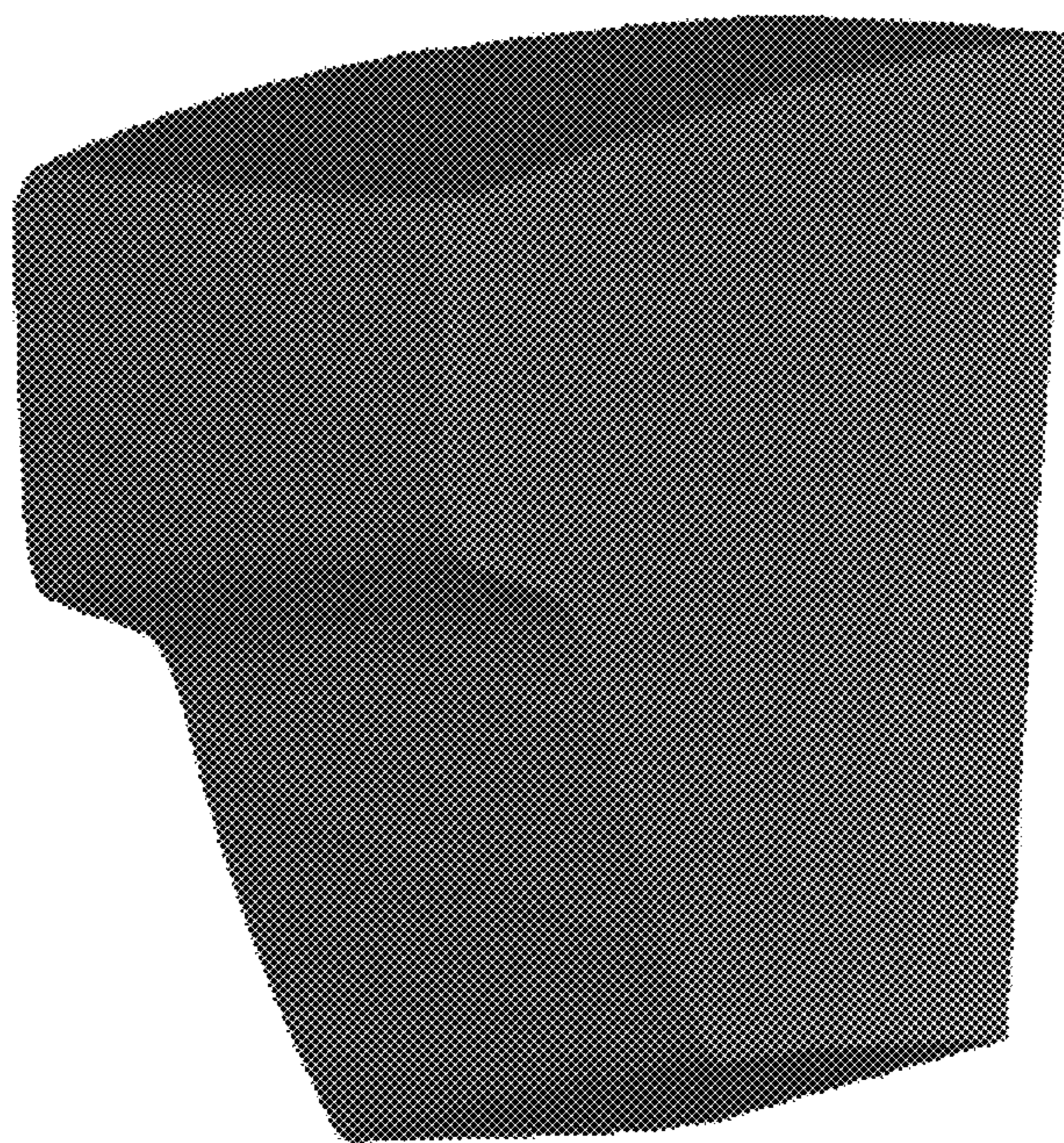


FIG. 9



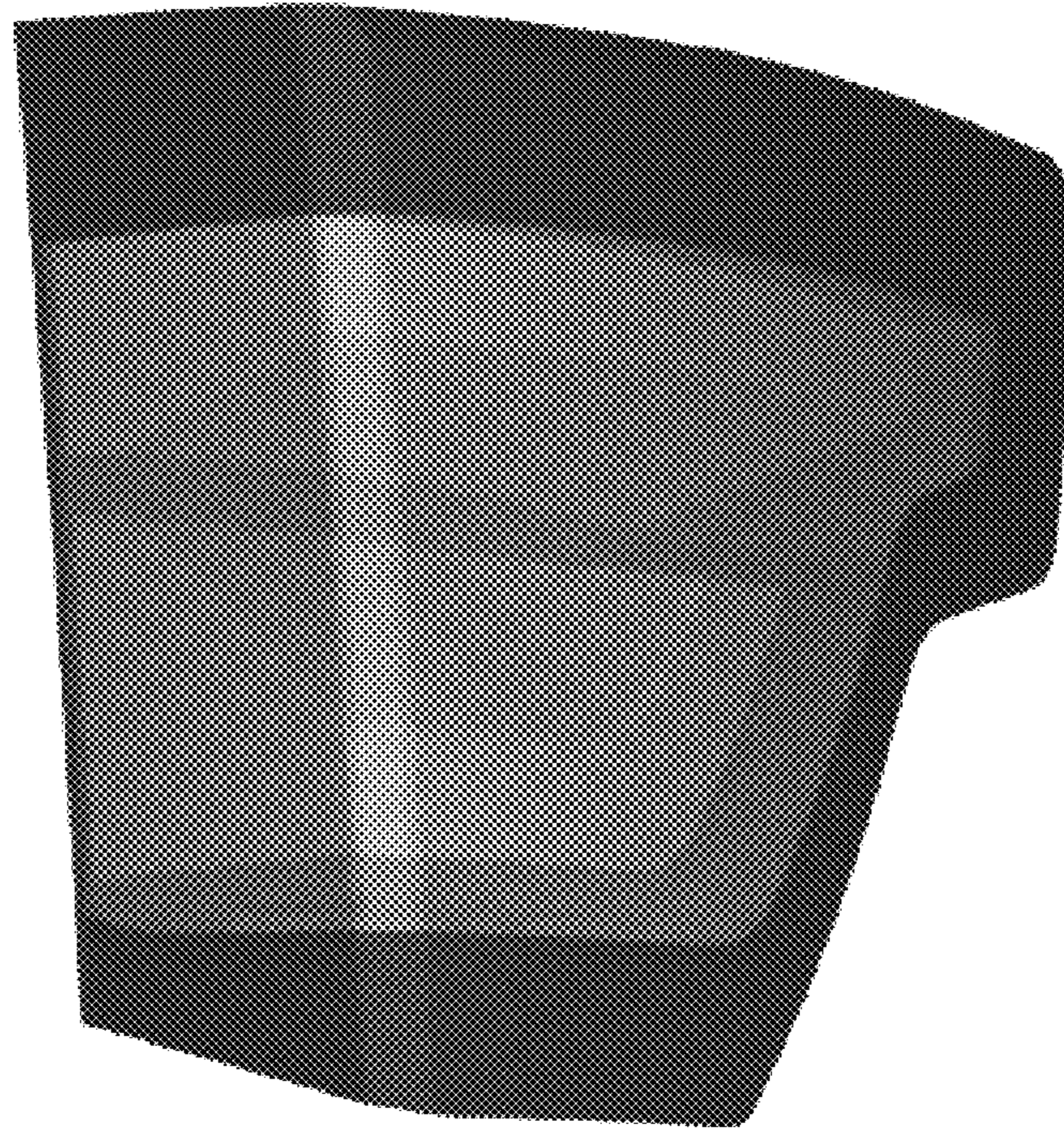


FIG. 10

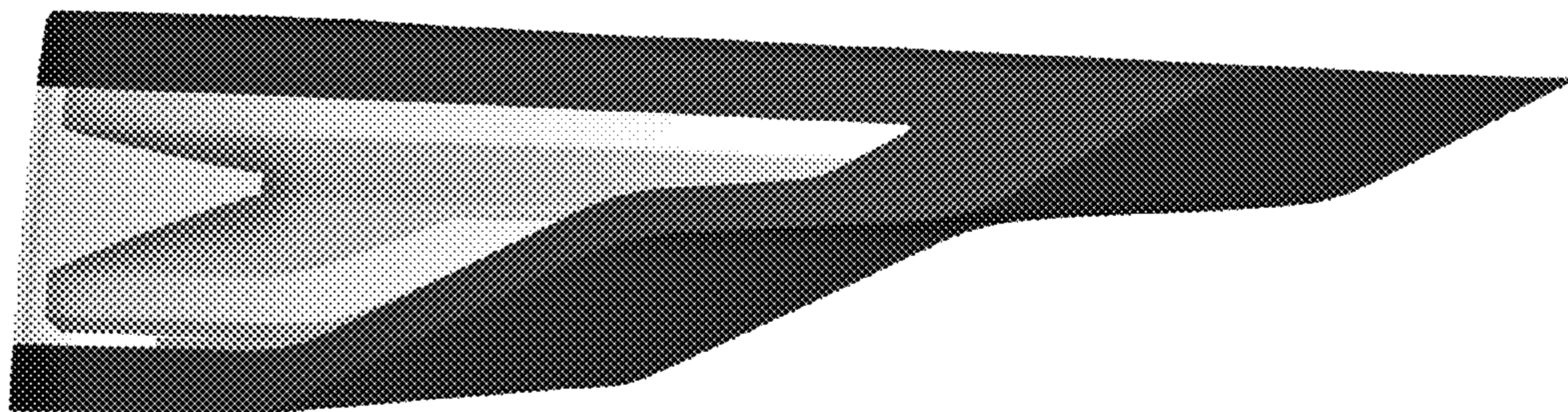


FIG. 11



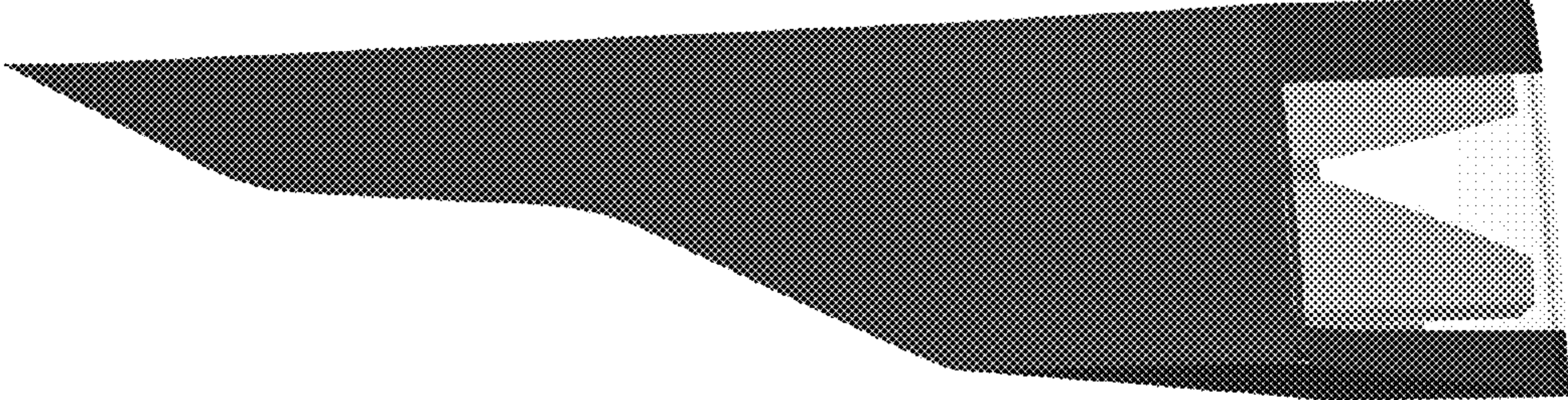


FIG. 12

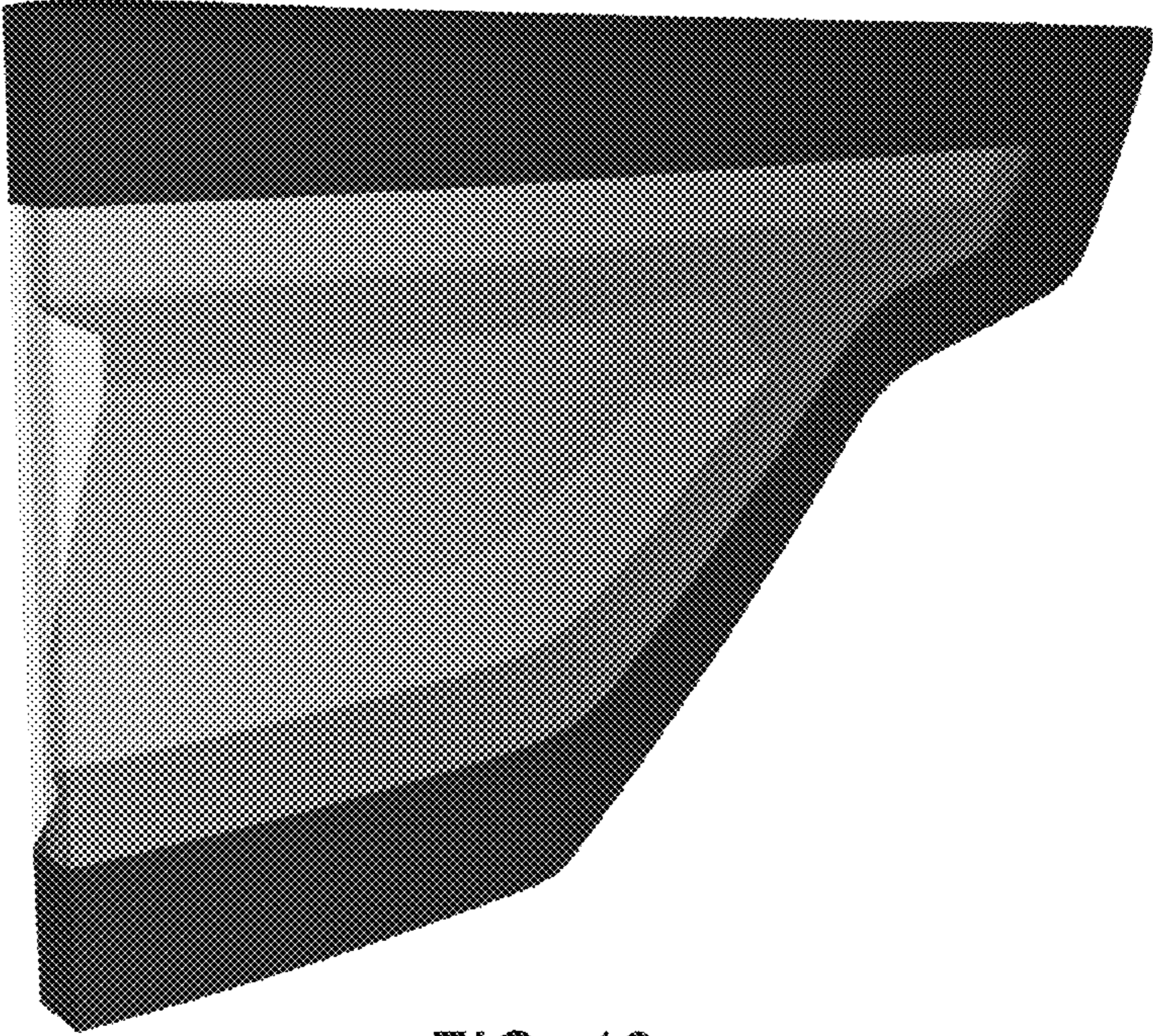


FIG. 13



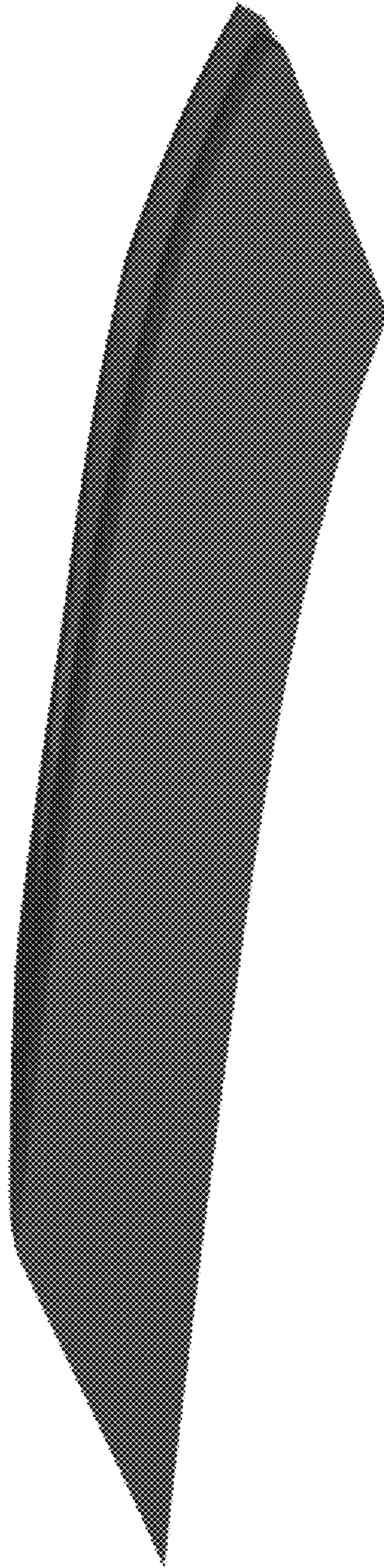


FIG. 14



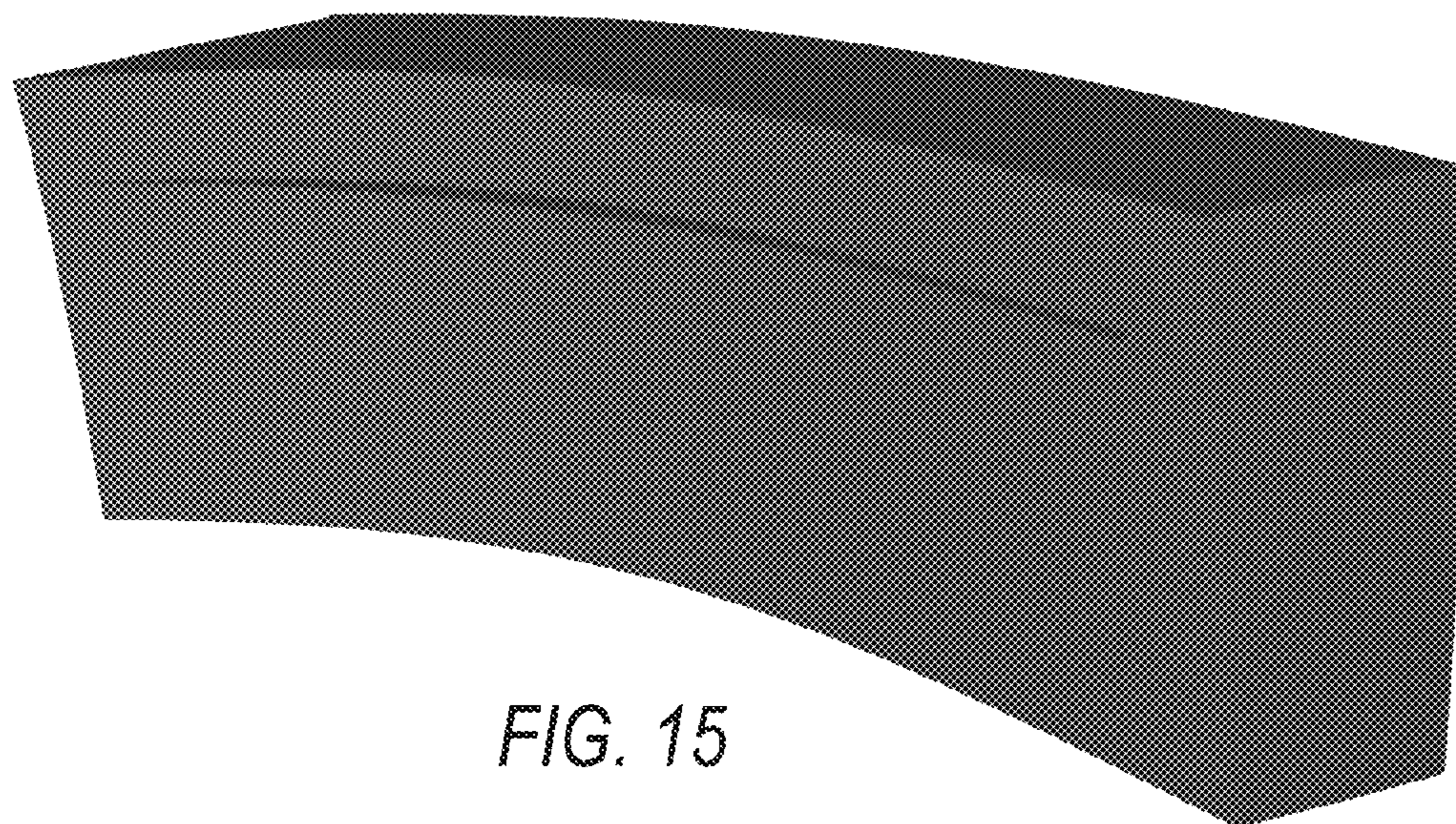


FIG. 15

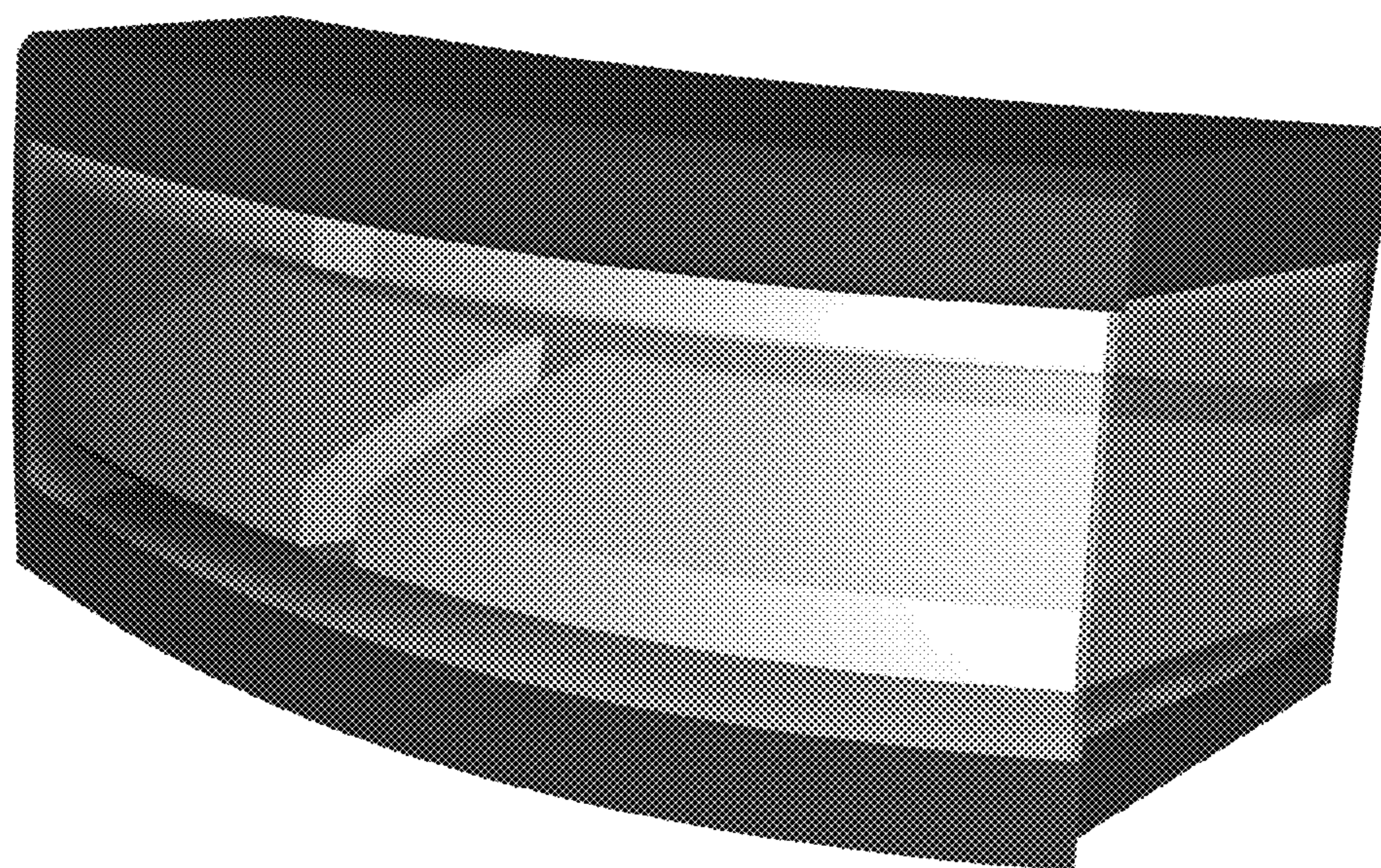


FIG. 16



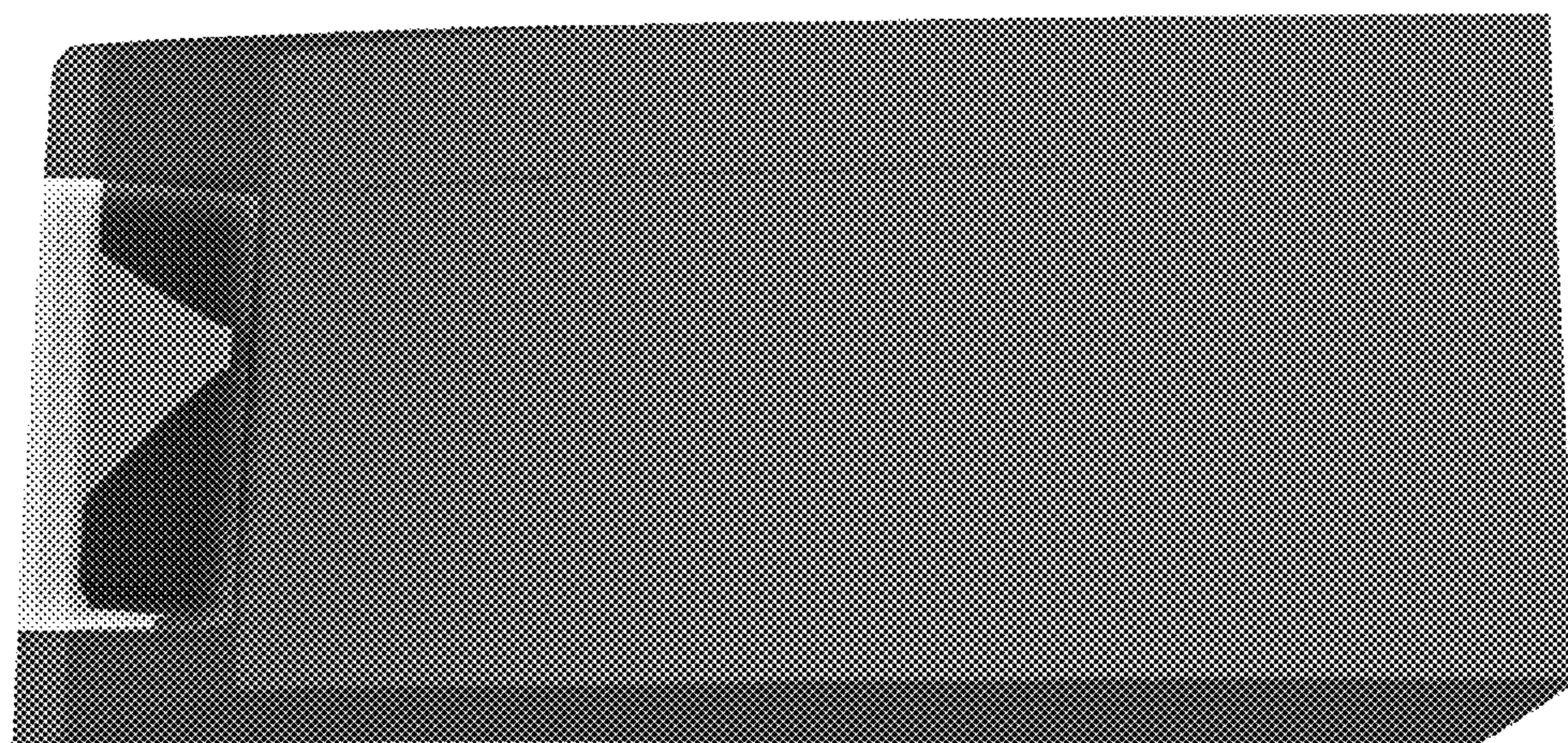


FIG. 17

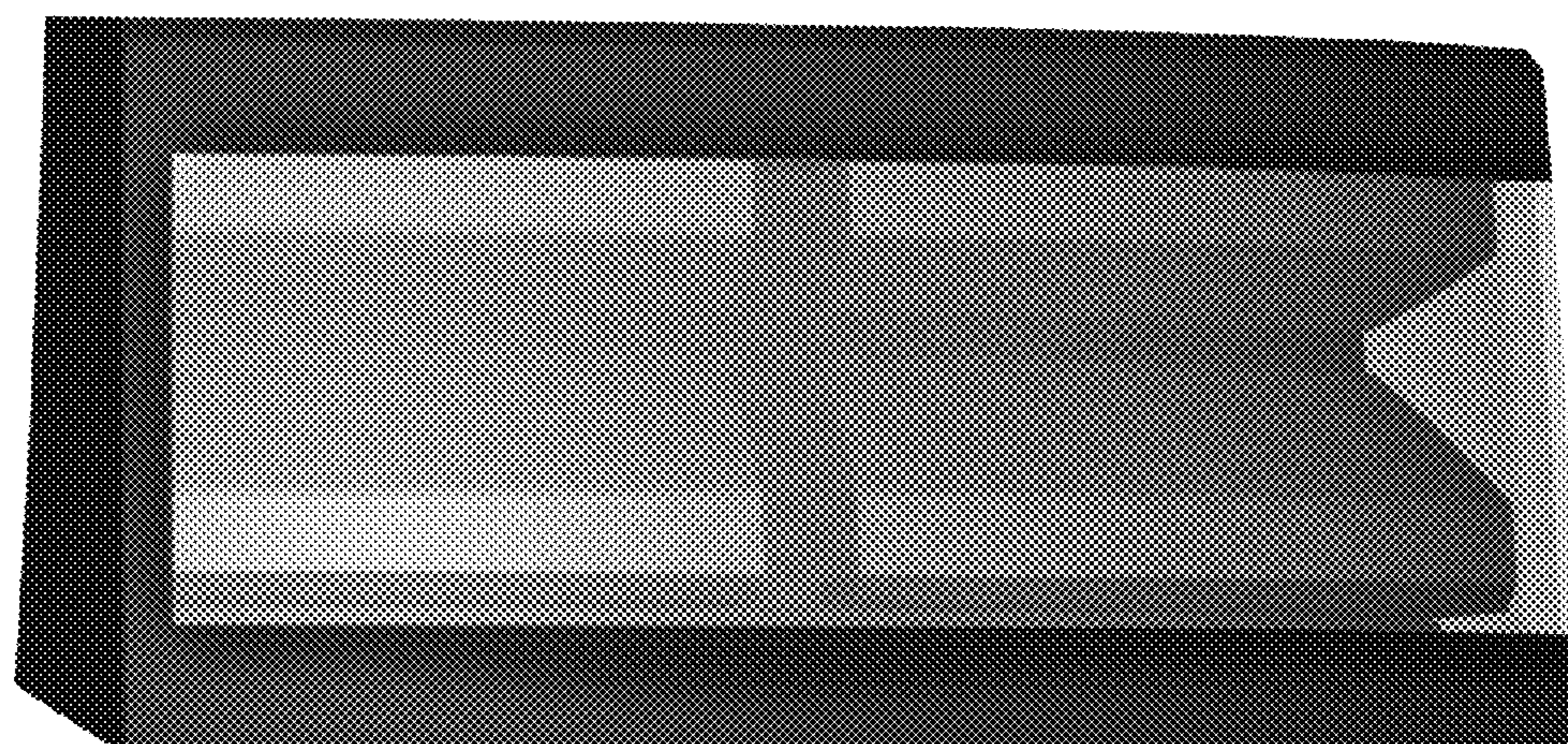


FIG. 18



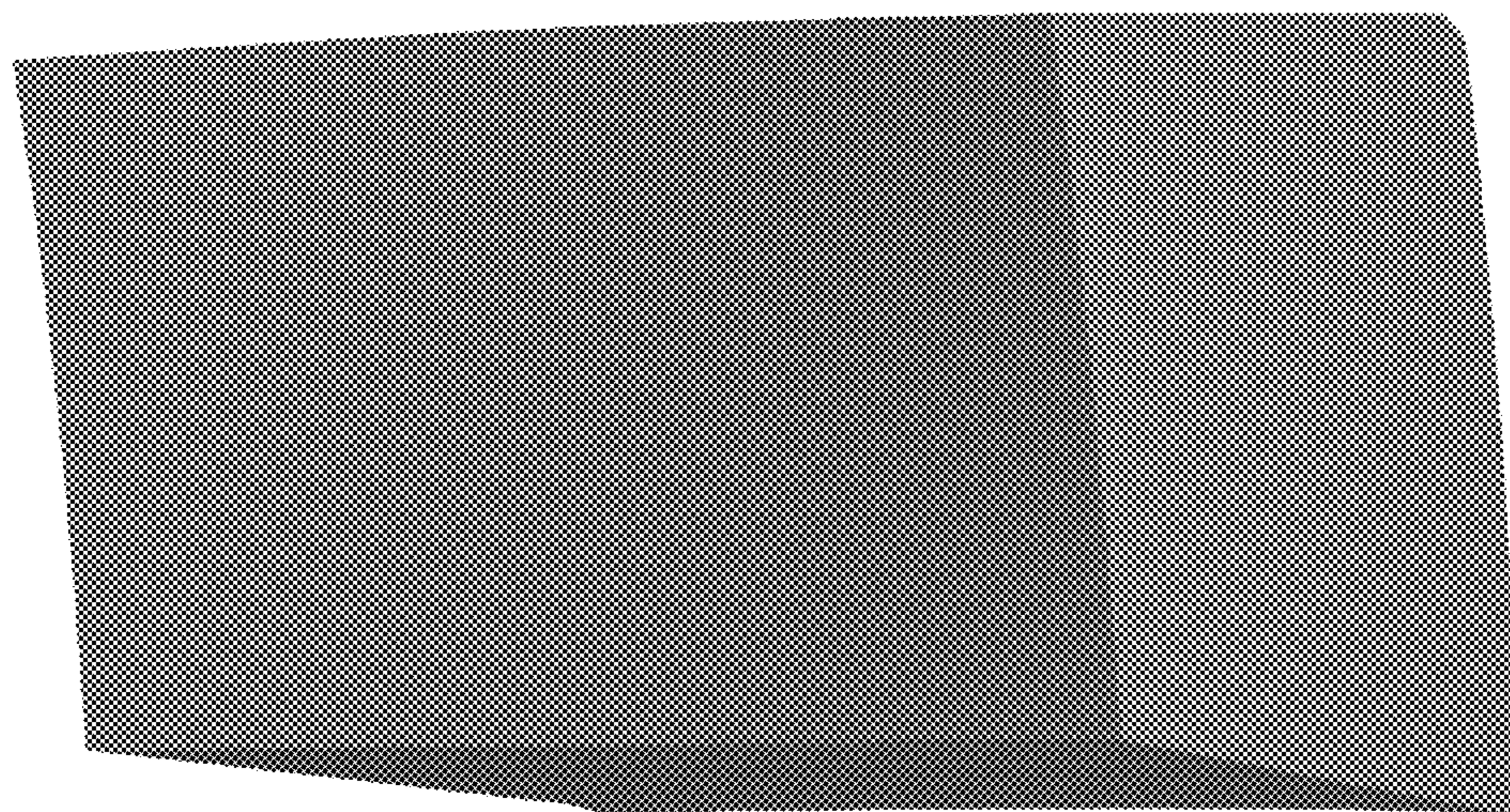


FIG. 19

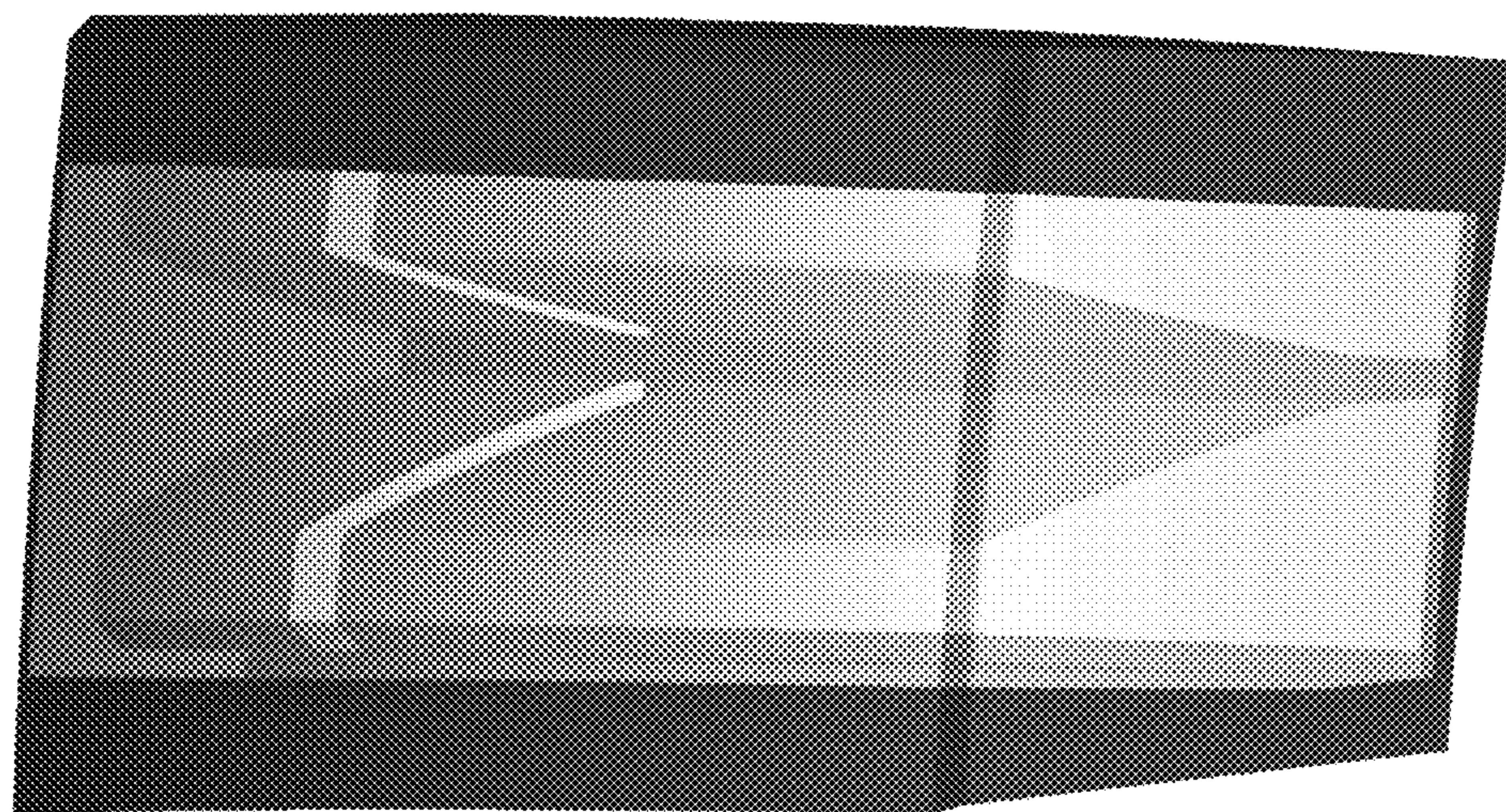


FIG. 20



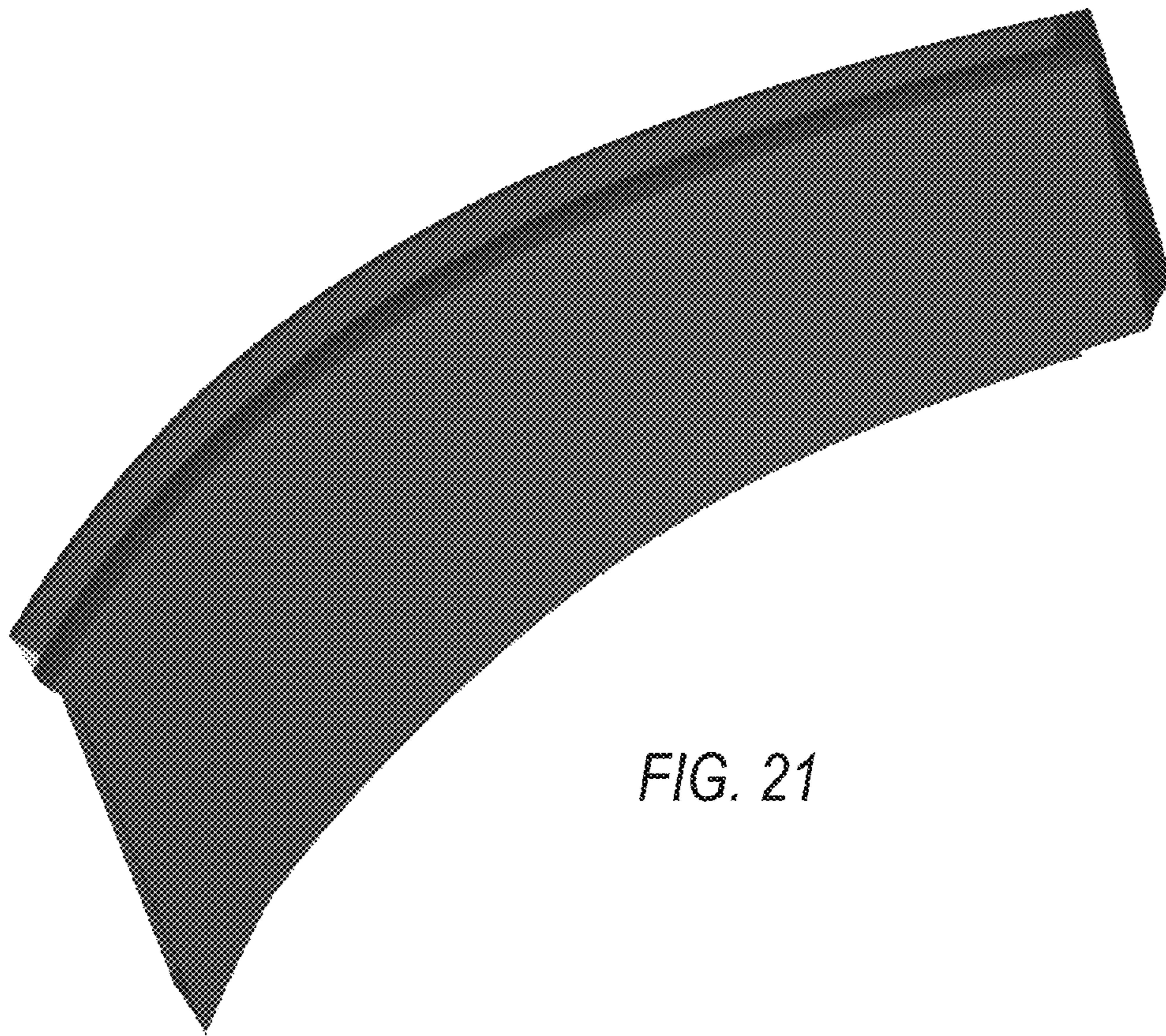


FIG. 21



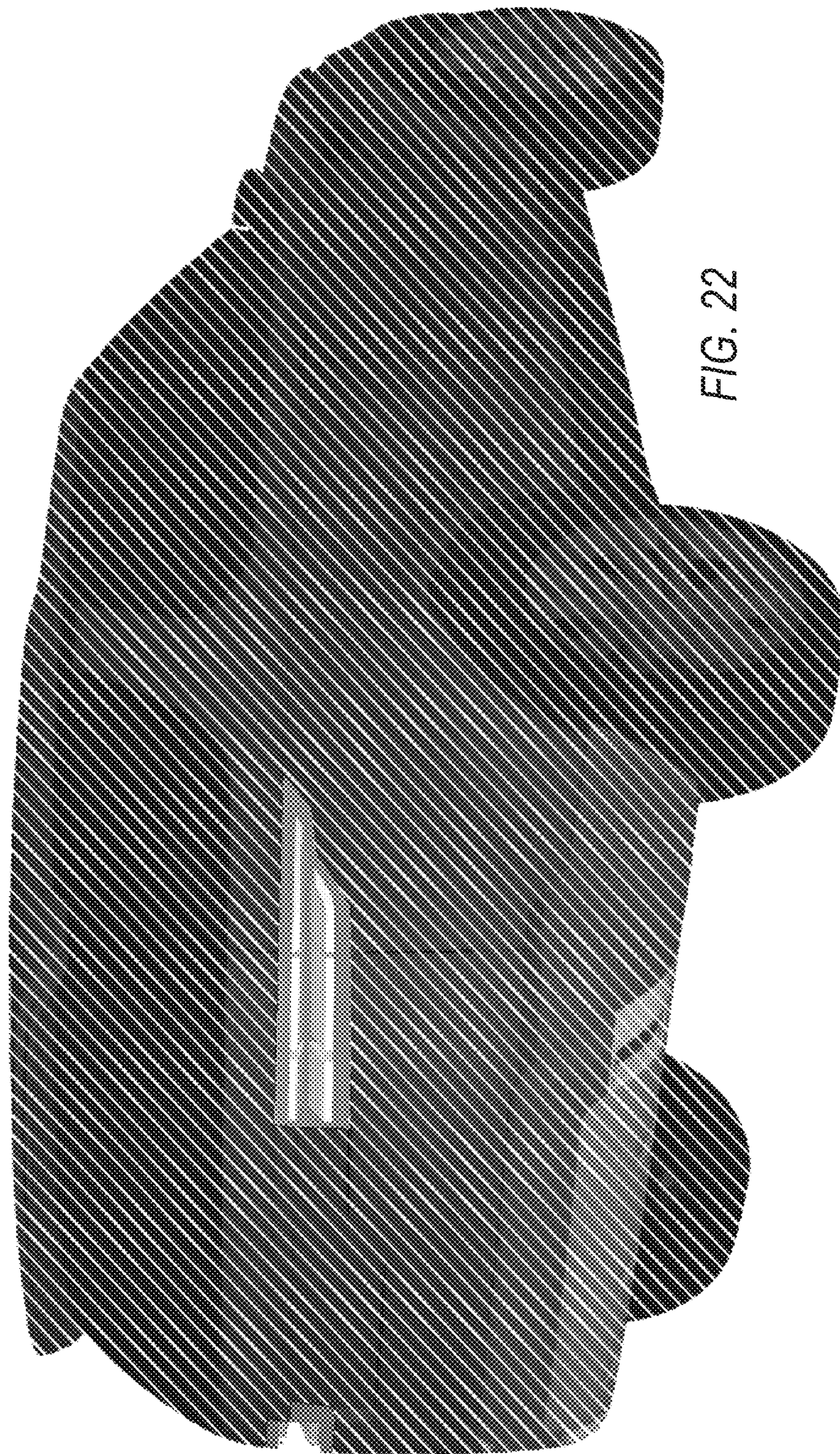


FIG. 22