



US00D750299S

(12) **United States Design Patent**
Morikawa

(10) **Patent No.:** **US D750,299 S**

(45) **Date of Patent:** **** Feb. 23, 2016**

(54) **FRONT COMBINATION LAMP FOR AN
AUTOMOBILE**

(71) Applicant: **Honda Motor Co., Ltd.**, Tokyo (JP)

(72) Inventor: **Tetsuji Morikawa**, Wako (JP)

(73) Assignee: **Honda Motor Co., Ltd.**, Tokyo (JP)

(**) Term: **14 Years**

(21) Appl. No.: **29/497,306**

(22) Filed: **Jul. 23, 2014**

(30) **Foreign Application Priority Data**

Jan. 23, 2014 (JP) 2014-001191

(51) **LOC (10) Cl.** **26-06**

(52) **U.S. Cl.**
USPC **D26/28**

(58) **Field of Classification Search**
USPC D26/28-36; 362/459-468, 475-478,
362/485, 486, 487
CPC B60Q 1/02; B60Q 1/04
See application file for complete search history.

(56) **References Cited**

U.S. PATENT DOCUMENTS

D632,813 S *	2/2011	Kim	D26/28
D656,643 S *	3/2012	Sato	D26/28
D657,082 S *	4/2012	Sato	D26/28
D685,937 S *	7/2013	Suzuki	D26/28
D726,941 S *	4/2015	Kato	D26/28
D739,057 S *	9/2015	Park	D26/28

* cited by examiner

Primary Examiner — Ian Simmons

Assistant Examiner — Harold Blackwell, II

(74) *Attorney, Agent, or Firm* — Plumsea Law Group, LLC

(57) **CLAIM**

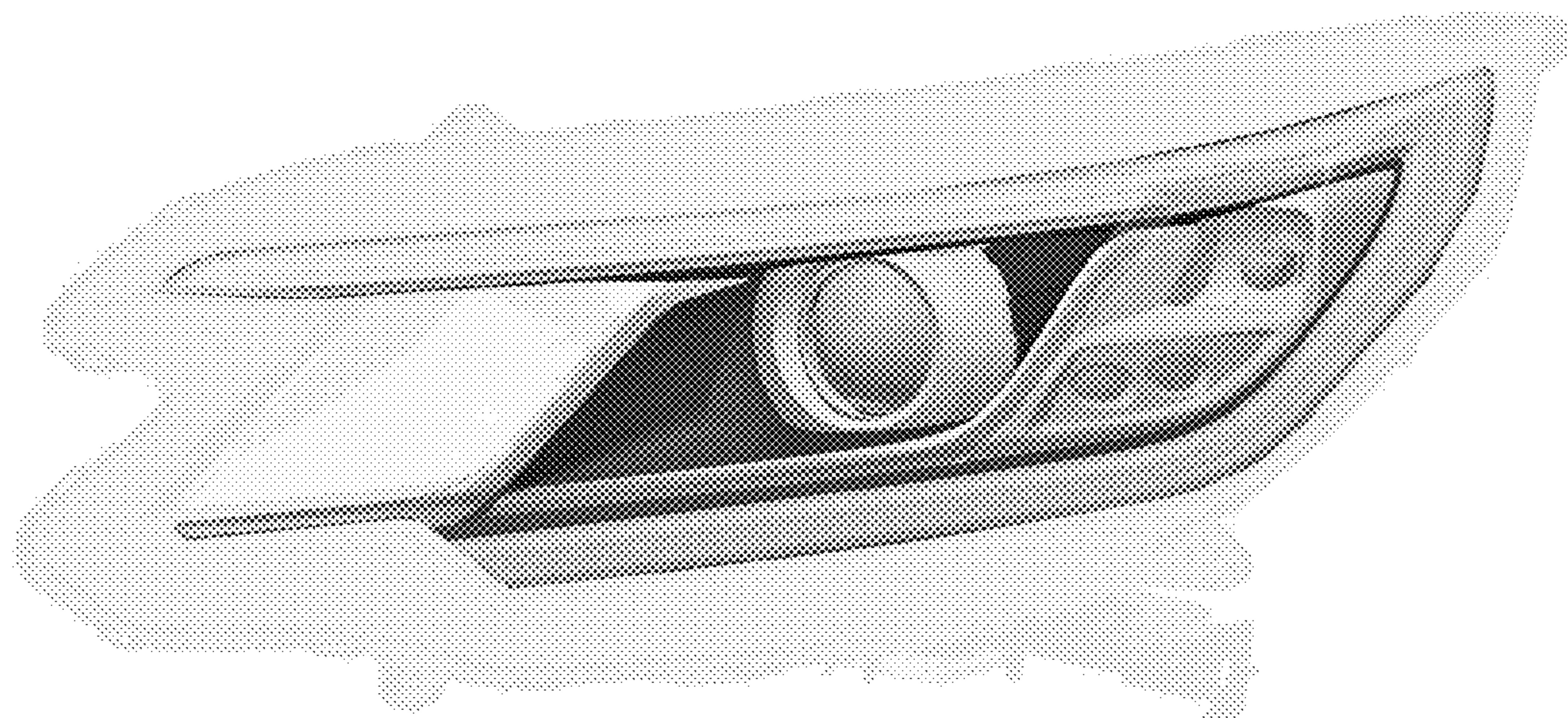
The ornamental design for a front combination lamp for an automobile, as shown and described.

DESCRIPTION

FIG. 1 is a perspective view of a front combination lamp for an automobile showing my new design; FIG. 2 is a front elevation view thereof; FIG. 3 is a top plan view thereof; and, FIG. 4 is a right side elevation view thereof.

The de-emphasized and halftone portions shown in the drawings illustrate environmental structure for a front combination lamp of an automobile that form no part of the claimed design.

1 Claim, 4 Drawing Sheets



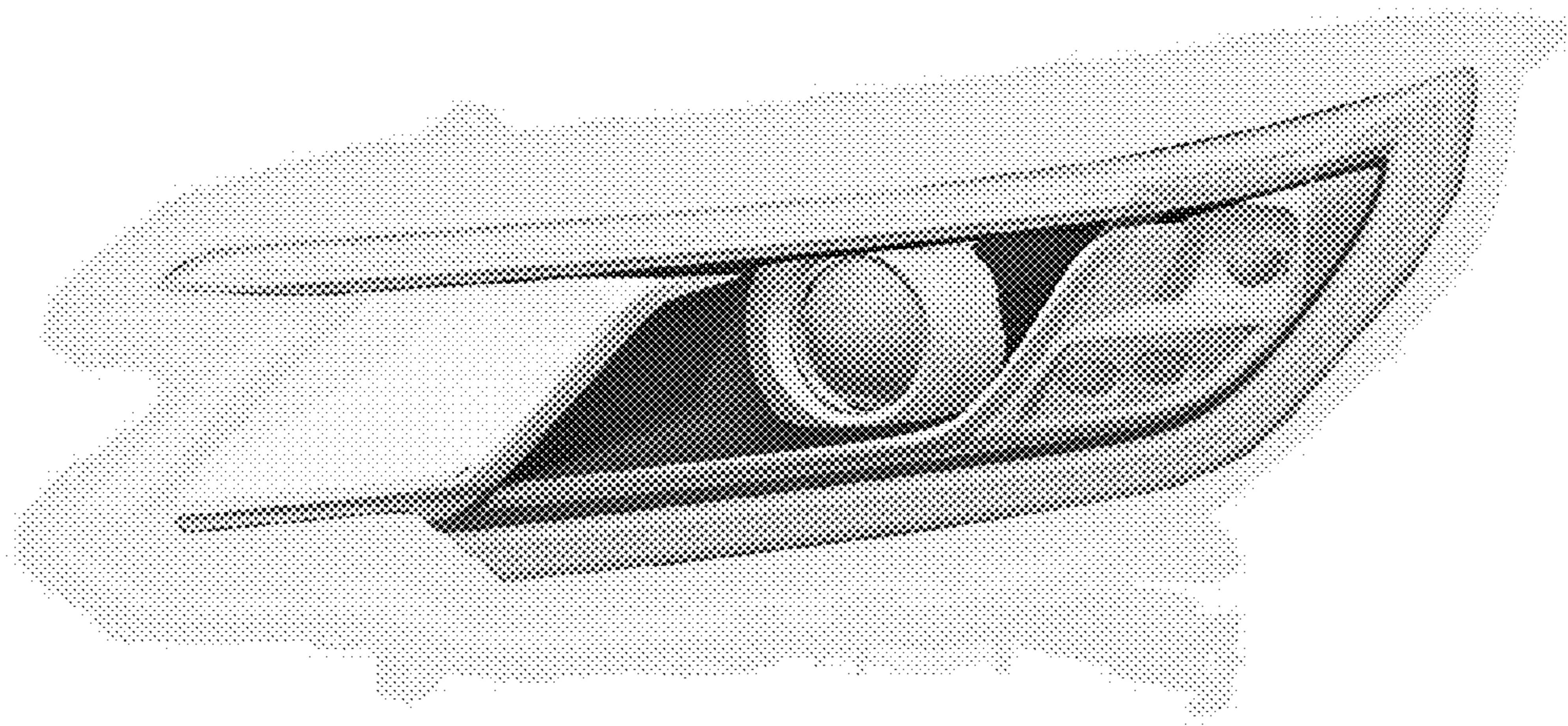


FIG. 1

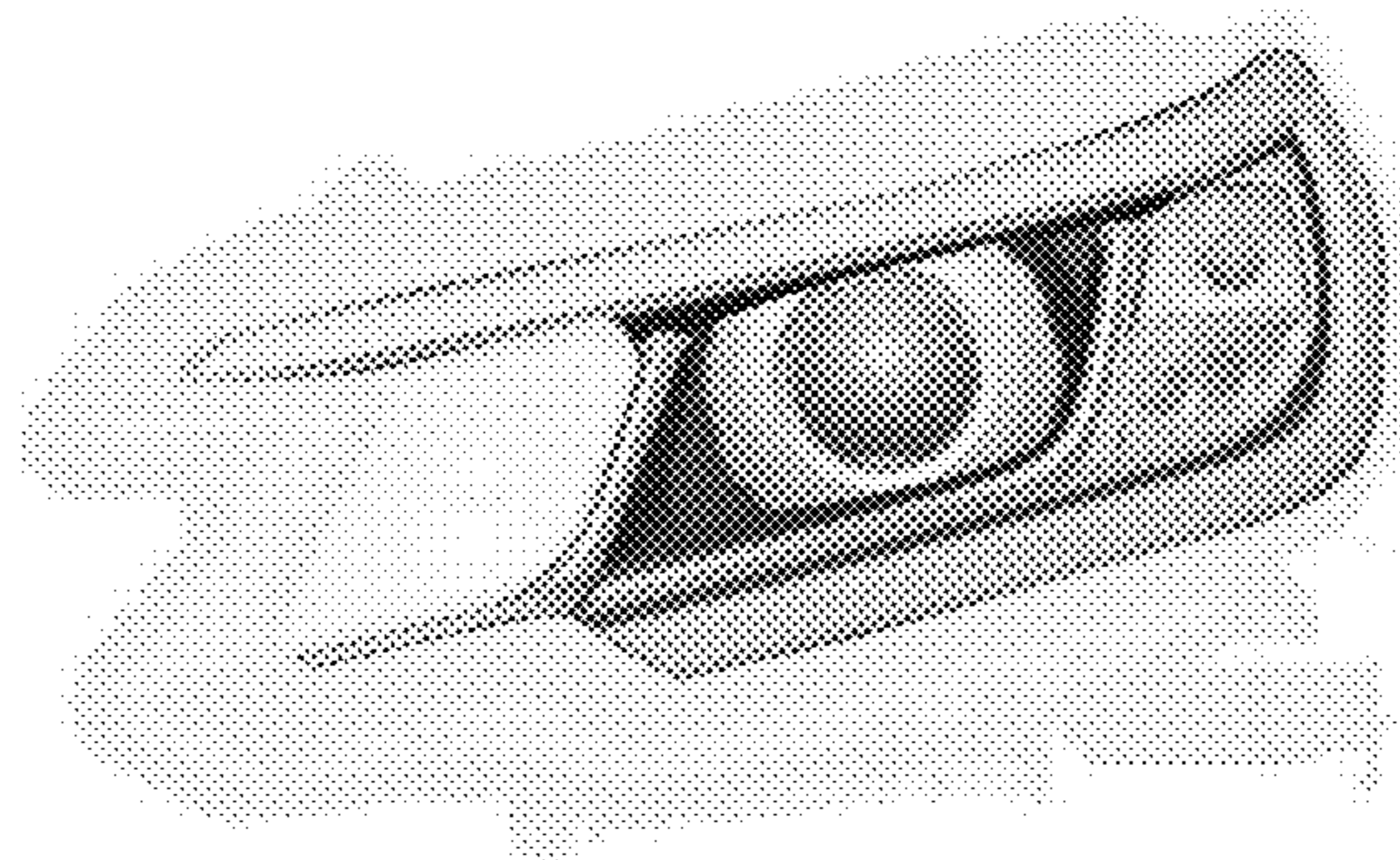


FIG. 2

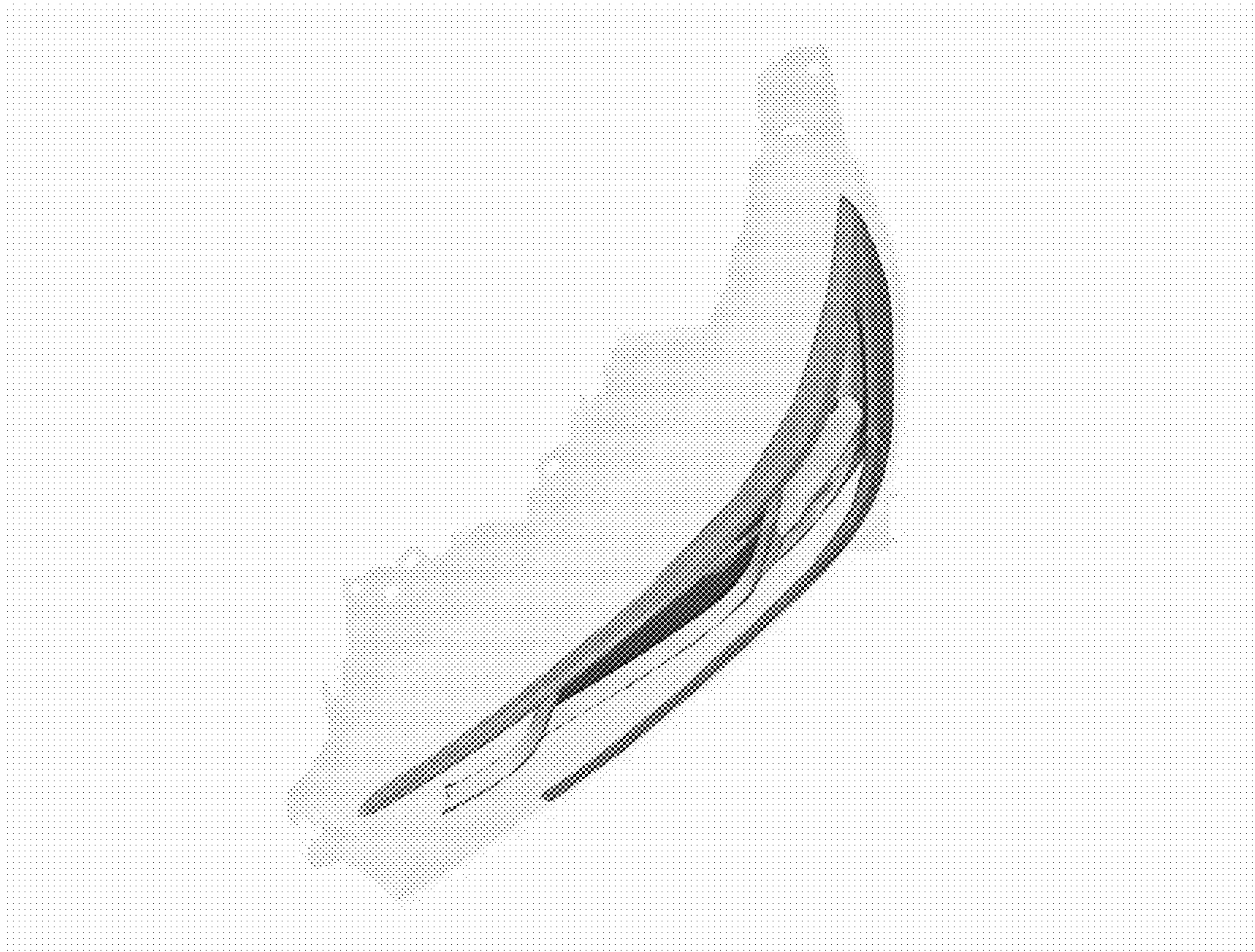


FIG. 3

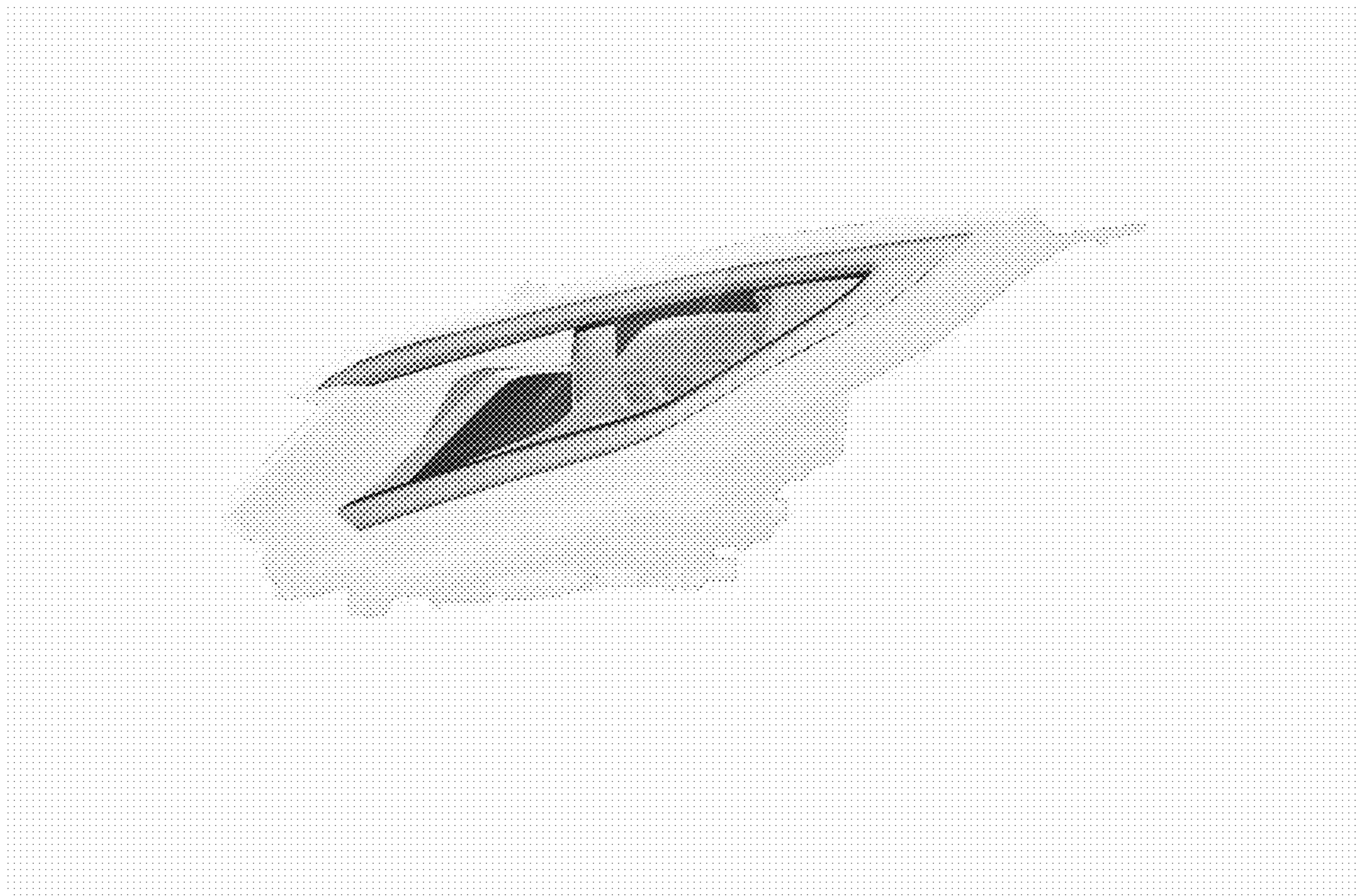


FIG. 4