



US00D750298S

(12) **United States Design Patent**
Gotschke et al.

(10) **Patent No.:** **US D750,298 S**

(45) **Date of Patent:** **** *Feb. 23, 2016**

(54) **VEHICLE TAIL LAMP**

(71) Applicant: **Ford Motor Company**, Dearborn, MI
(US)

(72) Inventors: **Wolfgang Gotschke**, Cologne (DE);
Uwe Pulver, Cologne (DE)

(73) Assignee: **Ford Motor Company**, Dearborn, MI
(US)

(*) Notice: This patent is subject to a terminal disclaimer.

(**) Term: **14 Years**

(21) Appl. No.: **29/482,070**

(22) Filed: **Feb. 13, 2014**

(51) **LOC (10) Cl.** **26-06**

(52) **U.S. Cl.**
USPC **D26/28**

(58) **Field of Classification Search**
USPC D26/28-36; 362/459-476, 485-487,
362/543-549
CPC F21S 48/2281; F21S 48/00; F21S 48/225;
F21S 48/2268; F21S 48/1233; F21S 48/1266;
F21S 48/1388; F21V 21/04

See application file for complete search history.

(56) **References Cited**

U.S. PATENT DOCUMENTS

D581,072	S	*	11/2008	Hatake	D26/28
D614,330	S	*	4/2010	Lamm et al.	D26/28
D660,483	S	*	5/2012	Gotschke et al.	D26/28
D664,688	S	*	7/2012	Kim et al.	D26/28
D671,248	S	*	11/2012	Fuchigami et al.	D26/28
D685,936	S	*	7/2013	Suzuki	D26/28
D709,633	S	*	7/2014	Kabata	D26/28
D715,471	S	*	10/2014	Nagasaka et al.	D26/28
D719,691	S	*	12/2014	Nordmann	D26/28
D720,869	S	*	1/2015	Knoedle-Bunte et al.	D26/28

* cited by examiner

Primary Examiner — Cynthia Ramirez
Assistant Examiner — Llorellys Martinez-Rivera
(74) *Attorney, Agent, or Firm* — LeClairRyan

(57) **CLAIM**

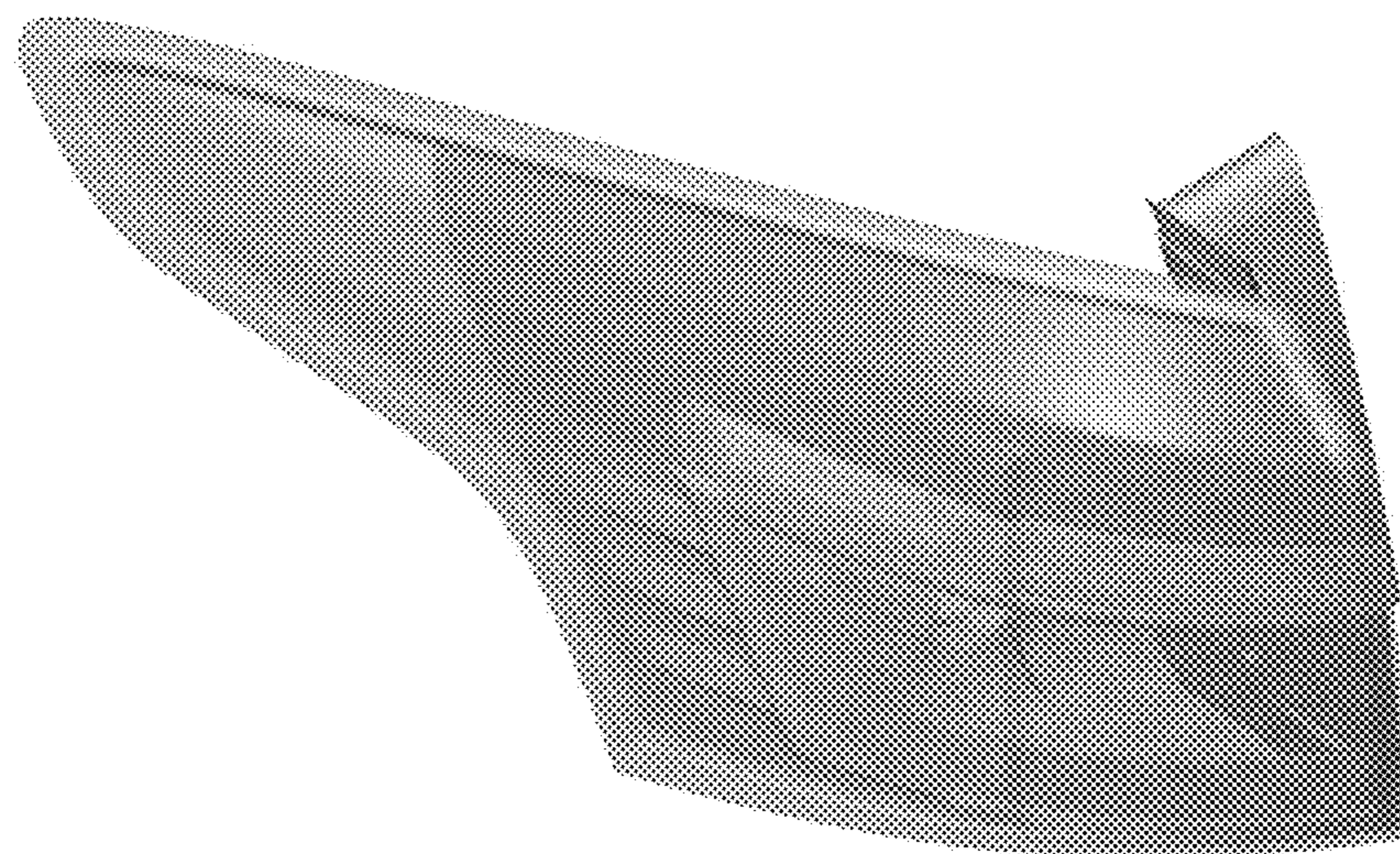
The ornamental design for a vehicle tail lamp, as shown and described.

DESCRIPTION

FIG. 1 is a perspective view of a left vehicle tail lamp showing our new design;
FIG. 2 is another perspective view thereof;
FIG. 3 is a front elevational view thereof;
FIG. 4 is a left side elevational view thereof;
FIG. 5 is a right side elevational view thereof;
FIG. 6 is a top plan view thereof; and,
FIG. 7 is a bottom plan view thereof.

The novel design also includes an embodiment of a right vehicle tail lamp which is mirror symmetrical to the embodiment of FIGS. 1-7 and therefore is not separately illustrated.

1 Claim, 7 Drawing Sheets



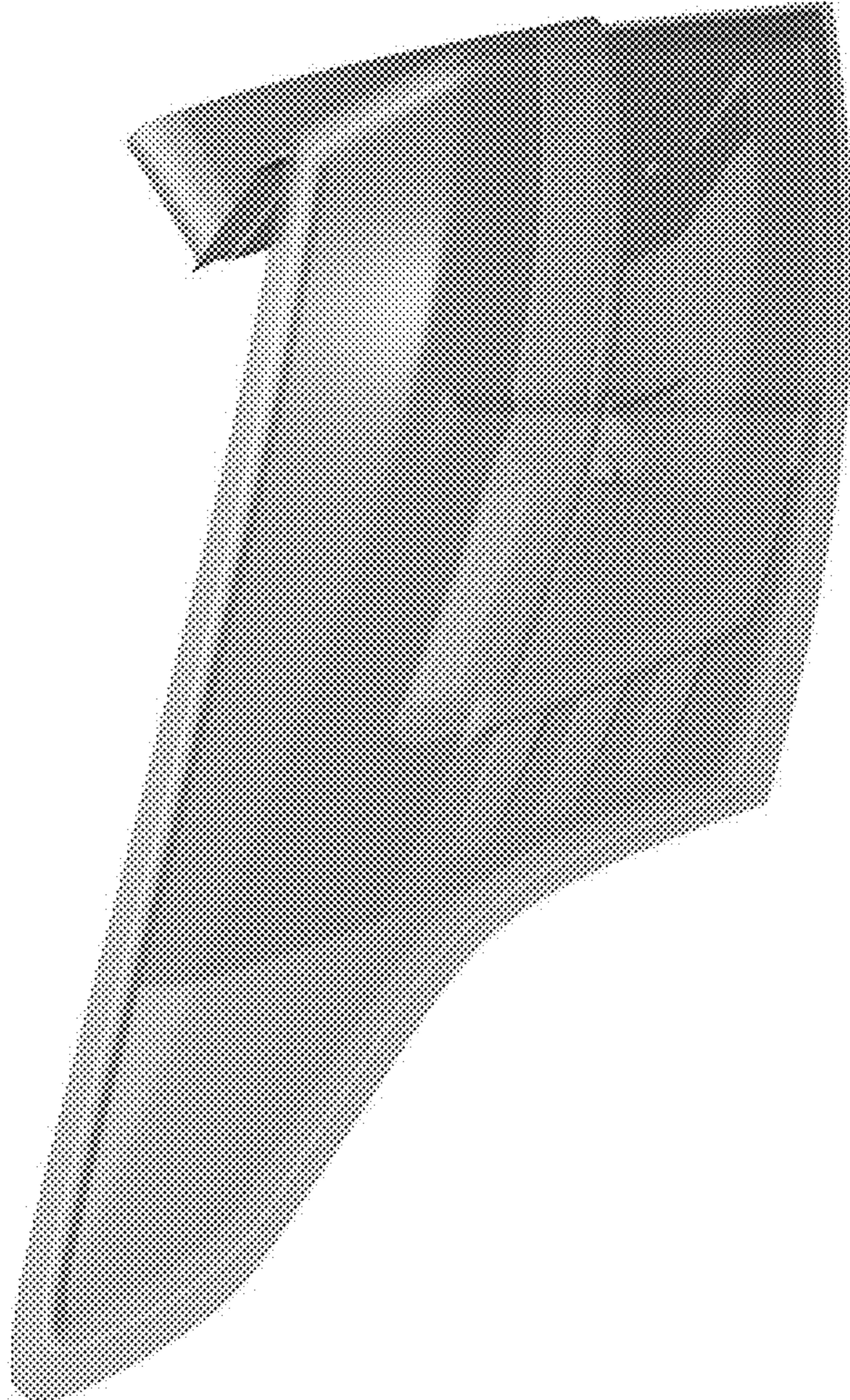


Figure 1

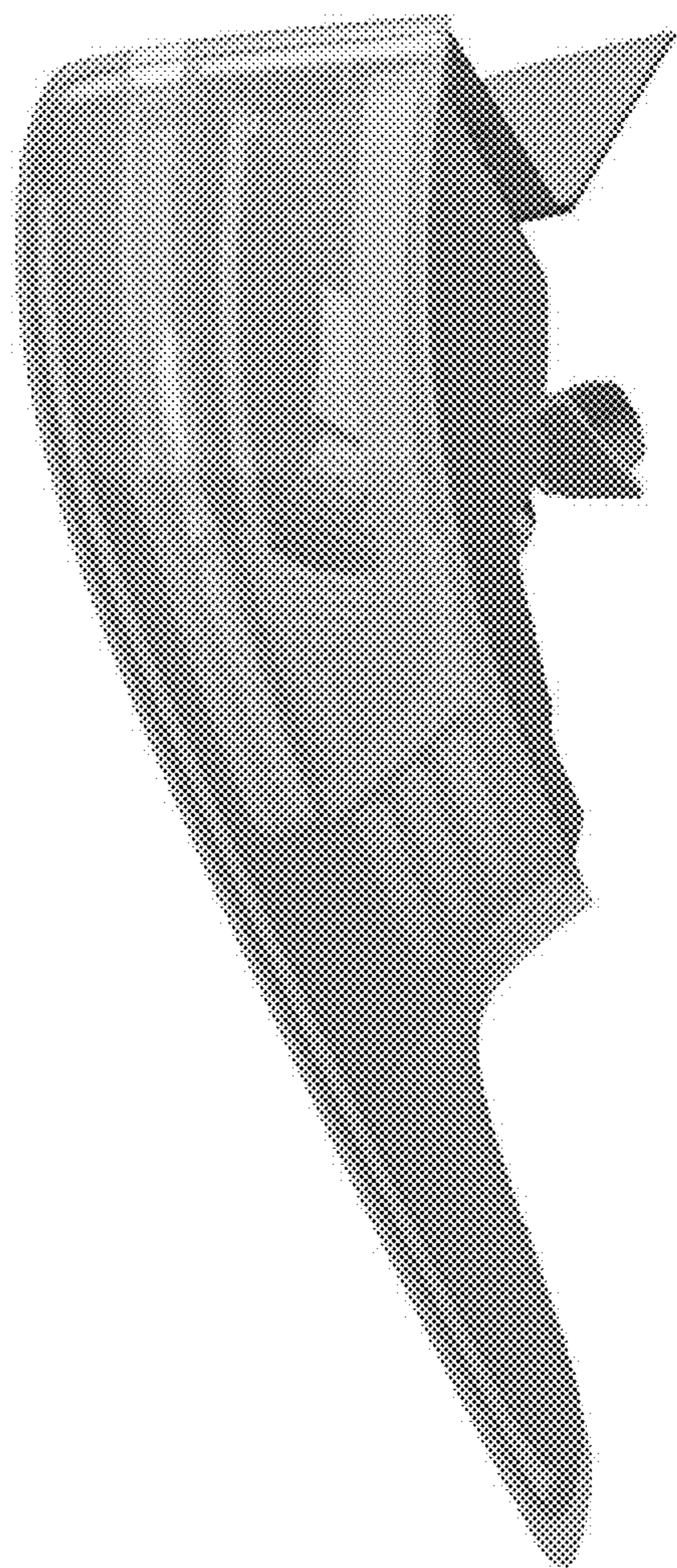


Figure 2

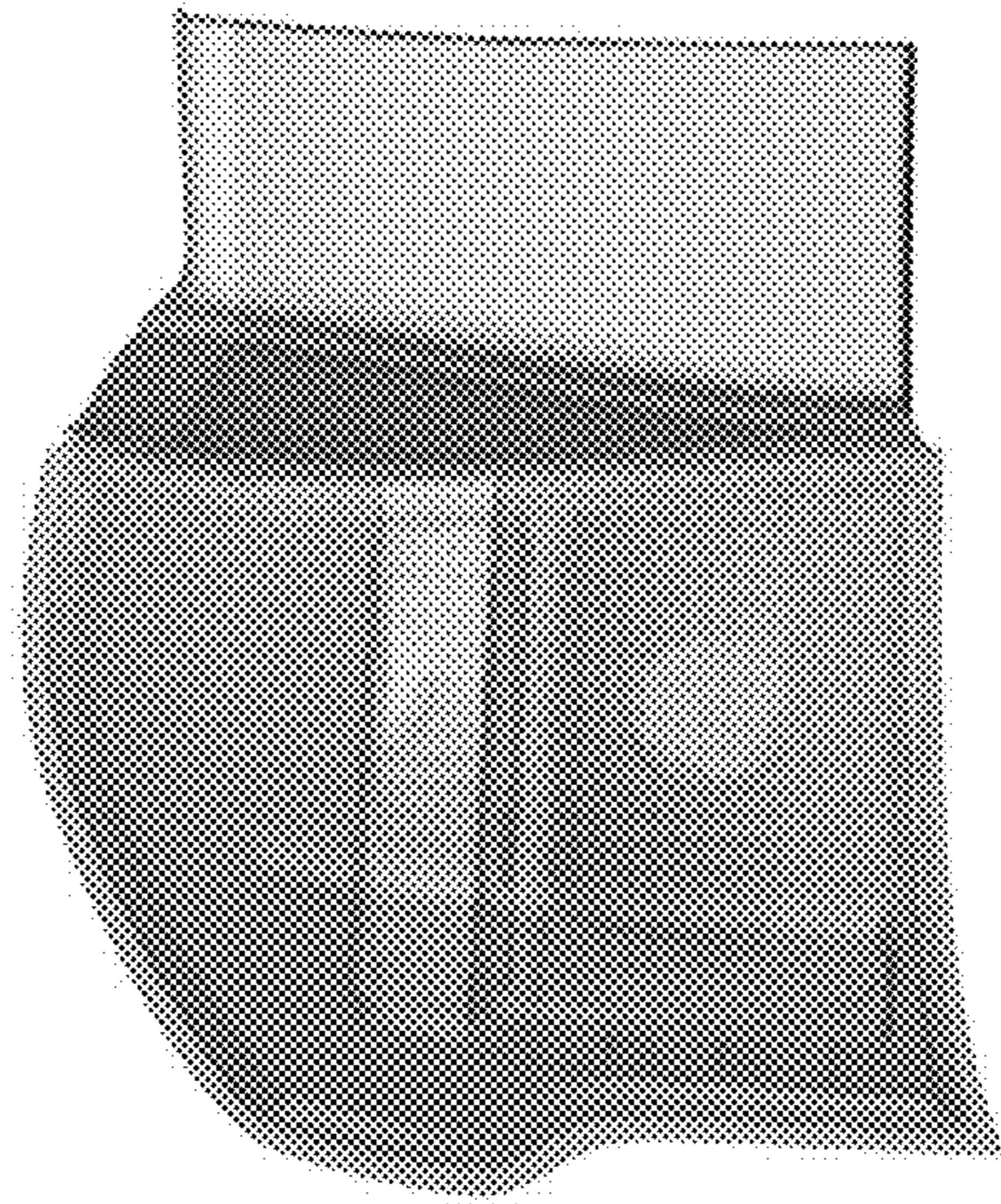


Figure 3

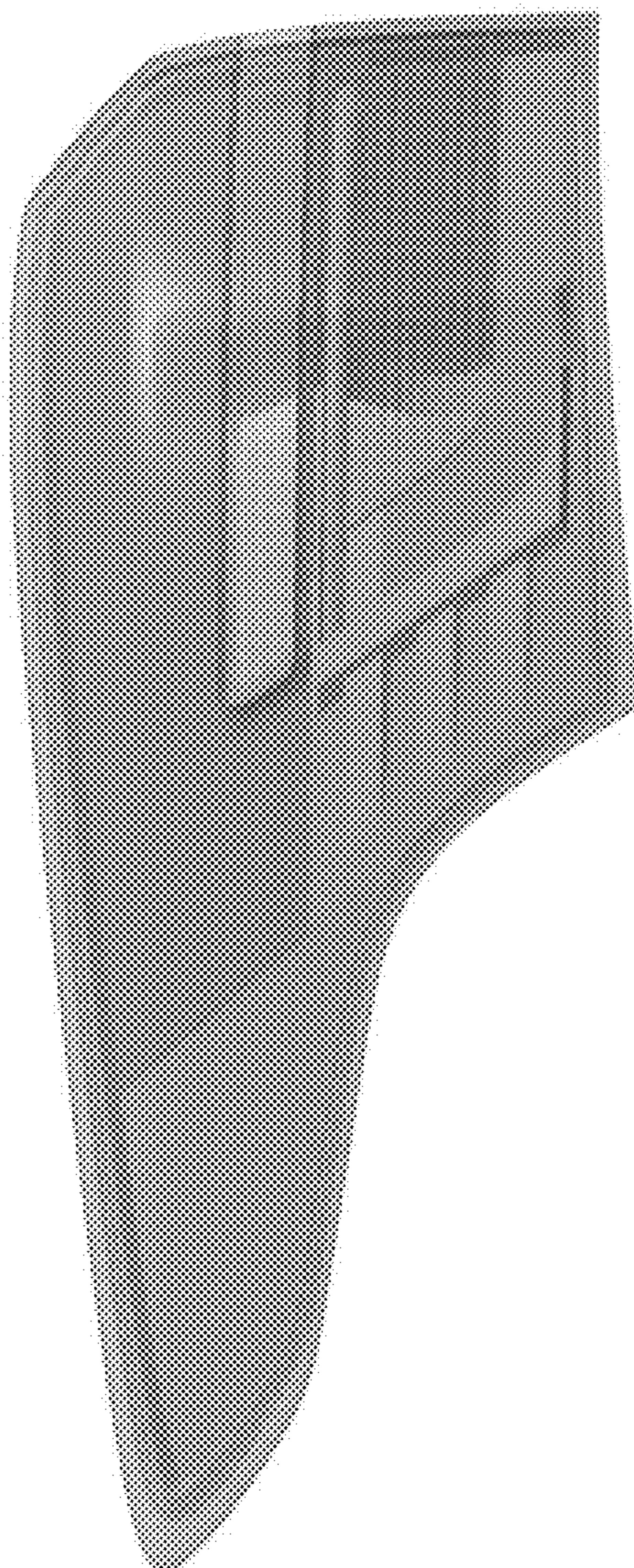


Figure 4

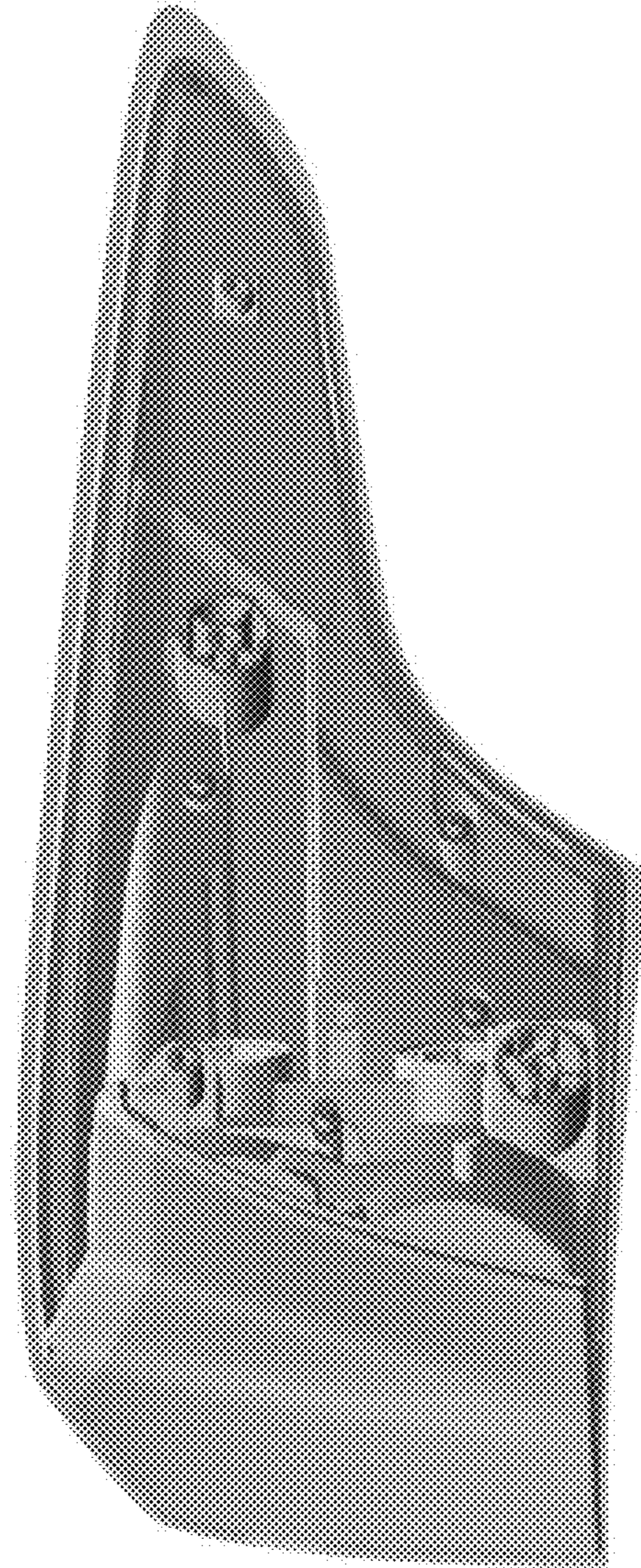


Figure 5

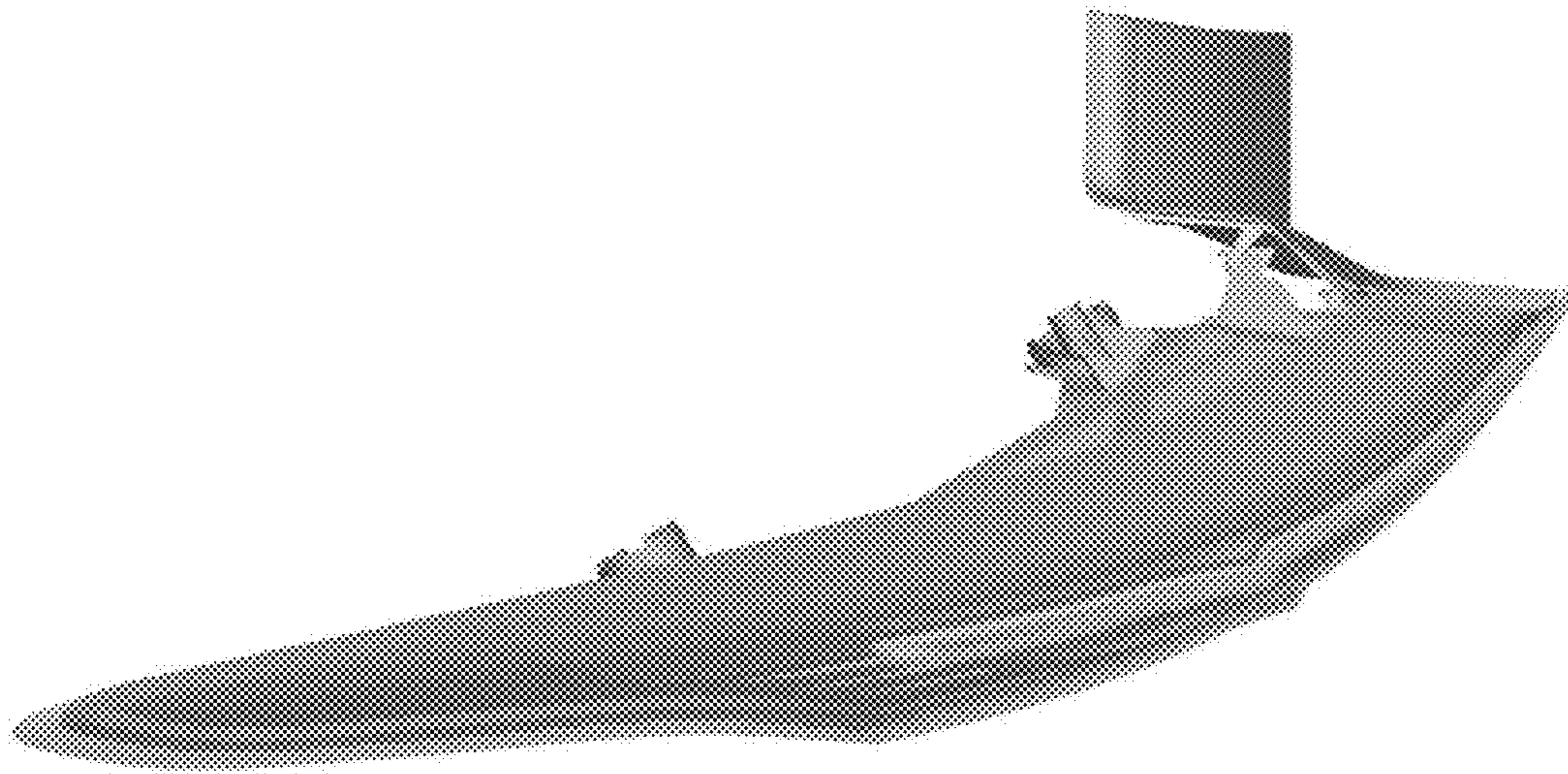


Figure 6

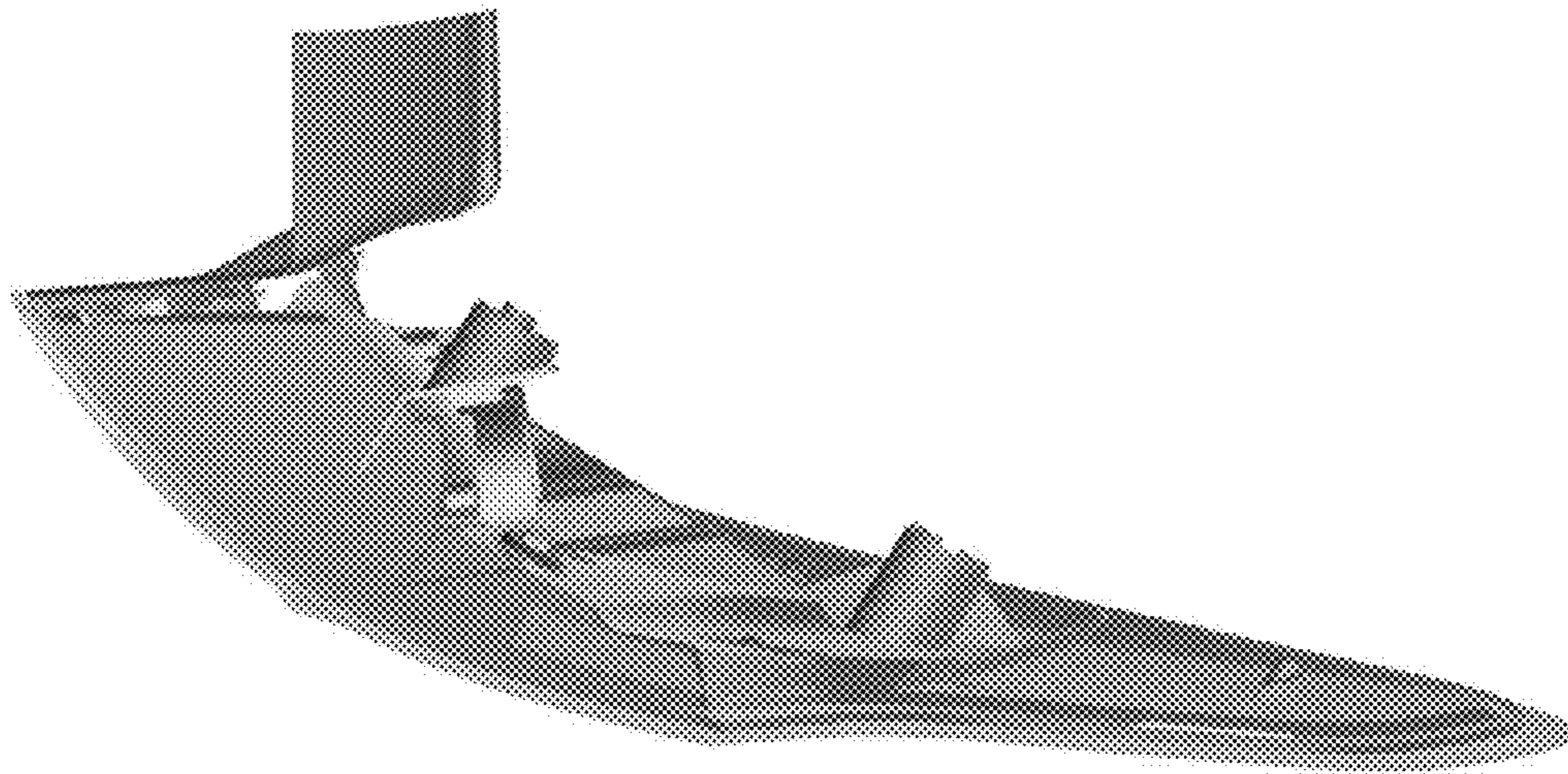


Figure 7