

US00D750297S

(12) **United States Design Patent**
Gotschke et al.

(10) **Patent No.:** **US D750,297 S**

(45) **Date of Patent:** **** Feb. 23, 2016**

(54) **VEHICLE TAIL LAMP**

(71) Applicant: **Ford Motor Company**, Dearborn, MI (US)

(72) Inventors: **Wolfgang Gotschke**, Cologne (DE);
Uwe Pulver, Cologne (DE)

(73) Assignee: **Ford Motor Company**, Dearborn, MI (US)

(**) Term: **14 Years**

(21) Appl. No.: **29/482,067**

(22) Filed: **Feb. 13, 2014**

(51) **LOC (10) Cl.** **26-06**

(52) **U.S. Cl.**
USPC **D26/28**

(58) **Field of Classification Search**
USPC D26/28-36; 362/459-476, 485-487,
362/543-549

CPC F21S 48/2281; F21S 48/00; F21S 48/225;
F21S 48/2268; F21S 48/1233; F21S 48/1266;
F21S 48/1388; F21V 21/04

See application file for complete search history.

(56) **References Cited**

U.S. PATENT DOCUMENTS

D581,072 S * 11/2008 Hatake D26/28
D614,330 S * 4/2010 Lamm et al. D26/28
D660,483 S * 5/2012 Gotschke et al. D26/28

D664,688 S * 7/2012 Kim et al. D26/28
D671,248 S * 11/2012 Fuchigami et al. D26/28
D685,936 S * 7/2013 Suzuki D26/28
D709,633 S * 7/2014 Kabata D26/28
D715,471 S * 10/2014 Nagasaka et al. D26/28
D719,691 S * 12/2014 Nordmann D26/28
D720,869 S * 1/2015 Knoedle-Bunte et al. D26/28

* cited by examiner

Primary Examiner — Cynthia Ramirez

Assistant Examiner — Llorellys Martinez-Rivera

(74) *Attorney, Agent, or Firm* — LeClairRyan

(57) **CLAIM**

The ornamental design for a vehicle tail lamp, as shown and described.

DESCRIPTION

FIG. 1 is a perspective view of a left vehicle tail lamp showing our new design;

FIG. 2 is another perspective view thereof;

FIG. 3 is a front elevational view thereof;

FIG. 4 is a left side elevational view thereof;

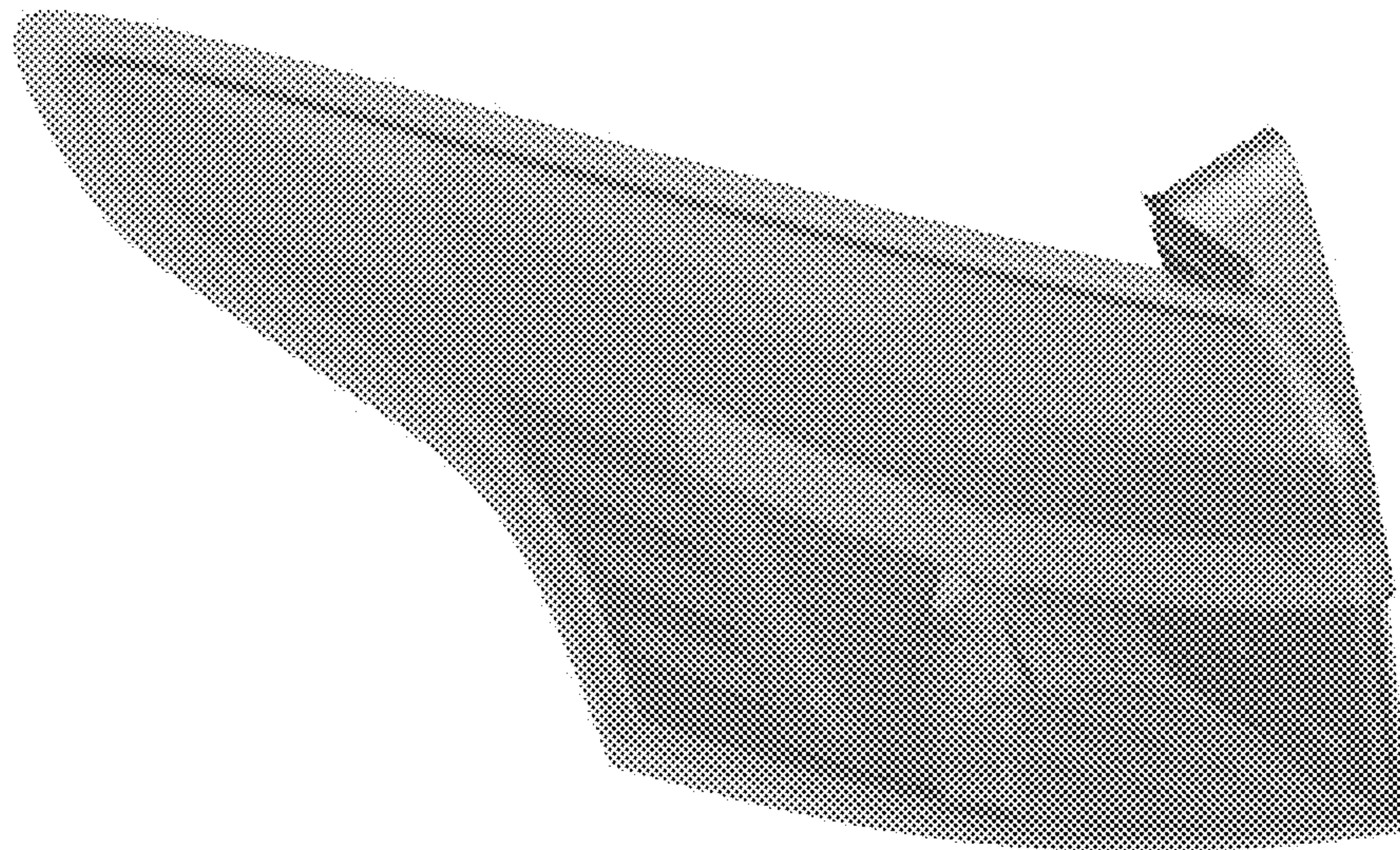
FIG. 5 is a right side elevational view thereof;

FIG. 6 is a top plan view thereof; and,

FIG. 7 is a bottom plan view thereof.

The novel design also includes an embodiment of a right vehicle tail lamp which is mirror symmetrical to the embodiment of FIGS. 1-7 and therefore is not separately illustrated.

1 Claim, 7 Drawing Sheets



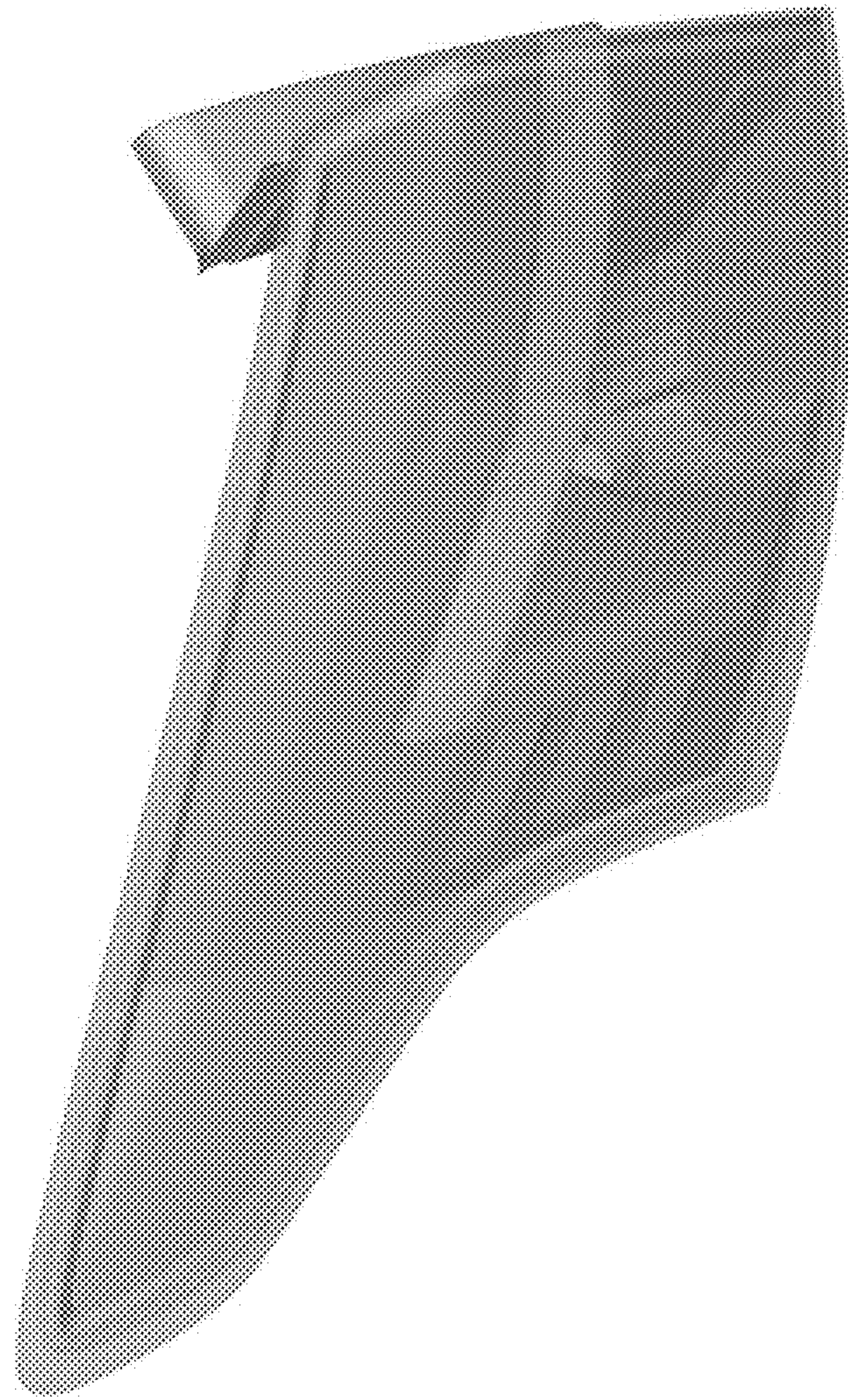


Figure 1

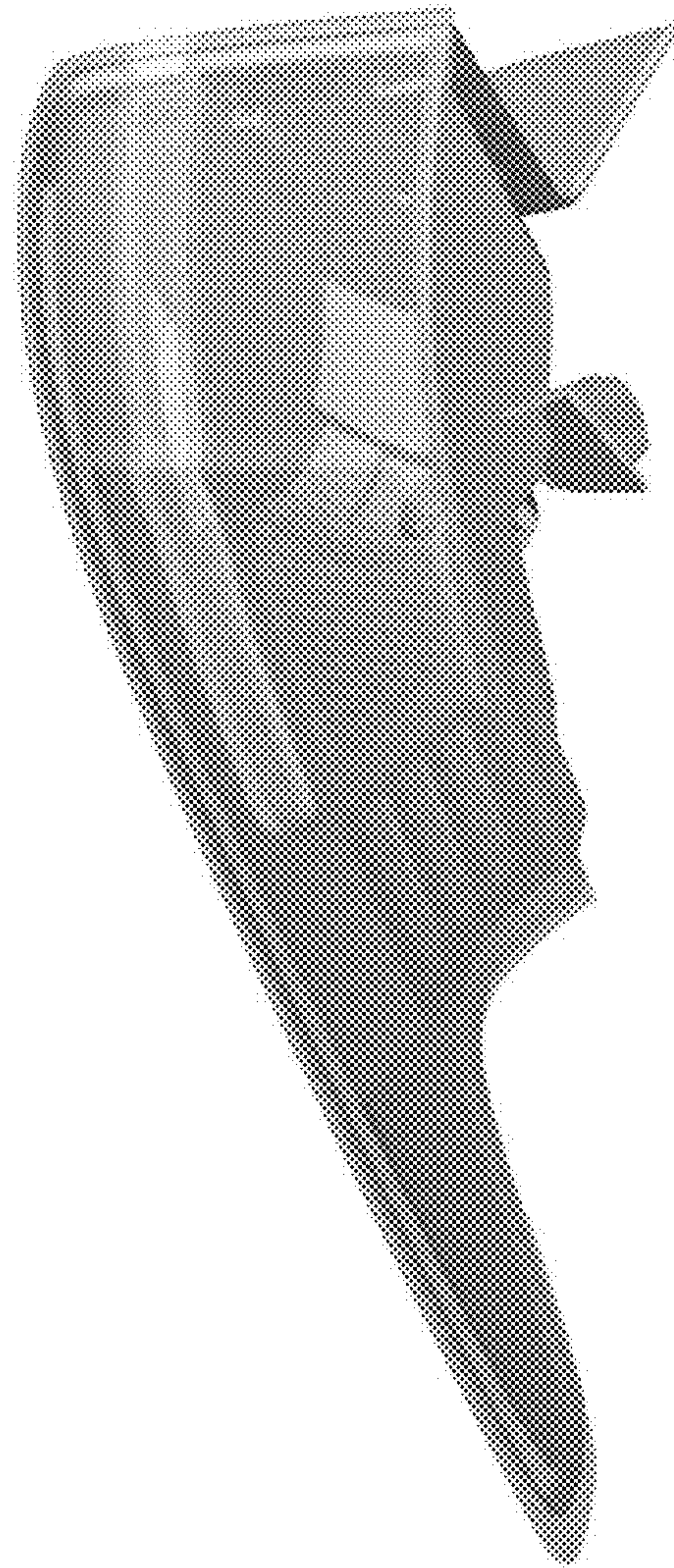


Figure 2



Figure 3

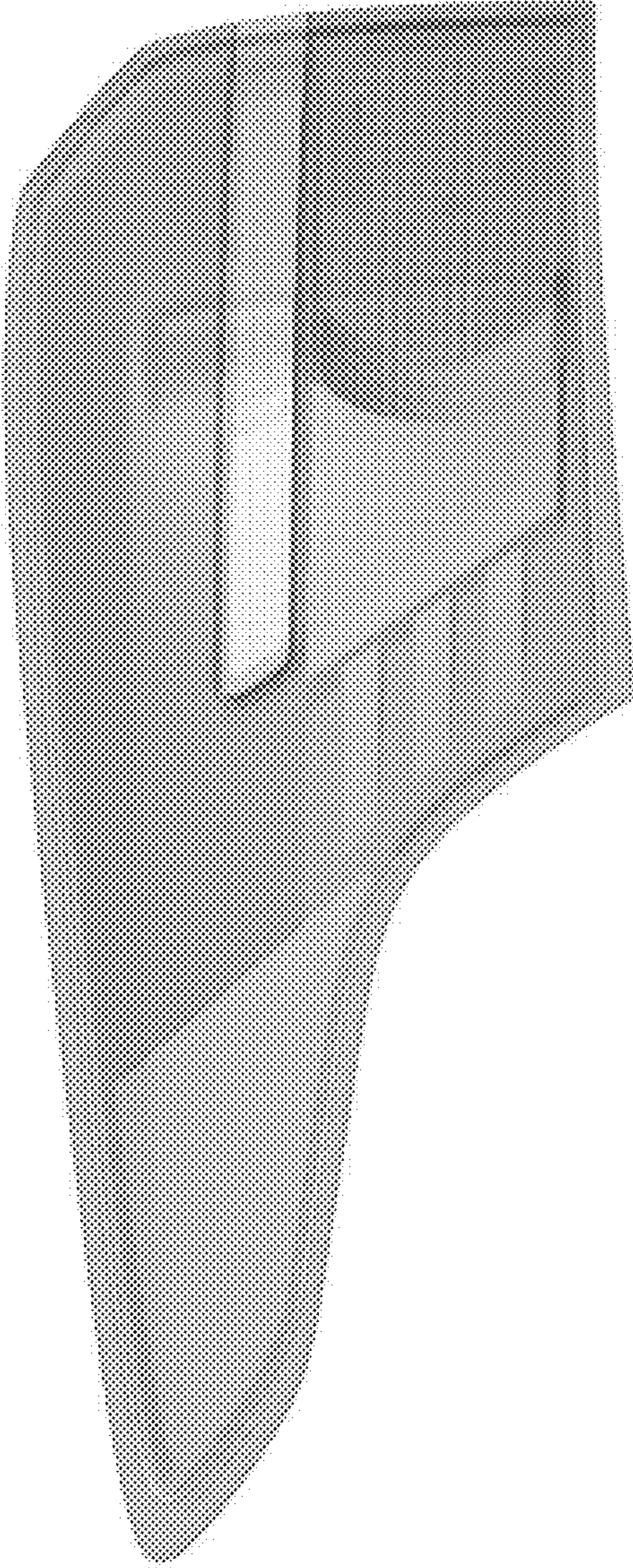


Figure 4

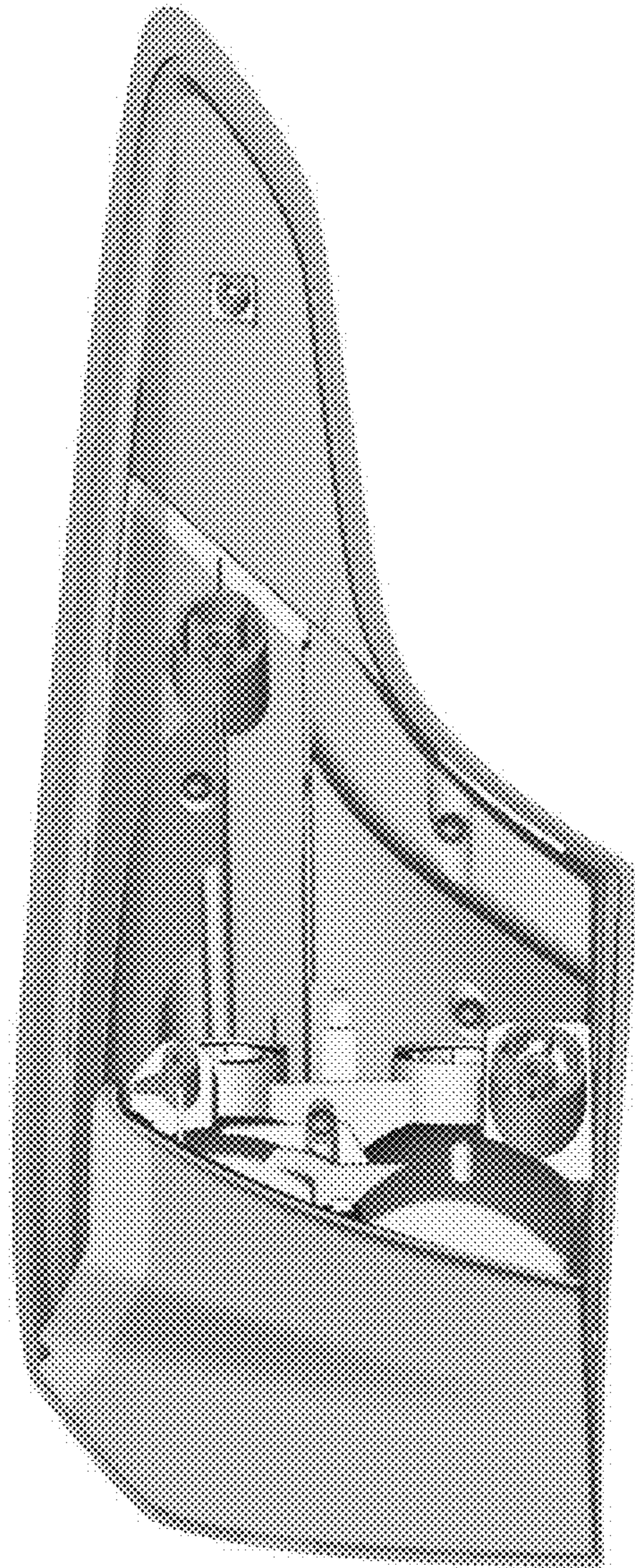


Figure 5

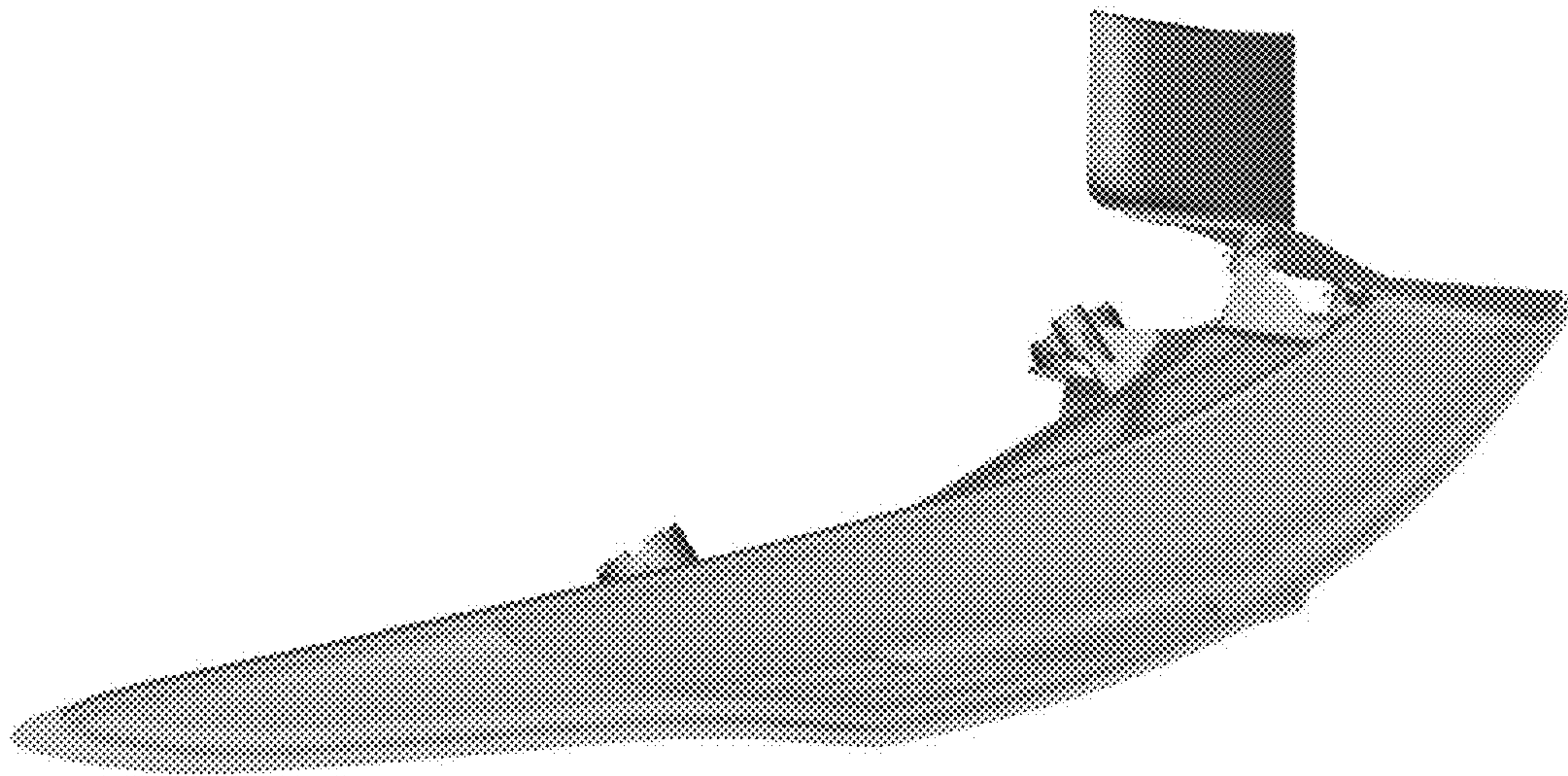


Figure 6

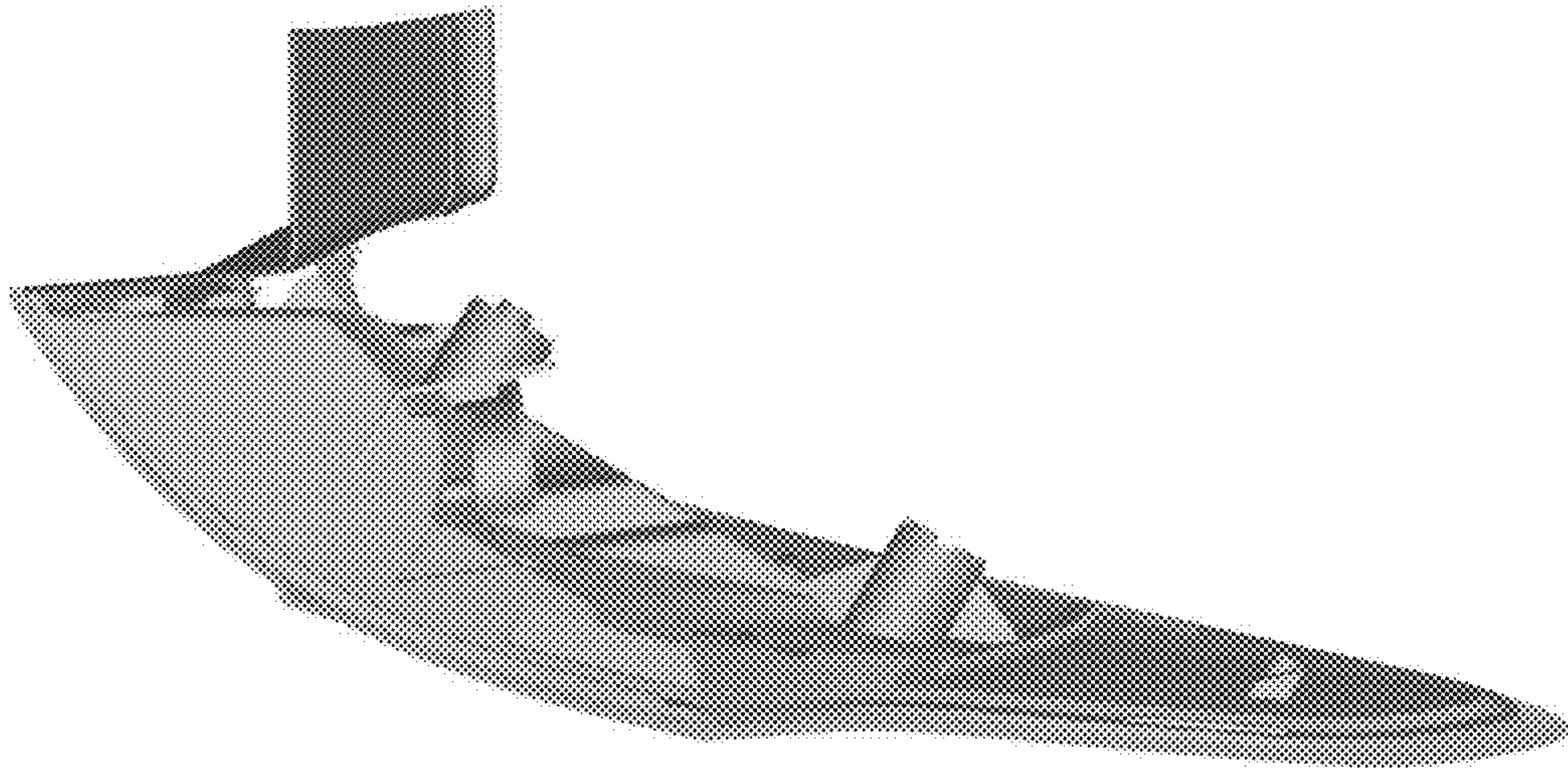


Figure 7