



US00D750294S

(12) **United States Design Patent**  
**Wolff et al.**

(10) **Patent No.:** **US D750,294 S**  
(45) **Date of Patent:** **\*\* Feb. 23, 2016**

(54) **VEHICLE TAIL LAMP**

- (71) Applicant: **Ford Motor Company**, Dearborn, MI (US)
- (72) Inventors: **Max Wolff**, Birmingham, MI (US);  
**James Everett Grake**, Beverly Hills, MI (US); **George Bucher**, Dearborn, MI (US); **Soohyoung Kim**, Northville, MI (US)
- (73) Assignee: **Ford Motor Company**, Dearborn, MI (US)
- (\*\*) Term: **14 Years**
- (21) Appl. No.: **29/480,141**
- (22) Filed: **Jan. 23, 2014**
- (51) **LOC (10) Cl.** ..... **26-06**
- (52) **U.S. Cl.**  
USPC ..... **D26/28**
- (58) **Field of Classification Search**  
USPC ..... D26/28-36; 362/459-476, 485-487,  
362/543-549  
CPC ..... B60Q 1/18; B60Q 1/28; B60Q 1/32;  
B60Q 3/0203; F21S 48/00; F21S 48/225  
See application file for complete search history.

(56) **References Cited**

U.S. PATENT DOCUMENTS

D318,133	S	*	7/1991	Yamamoto	.....	D26/35
D321,945	S	*	11/1991	Yamamoto	.....	D26/35
D580,572	S	*	11/2008	Lamm	.....	D26/28
D581,067	S	*	11/2008	Terui	.....	D26/28
D617,477	S	*	6/2010	Woolley et al.	.....	D26/28
D661,830	S	*	6/2012	de Queiroz	.....	D26/28
D663,873	S	*	7/2012	Platto et al.	.....	D26/28
D690,849	S	*	10/2013	Kawaguchi	.....	D26/28
D694,921	S	*	12/2013	Mackay	.....	D26/28

\* cited by examiner

*Primary Examiner* — Cynthia Ramirez  
*Assistant Examiner* — Llorellys Martinez-Rivera  
(74) *Attorney, Agent, or Firm* — LeClairRyan

(57) **CLAIM**

The ornamental design for a vehicle tail lamp, as shown and described.

**DESCRIPTION**

FIG. 1 is a perspective view of a left vehicle tail lamp showing our new design;  
FIG. 2 is another perspective view thereof;  
FIG. 3 is a front elevational view thereof;  
FIG. 4 is a left side elevational view thereof;  
FIG. 5 is a right side elevational view thereof;  
FIG. 6 is a top plan view thereof; and,  
FIG. 7 is a bottom plan view thereof.  
The novel design also includes an embodiment of a right vehicle tail lamp which is mirror symmetrical to the embodiment of FIGS. 1-7 and therefore is not separately illustrated.

**1 Claim, 7 Drawing Sheets**

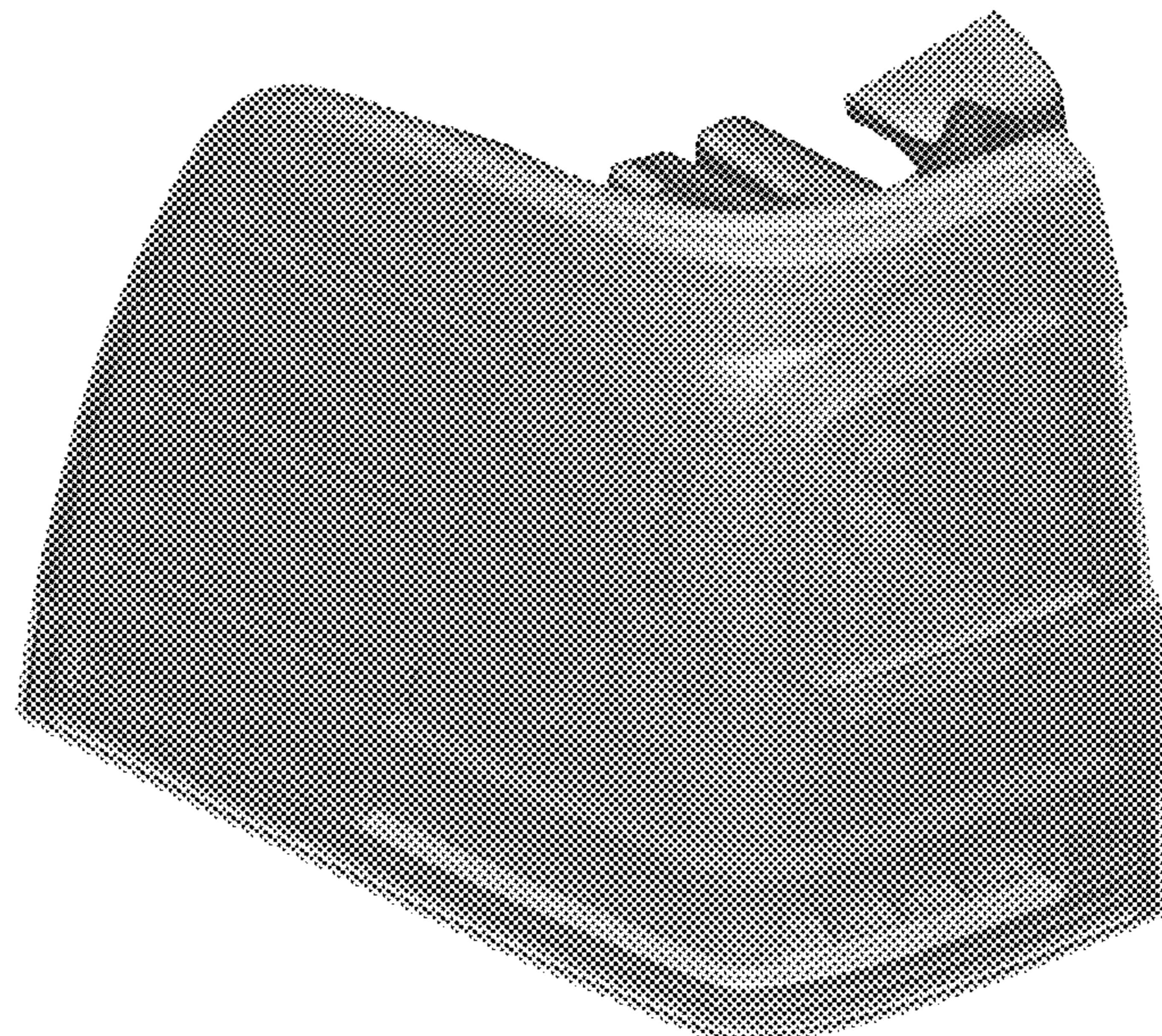




Figure 1

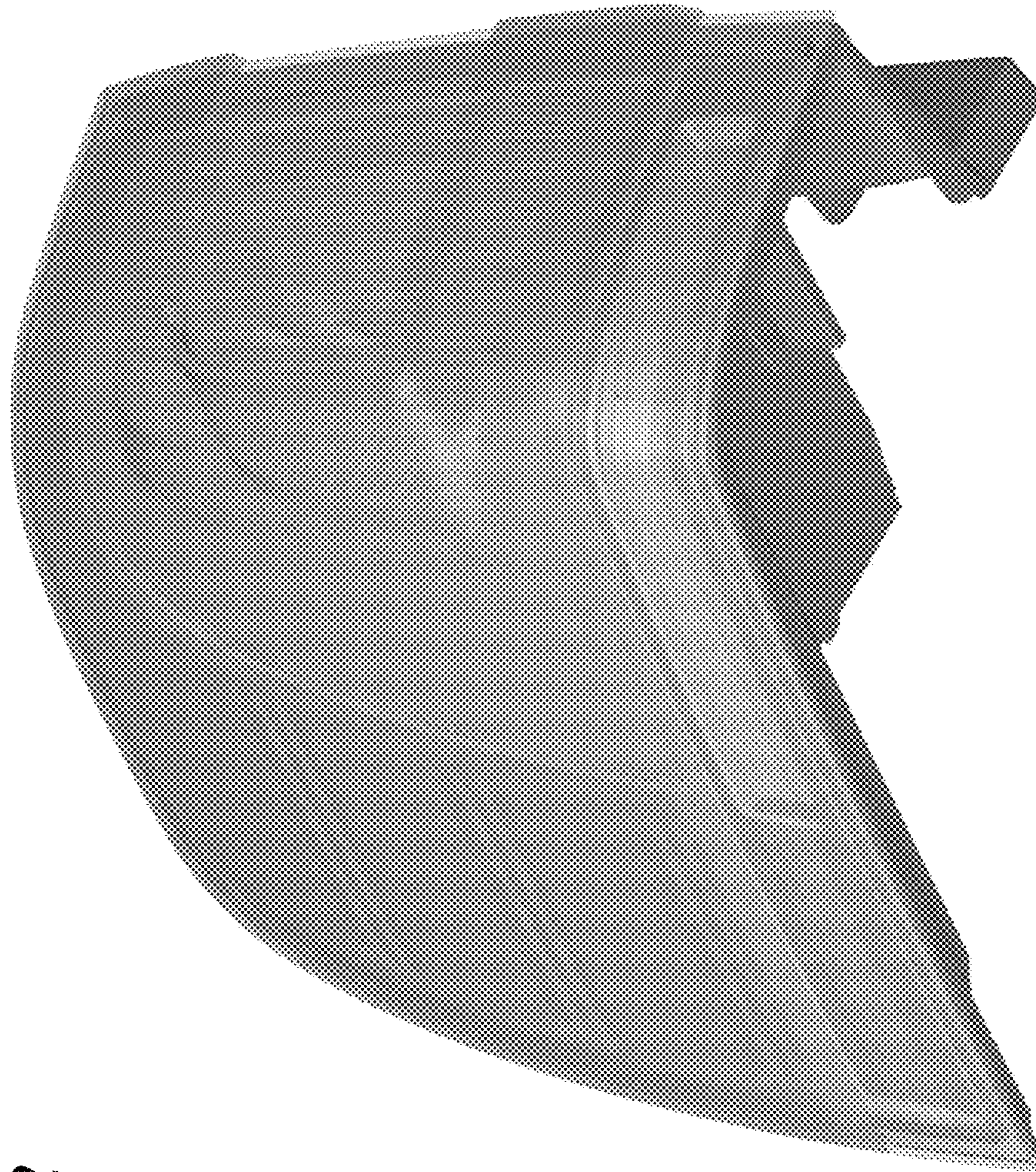


Figure 2

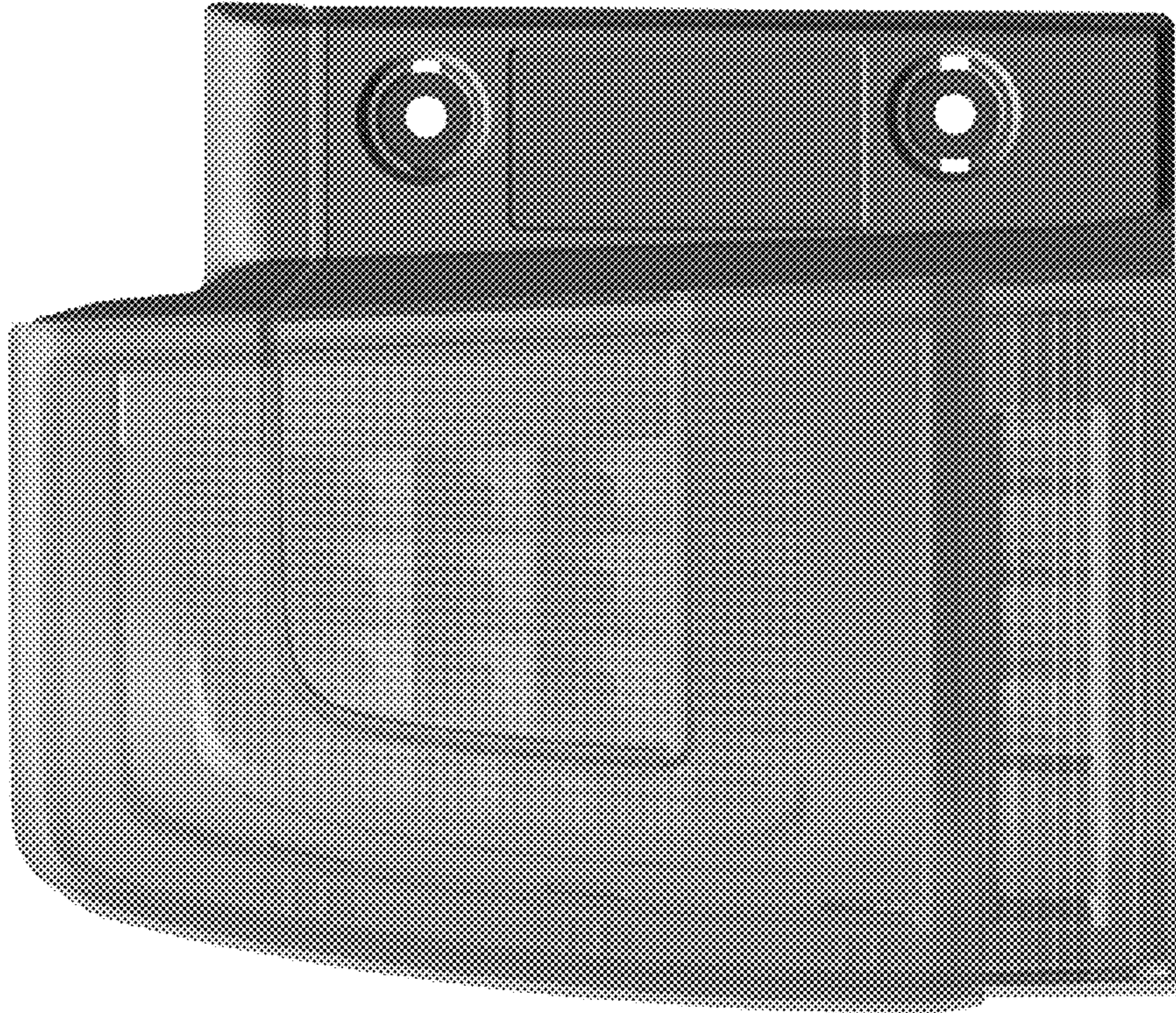


Figure 3



Figure 4

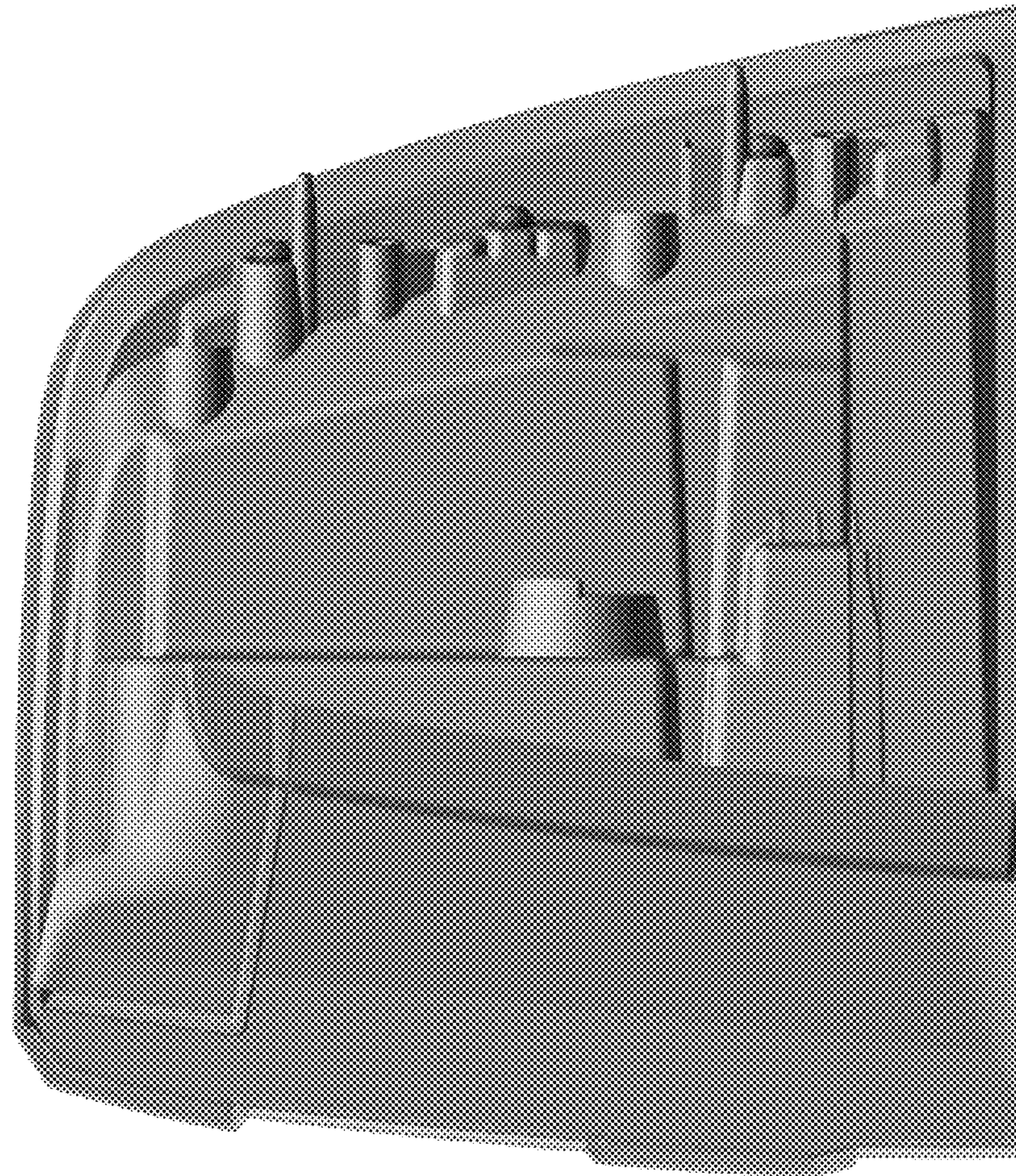


Figure 5

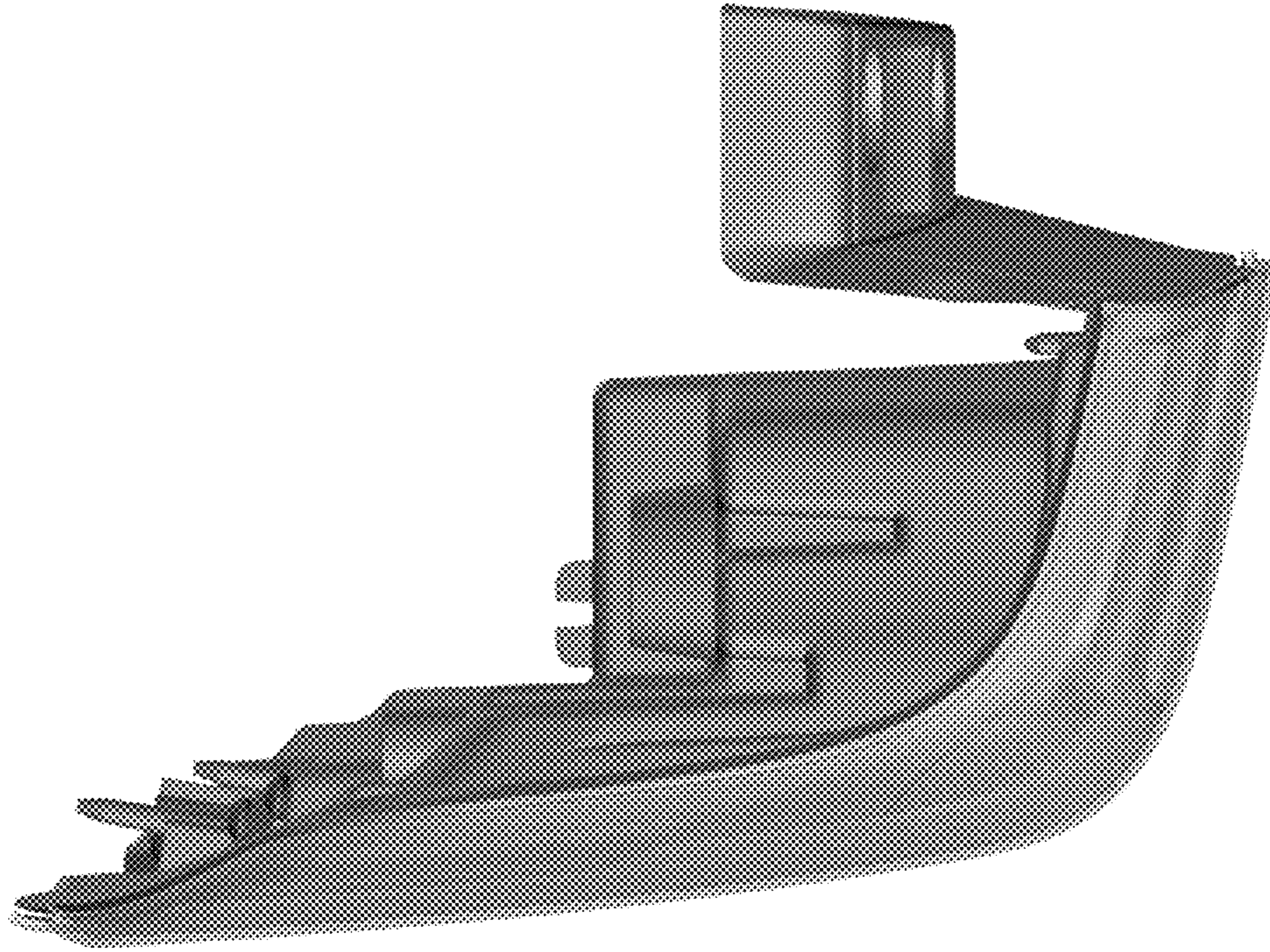


Figure 6

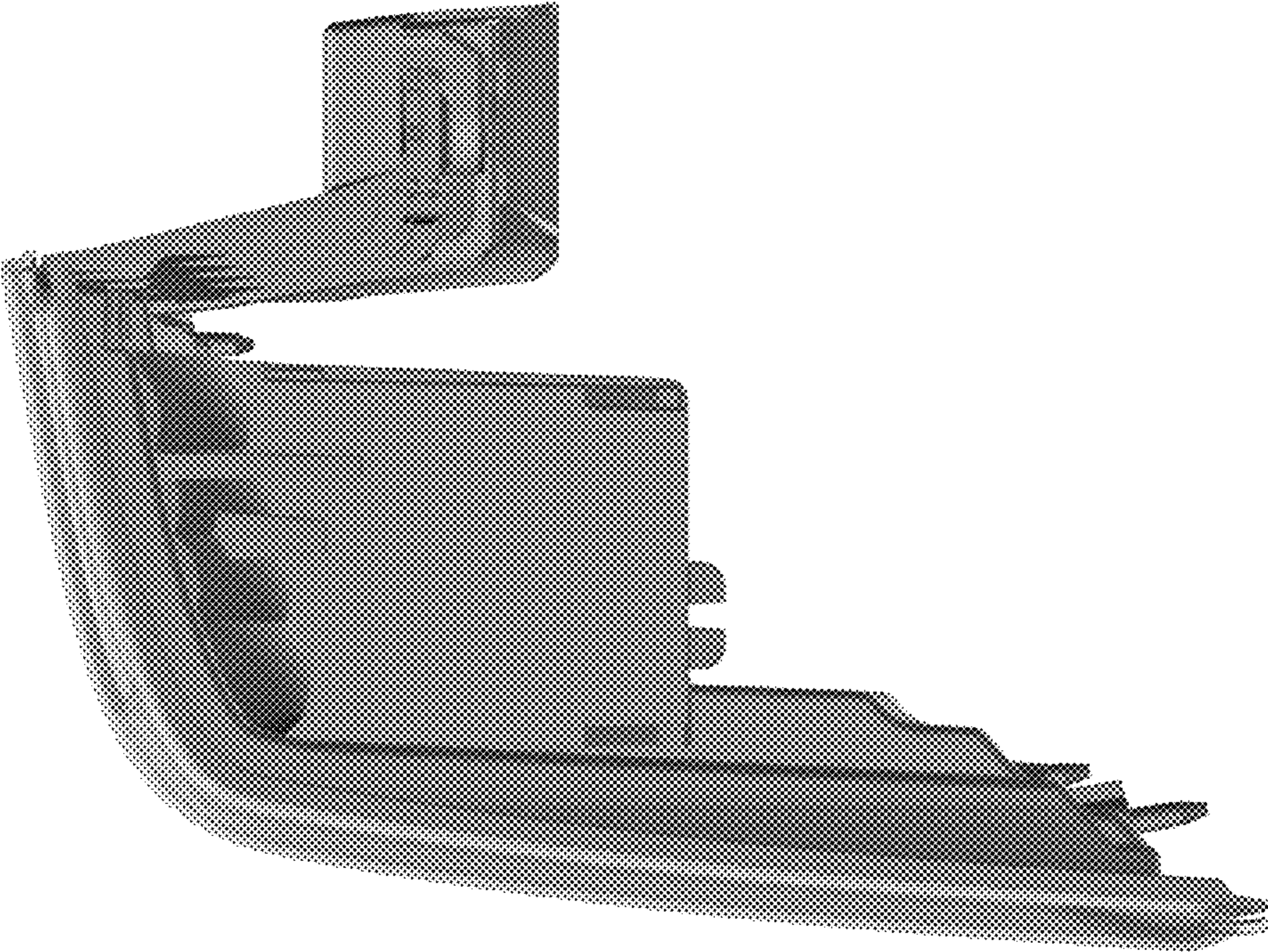


Figure 7