



US00D750293S

(12) **United States Design Patent**  
**Wolff et al.**

(10) **Patent No.:** **US D750,293 S**  
(45) **Date of Patent:** **\*\* Feb. 23, 2016**

(54) **VEHICLE HEADLAMP**

(71) Applicant: **Ford Motor Company**, Dearborn, MI (US)  
(72) Inventors: **Max Wolff**, Birmingham, MI (US); **James Everett Grake**, Beverly Hills, MI (US); **George Bucher**, Dearborn, MI (US); **Soohyoung Kim**, Northville, MI (US)  
(73) Assignee: **Ford Motor Company**, Dearborn, MI (US)

(\*\*) Term: **14 Years**

(21) Appl. No.: **29/480,135**

(22) Filed: **Jan. 23, 2014**

(51) **LOC (10) Cl.** ..... **26-06**

(52) **U.S. Cl.**  
USPC ..... **D26/28**

(58) **Field of Classification Search**  
USPC ..... D26/28-36; 362/459-476, 485-487, 362/543-549  
CPC ..... B60Q 1/18; B60Q 1/28; B60Q 1/32; B60Q 3/0203; F21S 48/00; F21S 48/225  
See application file for complete search history.

(56) **References Cited**

U.S. PATENT DOCUMENTS

D671,247 S *	11/2012	Binder et al.	.....	D26/28
D677,812 S *	3/2013	Nakamura	.....	D26/28
D681,856 S *	5/2013	Tsai	.....	D26/28
D703,350 S *	4/2014	Kim et al.	.....	D26/28
D715,978 S *	10/2014	Loeb	.....	D26/28
D717,981 S *	11/2014	Lai	.....	D26/28
D721,194 S *	1/2015	Ito et al.	.....	D26/28
D721,196 S *	1/2015	Lai	.....	D26/28

\* cited by examiner

*Primary Examiner* — Cynthia Ramirez  
*Assistant Examiner* — Llorellys Martinez-Rivera  
(74) *Attorney, Agent, or Firm* — LeClairRyan

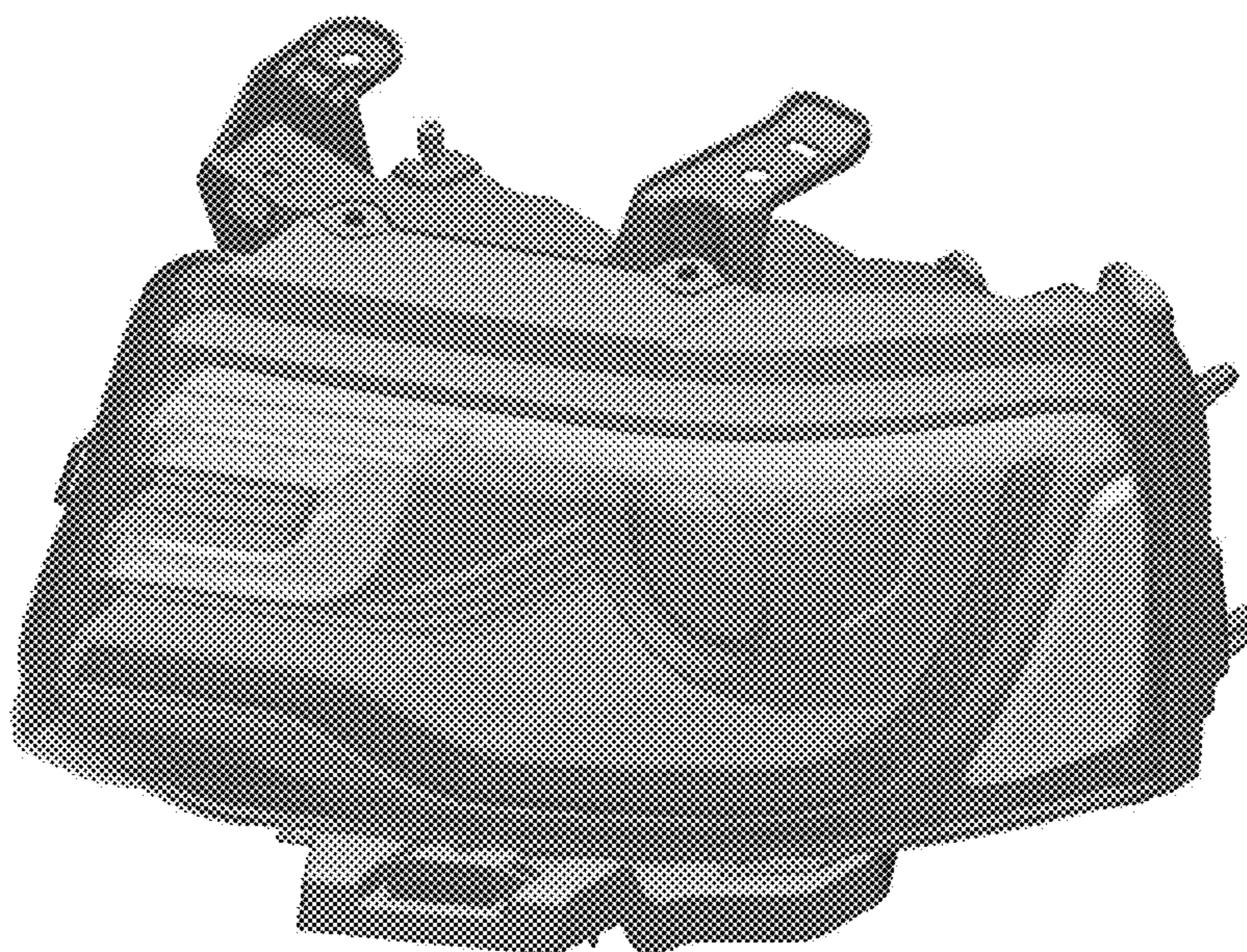
(57) **CLAIM**

The ornamental design for a vehicle headlamp, as shown and described.

**DESCRIPTION**

FIG. 1 is a perspective view of a left vehicle headlamp showing our new design;  
FIG. 2 is another perspective view thereof;  
FIG. 3 is a front elevational view thereof;  
FIG. 4 is a left side elevational view thereof;  
FIG. 5 is a right side elevational view thereof;  
FIG. 6 is a top plan view thereof; and,  
FIG. 7 is a bottom plan view thereof.  
The novel design also includes an embodiment of a right vehicle headlamp which is mirror symmetrical to the embodiment of FIGS. 1-7 and therefore is not separately illustrated.

**1 Claim, 7 Drawing Sheets**



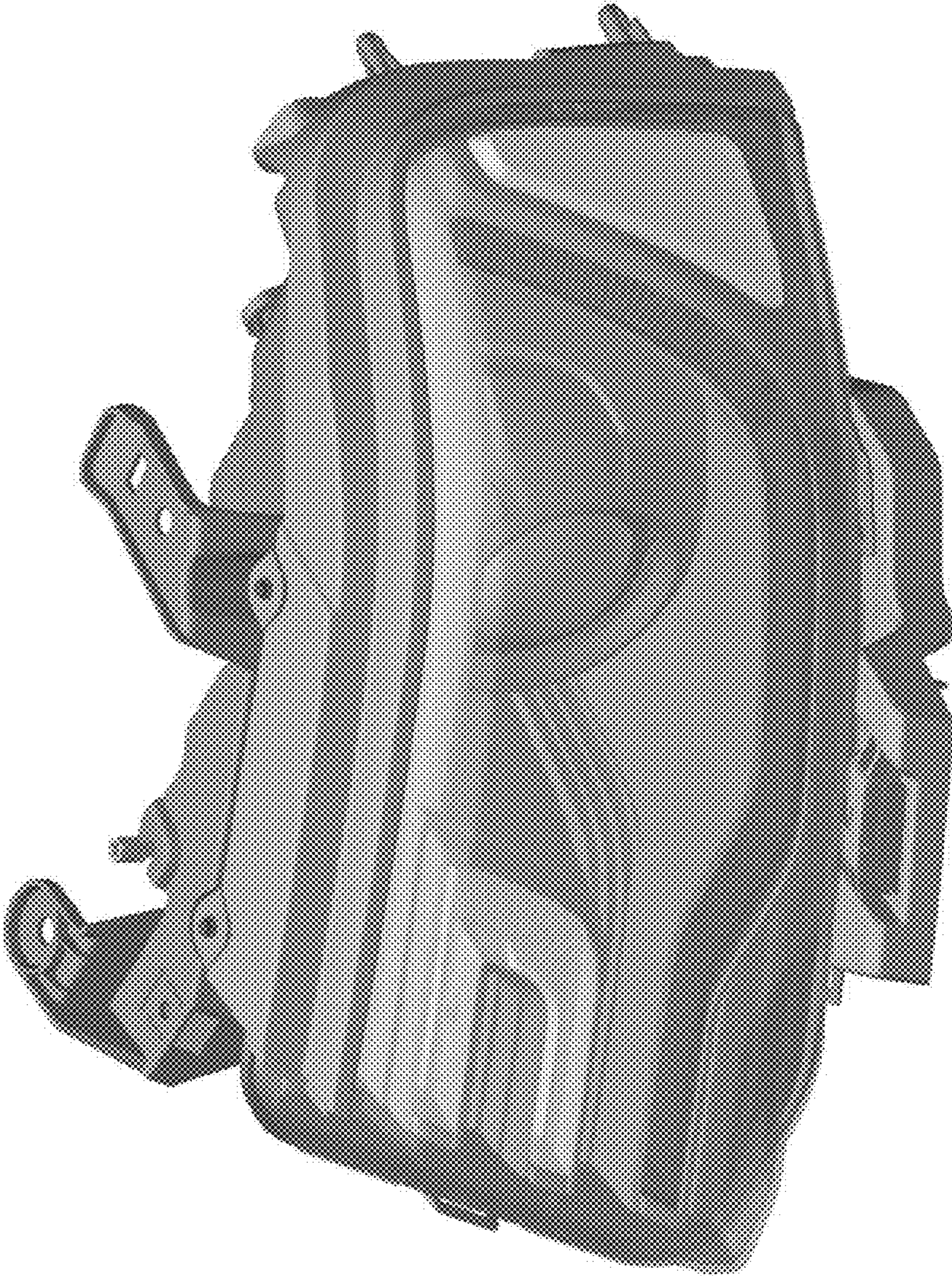


Figure 1

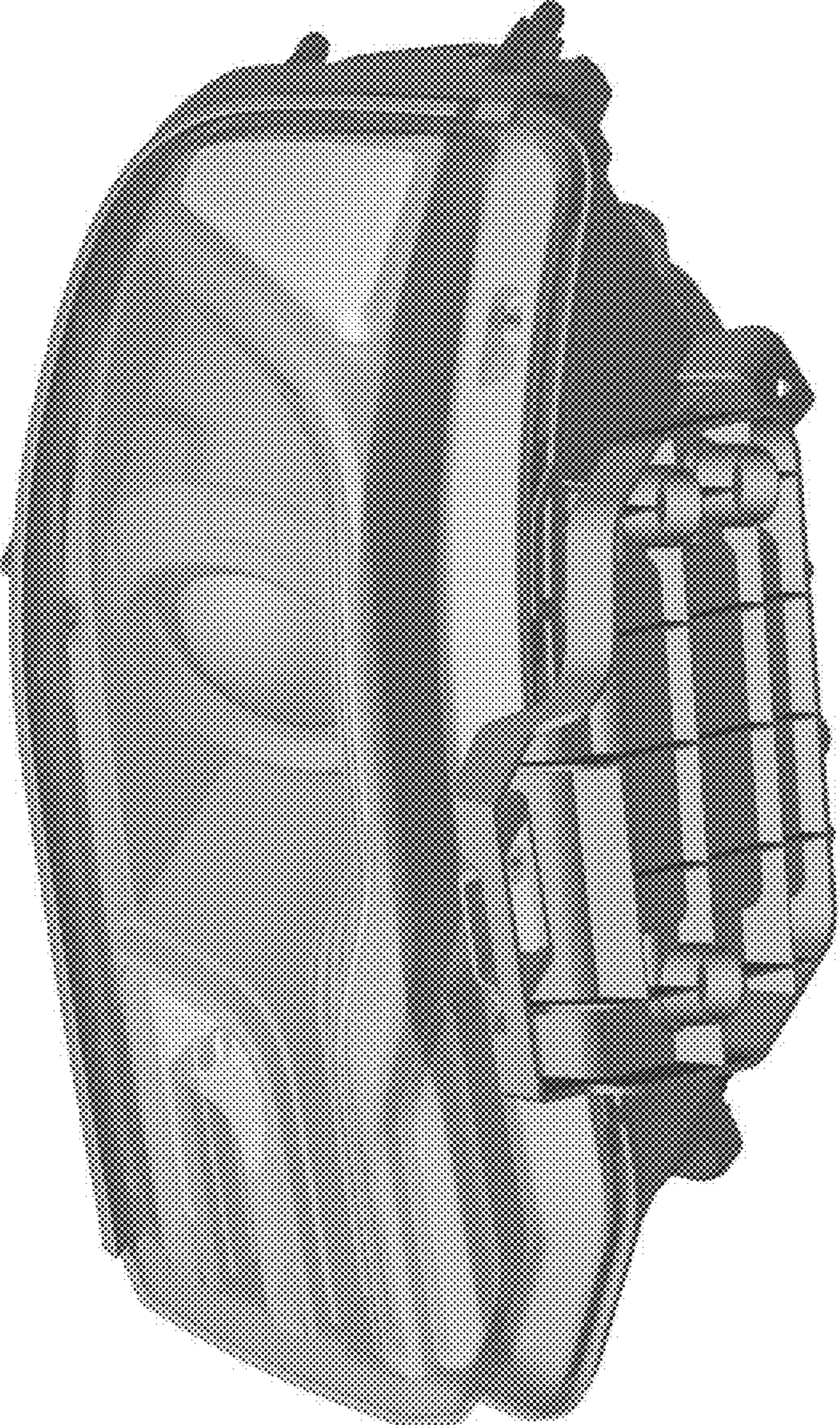


Figure 2

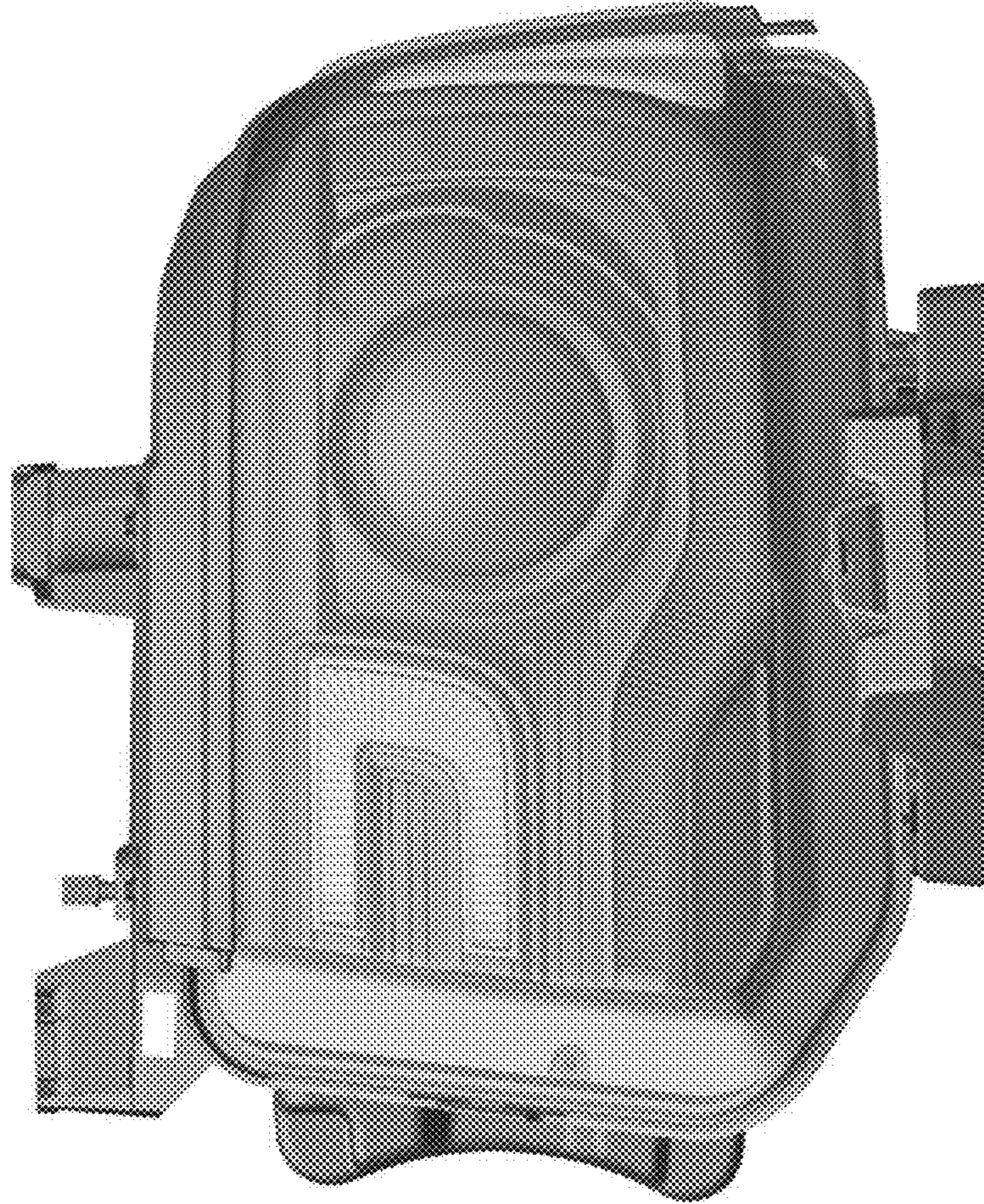


Figure 3

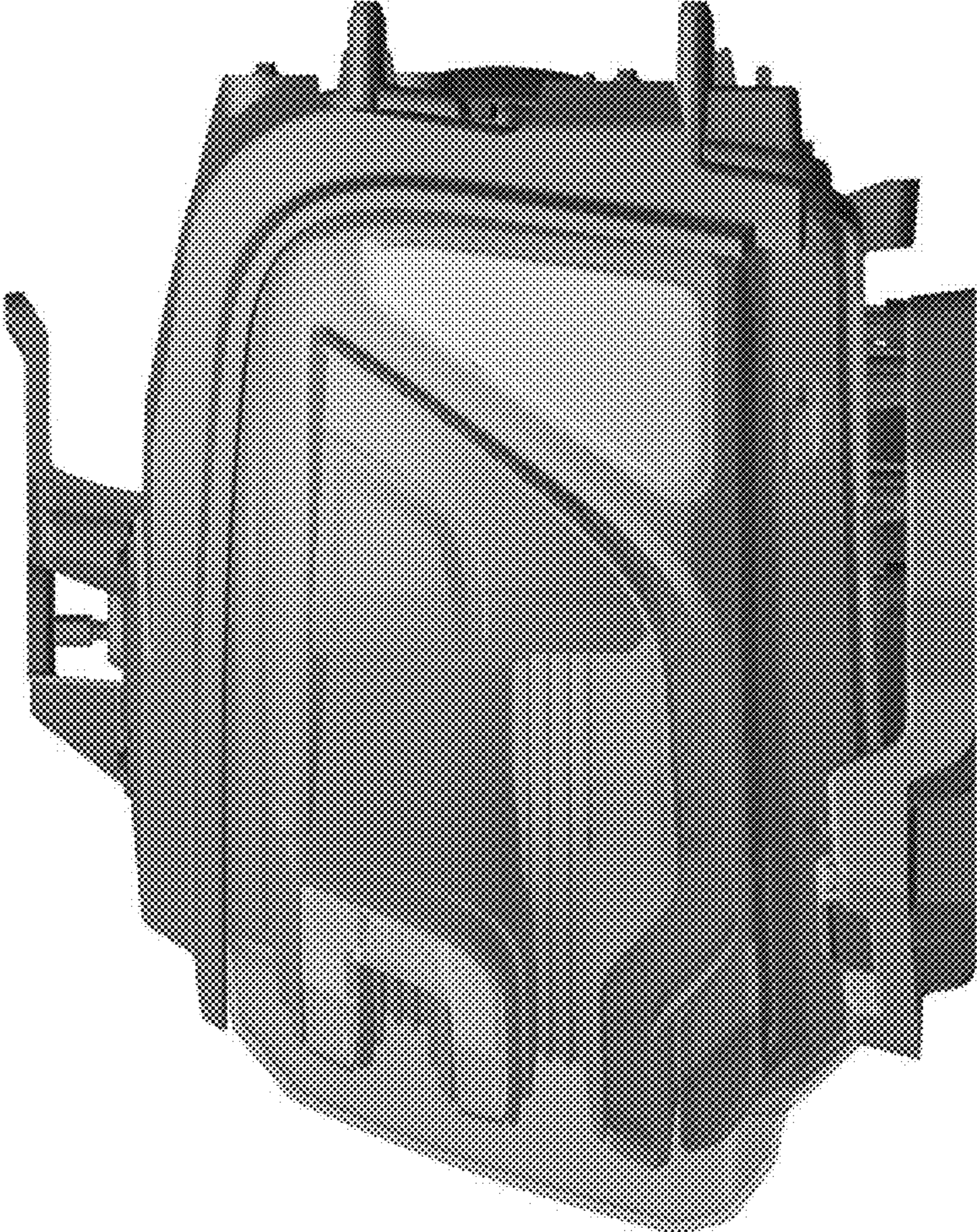


Figure 4

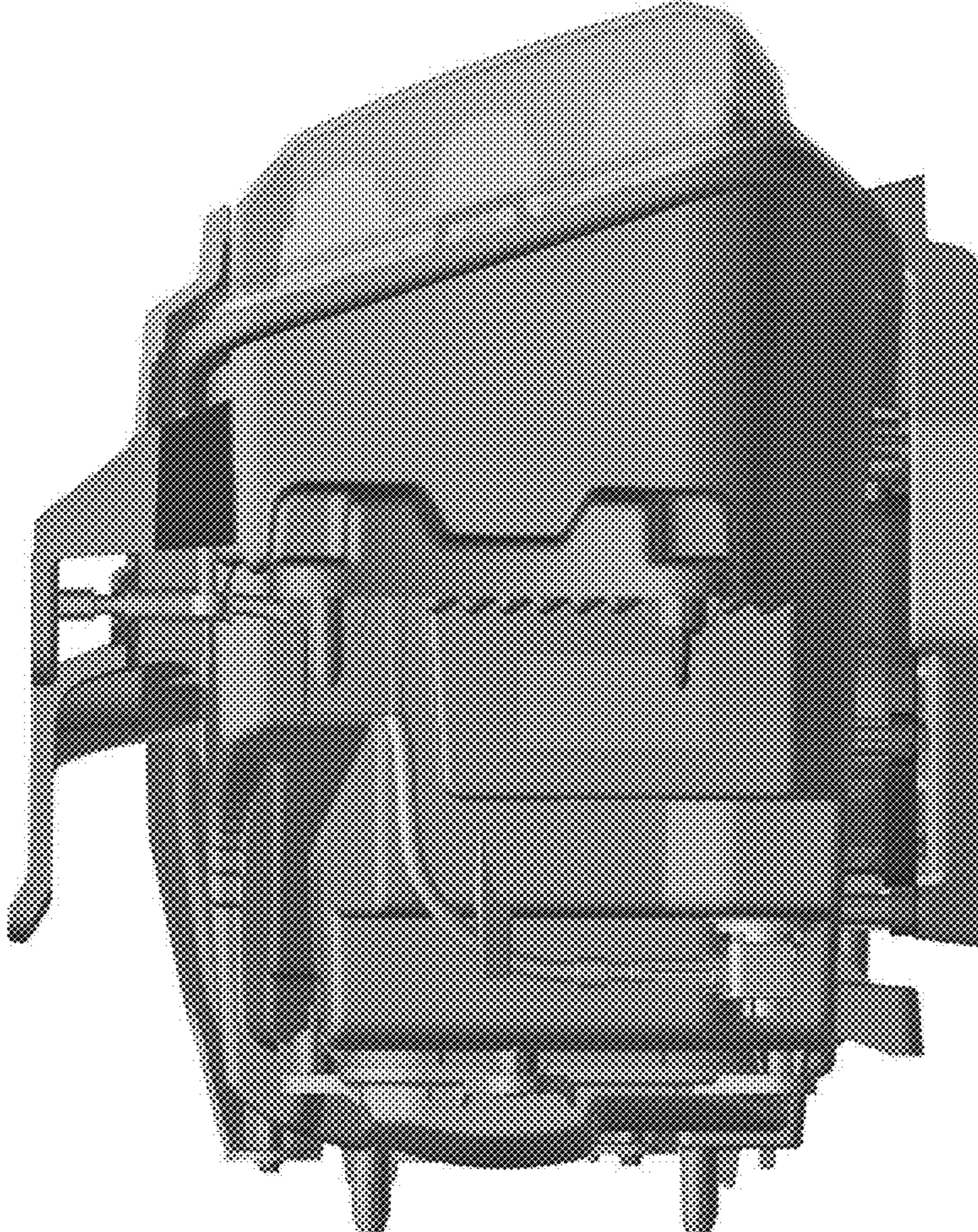


Figure 5

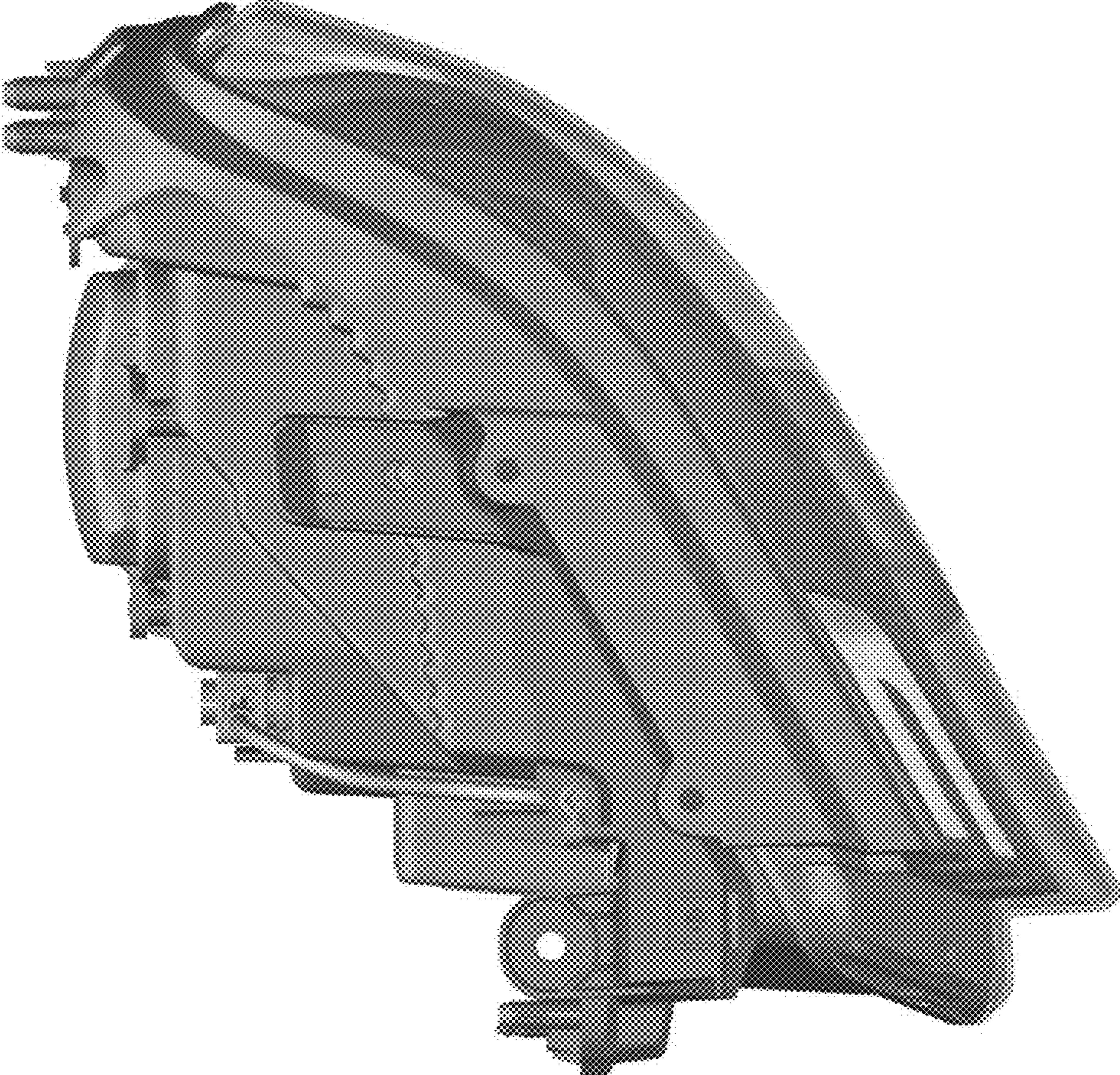


Figure 6

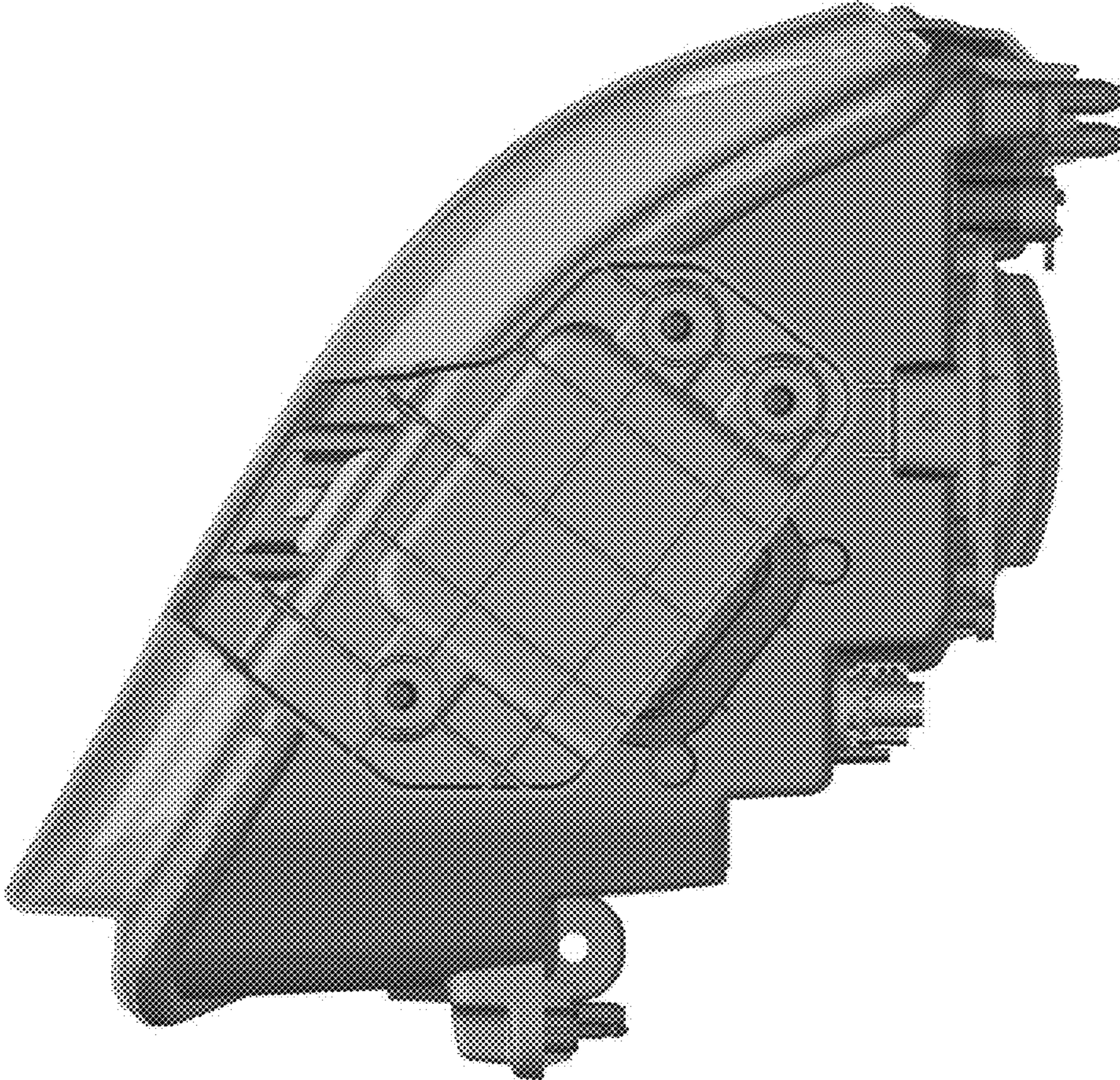


Figure 7