



US00D750292S

(12) **United States Design Patent**
Platto et al.

(10) **Patent No.:** **US D750,292 S**
(45) **Date of Patent:** **** Feb. 23, 2016**

(54) **VEHICLE TAILLIGHT**

(71) Applicant: **Ford Motor Company**, Dearborn, MI (US)
(72) Inventors: **Gordon M. Platto**, Troy, MI (US); **Bradley A. Richards**, Bloomfield Hills, MI (US); **Moray S. Callum**, Ann Arbor, MI (US); **Joel Piaskowski**, Brighton (AU); **William K. Moore**, West Bloomfield, MI (US); **Bruce P. Williams**, Grosse Pointe Park, MI (US)

(73) Assignee: **Ford Motor Company**, Dearborn, MI (US)

(**) Term: **14 Years**

(21) Appl. No.: **29/475,420**

(22) Filed: **Dec. 3, 2013**

(51) **LOC (10) Cl.** **26-06**

(52) **U.S. Cl.**
USPC **D26/28**

(58) **Field of Classification Search**
USPC D26/28-36; 362/459-476, 485-487, 362/543-549
CPC B60Q 1/18; B60Q 1/28; B60Q 1/32; B60Q 3/0203; F21S 48/00; F21S 48/225

See application file for complete search history.

(56) **References Cited**

U.S. PATENT DOCUMENTS

D526,426 S *	8/2006	Fukui et al.	D26/28
D552,769 S *	10/2007	Leclercq	D26/28
D574,524 S *	8/2008	Tomatsu	D26/28
D601,730 S *	10/2009	Richards et al.	D26/28
D611,175 S *	3/2010	Elliott et al.	D26/28
D617,477 S *	6/2010	Woolley et al.	D26/28
D637,322 S *	5/2011	Yang	D26/28
D637,327 S *	5/2011	Yang	D26/28
D661,830 S *	6/2012	de Queiroz	D26/28
D691,296 S *	10/2013	Platto et al.	D26/28
D708,365 S *	7/2014	Platto et al.	D26/28

* cited by examiner

Primary Examiner — Cynthia Ramirez
Assistant Examiner — Llorellys Martinez-Rivera
(74) *Attorney, Agent, or Firm* — LeClairRyan

(57) **CLAIM**

The ornamental design for a vehicle taillight, as shown and described.

DESCRIPTION

FIG. 1 is a perspective view of a left vehicle taillight showing our new design;
FIG. 2 is another perspective view thereof;
FIG. 3 is a front elevational view thereof;
FIG. 4 is a left side elevational view thereof;
FIG. 5 is a right side elevational view thereof;
FIG. 6 is a top plan view thereof; and,
FIG. 7 is a bottom plan view thereof.

The novel design also includes an embodiment of a right vehicle taillight which is mirror symmetrical to the embodiment of FIGS. 1-7 and therefore is not separately illustrated.

1 Claim, 7 Drawing Sheets

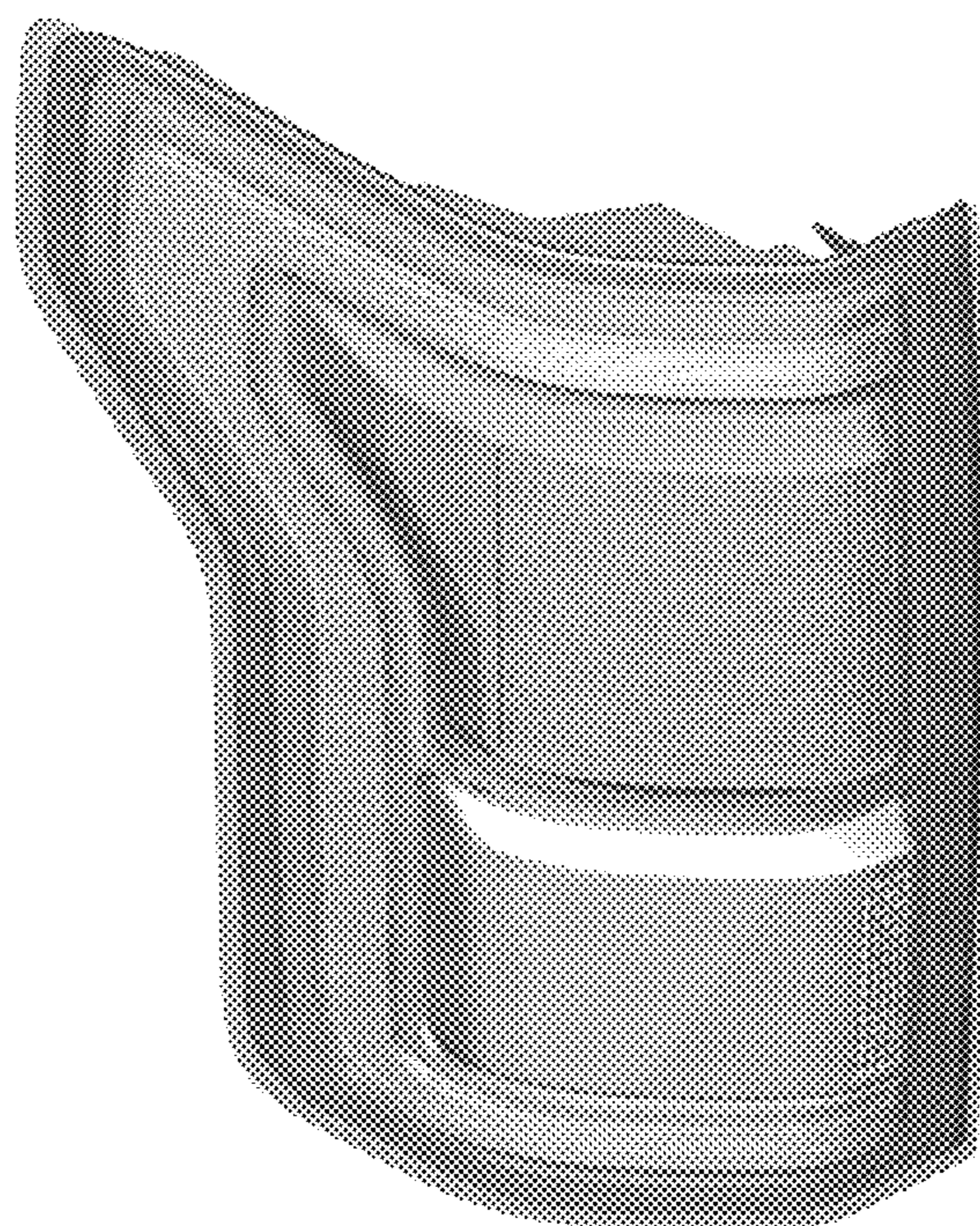
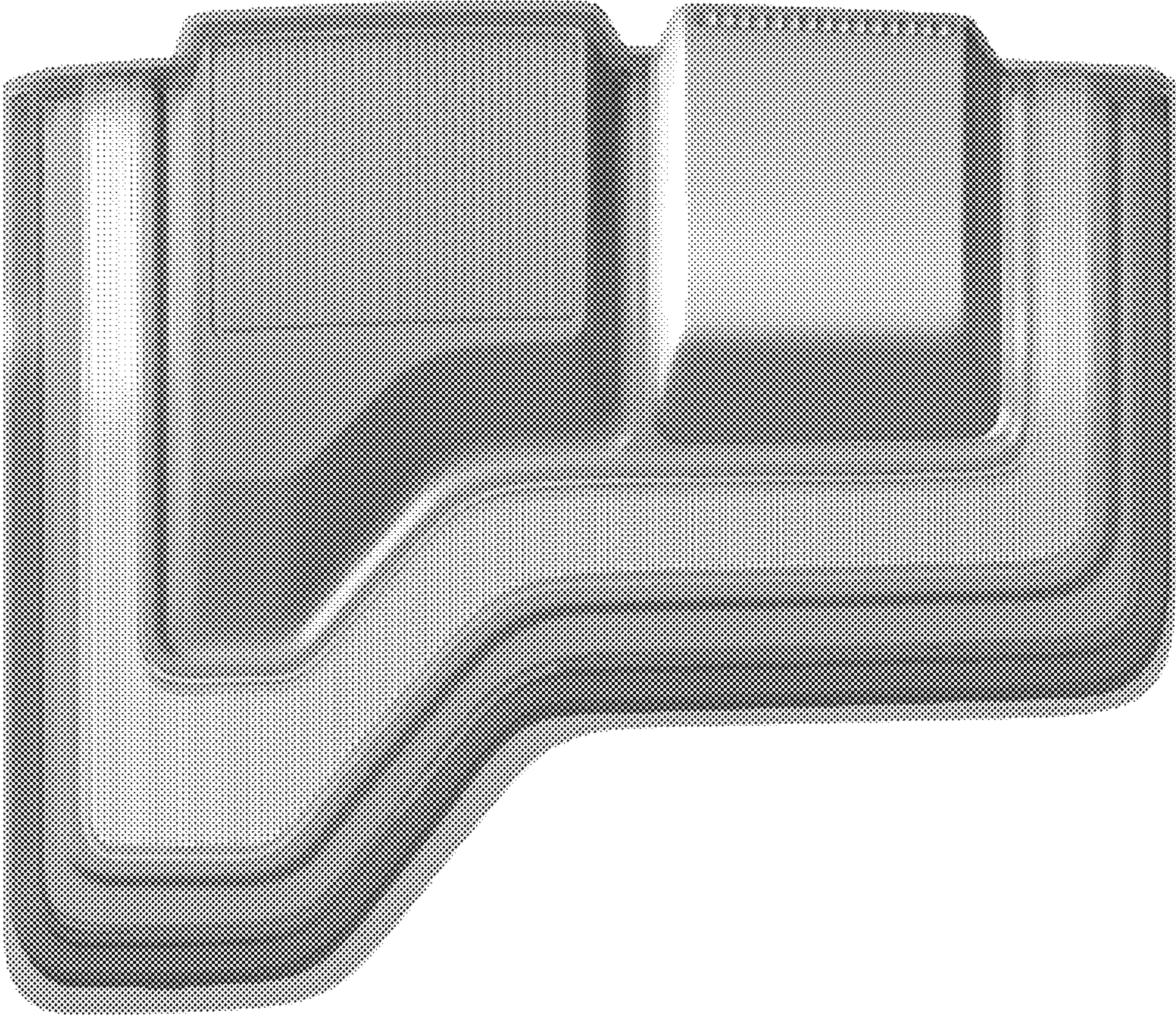


Figure 1



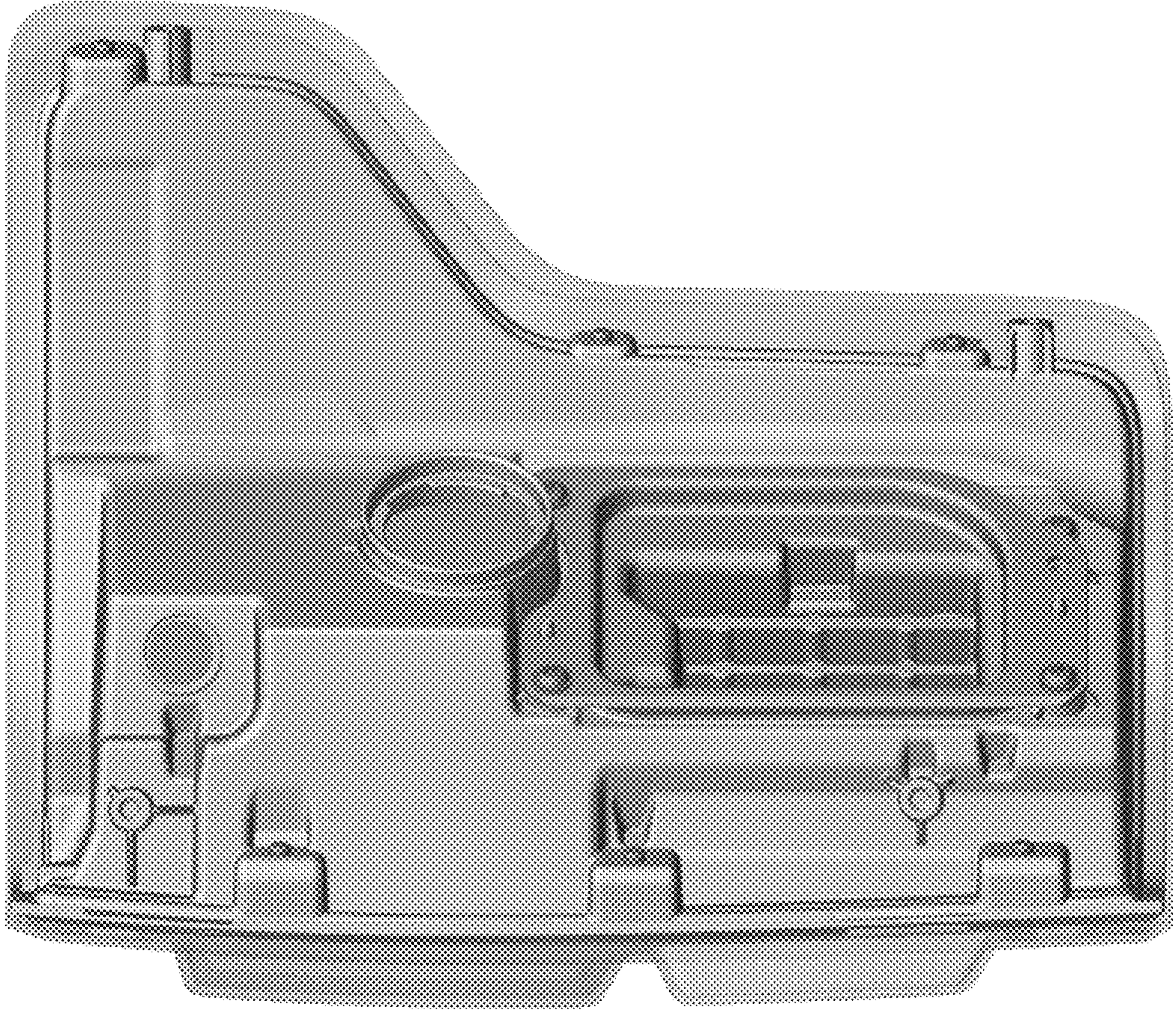


Figure 2

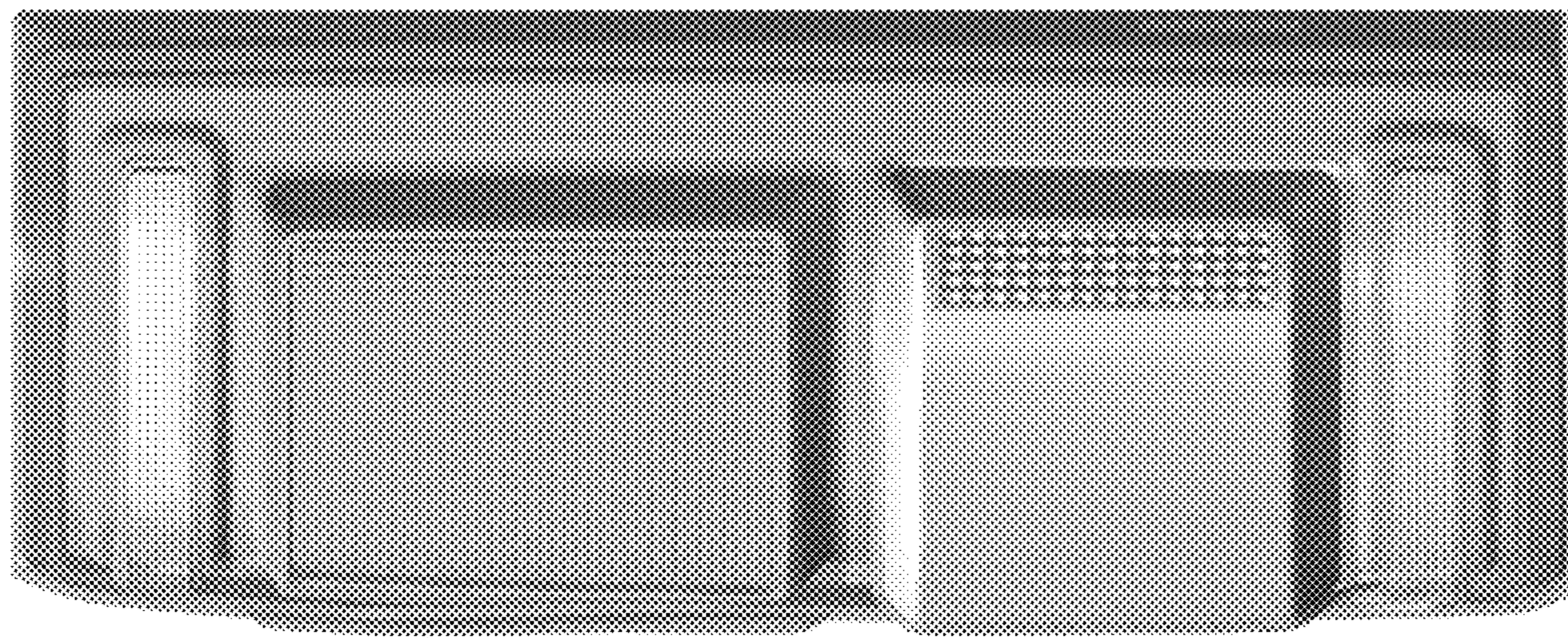


Figure 3

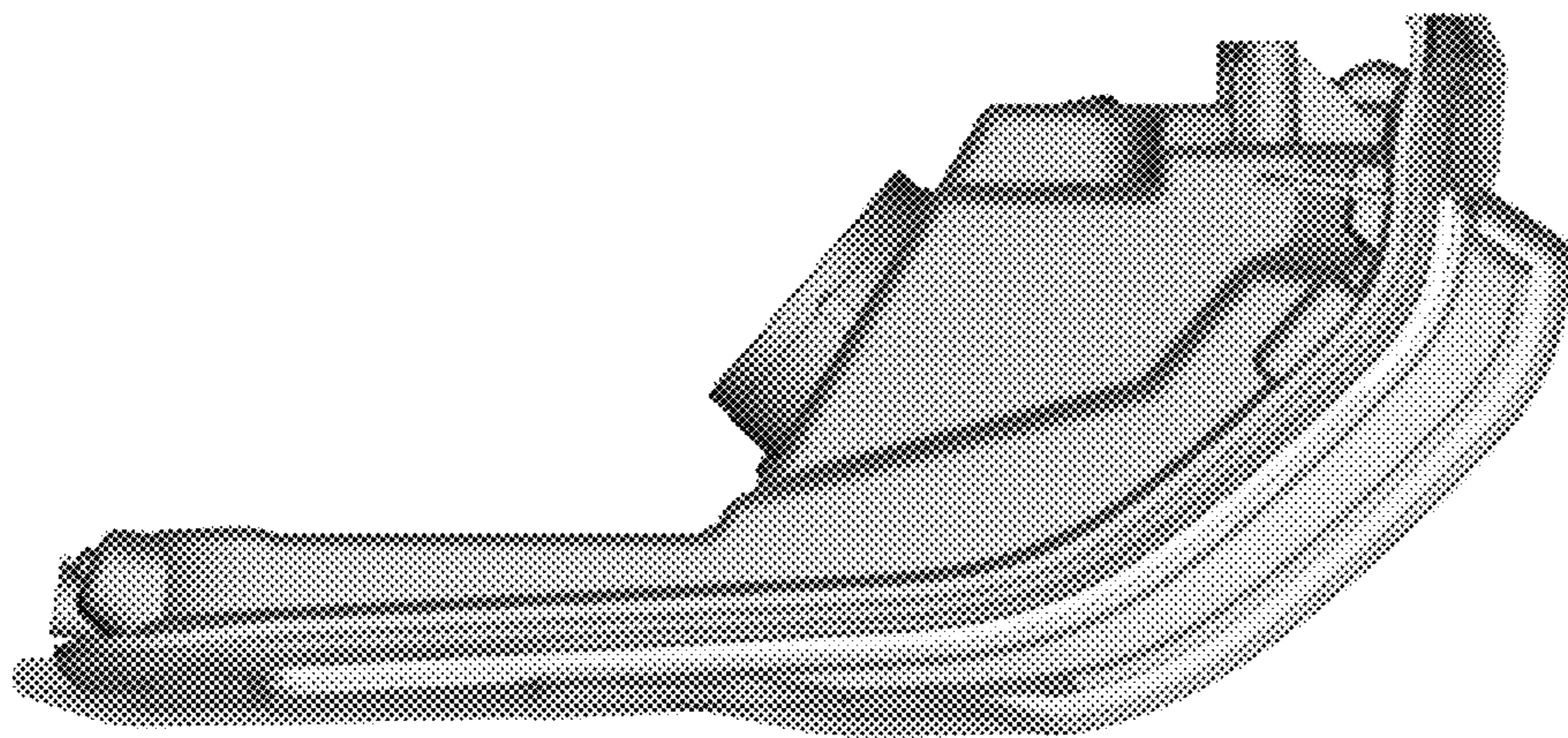


Figure 4

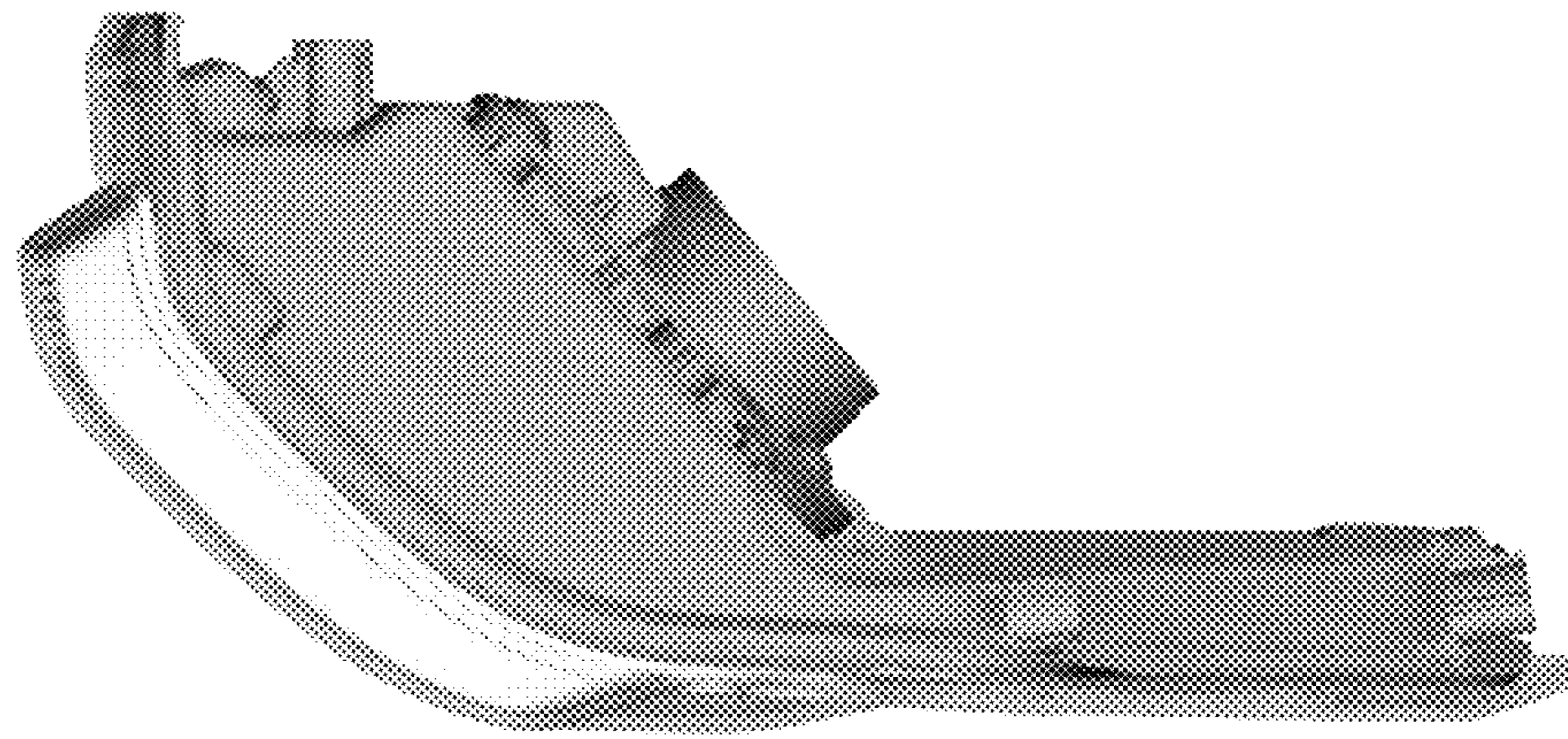


Figure 5

Figure 6

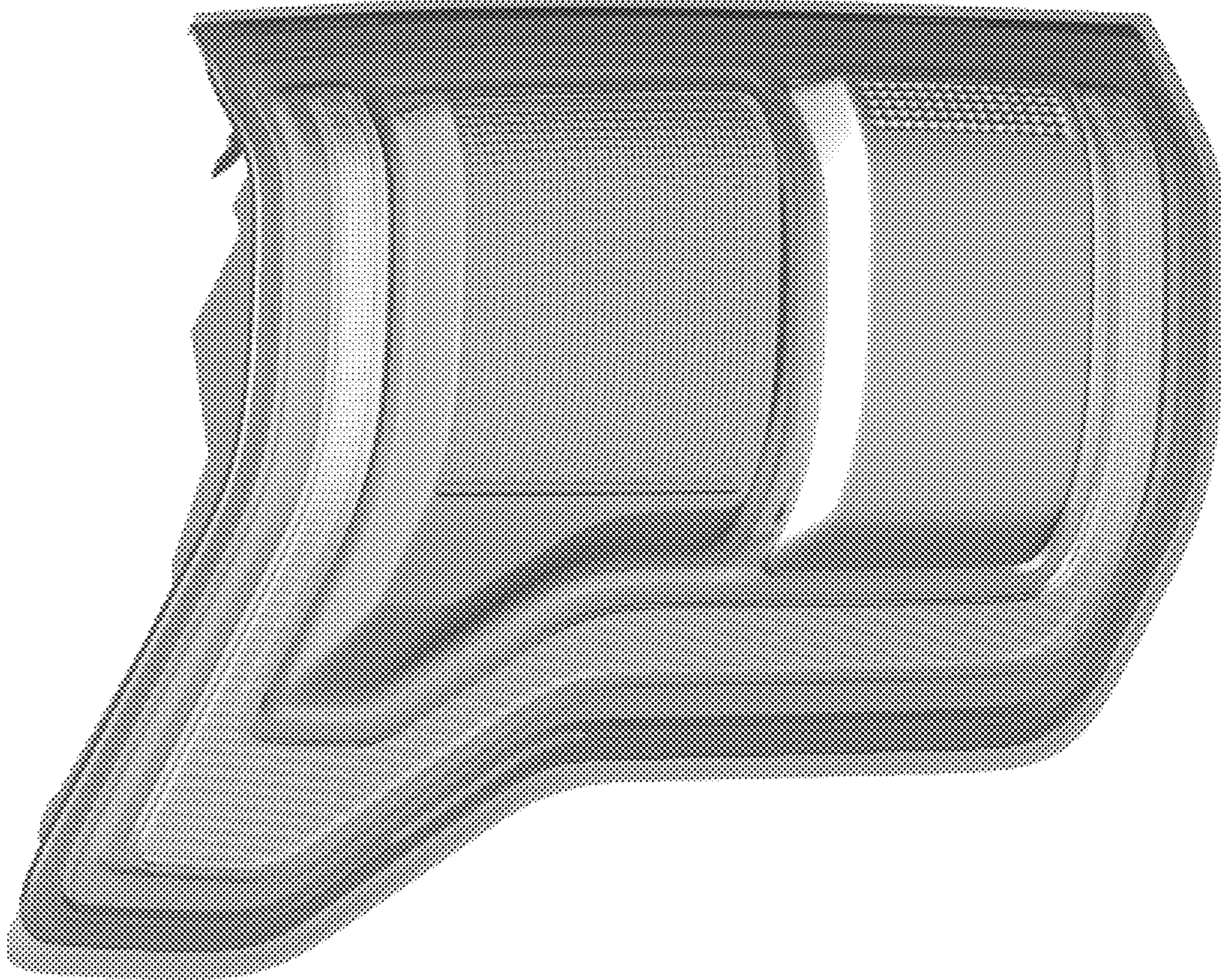


Figure 7

