



US00D750290S

(12) **United States Design Patent**
Potter

(10) **Patent No.:** **US D750,290 S**

(45) **Date of Patent:** **** Feb. 23, 2016**

- (54) **FUEL BURNER CONTAINER**
- (71) Applicant: **Stephen Potter**, San Francisco, CA (US)
- (72) Inventor: **Stephen Potter**, San Francisco, CA (US)
- (**) Term: **14 Years**
- (21) Appl. No.: **29/482,458**
- (22) Filed: **Feb. 18, 2014**
- (51) **LOC (10) Cl.** **26-02**
- (52) **U.S. Cl.**
USPC **D26/8**
- (58) **Field of Classification Search**
USPC D26/8-23, 114, 116, 117, 37; 431/321,
431/310, 344, 144, 322, 323, 324, 298, 146,
431/320, 343, 345, 125; 126/96, 45
CPC F23D 3/24; F23D 3/18; F23D 3/28;
F21L 17/00; F21V 37/00; F21V 37/0004;
F21S 13/10
See application file for complete search history.

- 5,807,093 A * 9/1998 Tendick, Sr. F21L 17/00
431/146
- 5,904,476 A * 5/1999 Hoffman F23D 3/26
431/144
- 5,938,430 A * 8/1999 Majerowski F21S 13/10
431/320

(Continued)

OTHER PUBLICATIONS

<http://www.tiki brand.com/Torch-Fuel-Lamp-Oil/TIKI-Ready2Light-Prefilled-Fuel-Canister/1212183> 2 pages, retrieved from internet Sep. 26, 2015.*

(Continued)

Primary Examiner — T. Chase Nelson
Assistant Examiner — Ania Aman
(74) *Attorney, Agent, or Firm* — Quickpatents, LLC; Kevin Prince

(57) **CLAIM**

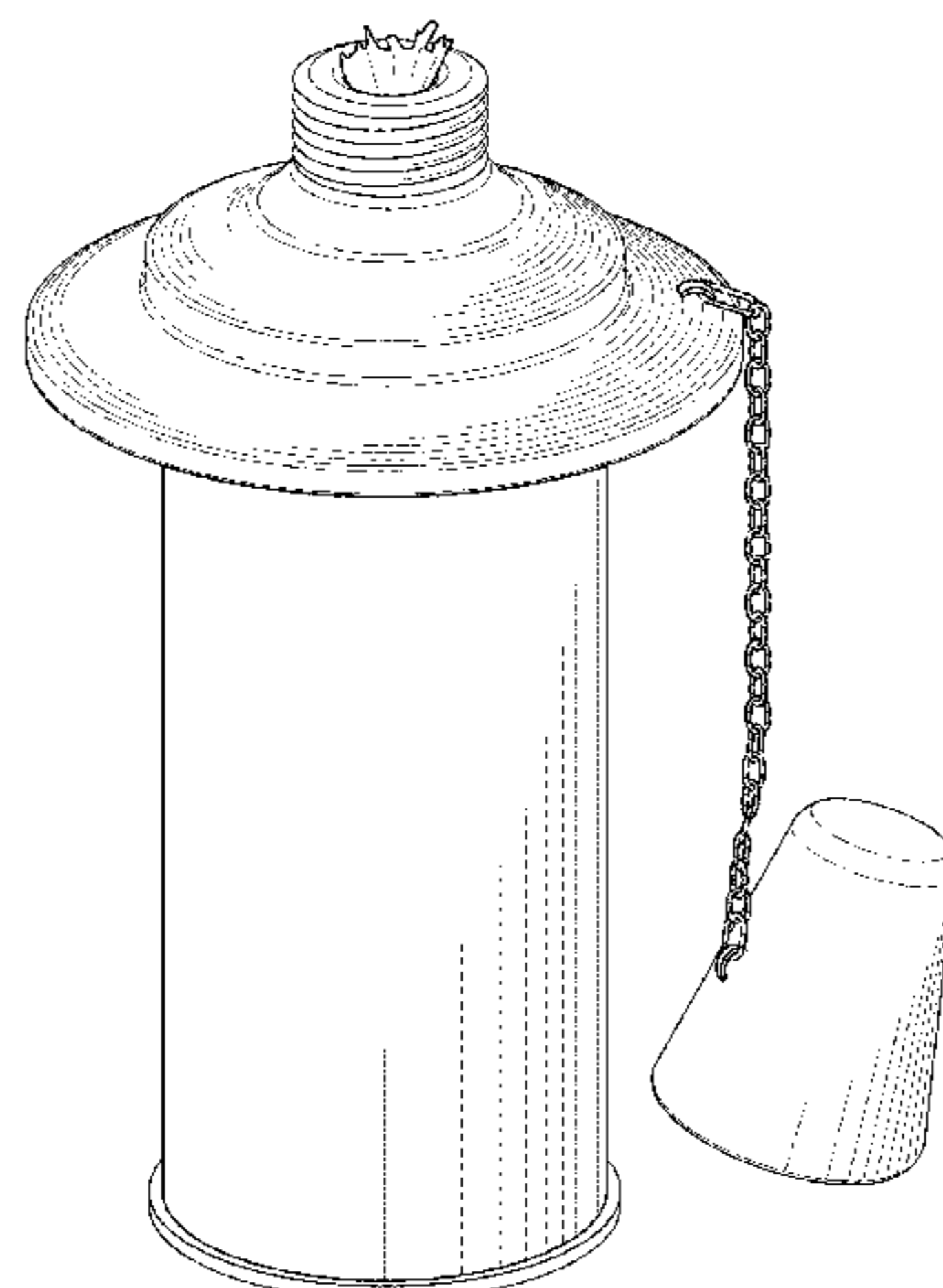
I claim the ornamental design for a fuel burner container, as shown and described.

DESCRIPTION

FIG. 1 is a perspective view of a fuel burner container, showing my new design with a cap removed from a burner; FIG. 2 is a perspective view thereof, illustrated with the cap covering the burner; FIG. 3 is a front elevational view of FIG. 2; FIG. 4 is a rear elevational view of FIG. 2; FIG. 5 is a right-side elevational view of FIG. 2; FIG. 6 is a top plan view of FIG. 2; FIG. 7 is a bottom plan view of FIG. 2; FIG. 8 is an exploded top perspective view of FIG. 1; FIG. 9 is an exploded bottom perspective view thereof, illustrated with the cap in an extended position for clarity of illustration; and, FIG. 10 is a cross-sectional view of FIG. 8, taken along line 10-10. In the drawings, the broken lines shown in FIGS. 8 and 10 indicate the boundaries of the enlarged portions of the design.

1 Claim, 7 Drawing Sheets

- (56) **References Cited**
U.S. PATENT DOCUMENTS
- 167,171 A * 8/1875 Hayes F23D 14/28
431/343
- 243,134 A * 6/1881 Hinrichs et al. F23Q 2/02
431/321
- 2,692,492 A * 10/1954 Hepburn F23Q 2/42
431/130
- D190,134 S * 4/1961 Barber et al. D26/10
- 3,516,774 A * 6/1970 Livingstone F23Q 2/00
431/323
- 3,811,817 A * 5/1974 Mansnerus F23Q 2/44
431/126
- 3,902,517 A * 9/1975 Hastwell F04F 1/06
137/209
- 4,039,274 A * 8/1977 Nordlinger F23Q 2/285
431/128
- 5,057,003 A * 10/1991 Yang F21S 13/00
362/161
- 5,205,730 A * 4/1993 Capdeville F21L 17/00
126/47
- D389,257 S * 1/1998 Eca, Sr. D26/37



(56)

References Cited

U.S. PATENT DOCUMENTS

D428,666 S * 7/2000 Chandaria D26/114
 D435,123 S * 12/2000 Lu D26/8
 6,193,769 B1 * 2/2001 Dakin C10L 1/02
 431/320
 6,217,316 B1 * 4/2001 Yeh F16M 13/02
 362/396
 D443,369 S * 6/2001 Hsu D26/11
 6,345,978 B1 * 2/2002 Lu F21L 17/00
 431/152
 D456,917 S * 5/2002 Kumar D26/114
 D464,156 S * 10/2002 Yeh D26/8
 D464,447 S * 10/2002 Yeh D26/8
 D487,522 S * 3/2004 Lu D26/8
 D487,808 S * 3/2004 Lu D26/8
 7,156,653 B1 * 1/2007 DeMars F23D 3/32
 431/321
 D548,371 S * 8/2007 Kleist D26/8
 7,303,390 B2 * 12/2007 Heng-Wei F23D 3/26
 431/146
 D676,160 S * 2/2013 Stephens D26/8
 8,550,813 B2 * 10/2013 Masterson F23D 3/18
 431/312
 8,955,808 B2 * 2/2015 Buschbach F16M 13/02
 248/175
 D733,199 S * 6/2015 Kimmel D15/144
 2001/0053504 A1 * 12/2001 Lu F21L 17/00
 431/152
 2002/0164554 A1 * 11/2002 Kisch F23D 3/02
 431/298

2003/0027092 A1 * 2/2003 Wolgamuth F23D 3/24
 431/345
 2006/0199129 A1 * 9/2006 Konkle, Jr. F23D 14/28
 431/344
 2009/0208890 A1 * 8/2009 Chang F23D 3/16
 431/291
 2009/0220904 A1 * 9/2009 Masterson F23D 3/18
 431/321
 2010/0104995 A1 * 4/2010 Masterson F23D 3/18
 431/321
 2010/0112504 A1 * 5/2010 Reed F21V 37/0004
 431/320
 2010/0255436 A1 * 10/2010 Lu F21V 25/00
 431/350
 2013/0129571 A1 * 5/2013 Chiu F23D 3/18
 422/126
 2013/0288186 A1 * 10/2013 White F23D 3/26
 431/2
 2013/0288189 A1 * 10/2013 White F23D 3/04
 431/310
 2013/0323659 A1 * 12/2013 White F23D 3/18
 431/321

OTHER PUBLICATIONS

http://www.amazon.com/Lamplight-Gree-Color-Flame-R2I/dp/B00GJJ737Y/ref=pd_sim_86_4?ie=UTF8&refRID=0076RJZH4MYXHS7R0JZ1&dpID=31o5DImZrVL&dpSrc=sims&preST=_AC_UL160_SR160%2C160_4 pages stating that this was first available on amazon on Nov. 8, 2013.*

* cited by examiner

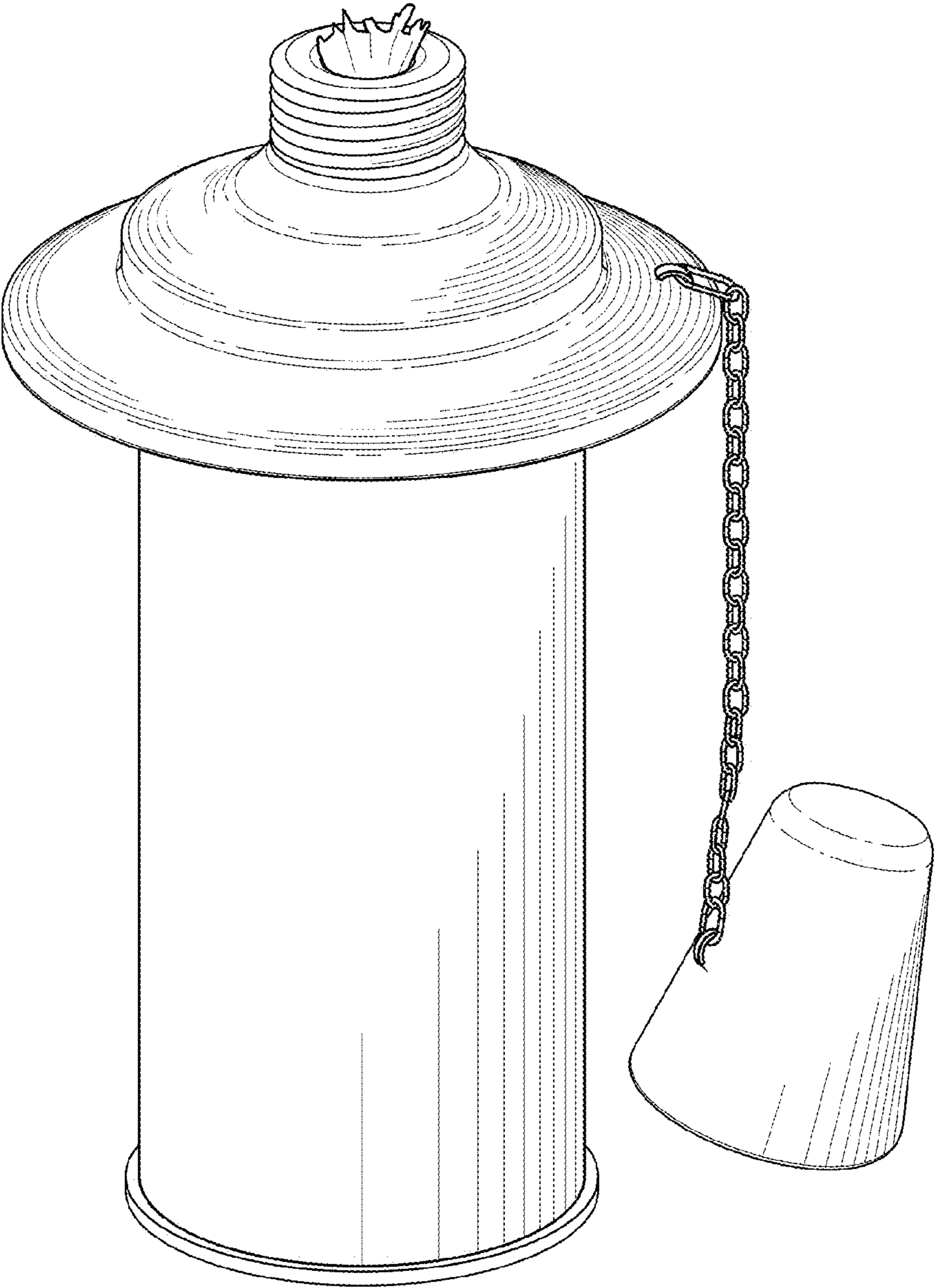


FIG. 1

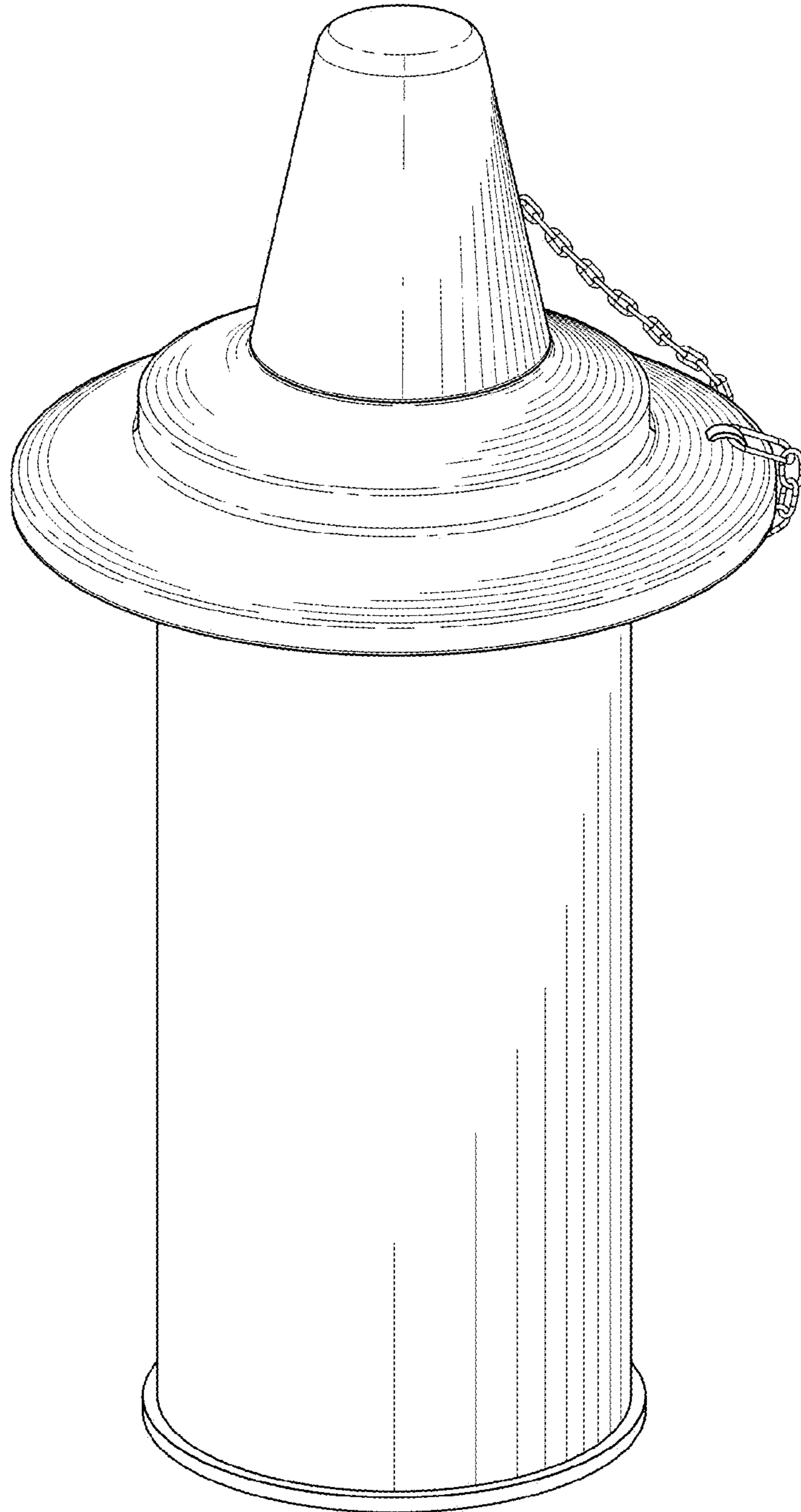


FIG. 2

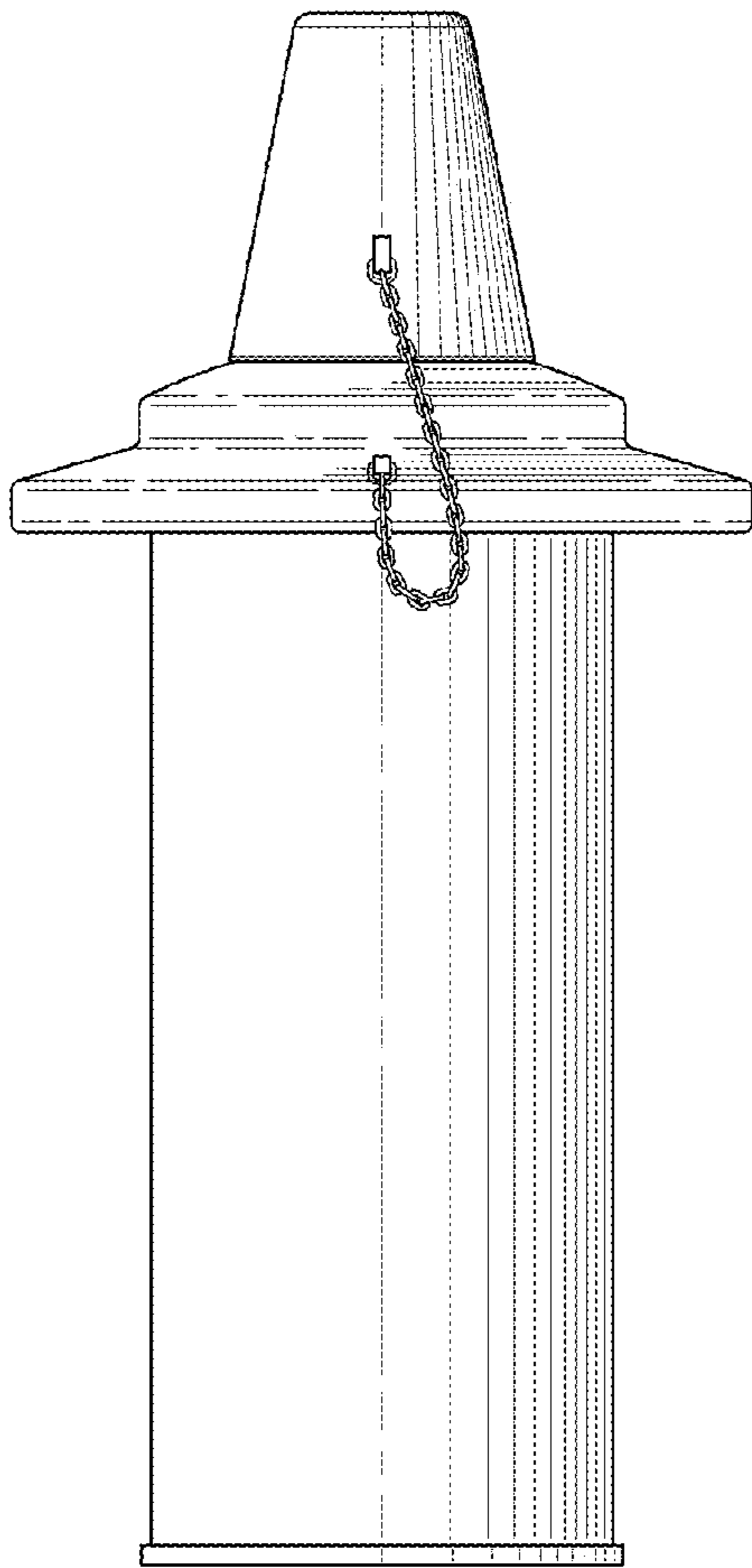


FIG. 3

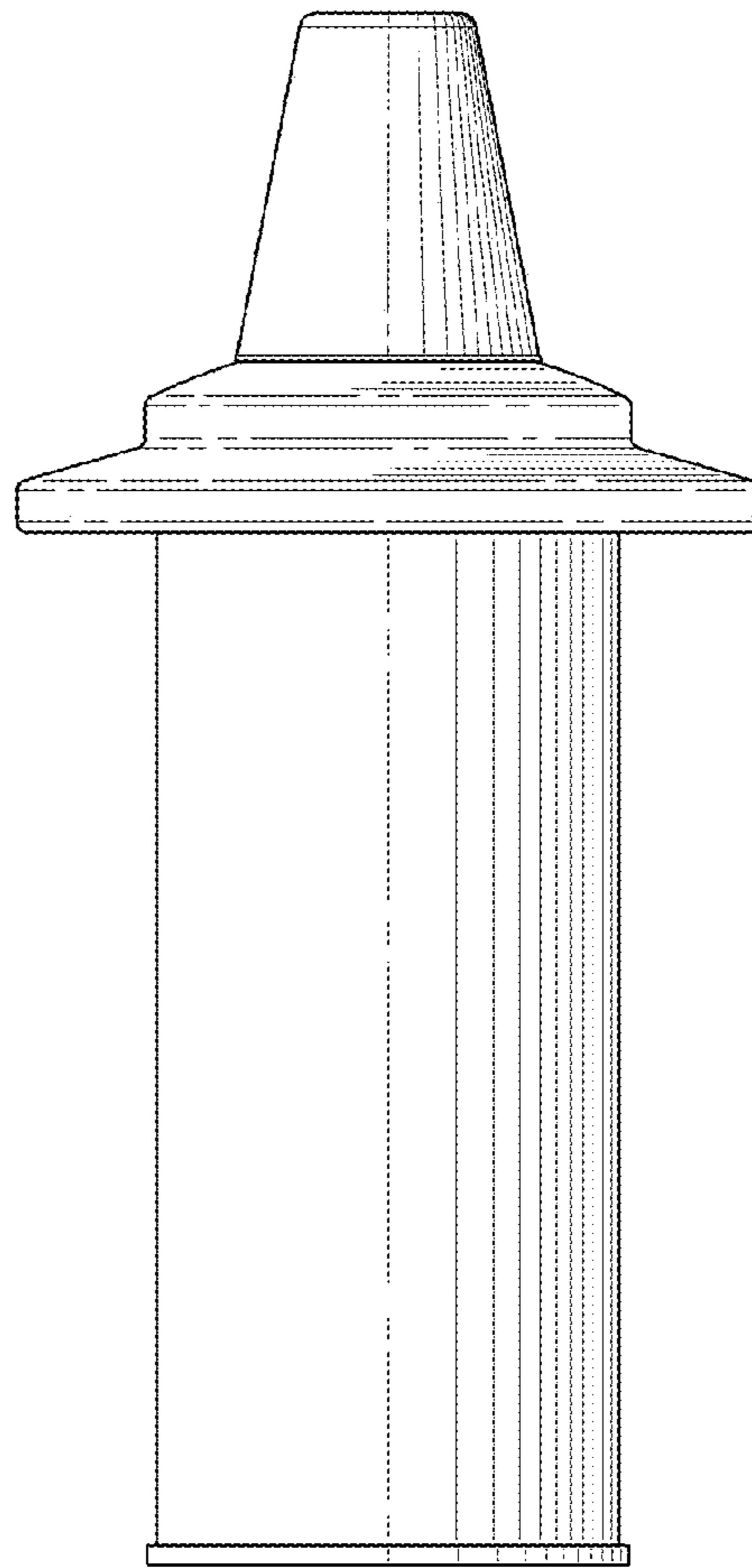


FIG. 4

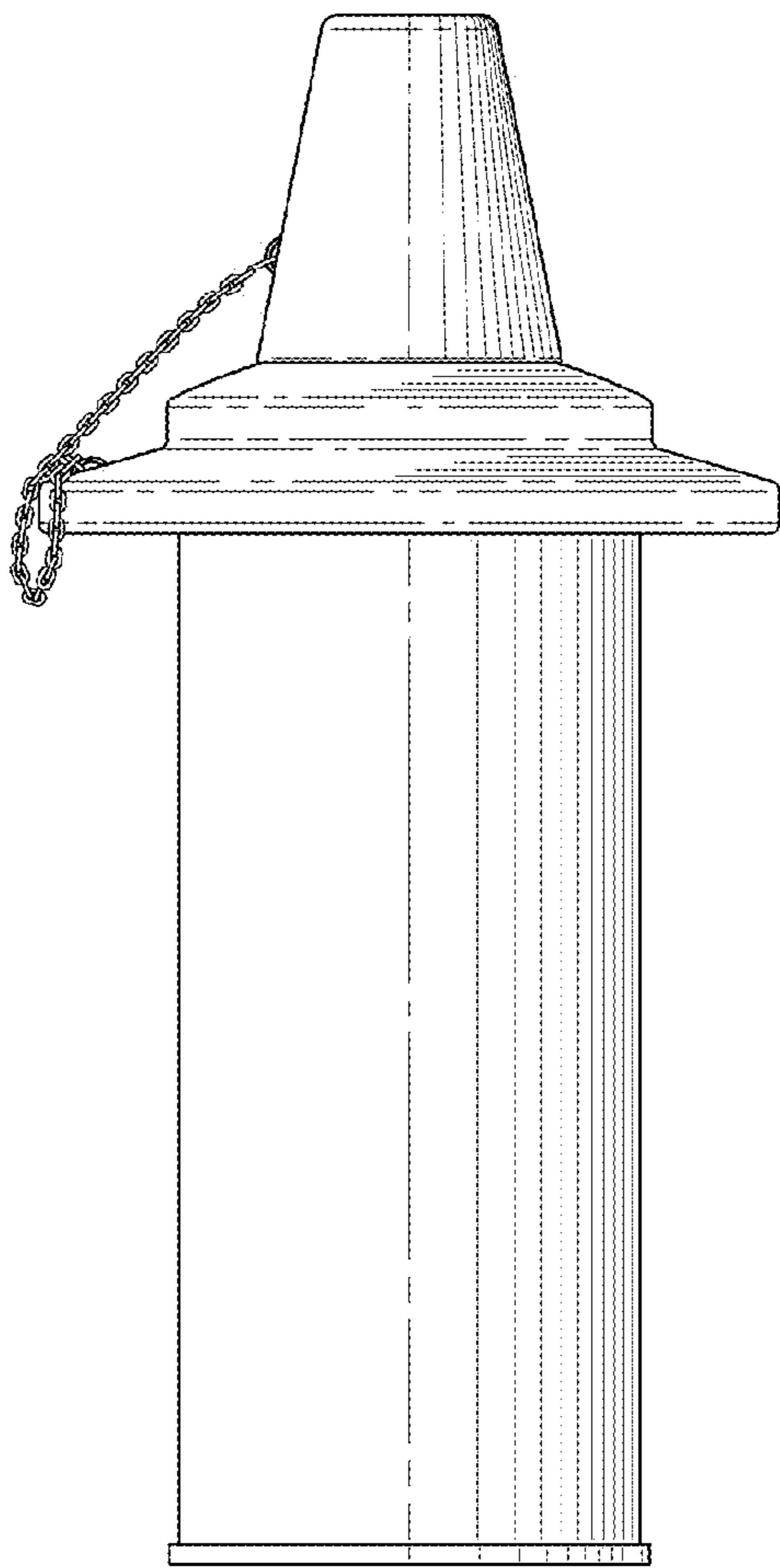


FIG. 5

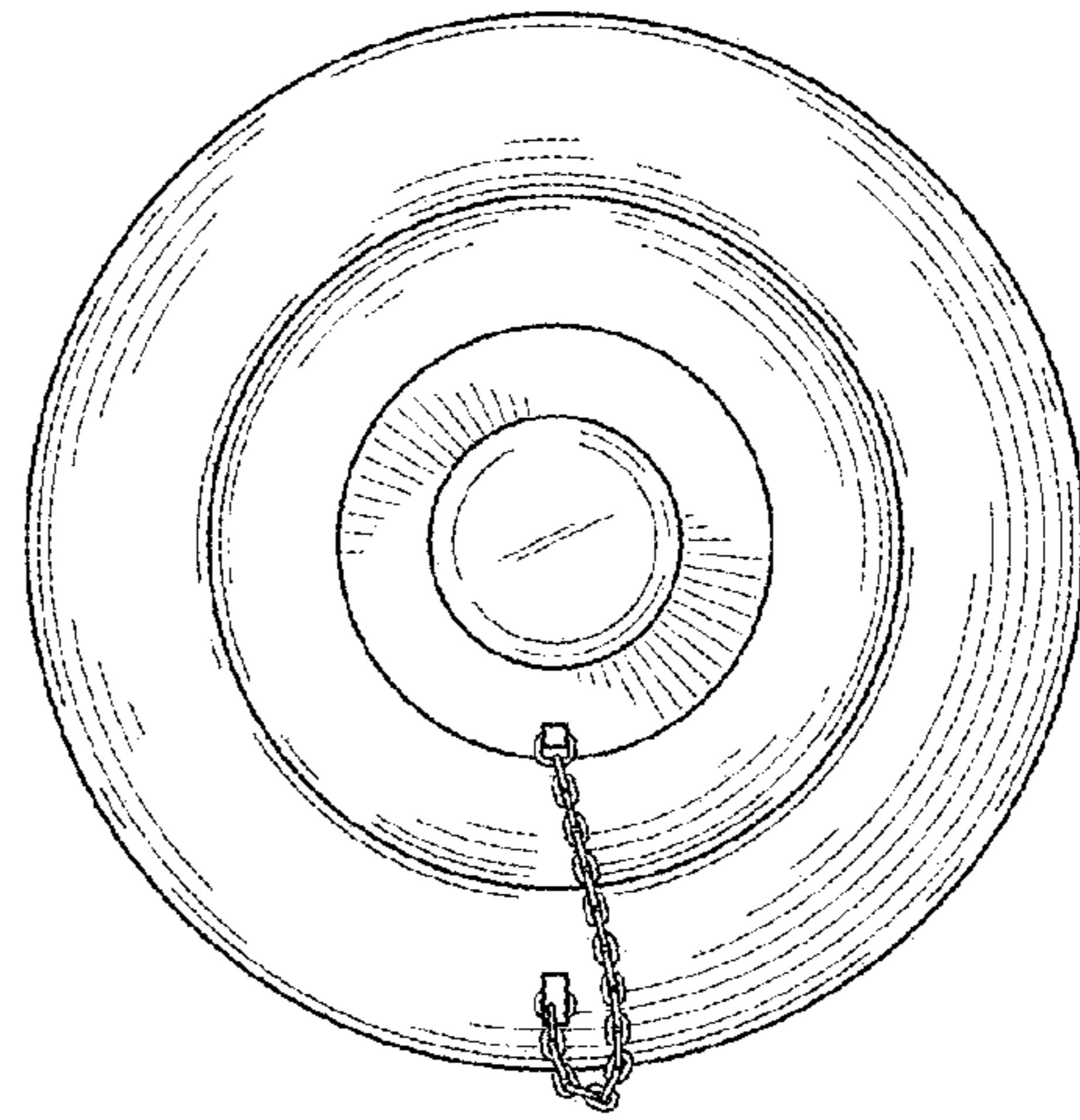


FIG. 6

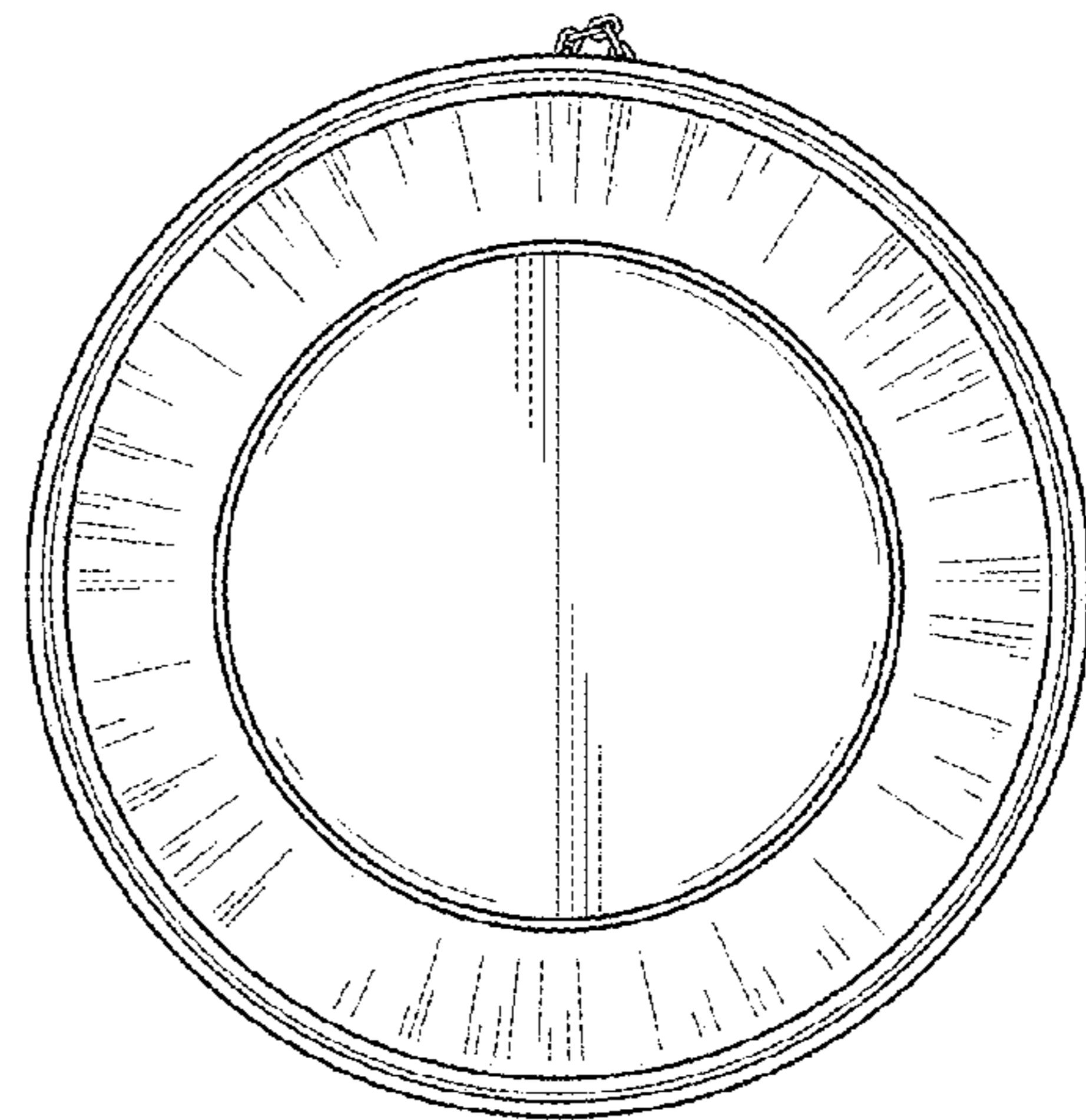


FIG. 7

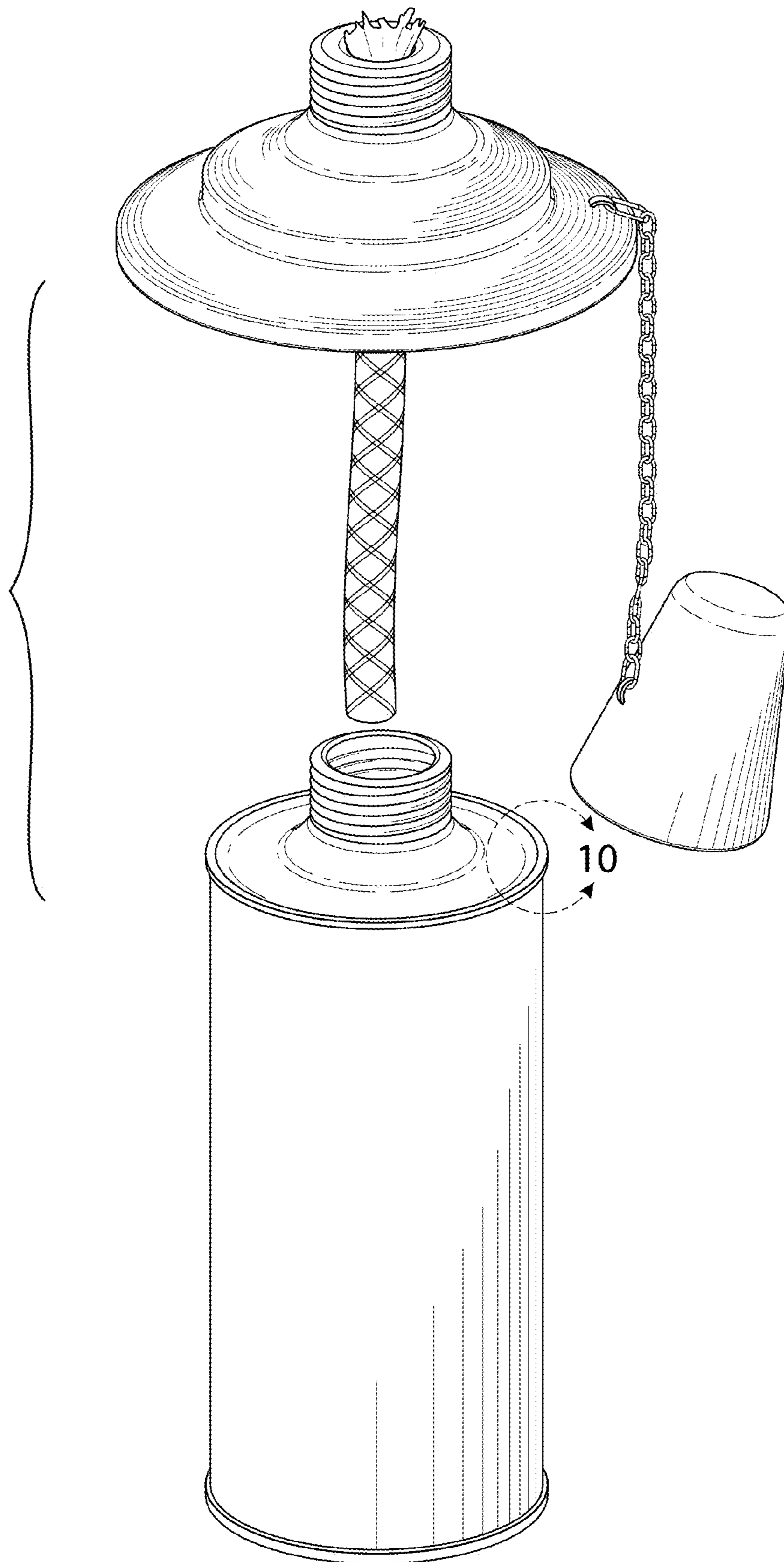


FIG. 8

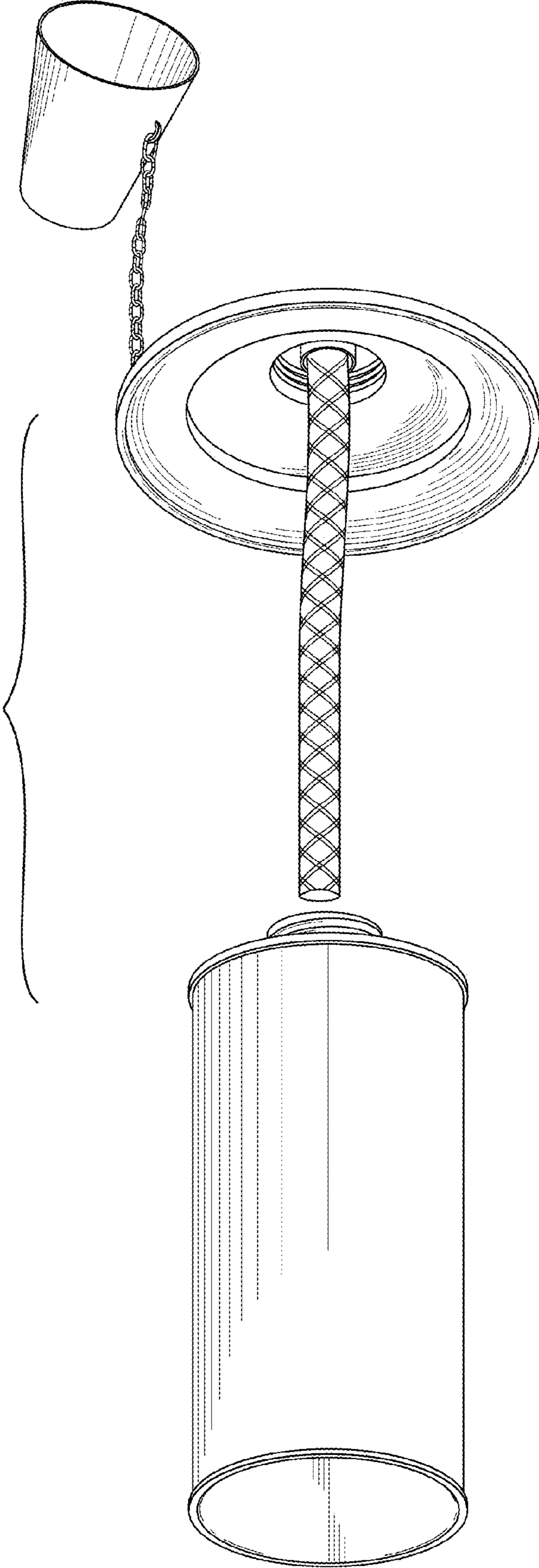


FIG. 9

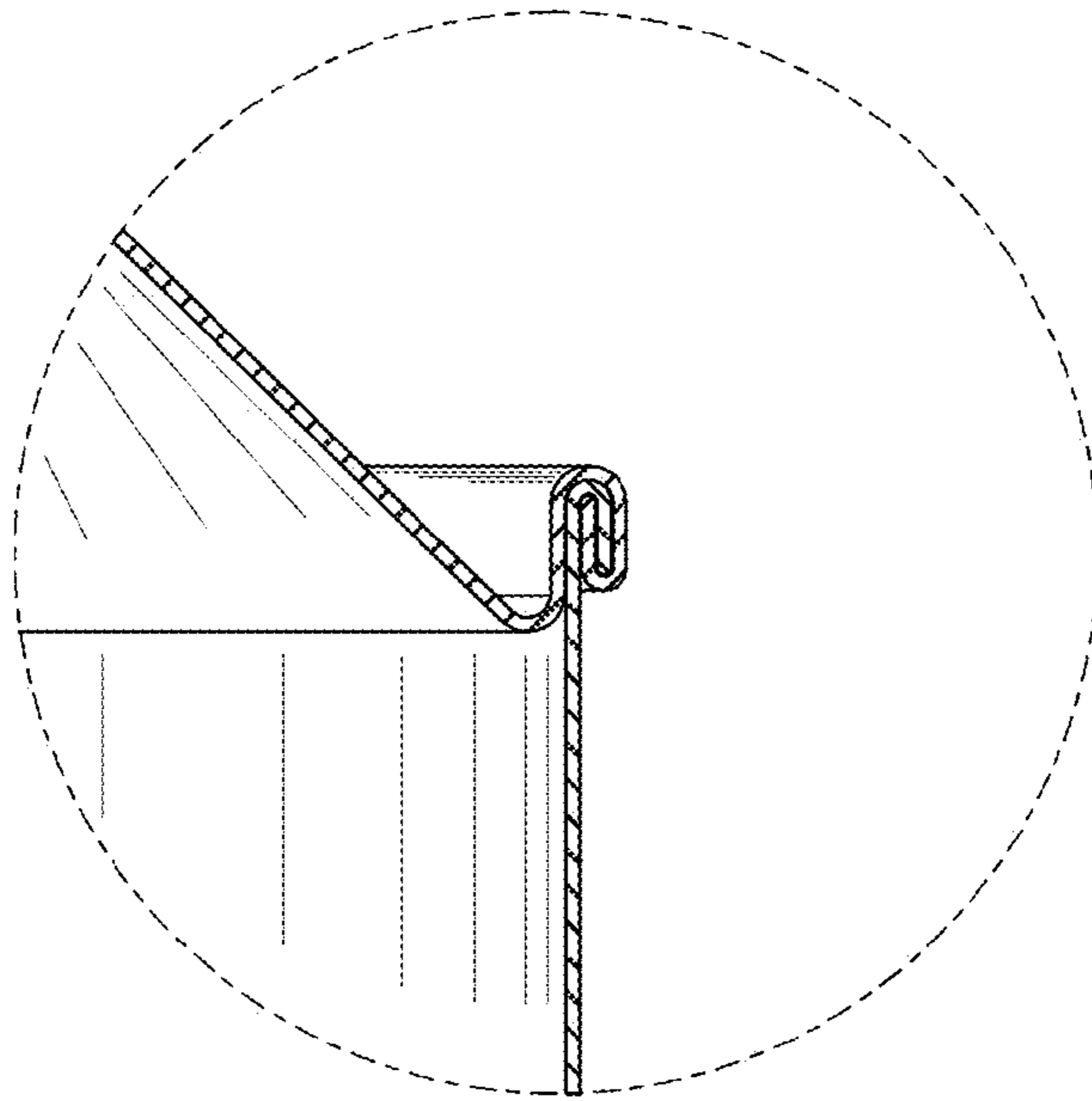


FIG. 10