

US00D750286S

(12) **United States Design Patent**
Cai et al.

(10) **Patent No.:** **US D750,286 S**
(45) **Date of Patent:** **** Feb. 23, 2016**

(54) **LIGHT BULB**

(56) **References Cited**

(71) Applicant: **NINGBO YUSING OPTOELECTRONIC TECHNOLOGY CO., LTD.**, Ningbo Zhejiang (CN)

(72) Inventors: **Xiaoyu Cai**, Ningbo (CN); **Liang Zhang**, Ningbo (CN)

(73) Assignee: **NINGBO YUSING OPTOELECTRONIC TECHNOLOGY CO., LTD.**, Ningbo (CN)

(**) Term: **14 Years**

(21) Appl. No.: **29/519,793**

(22) Filed: **Mar. 9, 2015**

(30) **Foreign Application Priority Data**

Oct. 24, 2014 (CN) 2014 3 0406605

(51) **LOC (10) Cl.** **26-04**

(52) **U.S. Cl.**
USPC **D26/2**

(58) **Field of Classification Search**
USPC D26/1-4, 113, 118; 313/313, 315, 316, 313/317, 318, 493; 315/32, 46, 52, 53, 56, 315/57, 58; D13/179; 1/1
CPC F21K 9/135; F21K 9/1375; F21K 9/13
See application file for complete search history.

U.S. PATENT DOCUMENTS

D614,319	S	*	4/2010	Murakami	D26/2
D635,281	S	*	3/2011	Murakami	D26/2
D644,760	S	*	9/2011	Murakami	D26/2
D644,762	S	*	9/2011	Murakami	D26/2
D659,861	S	*	5/2012	Yoshinobu	D26/2
D660,467	S	*	5/2012	Yamamoto	D26/2
D714,973	S	*	10/2014	Ye	D26/2
D742,556	S	*	11/2015	Hwang	D26/2
D743,586	S	*	11/2015	Bosua	D26/2

* cited by examiner

Primary Examiner — Ian Simmons

Assistant Examiner — Harold Blackwell, II

(57) **CLAIM**

The ornamental design for a light bulb, as shown and described.

DESCRIPTION

FIG. 1 is a front elevational view of a light bulb showing our new design;

FIG. 2 is a rear elevational view thereof;

FIG. 3 is a left side view thereof;

FIG. 4 is a right side view thereof;

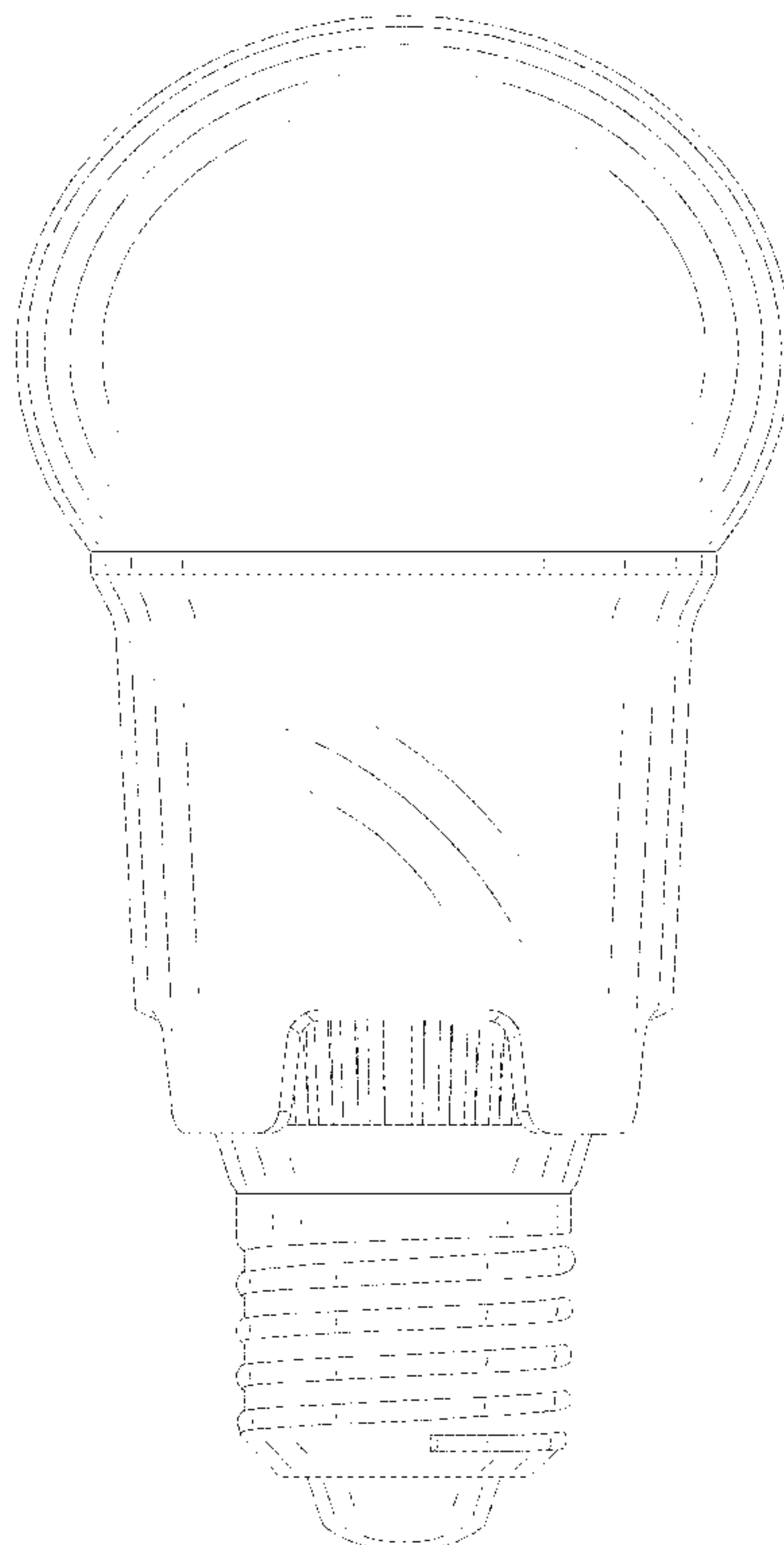
FIG. 5 is a top plan view thereof;

FIG. 6 is a bottom plan view thereof;

FIG. 7 is a first perspective view thereof; and,

FIG. 8 is a second perspective view thereof.

1 Claim, 8 Drawing Sheets



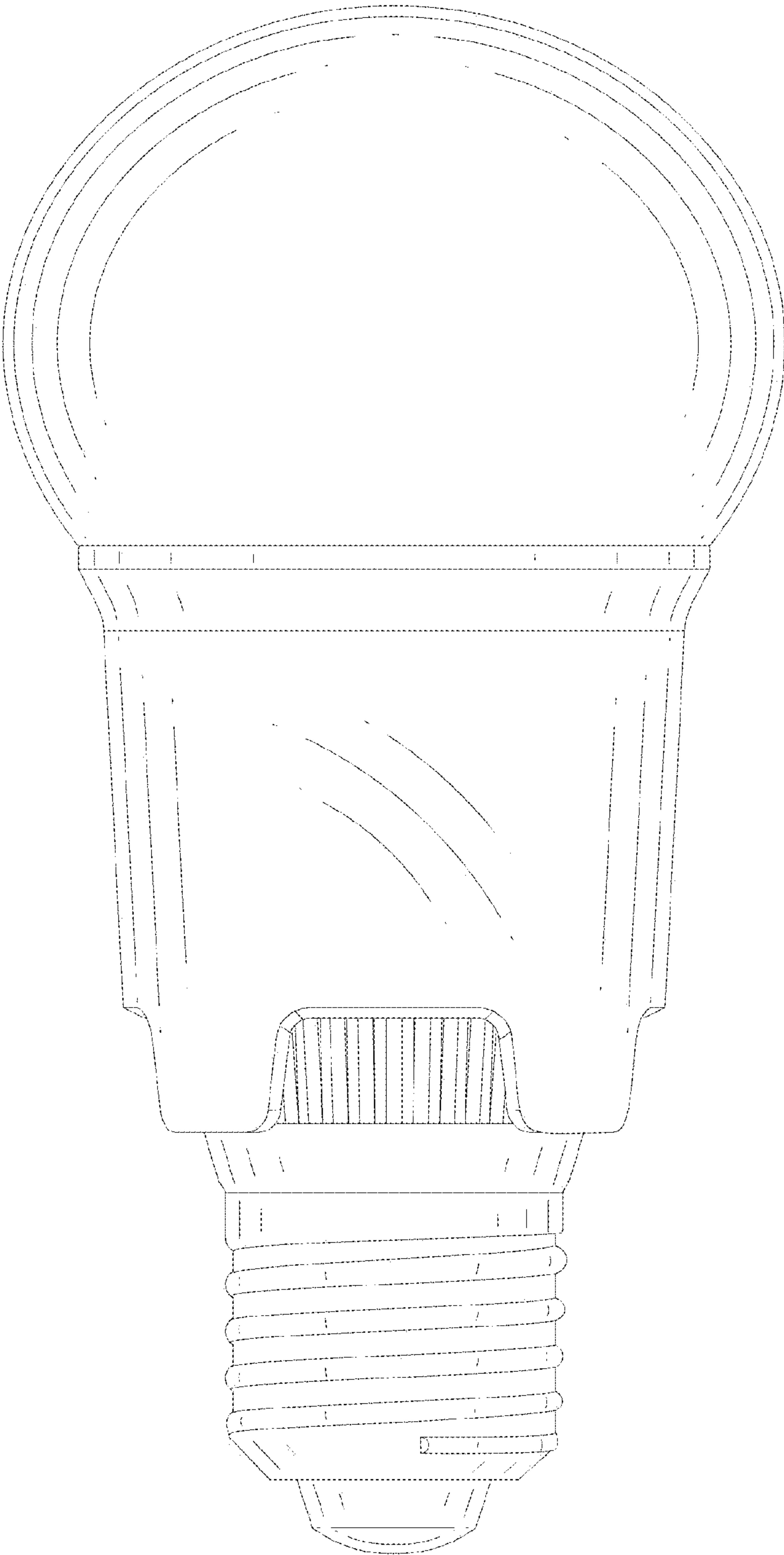


FIG.1

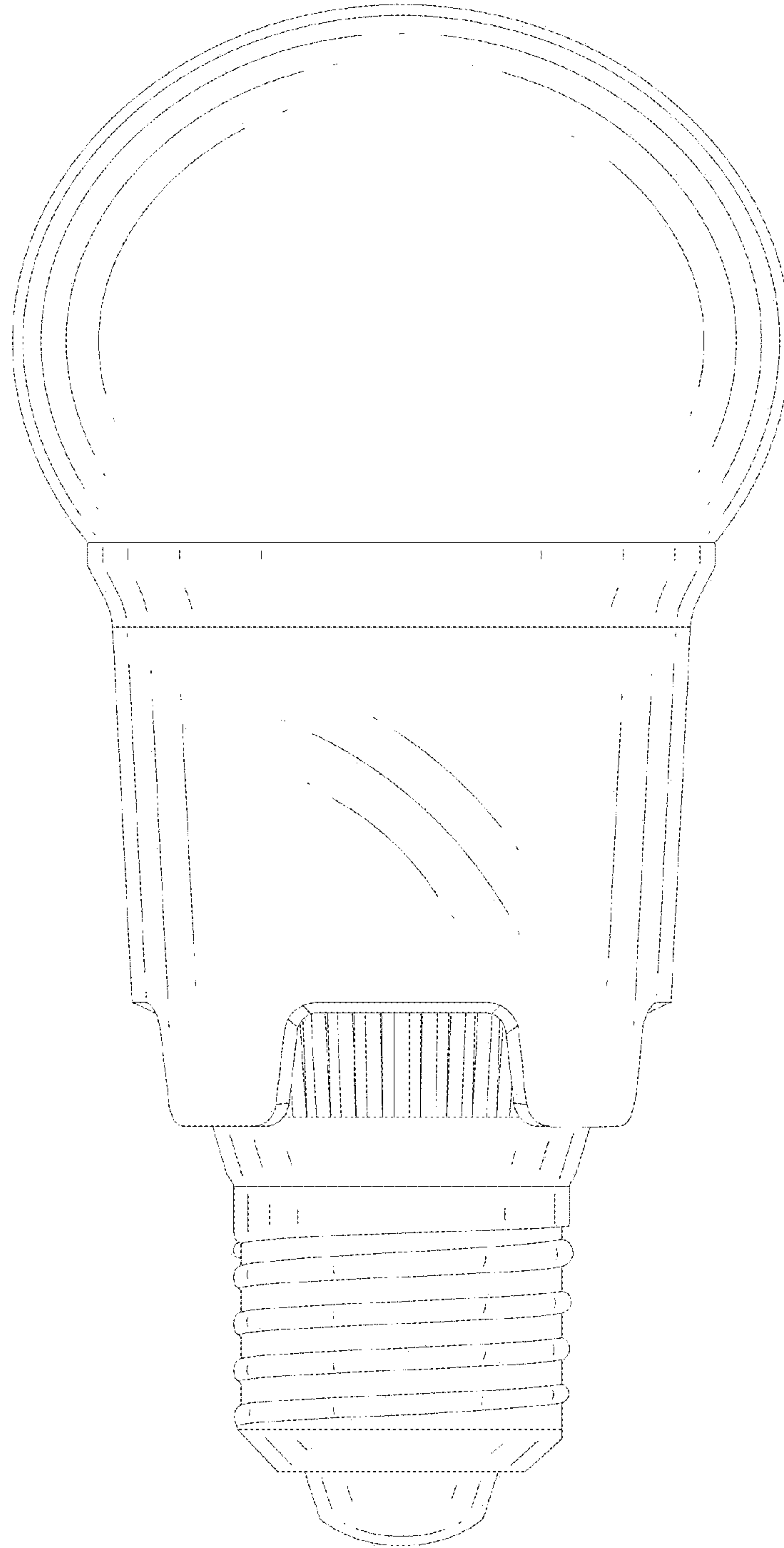


FIG.2

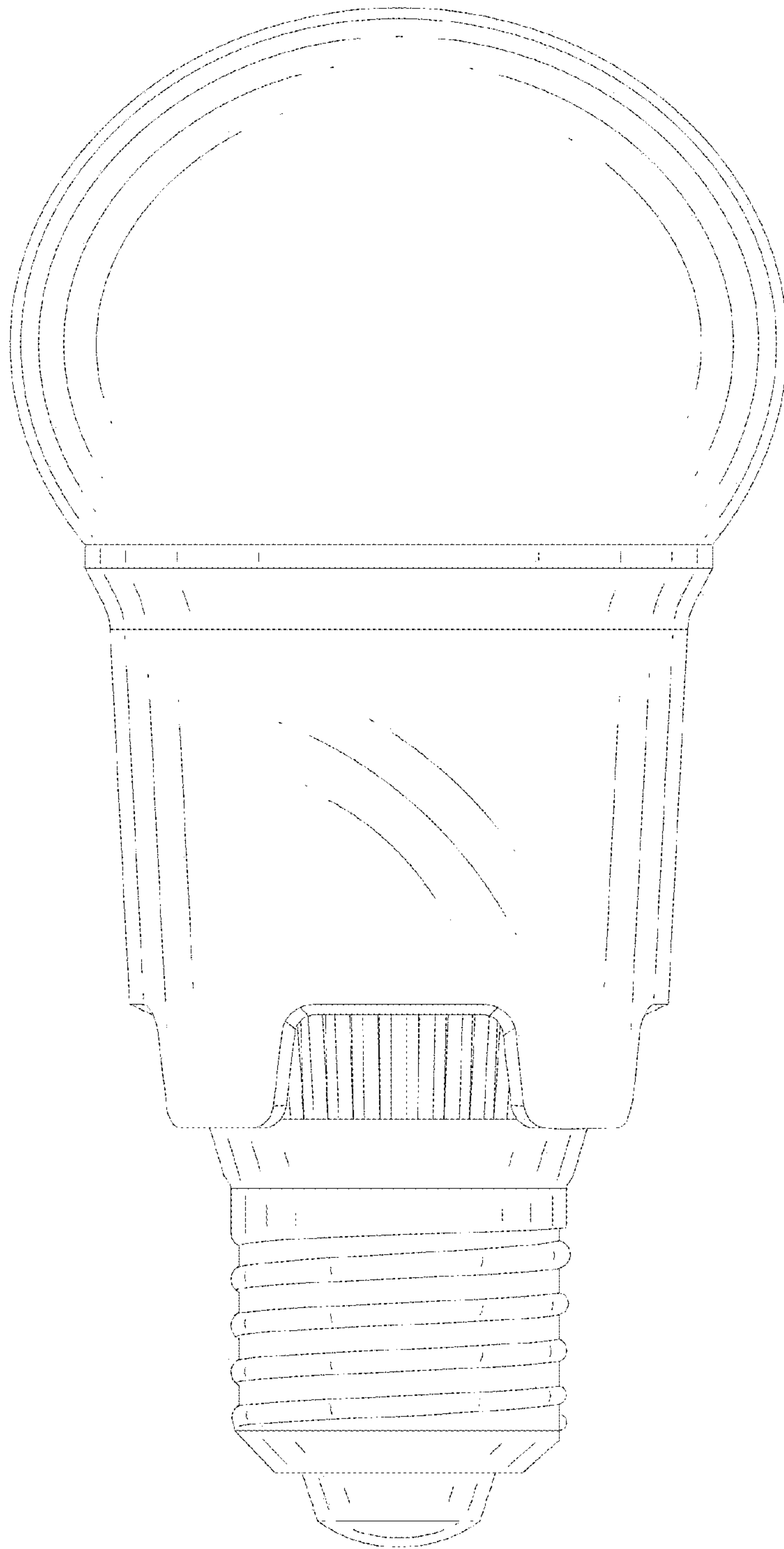


FIG.3

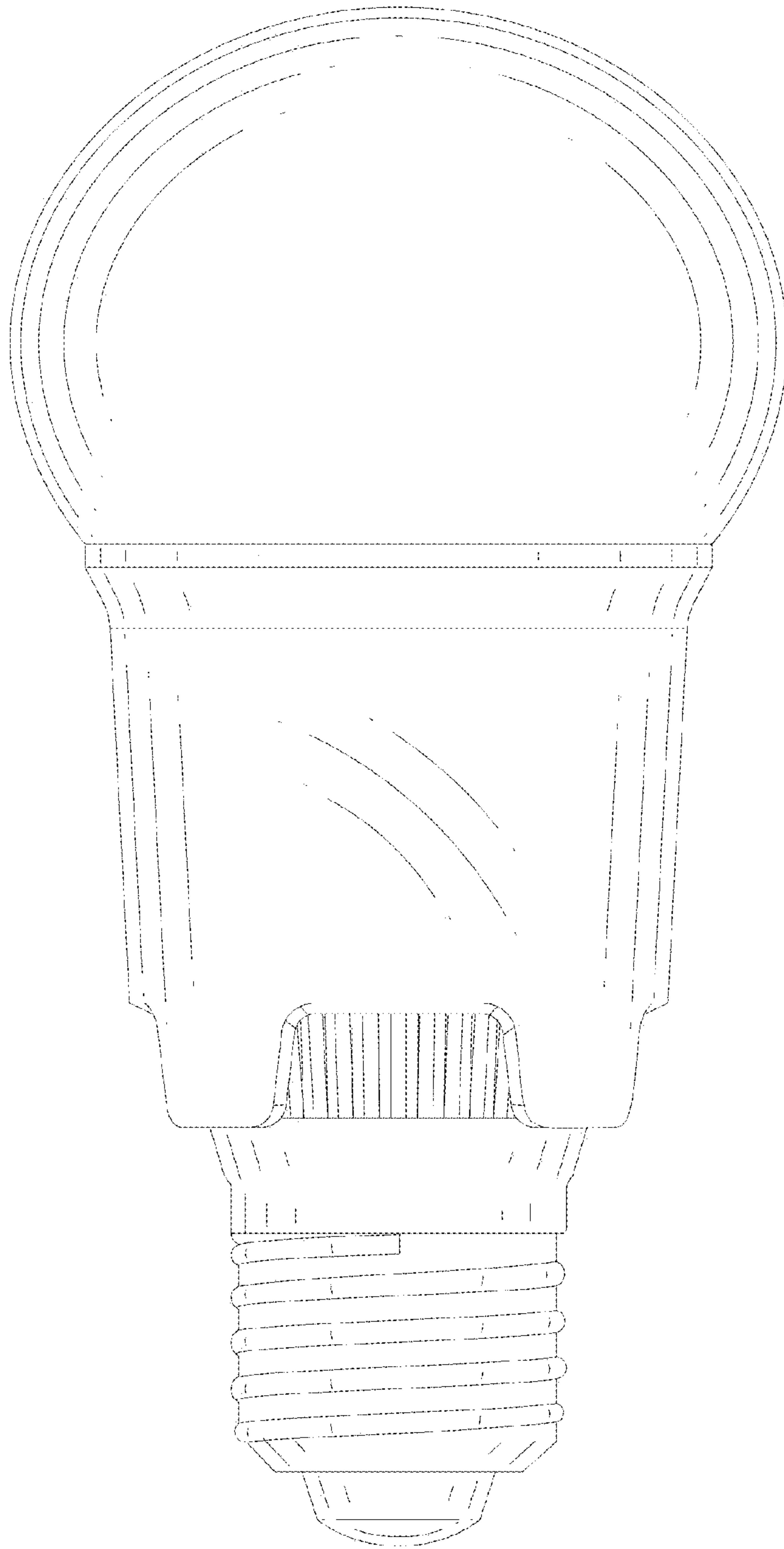


FIG.4

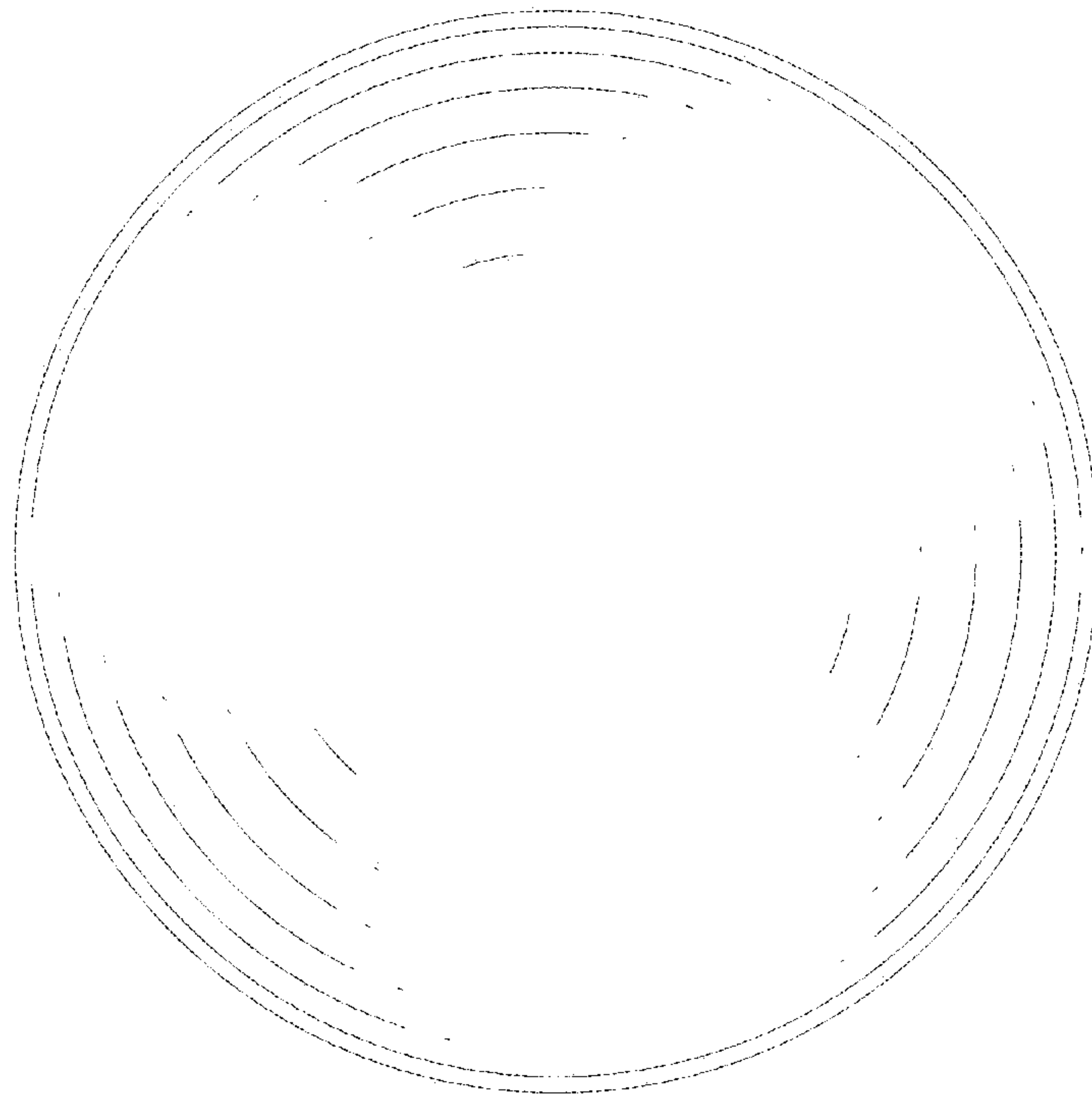


FIG.5

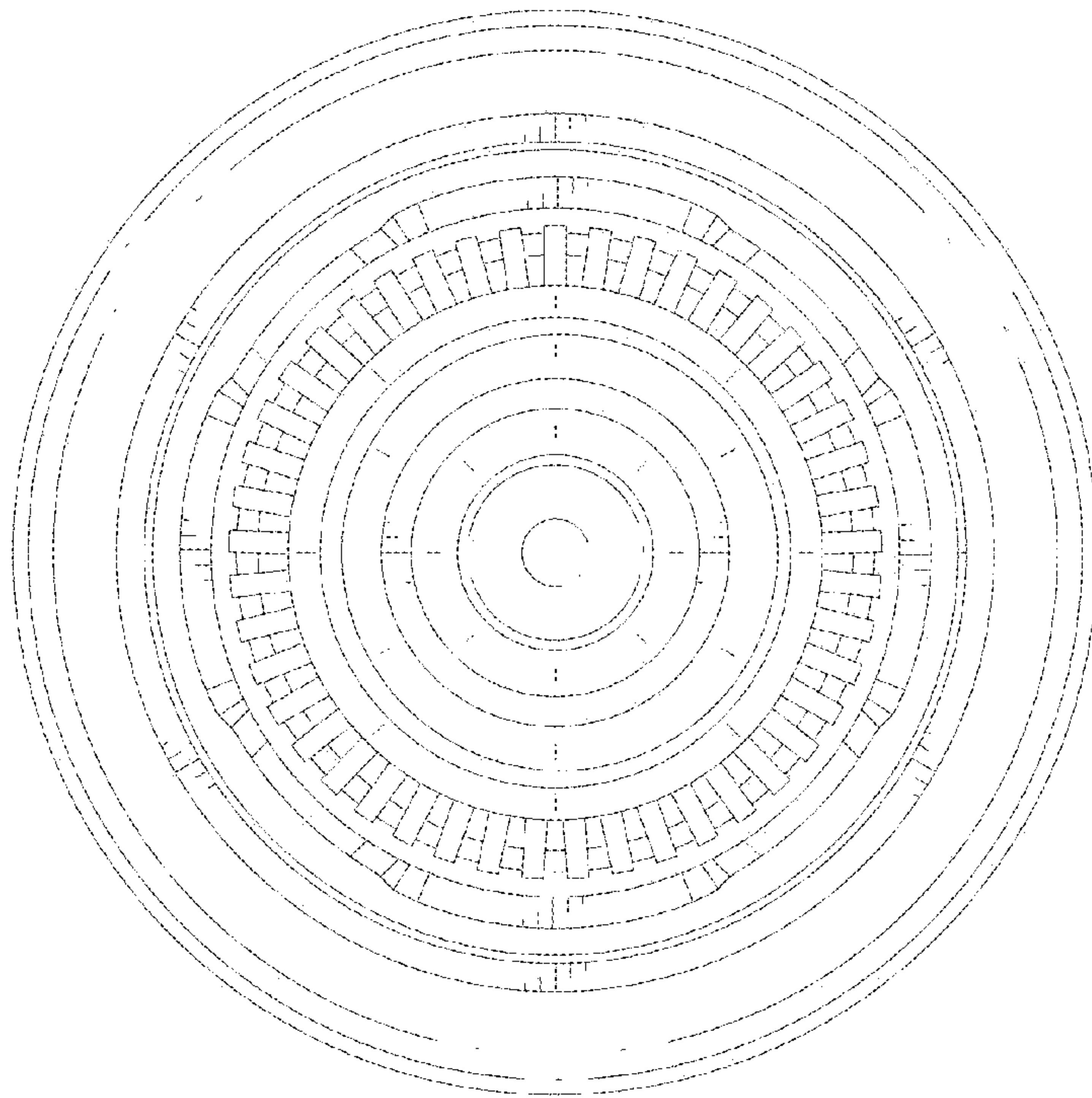


FIG. 6

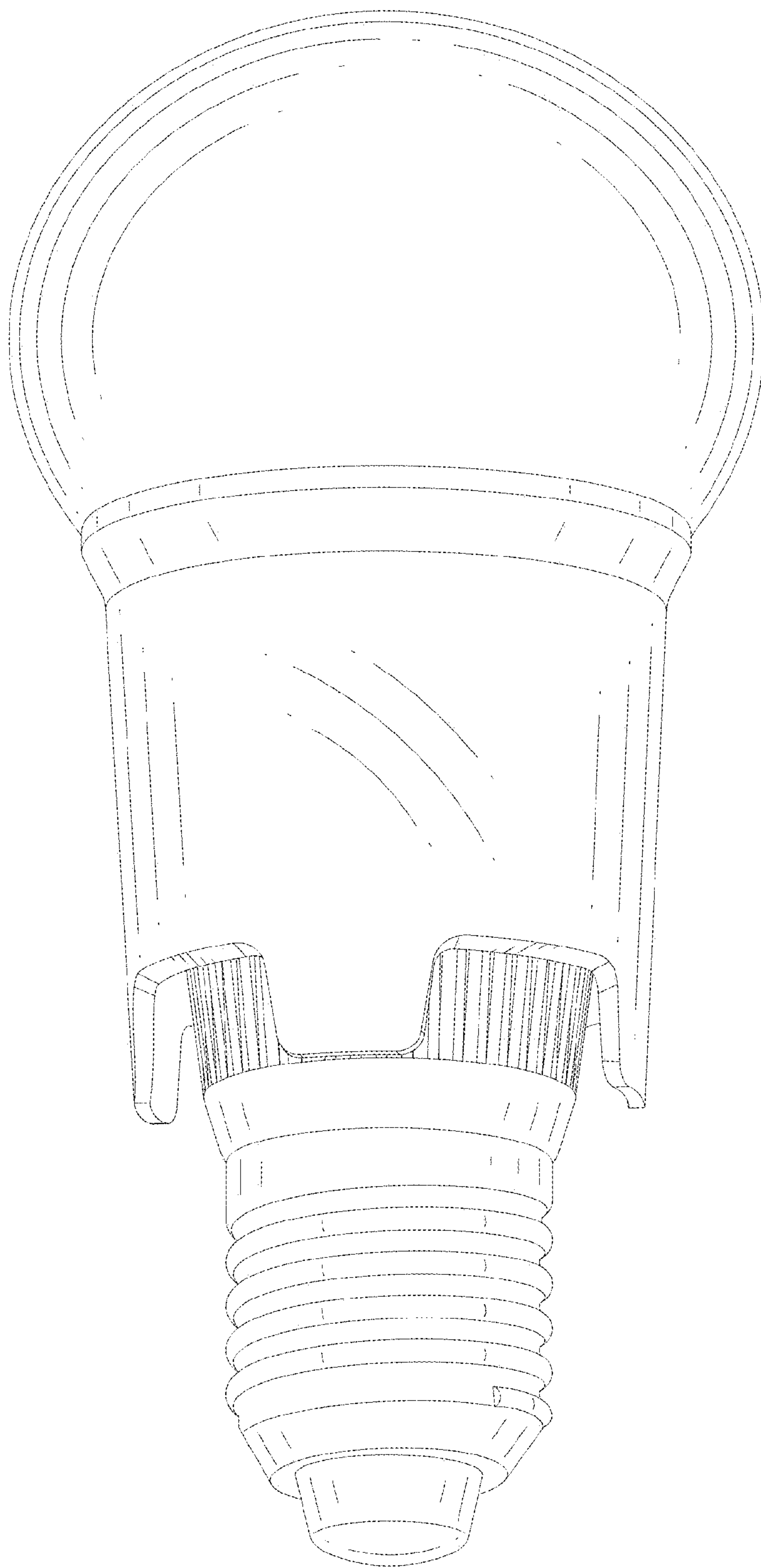


FIG.7

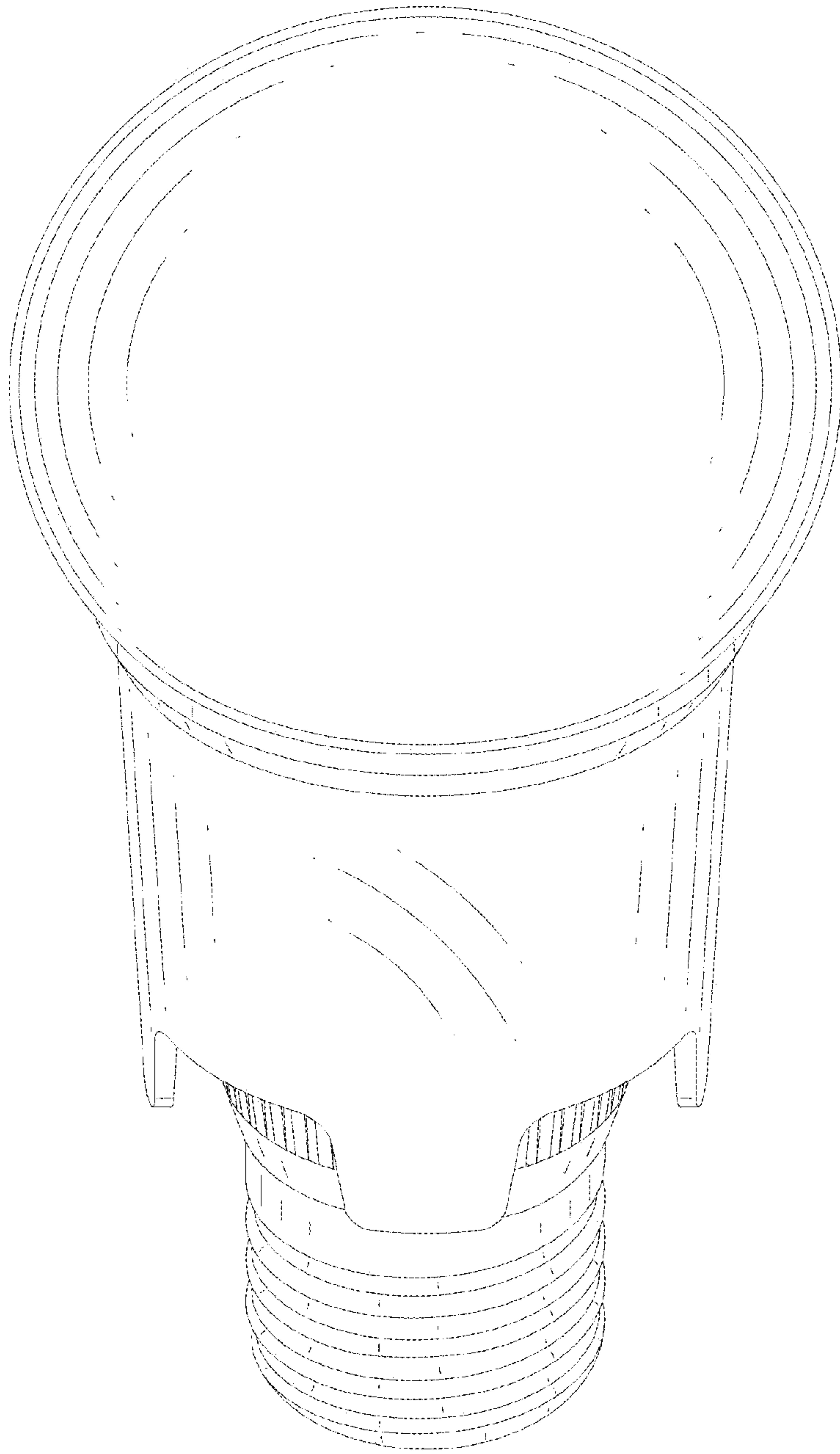


FIG.8