



US00D750285S

(12) **United States Design Patent**  
**Dudik et al.**

(10) **Patent No.:** **US D750,285 S**

(45) **Date of Patent:** **\*\* Feb. 23, 2016**

(54) **LED LAMP**

(71) Applicant: **GE LIGHTING SOLUTIONS, LLC**,  
East Cleveland, OH (US)

(72) Inventors: **David C. Dudik**, Shaker Heights, OH (US); **Charles Leigh Huddleston**, Cleveland, OH (US); **Benjamin Lee Yoder**, Cleveland Heights, OH (US); **Anthony Michael Rotella**, Cleveland, OH (US); **William Stewart Johnson**, Cleveland, OH (US)

(73) Assignee: **GE LIGHTING SOLUTIONS, LLC**,  
East Cleveland, OH (US)

(\*\*) Term: **14 Years**

(21) Appl. No.: **29/510,862**

(22) Filed: **Dec. 3, 2014**

(51) **LOC (10) Cl.** ..... **26-04**

(52) **U.S. Cl.**  
USPC ..... **D26/2**

(58) **Field of Classification Search**  
USPC ..... D26/1-4; 313/313, 315, 316, 317, 318,  
313/493; 315/52, 53, 56, 57, 58  
CPC ..... H01J 5/48; H01J 5/50; H01J 19/54;  
F21V 5/00  
See application file for complete search history.

(56) **References Cited**

**U.S. PATENT DOCUMENTS**

D535,038 S \* 1/2007 Egawa ..... D26/2  
D582,578 S \* 12/2008 Tsai ..... D26/2

D584,838 S \* 1/2009 To ..... D26/2  
D594,995 S \* 6/2009 Komar ..... D26/2  
D601,722 S \* 10/2009 Foo ..... D26/2  
D631,989 S \* 2/2011 Bobel ..... D26/2  
D657,075 S \* 4/2012 Guohui ..... D26/2

\* cited by examiner

*Primary Examiner* — Marcus Jackson

(74) *Attorney, Agent, or Firm* — GE Global Patent Operation; Peter T. DiMauro

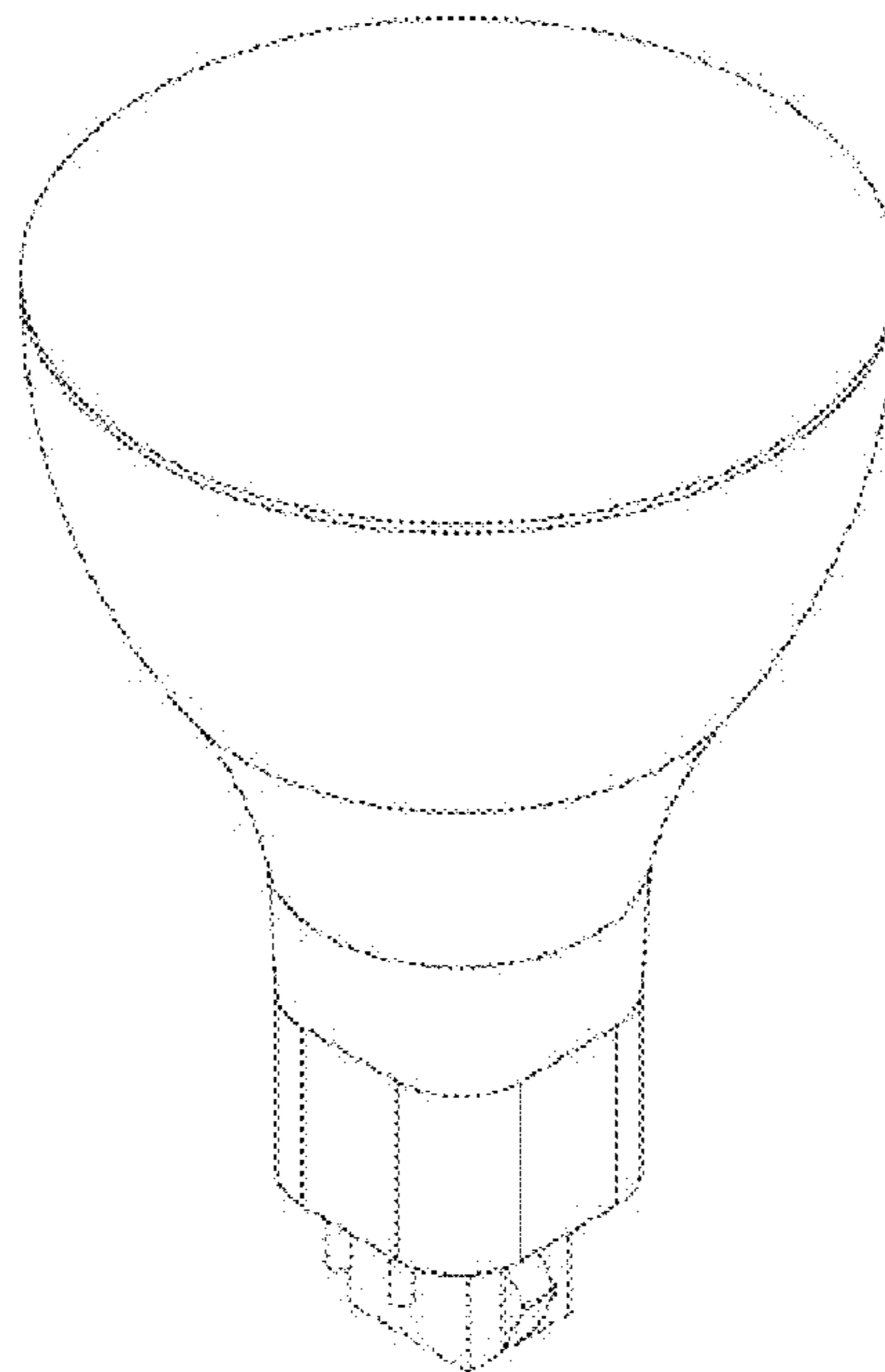
(57) **CLAIM**

The ornamental design for LED lamp, as shown and described herein.

**DESCRIPTION**

FIG. 1 is a perspective view of the lamp.  
FIG. 2 is a first side elevational view of the lamp, the first side elevational view from an opposite side of the lamp being the same.  
FIG. 3 is a second side elevational view of the lamp, the second side elevational view from an opposite side of the lamp being the same.  
FIG. 4 is a top plan view of the lamp; and,  
FIG. 5 is a bottom view of the lamp.  
Any broken lines on the drawings depict portions of the lamp that form no part of the claimed design. Contour lines shown in the drawings are intended to represent the approximate three-dimensional contours of the design, and are not intended to indicate surface decoration. References to “side”, “top”, and “bottom” in the figure descriptions are not meant to require certain in-use orientation; a lamp according to the claimed design may be used in any orientation.

**1 Claim, 5 Drawing Sheets**



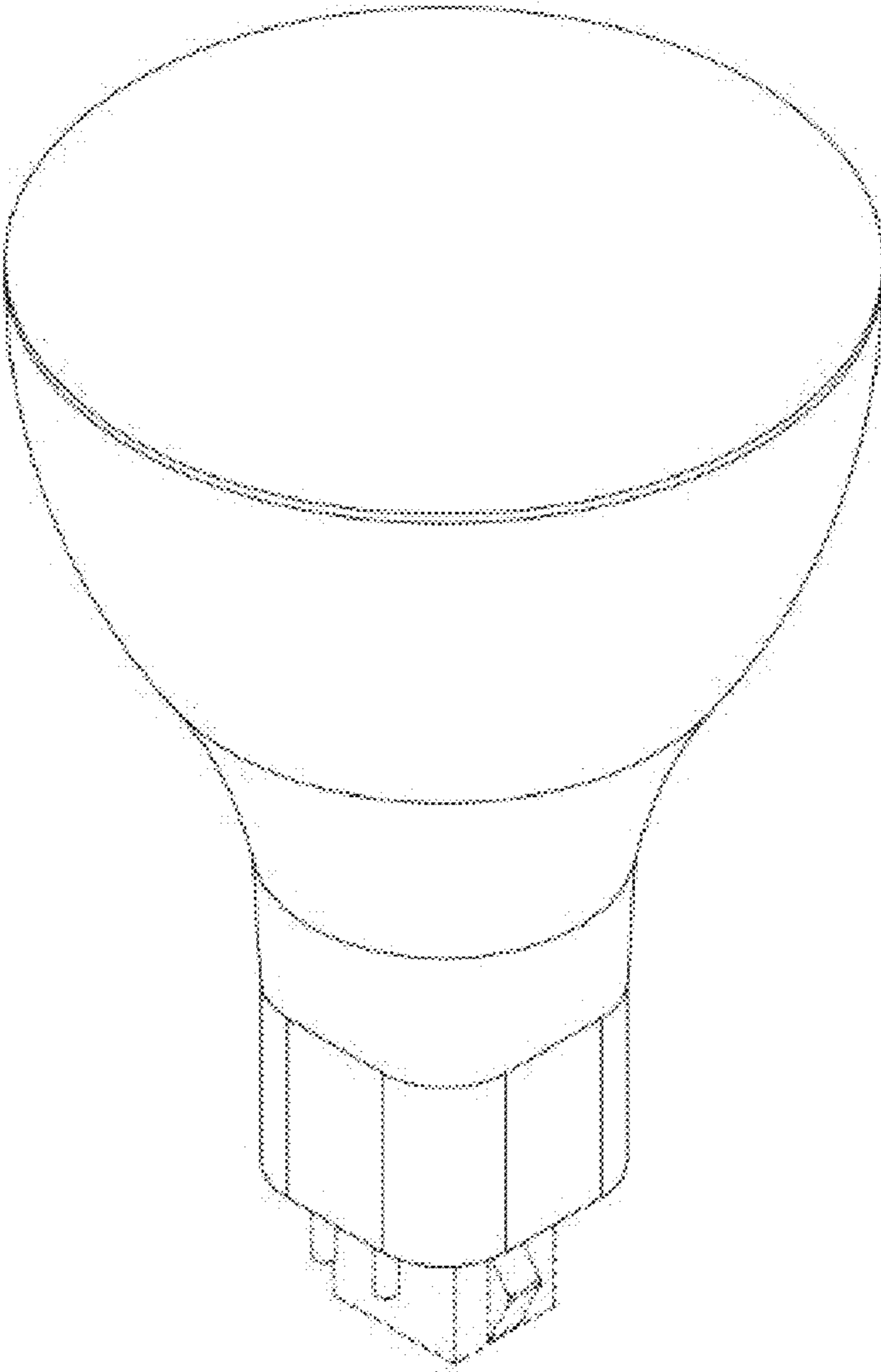


FIG. 1

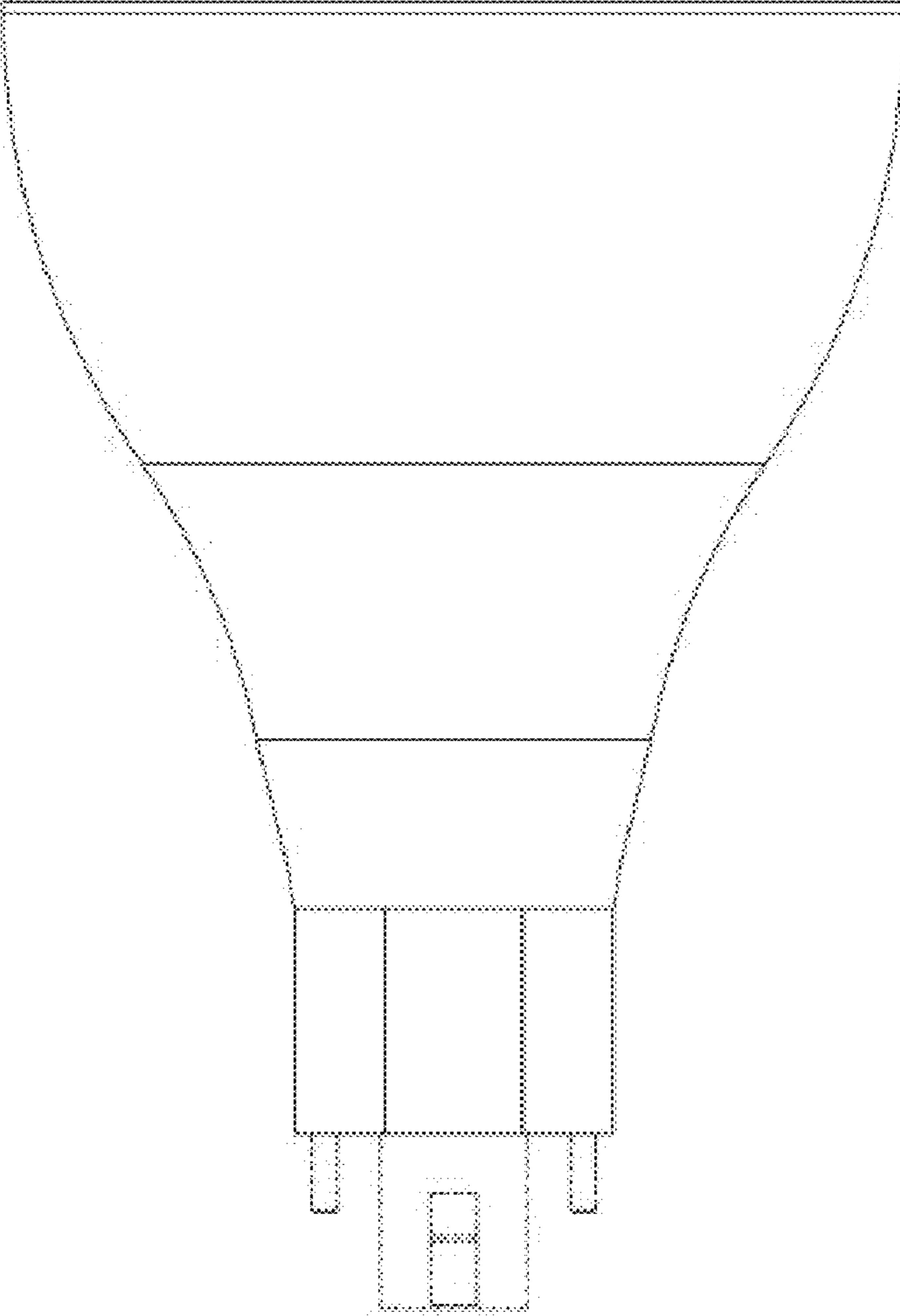


FIG. 2

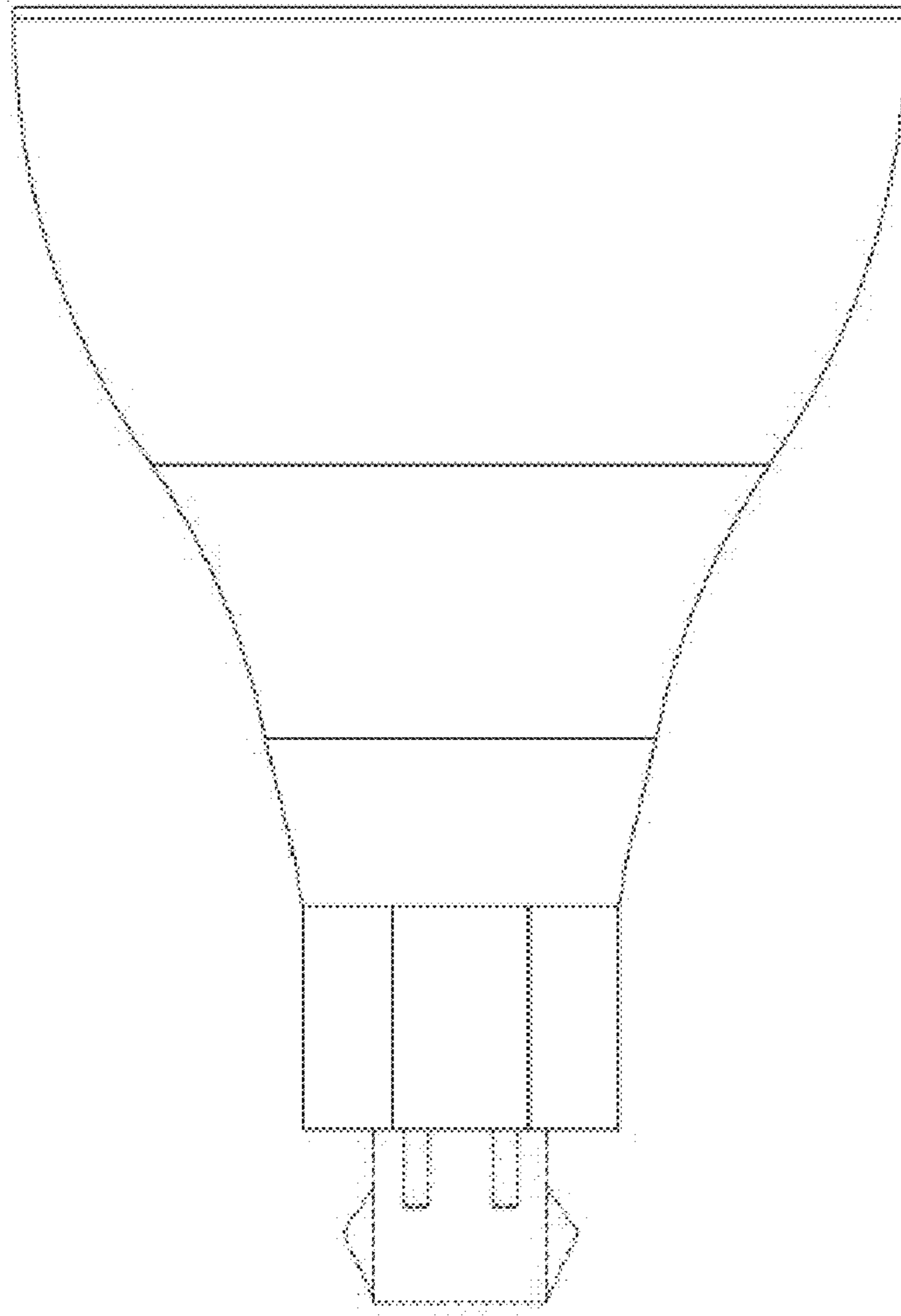


FIG. 3

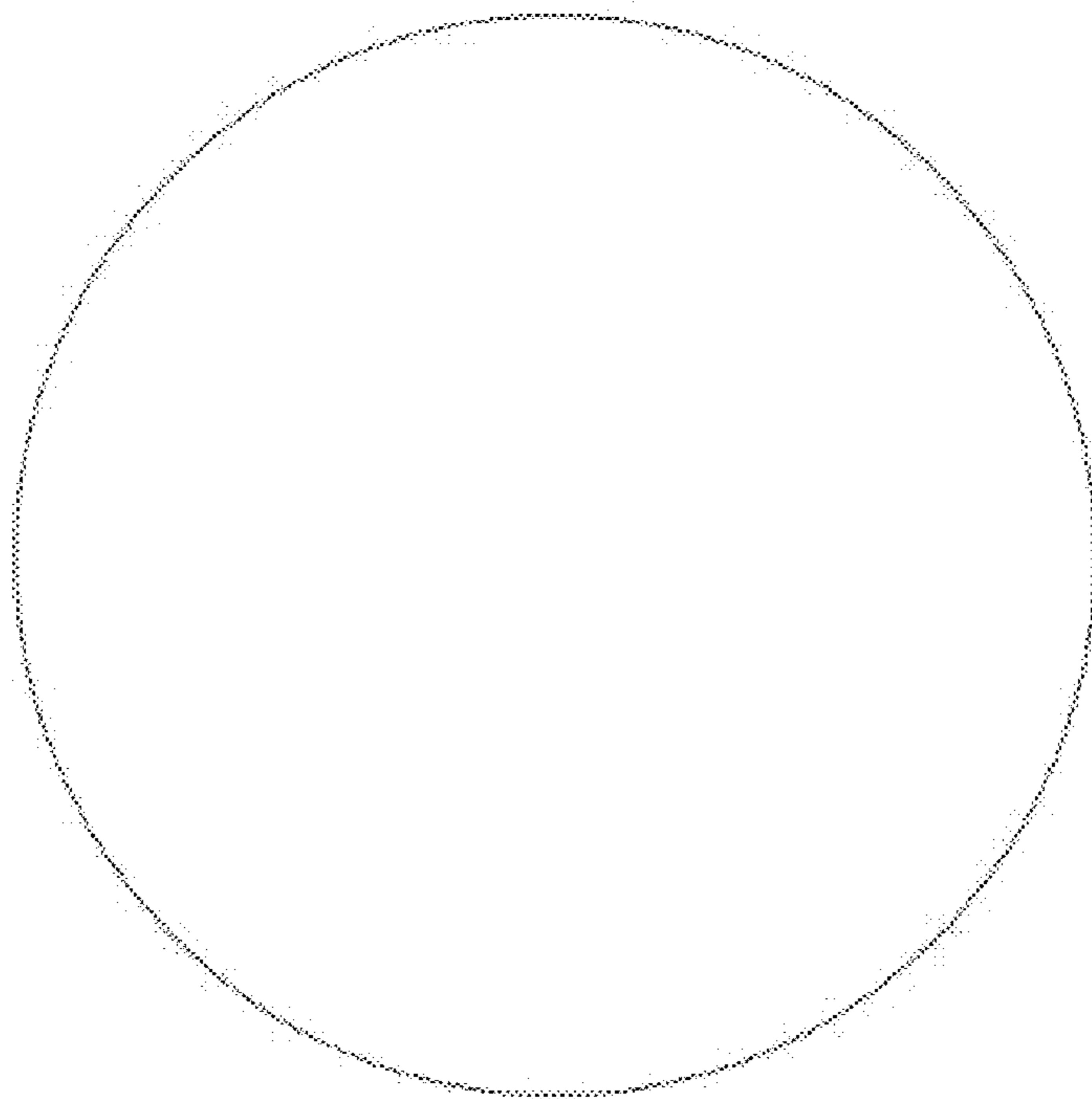


FIG. 4

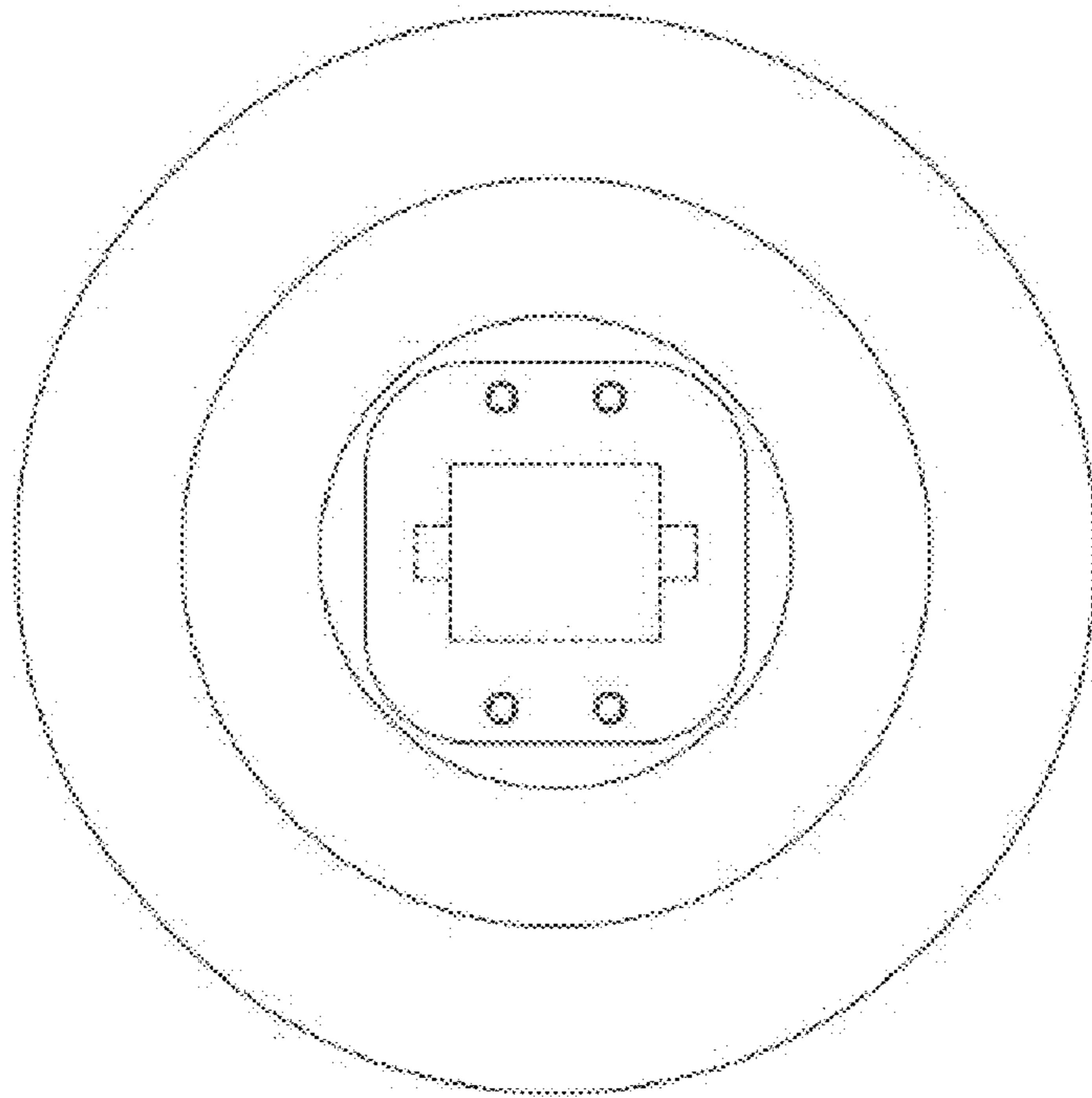


FIG. 5

UNITED STATES PATENT AND TRADEMARK OFFICE  
**CERTIFICATE OF CORRECTION**

PATENT NO. : D750,285 S  
APPLICATION NO. : 29/510862  
DATED : February 23, 2016  
INVENTOR(S) : Dudik et al.

Page 1 of 1

It is certified that error appears in the above-identified patent and that said Letters Patent is hereby corrected as shown below:

On the Title Page, under "DESCRIPTION", in Column 2, Line 8, delete "lamp; and," and insert  
-- lamp. --, therefor.

Signed and Sealed this  
Twenty-fifth Day of October, 2016



Michelle K. Lee  
*Director of the United States Patent and Trademark Office*