



US00D750282S

(12) **United States Design Patent**
Lippeatt

(10) **Patent No.:** **US D750,282 S**

(45) **Date of Patent:** **** Feb. 23, 2016**

(54) **SKYLIGHT FLASHING**

FOREIGN PATENT DOCUMENTS

(71) Applicant: **Warren Richard Lippeatt**, Westlake Village, CA (US)

DE 19726267 A1 * 1/1998

* cited by examiner

(72) Inventor: **Warren Richard Lippeatt**, Westlake Village, CA (US)

Primary Examiner — Doris Clark

(74) *Attorney, Agent, or Firm* — Ralph D. Chabot

(73) Assignee: **R & S MANUFACTURING AND SALES COMPANY, INC.**, Newbury Park, CA (US)

(57) **CLAIM**

The ornamental design for a skylight flashing, as shown and described.

(**) Term: **14 Years**

(21) Appl. No.: **29/482,717**

(22) Filed: **Feb. 21, 2014**

Related U.S. Application Data

(63) Continuation of application No. 13/987,310, filed on Jan. 7, 2013, now abandoned.

(51) **LOC (10) Cl.** **25-01**

(52) **U.S. Cl.**
USPC **D25/199**

(58) **Field of Classification Search**
USPC D25/199
CPC E04B 2/88; E04B 7/18; E04B 9/32;
E04B 9/34

See application file for complete search history.

(56) **References Cited**

U.S. PATENT DOCUMENTS

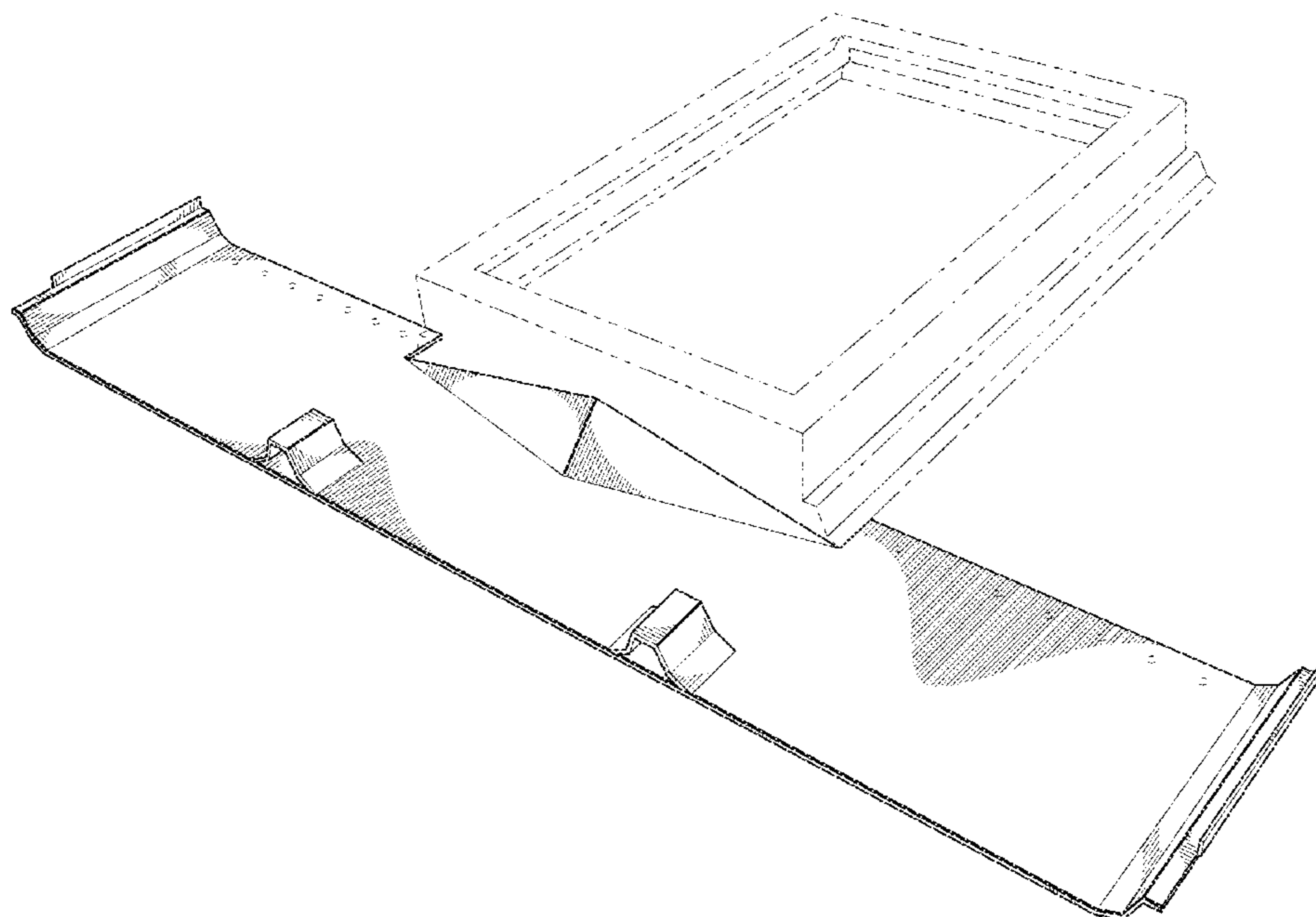
5,896,713 A * 4/1999 Chao et al. 52/200
D448,095 S * 9/2001 Merideth D25/199
D489,834 S * 5/2004 Weston D25/199

DESCRIPTION

FIG. 1 is a top, front, right side perspective view.
FIG. 2 is a left side elevation view, the right side elevation view being a mirror image
FIG. 3 is an enlarged fragmented front left elevation view of FIG. 1;
FIG. 4 is an enlarged fragmented front right view of FIG. 1;
FIG. 5 is an enlarged fragmented rear left view of FIG. 1;
FIG. 6 is an enlarged fragmented rear right view of FIG. 1;
FIG. 7 is an enlarged fragmented top left view of FIG. 1;
FIG. 8 is an enlarged fragmented top right view of FIG. 1;
FIG. 9 is an enlarged fragmented bottom left view of FIG. 1;
FIG. 10 is an enlarged fragmented bottom right view of FIG. 1; and,
FIG. 11 is a side elevation view taken along line 11-11 of FIG. 3.

The portion of the structure shown in broken lines is for illustrative purposes only and forms no part of the claimed design.

1 Claim, 8 Drawing Sheets



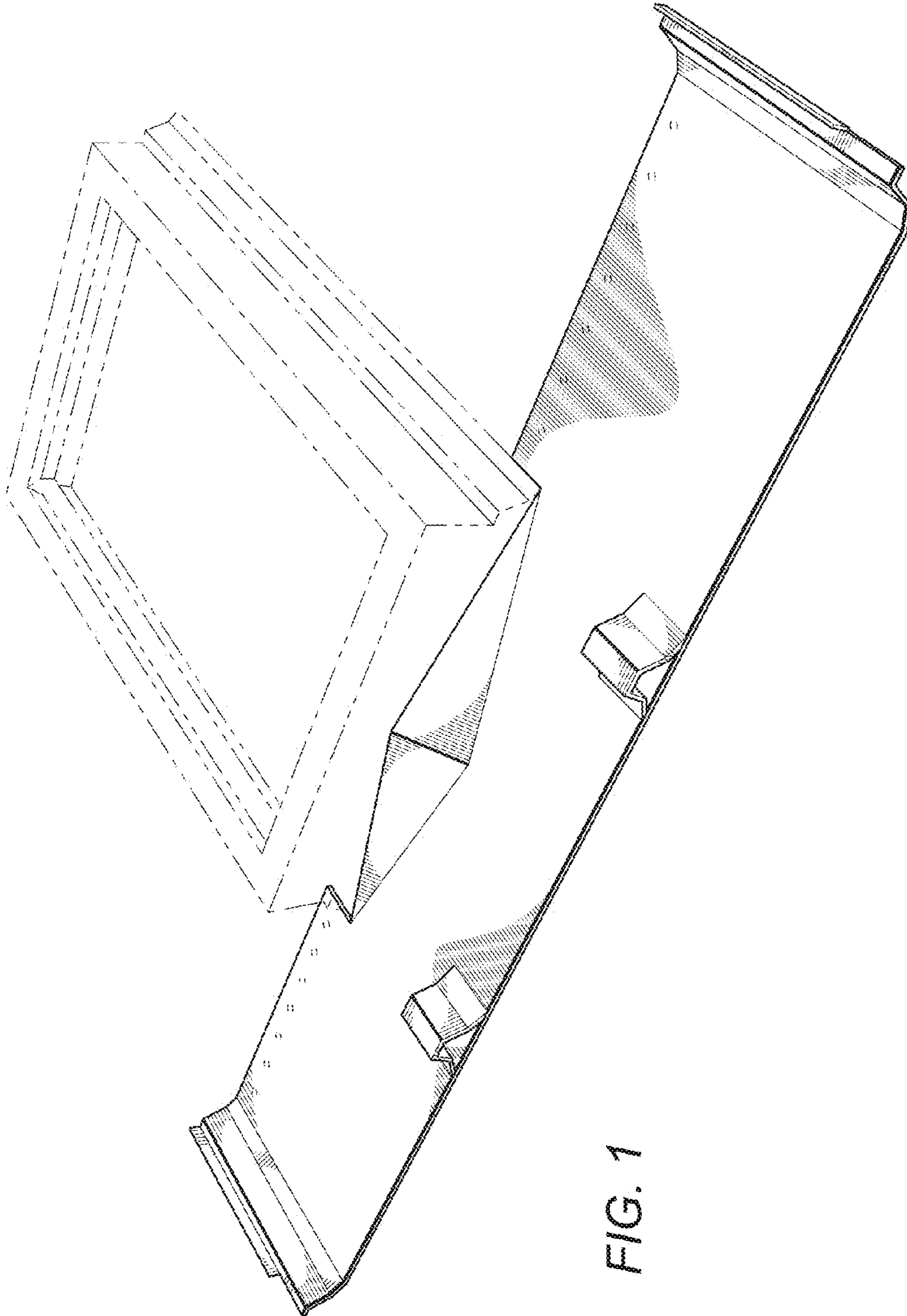


FIG. 2

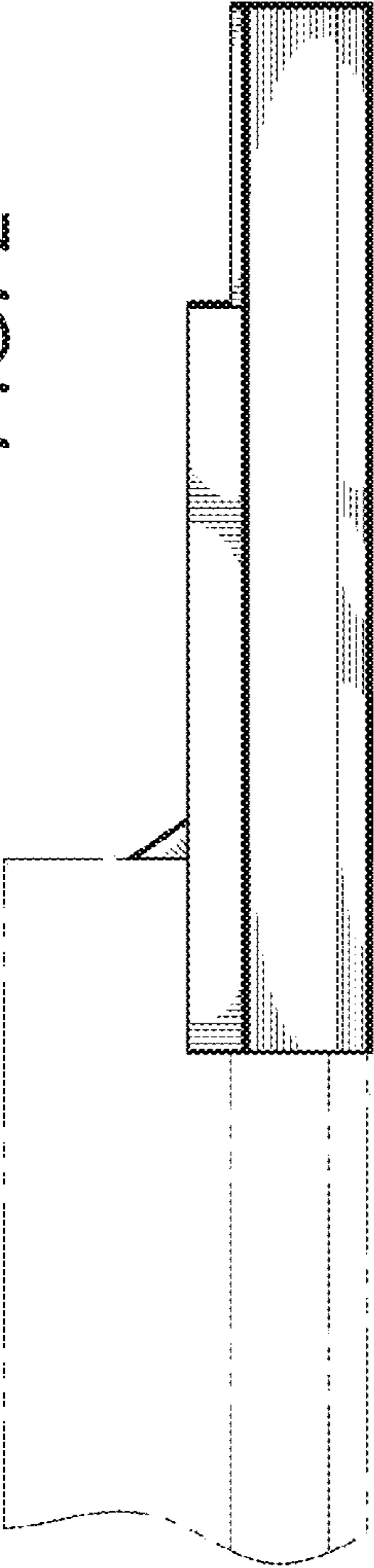
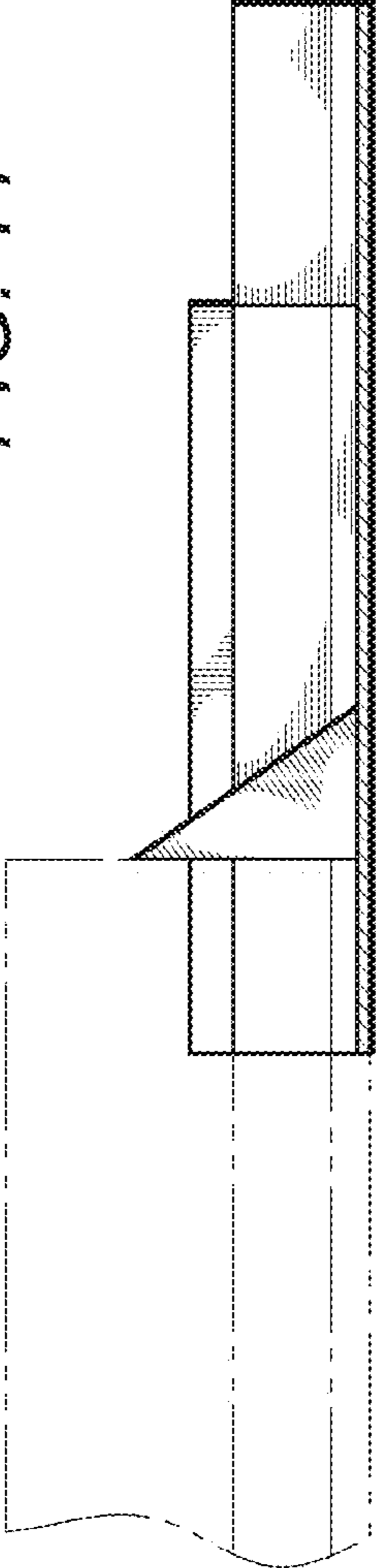
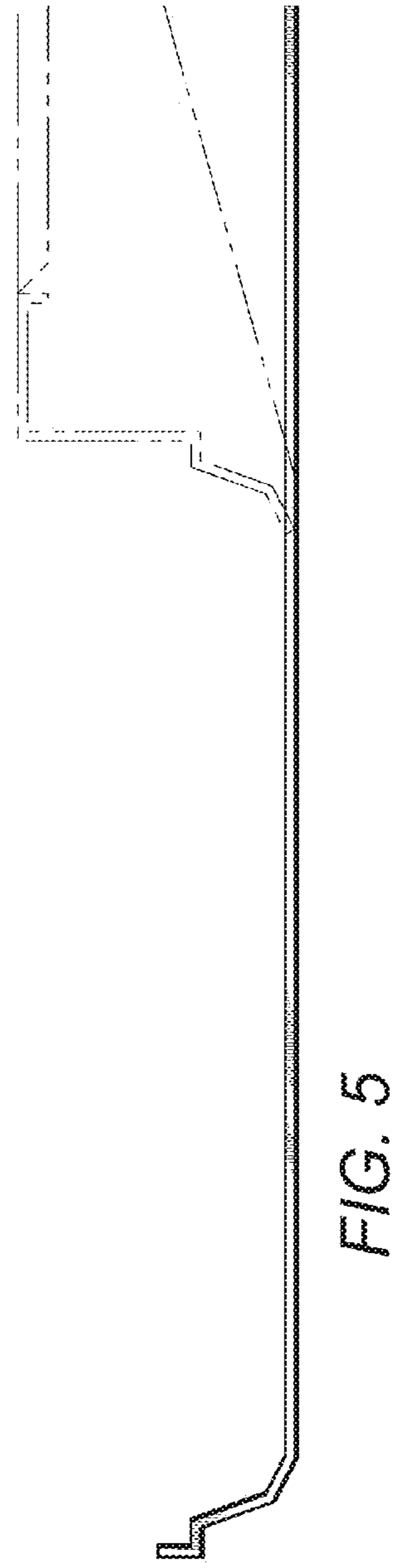
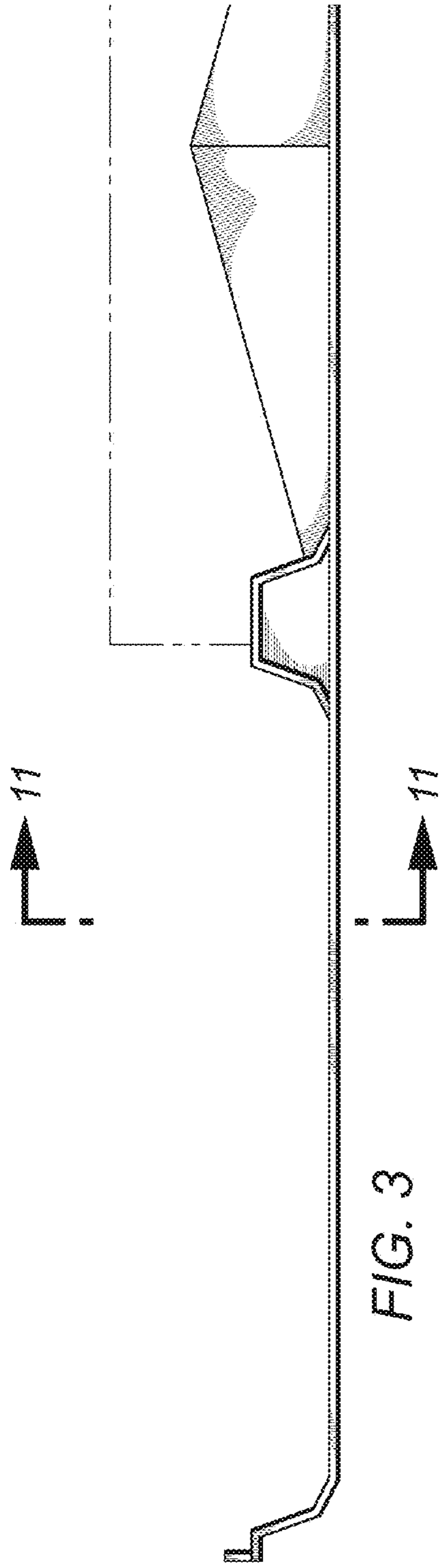


FIG. 11





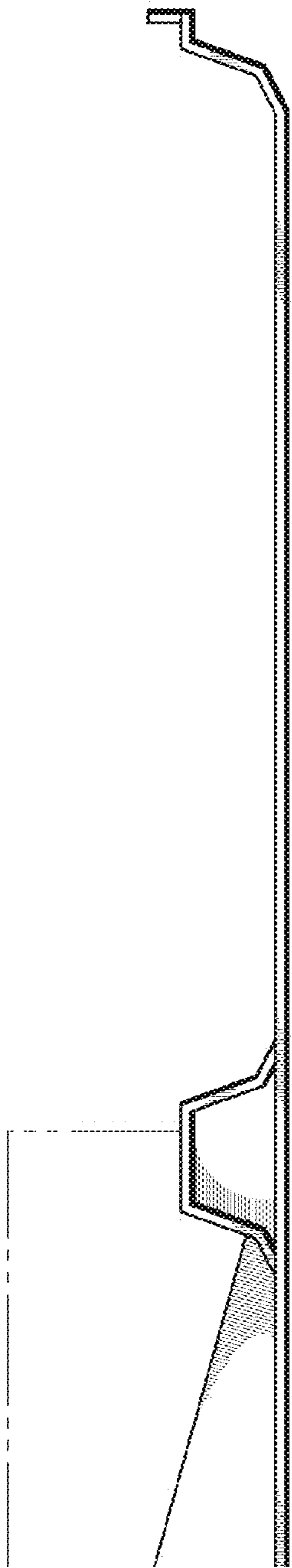


FIG. 4

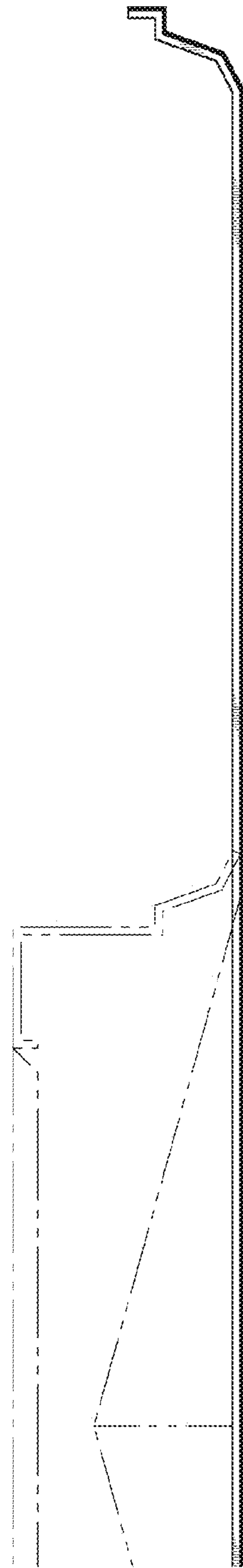


FIG. 6

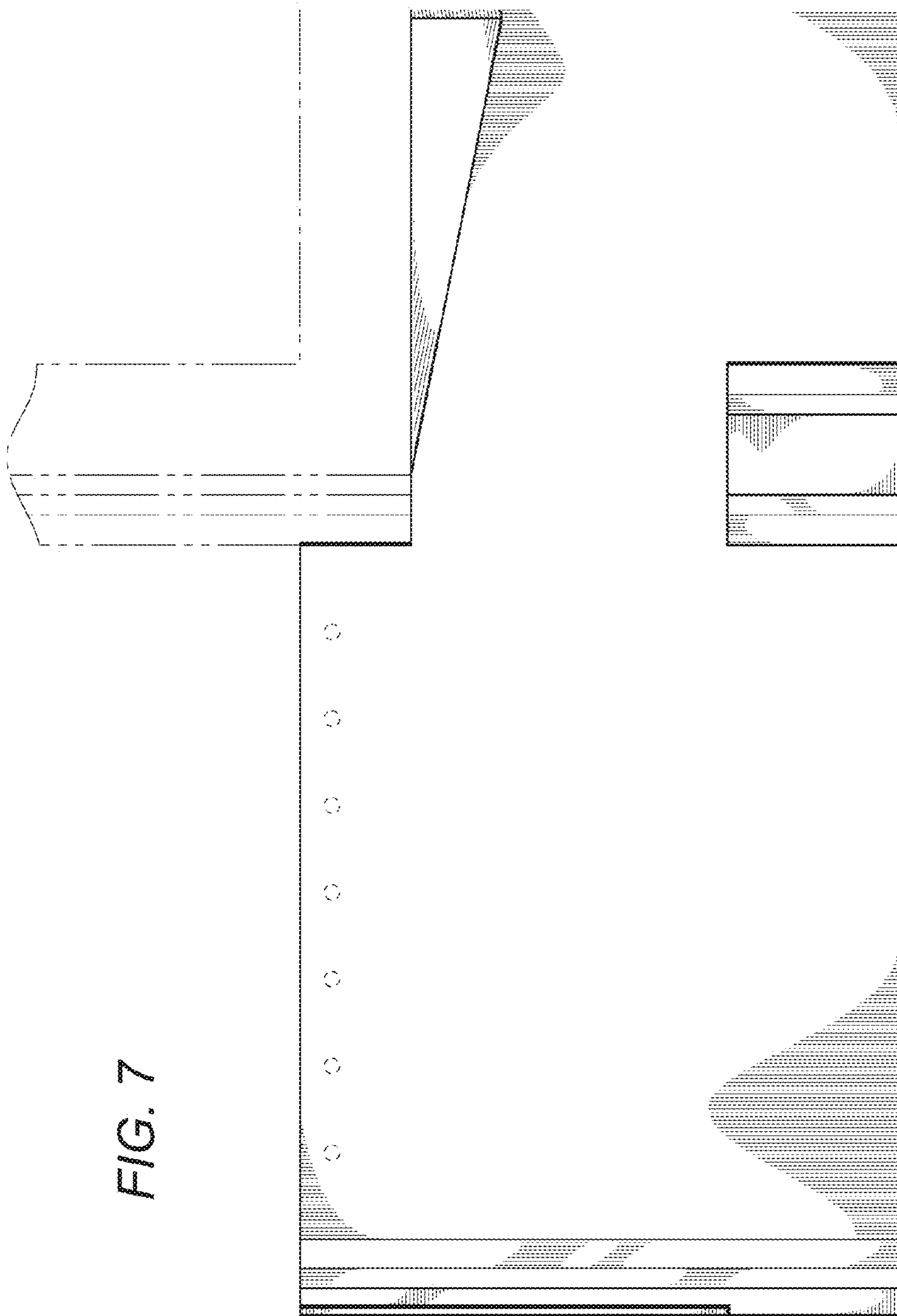
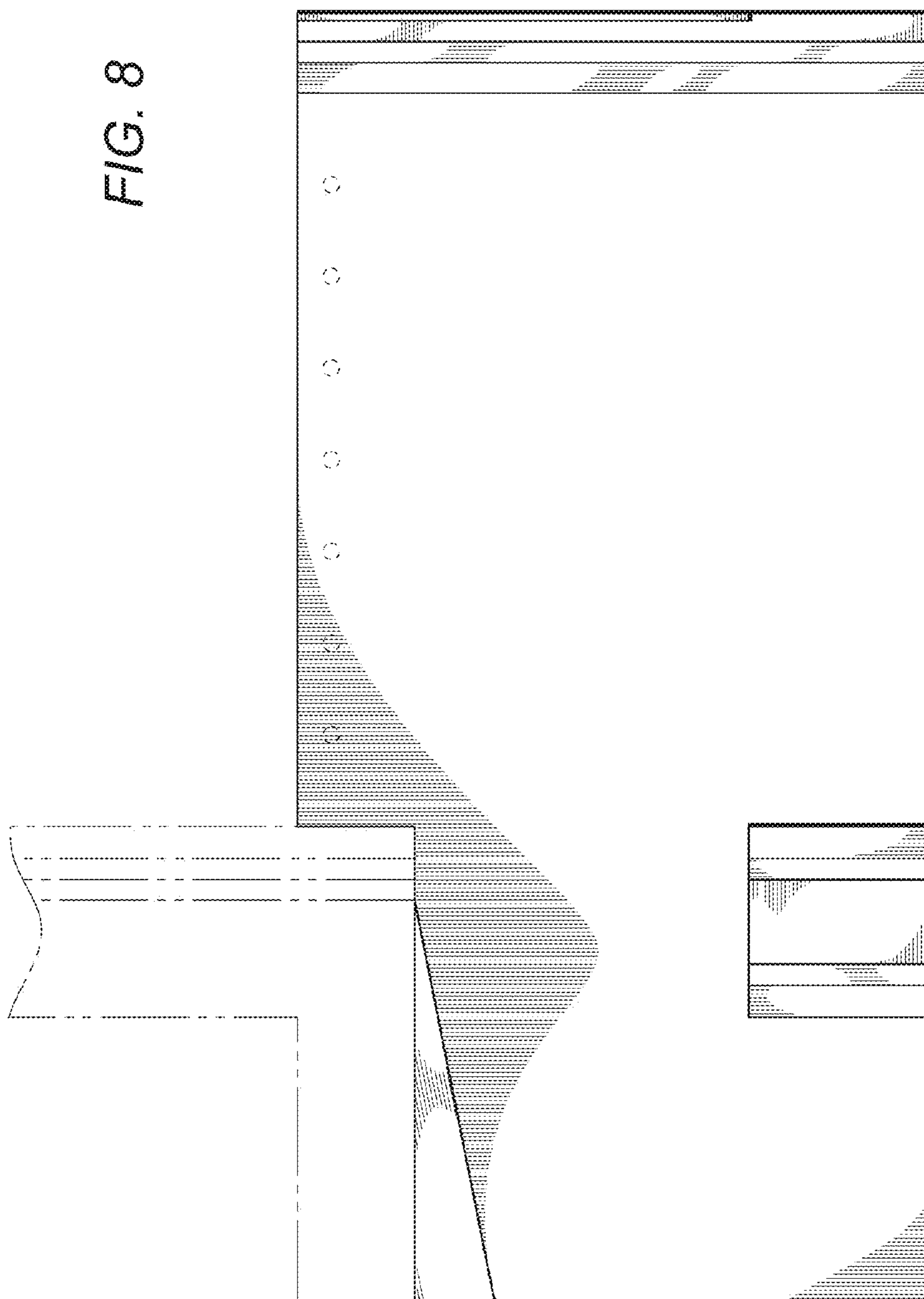


FIG. 8



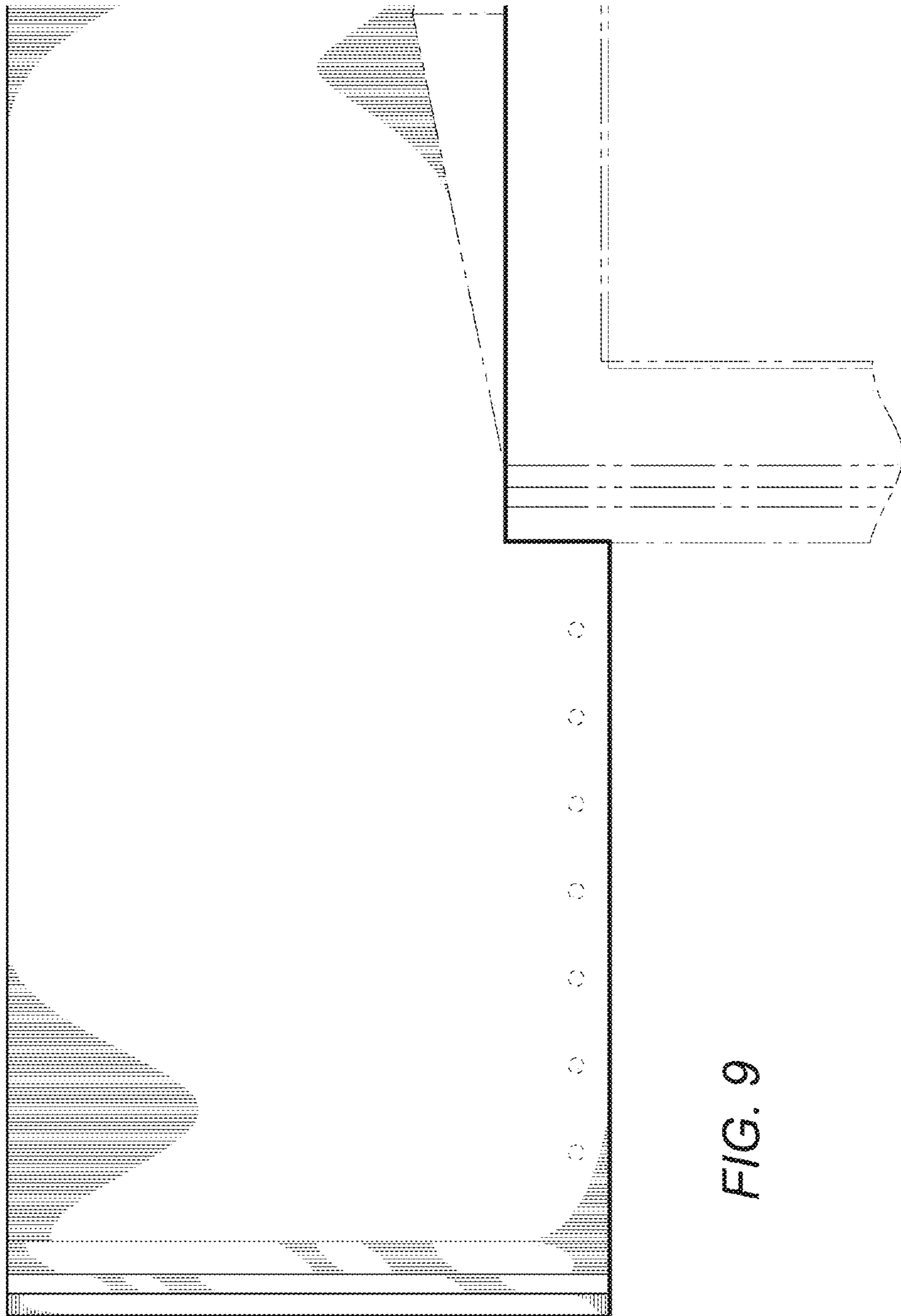


FIG. 9

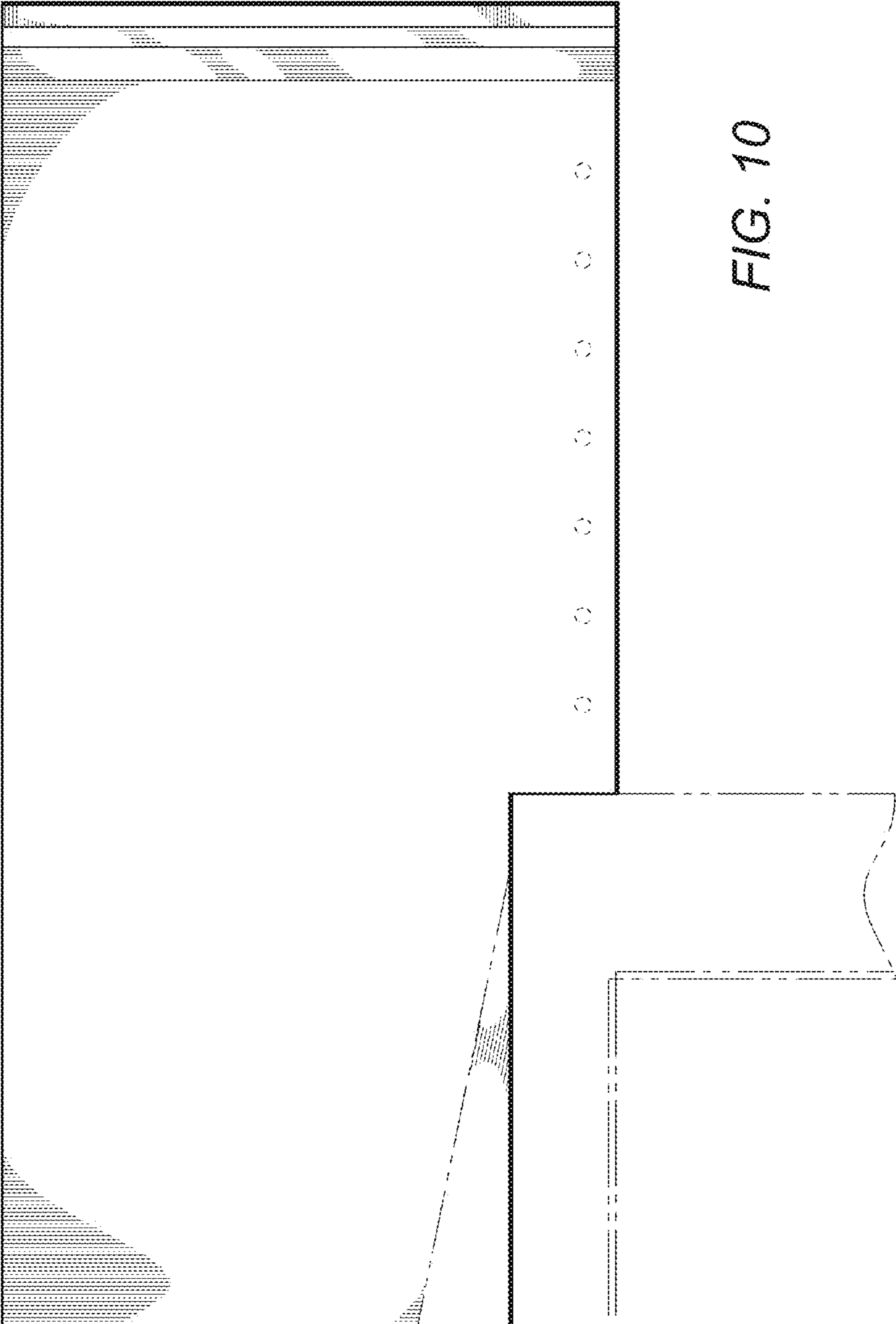


FIG. 10