



US00D750278S

(12) **United States Design Patent**
Bodwell et al.

(10) **Patent No.:** **US D750,278 S**
(45) **Date of Patent:** **** Feb. 23, 2016**

- (54) **WALL PANEL**
- (71) Applicant: **ASC Profiles LLC**, West Sacramento, CA (US)
- (72) Inventors: **Patrick A. Bodwell**, Auburn, CA (US);
Richard J. King, Sacramento, CA (US)
- (73) Assignee: **ASC Profiles, LLC**, West Sacramento, CA (US)
- (**) Term: **14 Years**
- (21) Appl. No.: **29/511,207**
- (22) Filed: **Dec. 8, 2014**
- (51) **LOC (10) Cl.** **25-01**
- (52) **U.S. Cl.**
USPC **D25/119**; D25/141
- (58) **Field of Classification Search**
USPC D25/141, 119; 52/588.1, 478, 537, 235,
52/309.14, 518, 555, 474
See application file for complete search history.

D677,404 S	3/2013	Griffiths
D679,834 S	4/2013	Griffiths
D687,976 S	8/2013	Griffiths
D687,977 S	8/2013	Griffiths
D690,442 S	9/2013	Griffiths
D690,838 S	10/2013	Griffiths
D698,046 S	1/2014	Griffiths
D698,944 S	2/2014	Griffiths
D698,946 S	2/2014	Griffiths
D698,947 S	2/2014	Griffiths
D700,364 S	2/2014	Griffiths
D700,365 S	2/2014	Griffiths
D700,366 S	2/2014	Griffiths
D713,978 S	9/2014	Zombek
2004/0003566 A1 *	1/2004	Sicuranza 52/518

* cited by examiner

Primary Examiner — Doris Clark

(74) *Attorney, Agent, or Firm* — Lathrop & Gage LLP

(57) **CLAIM**

The ornamental design for a wall panel, as shown and described.

DESCRIPTION

FIG. 1 is a perspective view of interlocked wall panel illustrating our new design;
 FIG. 2 is a front elevation view thereof;
 FIG. 3 is a right side elevation view thereof;
 FIG. 4 is a top plan view thereof;
 FIG. 5 is a bottom plan view thereof;
 FIG. 6 is a perspective view of a second embodiment of interlocked wall panel;
 FIG. 7 is a front elevation view thereof;
 FIG. 8 is a right side elevation view thereof;
 FIG. 9 is a top plan view thereof; and,
 FIG. 10 is a bottom plan view thereof.

1 Claim, 8 Drawing Sheets

(56) **References Cited**

U.S. PATENT DOCUMENTS

3,596,420 A *	8/1971	Ducker 52/169.12
D426,321 S	6/2000	Lockwood	
D527,834 S	9/2006	Thimons et al.	
D538,948 S	3/2007	Thimons et al.	
D667,963 S	9/2012	Griffiths	
D668,353 S	10/2012	Griffiths	
D668,354 S	10/2012	Griffiths	
D668,356 S	10/2012	Griffiths	
D668,357 S	10/2012	Griffiths	
D677,401 S	3/2013	Griffiths	
D677,402 S	3/2013	Griffiths	
D677,403 S	3/2013	Griffiths	

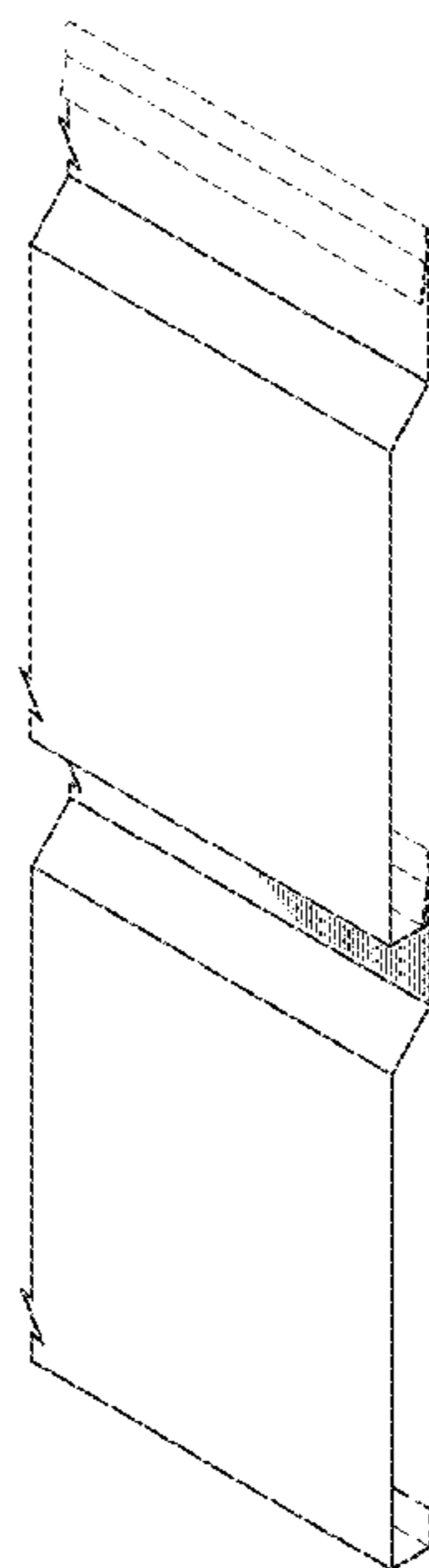
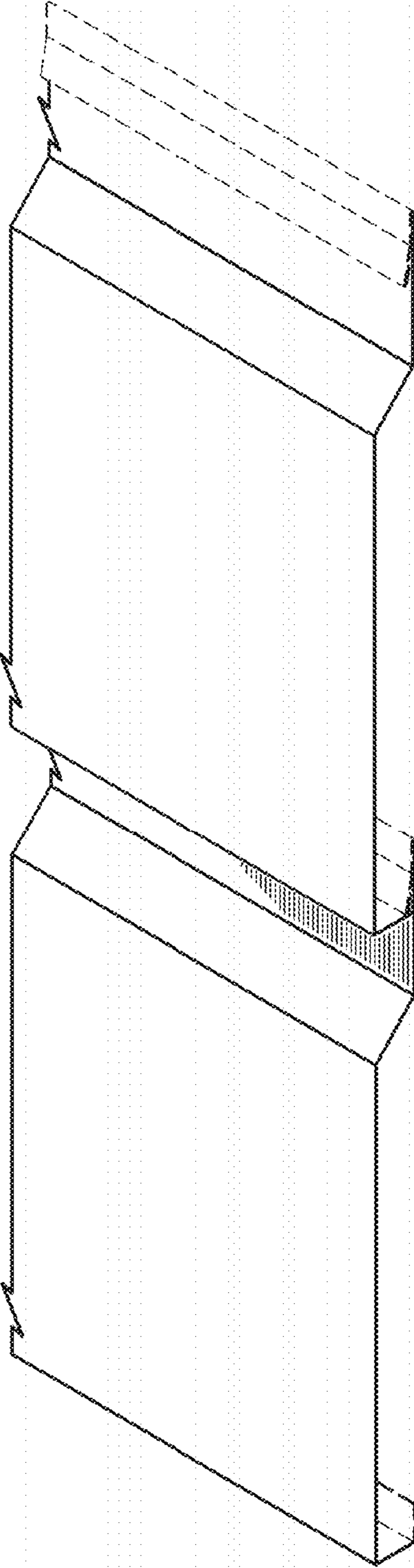


Fig. 1



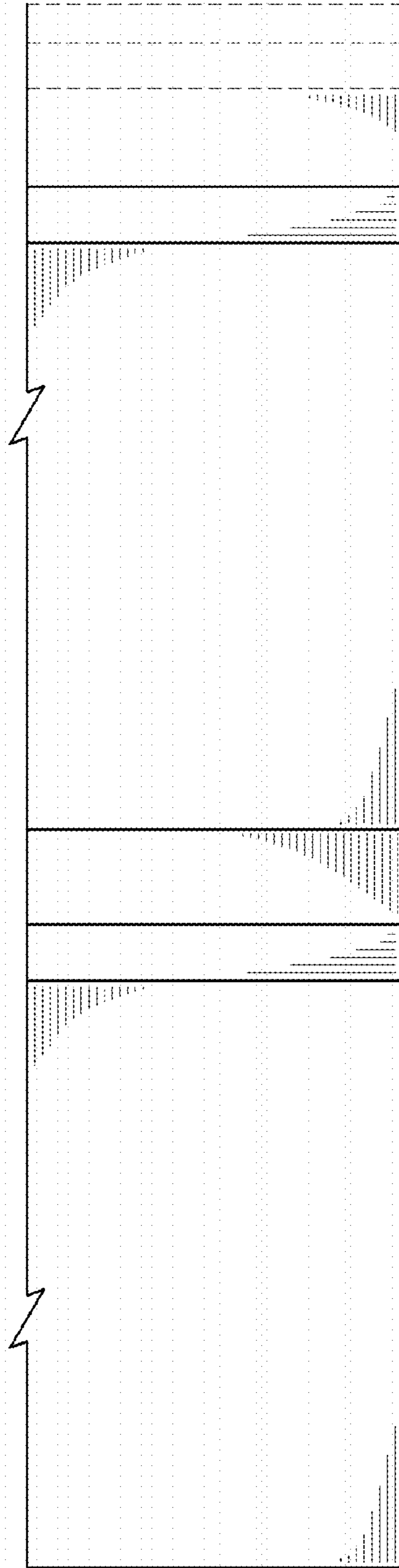


Fig. 2



Fig. 3



Fig. 4

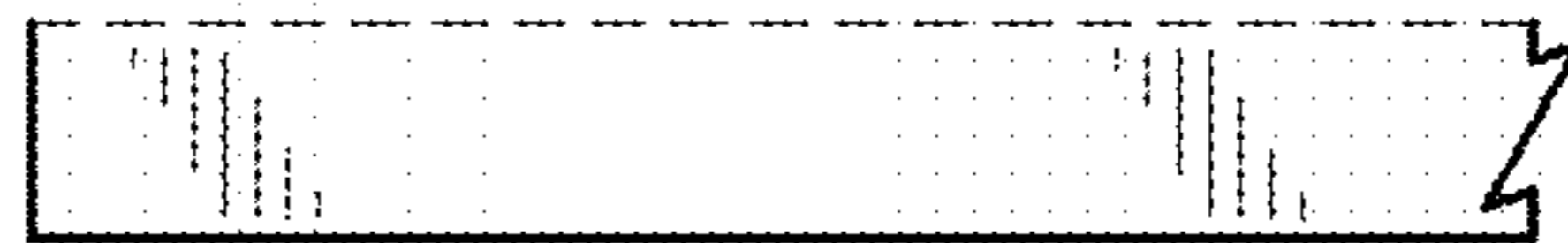
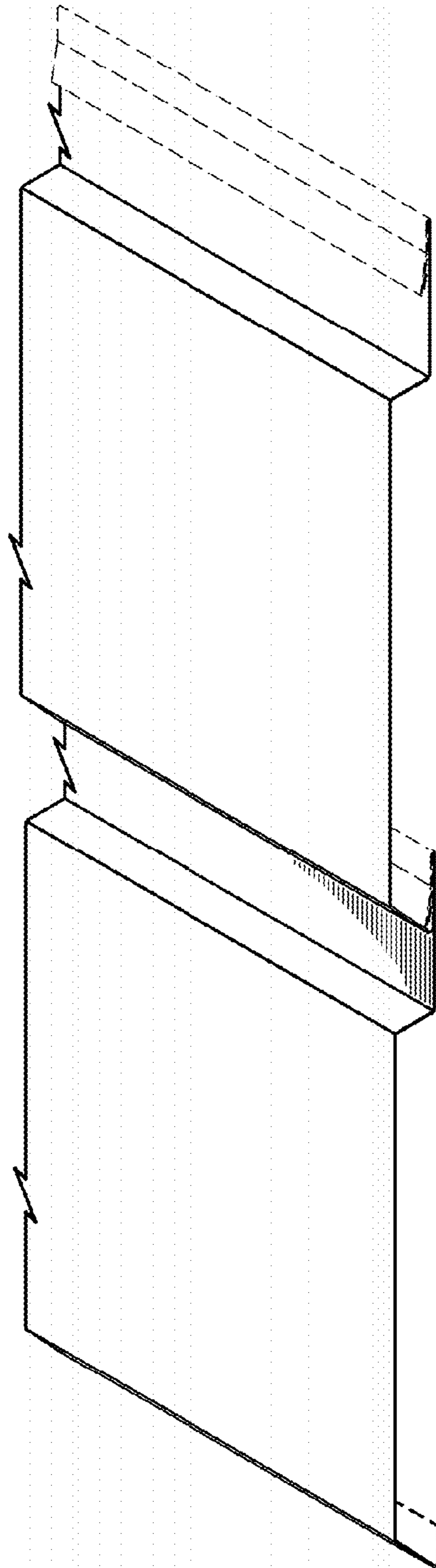


Fig. 5

Fig. 6



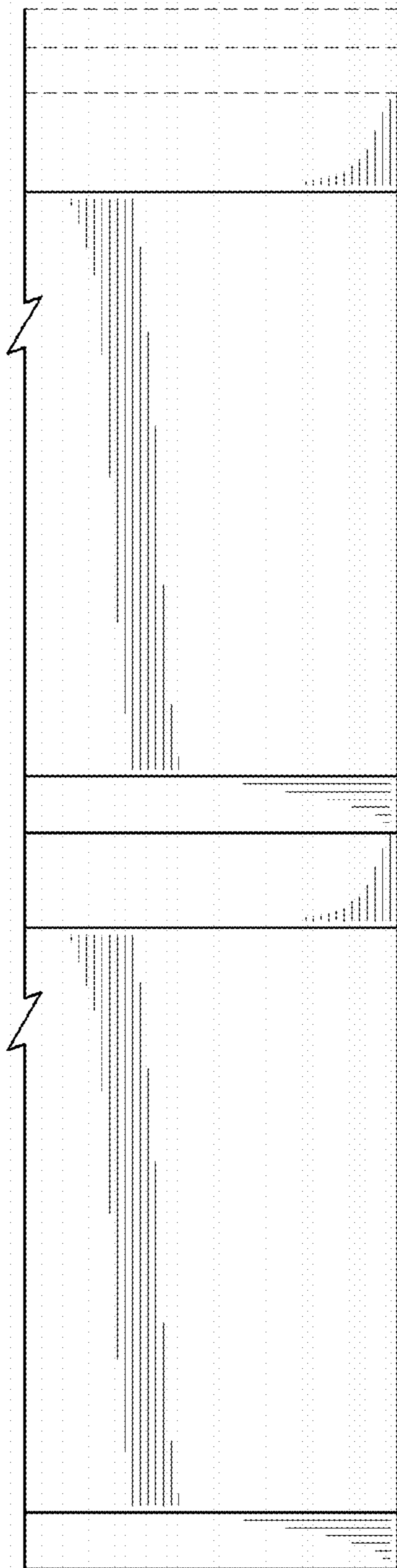


Fig. 7

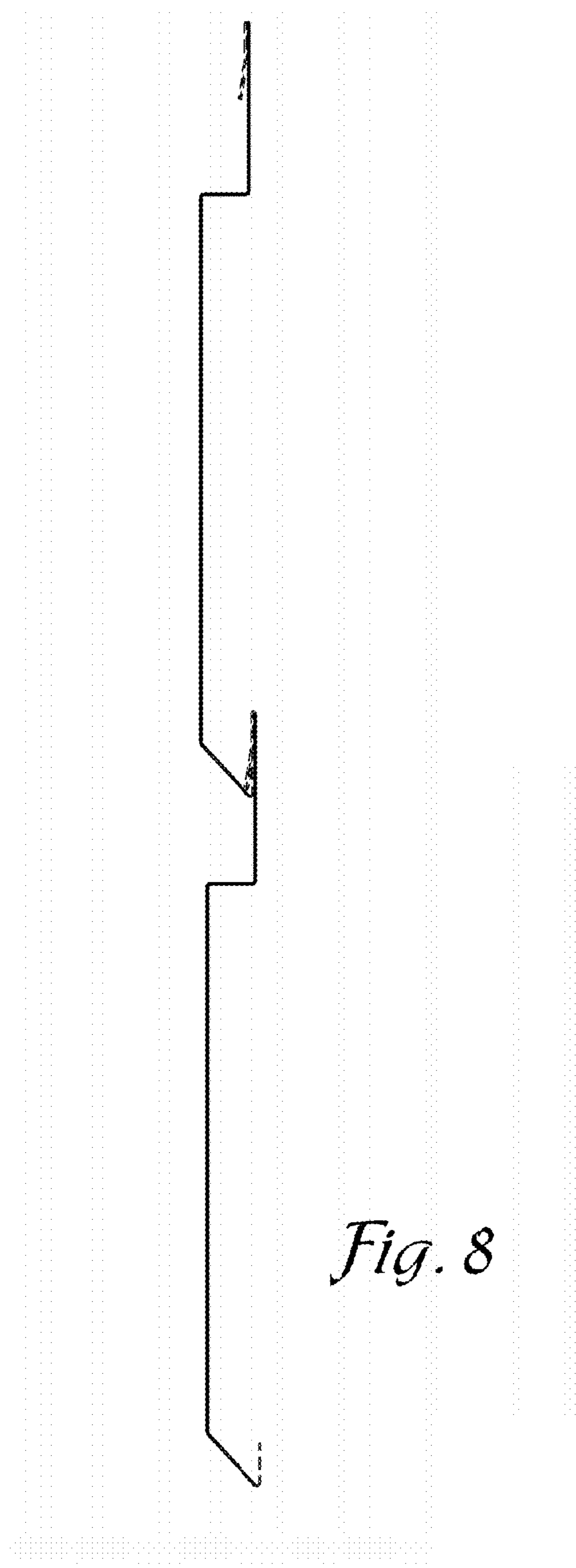


Fig. 8

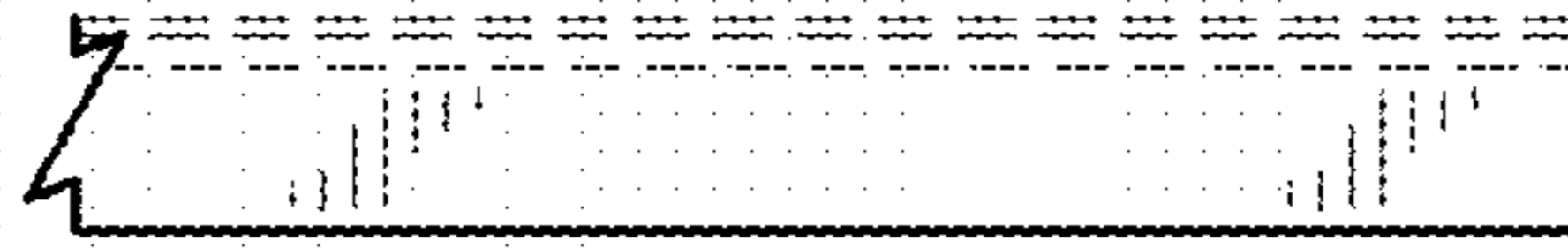


Fig. 9

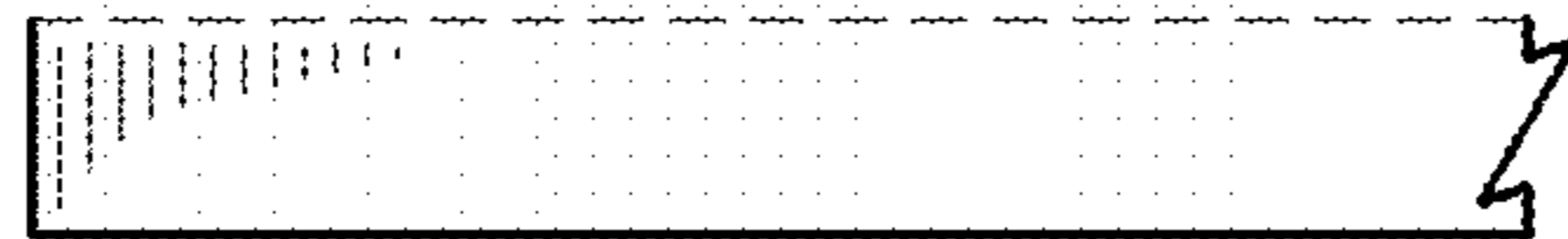


Fig. 10