



US00D750276S

(12) **United States Design Patent**
Hicks

(10) **Patent No.:** **US D750,276 S**
(45) **Date of Patent:** **** Feb. 23, 2016**

- (54) **SHUTTER SLAT**
- (71) Applicant: **Darryl A. Hicks**, Chicago, IL (US)
- (72) Inventor: **Darryl A. Hicks**, Chicago, IL (US)
- (73) Assignee: **Chicagone Developers, Inc.**, Chicago, IL (US)
- (**) Term: **14 Years**
- (21) Appl. No.: **29/488,354**
- (22) Filed: **Apr. 17, 2014**
- (51) **LOC (10) Cl.** **25-02**
- (52) **U.S. Cl.**
USPC **D25/48.4**
- (58) **Field of Classification Search**
USPC D25/48.4
CPC E06B 9/04; E06B 9/0638; E06B 9/15;
E06B 2009/1505; E06B 2009/1544
See application file for complete search history.

7,357,171	B2	4/2008	Miller	
7,409,980	B1	8/2008	Heissenberg	
D617,006	S *	6/2010	Konrad D25/48.4
7,784,522	B2	8/2010	Miller	
8,365,468	B2	2/2013	Weekes	
8,490,670	B2	7/2013	Miller	
8,584,731	B1 *	11/2013	Konrad E06B 9/15 160/133
8,616,261	B2	12/2013	Miller	
8,746,321	B2	6/2014	Miller	
2005/0205222	A1 *	9/2005	Miller E06B 9/581 160/236
2005/0205223	A1 *	9/2005	Miller E06B 9/15 160/236
2007/0199662	A1	8/2007	Miller	

(Continued)

OTHER PUBLICATIONS

2011 Rollac Rolling Shutters, Inc. Brochure, 8 pages.
(Continued)

Primary Examiner — Doris Clark
(74) *Attorney, Agent, or Firm* — McAndrews, Held & Malloy, Ltd.

(56) **References Cited**
U.S. PATENT DOCUMENTS

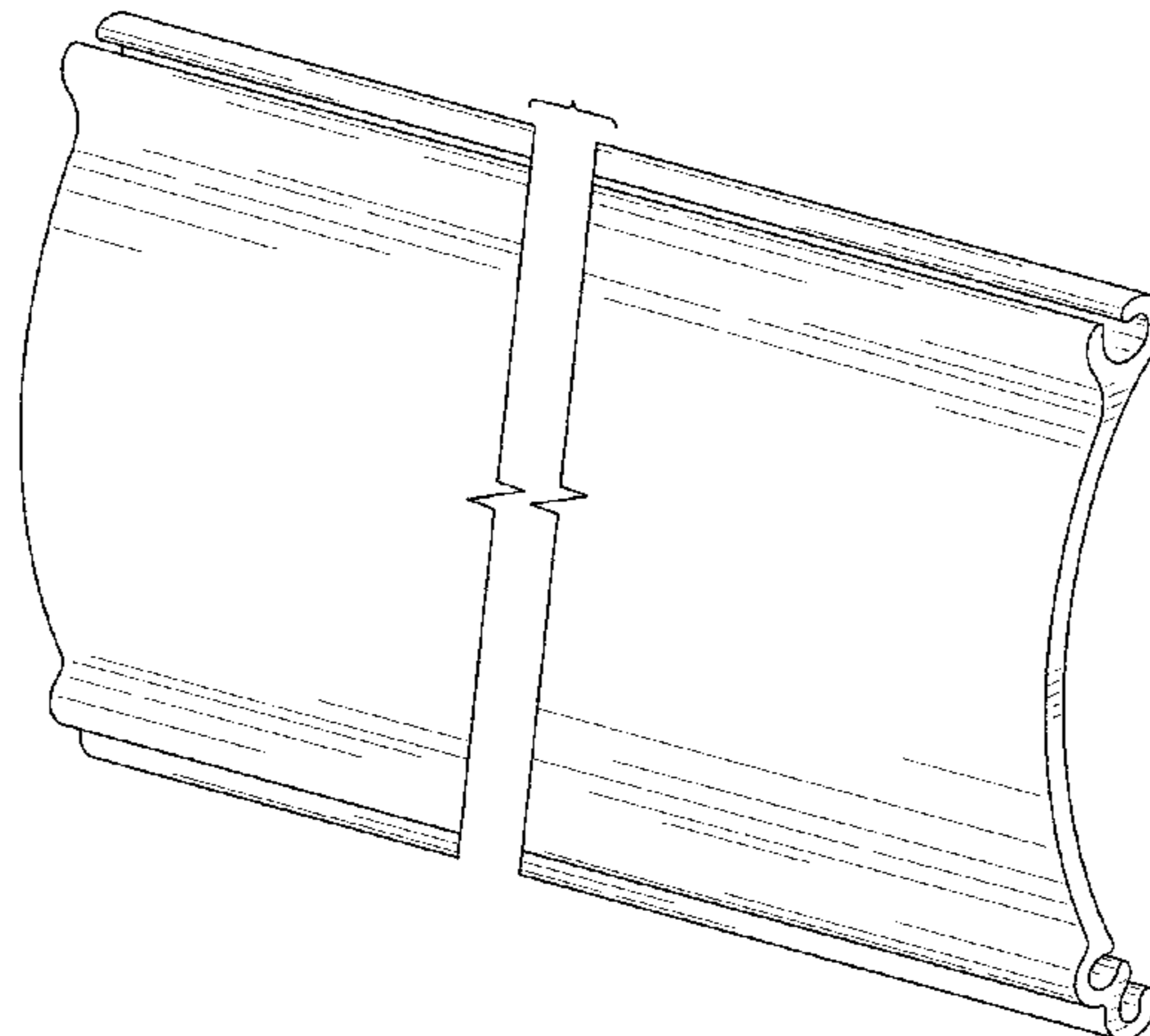
5,253,694	A	10/1993	Bernardo
5,575,322	A	11/1996	Miller
5,839,493	A	11/1998	Quasius
5,850,862	A	12/1998	Miller
5,938,136	A	8/1999	Miller
5,975,185	A	11/1999	Miller et al.
5,983,971	A	11/1999	Miller et al.
5,996,669	A	12/1999	Miller
6,021,837	A	2/2000	Miller
6,054,921	A	4/2000	Miller
6,085,822	A	7/2000	Miller
6,095,224	A	8/2000	Miller
6,095,225	A	8/2000	Miller
6,244,325	B1	6/2001	Miller et al.
6,263,942	B1	7/2001	Miller
6,302,179	B1	10/2001	Miller
6,422,289	B1	7/2002	Miller
6,453,975	B2	9/2002	Miller
7,100,665	B2	9/2006	Miller
7,299,850	B2	11/2007	Miller

(57) **CLAIM**
The ornamental design for a shutter slat, as shown and described.

DESCRIPTION

FIG. 1 is a front perspective view of a shutter slat showing my new design;
FIG. 2 is a rear perspective view thereof;
FIG. 3 is a front elevation view thereof;
FIG. 4 is a rear elevation view thereof;
FIG. 5 is a right side elevation view thereof;
FIG. 6 is a left side elevation view thereof;
FIG. 7 is a top plan view thereof; and,
FIG. 8 is a bottom plan view thereof.
The claimed design has been broken in the center to indicate indeterminate length.

1 Claim, 4 Drawing Sheets



(56)

References Cited

U.S. PATENT DOCUMENTS

2008/0016798 A1 1/2008 Miller
2008/0017329 A1 1/2008 Miller
2008/0202700 A1 8/2008 Miller
2009/0178769 A1 7/2009 Miller
2009/0282686 A1 11/2009 Weekes
2011/0162807 A1 7/2011 Miller

2012/0273141 A1 11/2012 Miller et al.
2012/0273142 A1 11/2012 Miller et al.
2013/0048231 A1 2/2013 Miller
2014/0231029 A1 8/2014 Miller

OTHER PUBLICATIONS

2010 Rolling Shutters Brochure, 2 pages.

* cited by examiner

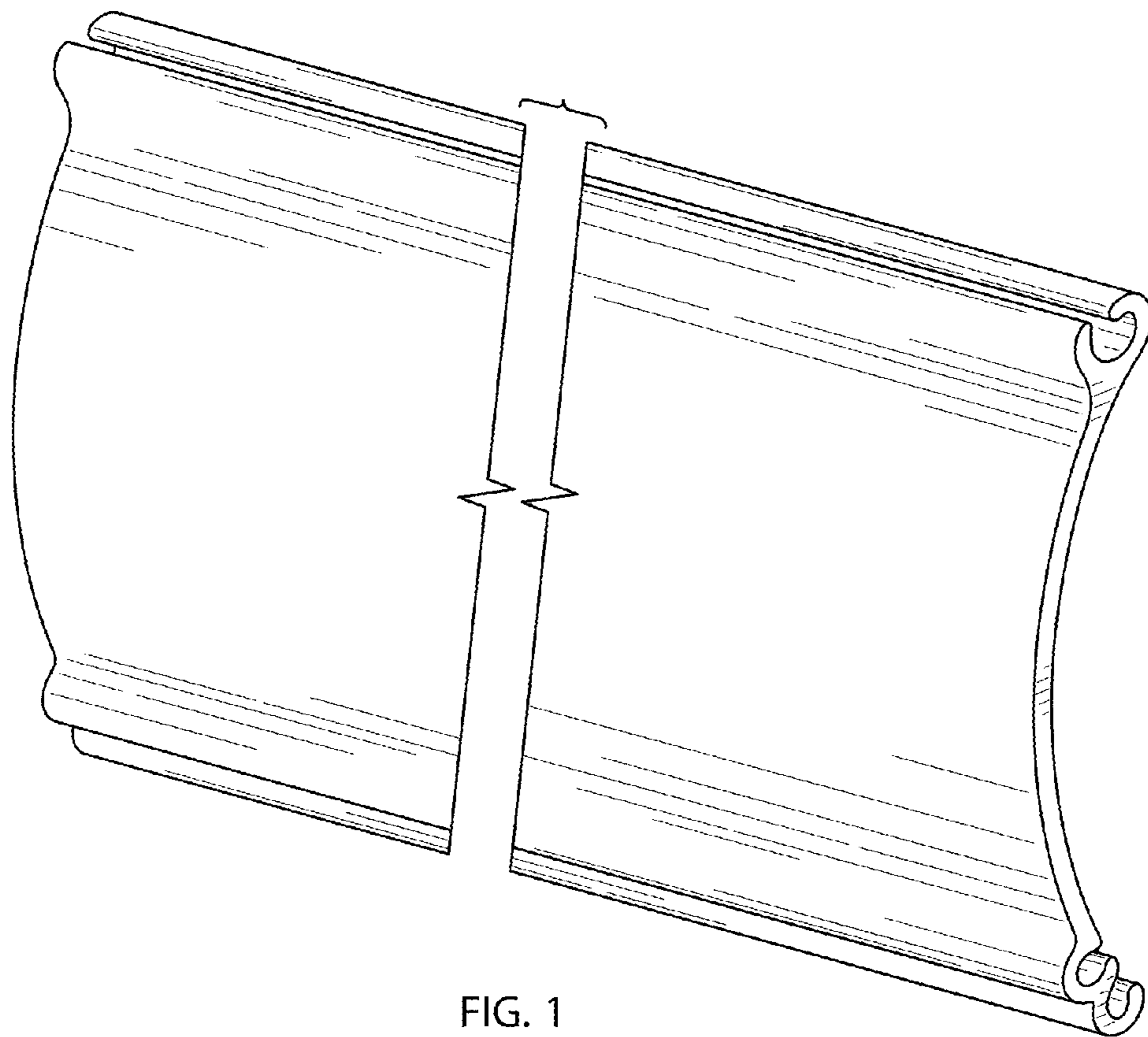


FIG. 1

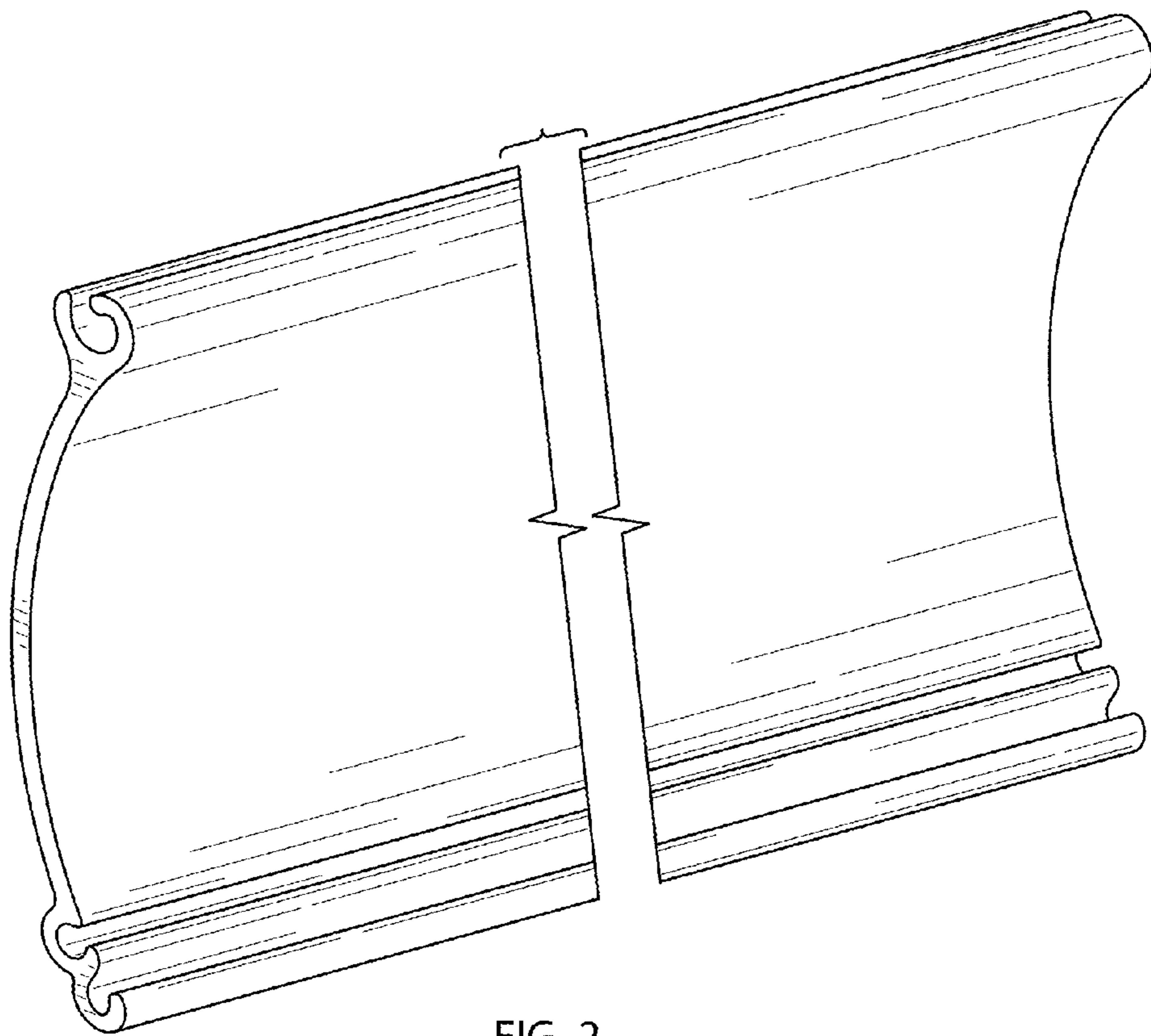


FIG. 2

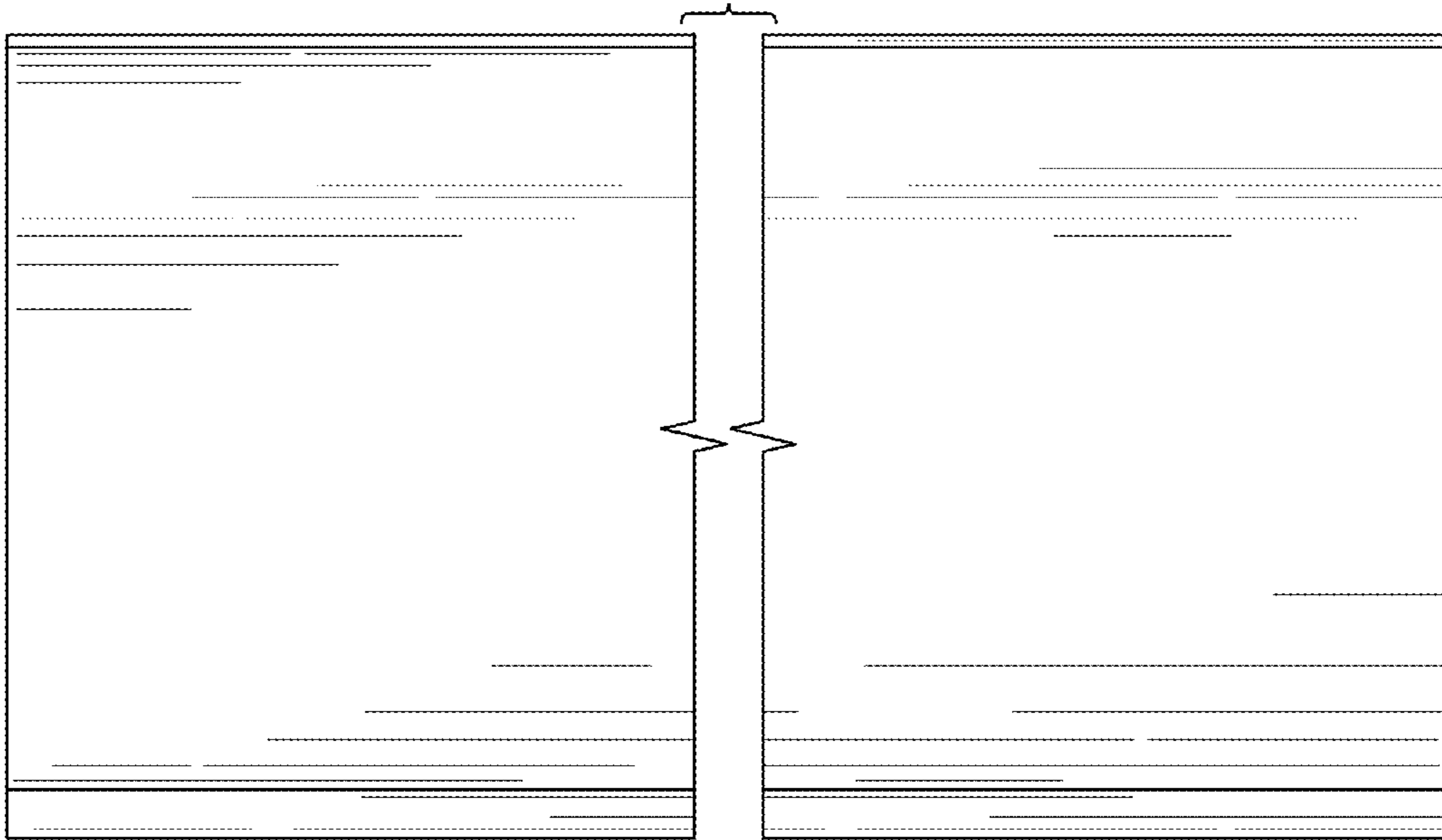


FIG. 3

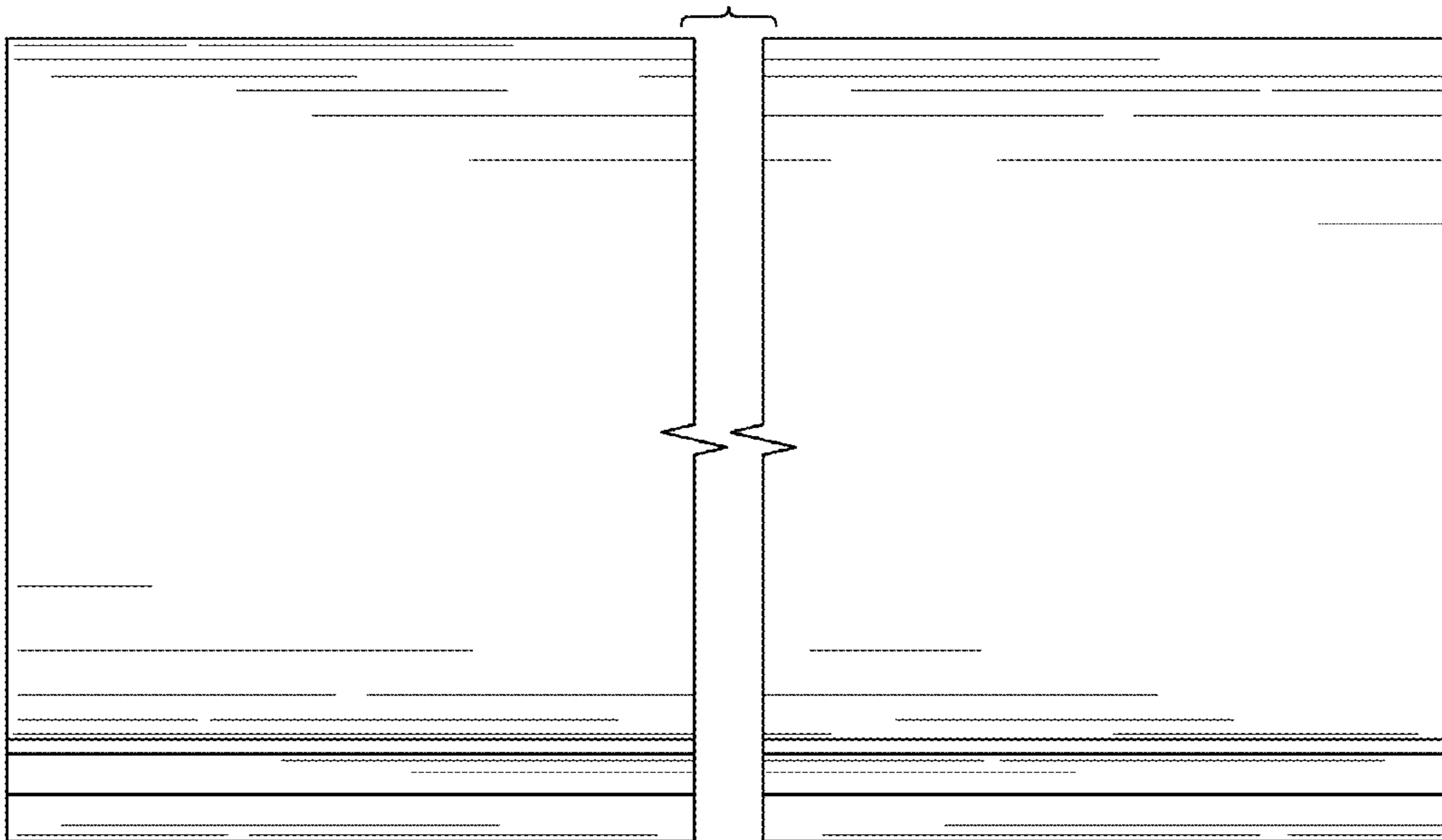


FIG. 4

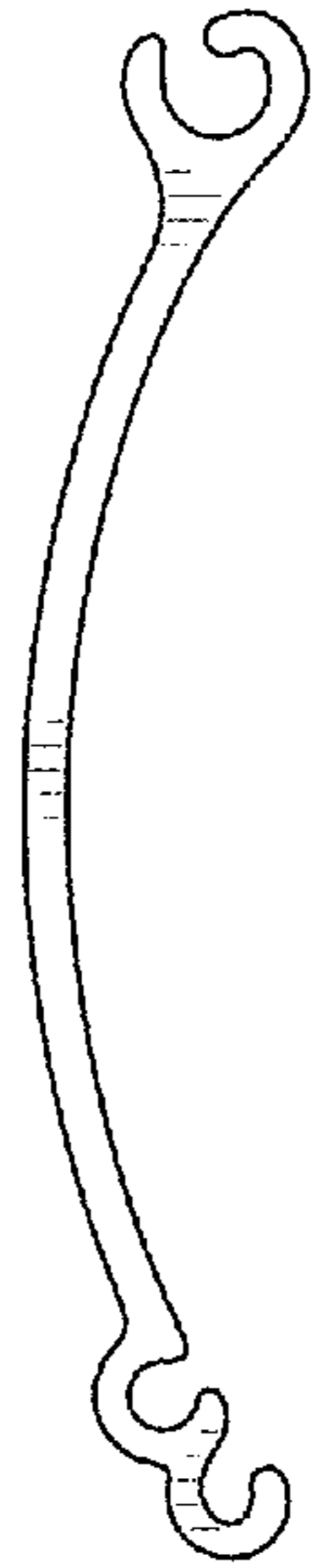


FIG. 5



FIG. 6

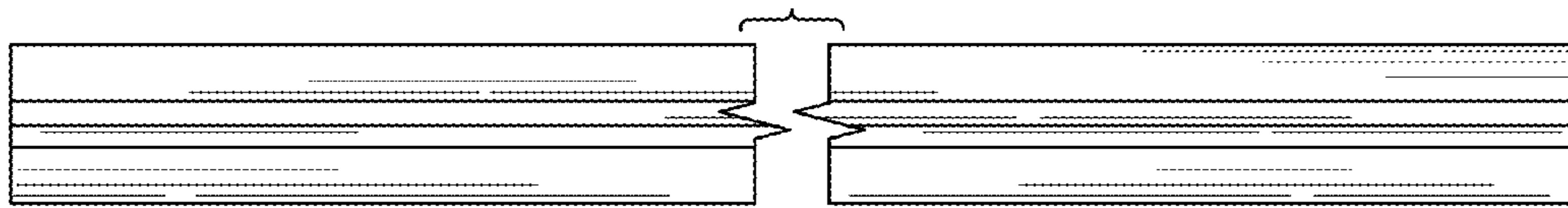


FIG. 7

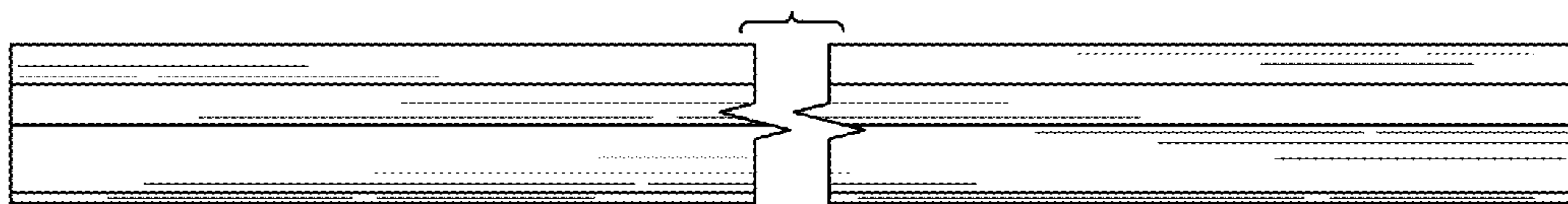


FIG. 8