



US00D750273S

(12) **United States Design Patent**
Kasprowicz

(10) **Patent No.:** **US D750,273 S**

(45) **Date of Patent:** **** Feb. 23, 2016**

- (54) **INSULATED LAY DOWN HUNTING BLIND**
- (71) Applicant: **Jakob Kasprowicz**, Turtle Lake, ND
(US)
- (72) Inventor: **Jakob Kasprowicz**, Turtle Lake, ND
(US)
- (**) Term: **14 Years**
- (21) Appl. No.: **29/502,956**
- (22) Filed: **Sep. 22, 2014**
- (51) **LOC (10) Cl.** **25-03**
- (52) **U.S. Cl.**
USPC **D25/16**
- (58) **Field of Classification Search**
USPC D6/657, 661, 661.3, 672-674, 686;
D14/900, 902; D25/1, 2, 13, 15-20,
D25/22, 24, 25, 31-33
CPC A01G 9/14; A01M 31/025; E01F 5/005;
E04B 1/342; E04B 1/343; E04B 1/348;
E04H 1/02; E04H 1/06; E04H 1/12; E04H
1/1222; E04H 1/1244; E04H 1/1266; E04H
1/1272; E04H 1/14; E04H 3/16; E04H 4/00;
E04H 4/148; E02D 17/04
See application file for complete search history.

- 3,812,616 A * 5/1974 Koziol A01G 9/16
135/117
- 4,723,371 A * 2/1988 Williams A01M 31/025
135/127
- 4,751,936 A 6/1988 Zibble et al.
- 4,884,589 A * 12/1989 Simpson E04H 15/001
135/117
- D405,890 S 2/1999 Latschaw
- D485,706 S * 1/2004 O'Connell D7/388
- 6,698,131 B2 3/2004 Latschaw
- 7,237,283 B2 7/2007 Devries
- 7,549,434 B2 6/2009 Bean
- 8,381,750 B2 2/2013 Desouches et al.
- D712,994 S * 9/2014 Larson D21/838
- D737,994 S * 9/2015 Galloway D25/16
- 2013/0146113 A1 * 6/2013 Hawk, III A01M 31/025
135/143
- 2013/0291916 A1 11/2013 Parsons

* cited by examiner

Primary Examiner — Eric Goodman
Assistant Examiner — Clare Ann Gannon
(74) *Attorney, Agent, or Firm* — Robert C. Montgomery;
Montgomery Patent and Design, LP.

(57) **CLAIM**
The ornamental design for an insulated lay down hunting blind, as shown and described.

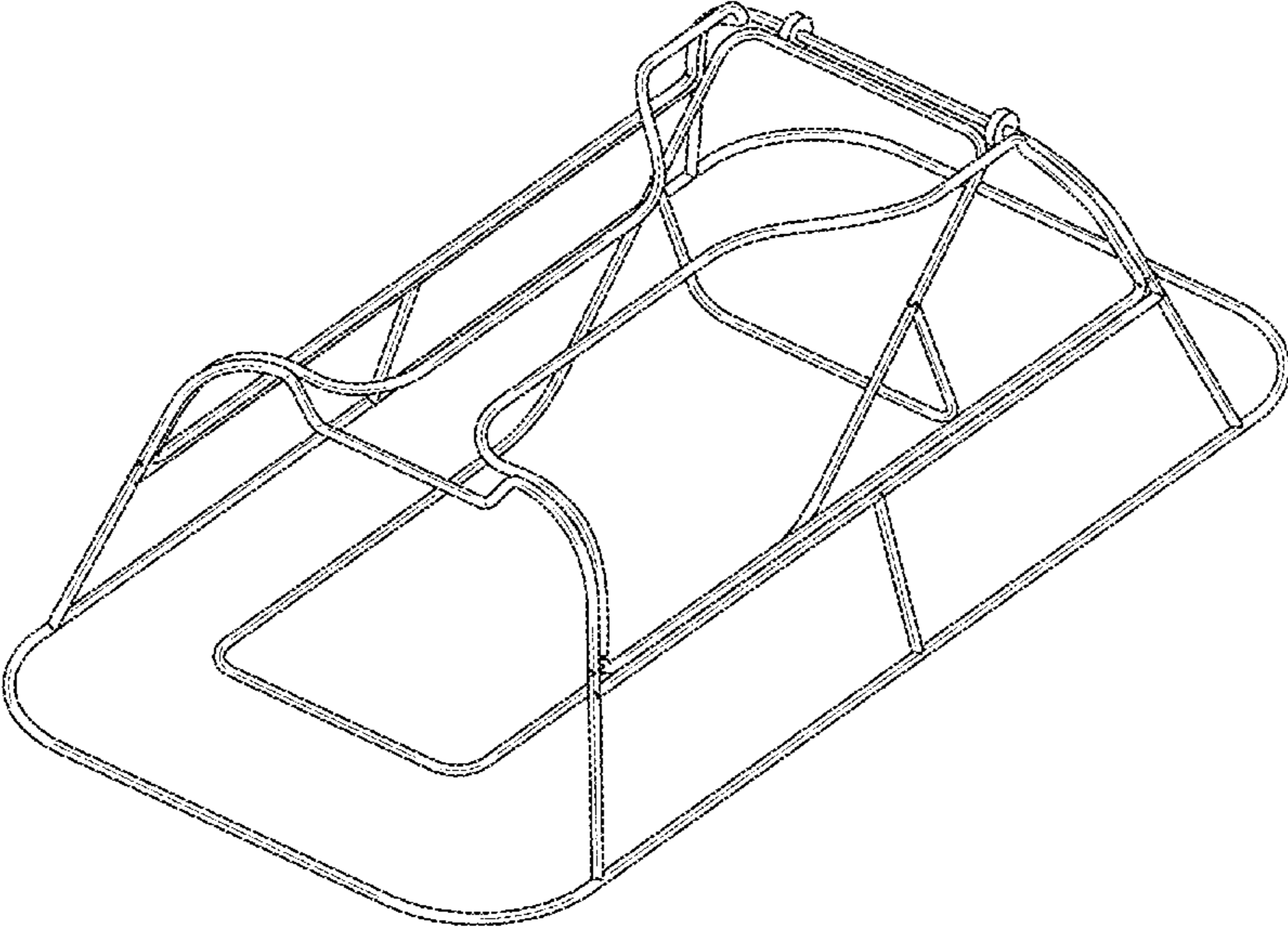
(56) **References Cited**

- U.S. PATENT DOCUMENTS
- 1,966,561 A * 7/1934 Ratta, Jr. E04H 15/58
135/116
- 3,027,189 A * 3/1962 Scott E04H 15/001
135/116
- 3,323,530 A * 6/1967 Smith A01M 31/00
135/115
- 3,609,905 A * 10/1971 Fuhrman et al. A01M 31/00
135/901
- 3,799,608 A * 3/1974 Smutny E04H 1/1205
135/115

DESCRIPTION

FIG. 1 is a perspective front view of the insulated lay down hunting blind, showing my new design;
FIG. 2 is a front view thereof;
FIG. 3 is a back view thereof;
FIG. 4 is a left side view thereof, wherein a right side is a mirror image thereof;
FIG. 5 is a top view thereof; and,
FIG. 6 is a bottom view thereof.

1 Claim, 6 Drawing Sheets



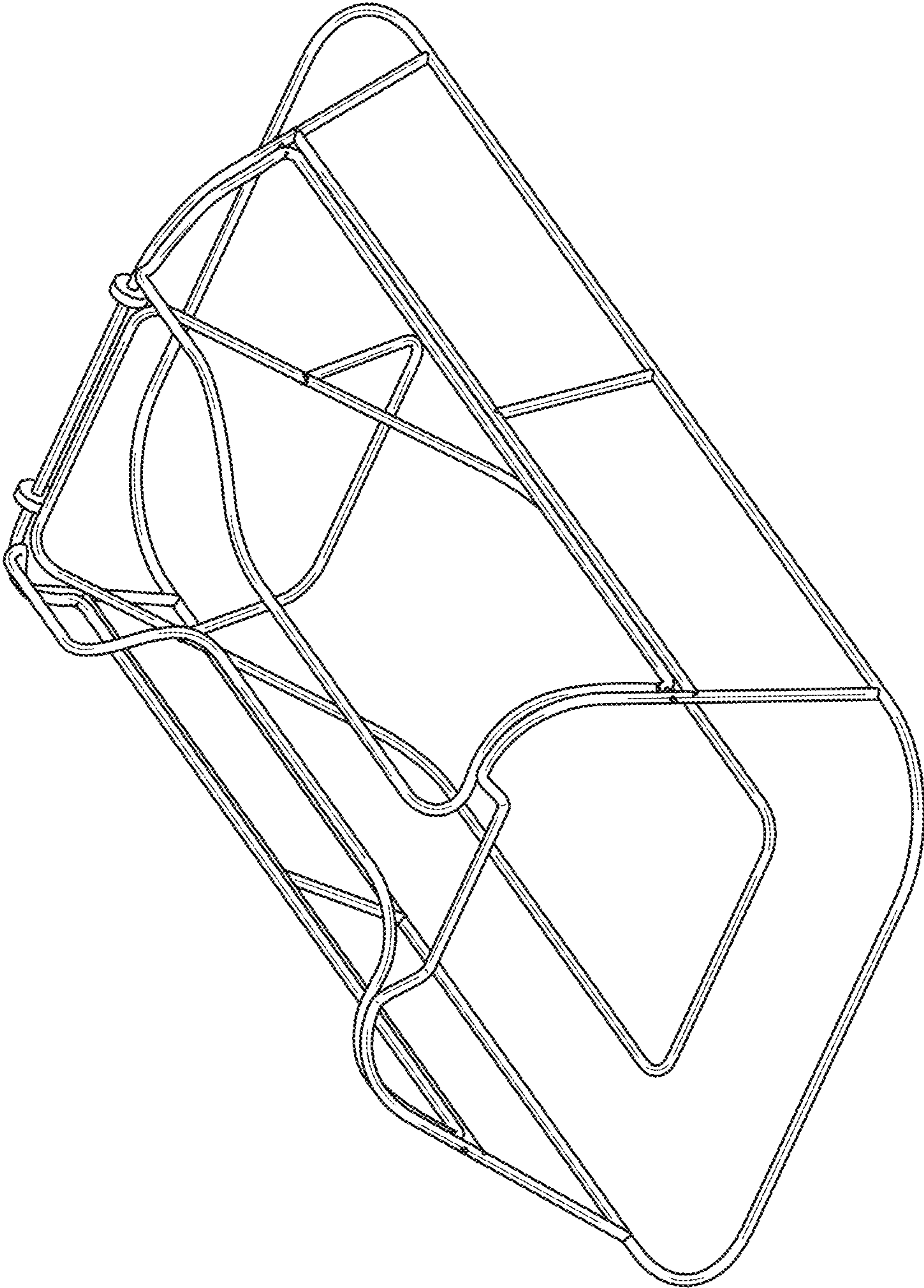


Fig. 1

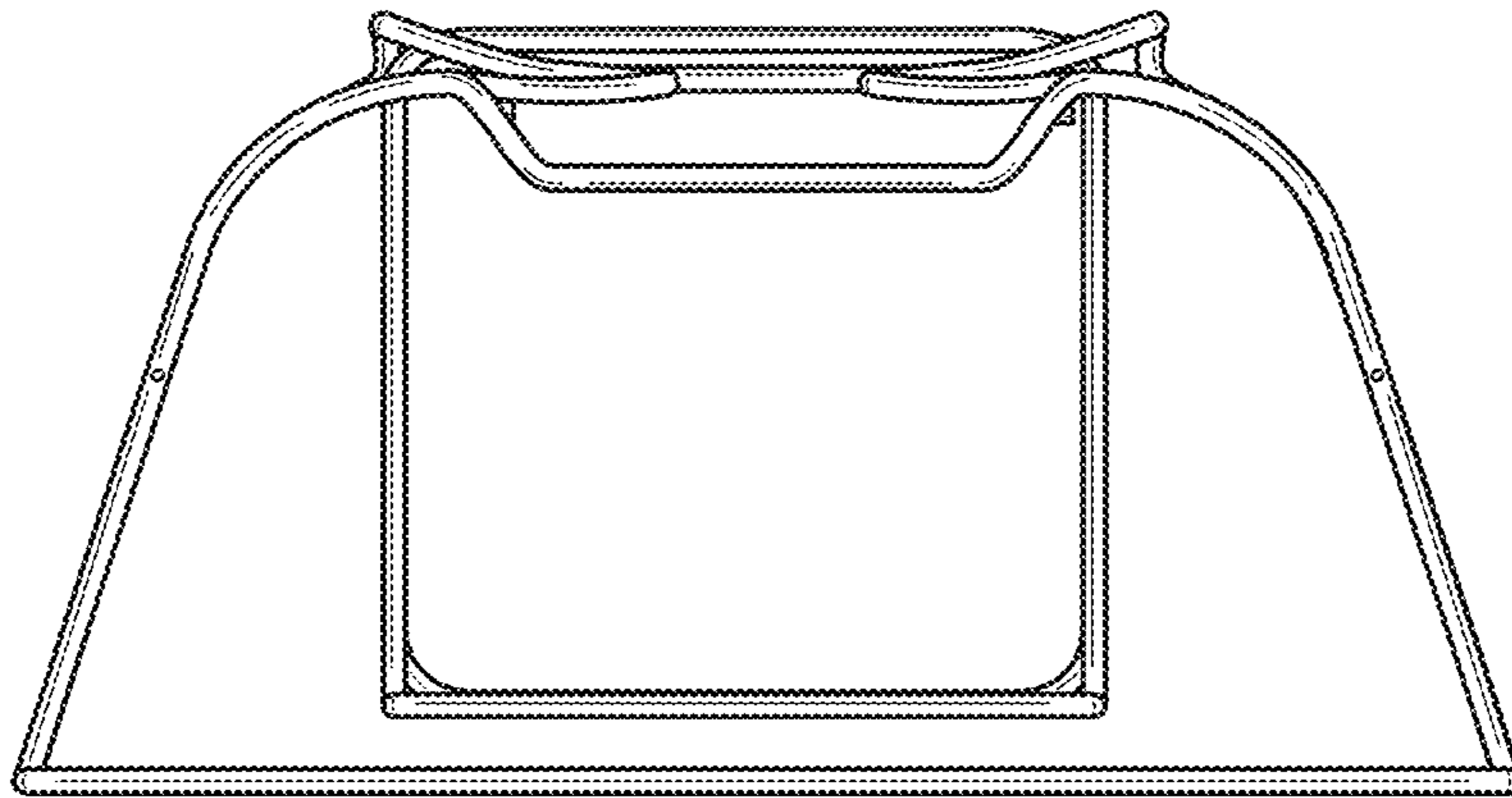


Fig. 2

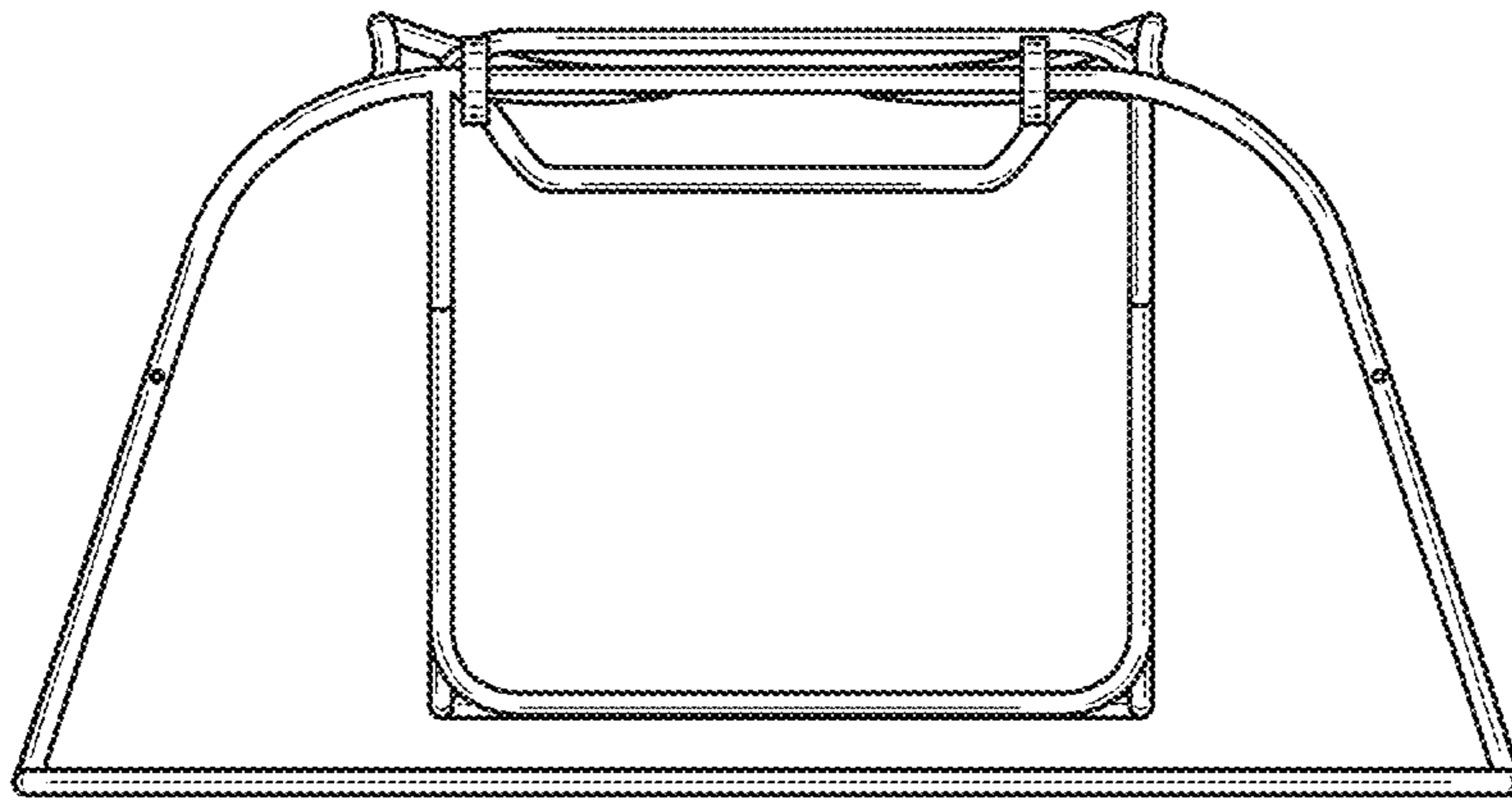


Fig. 3

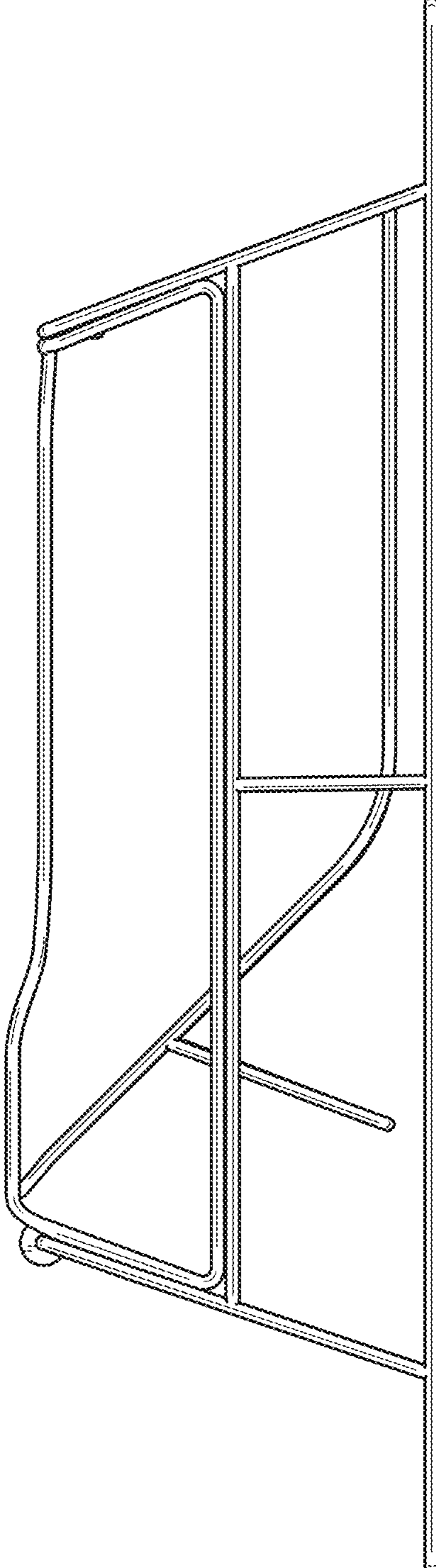


Fig. 4

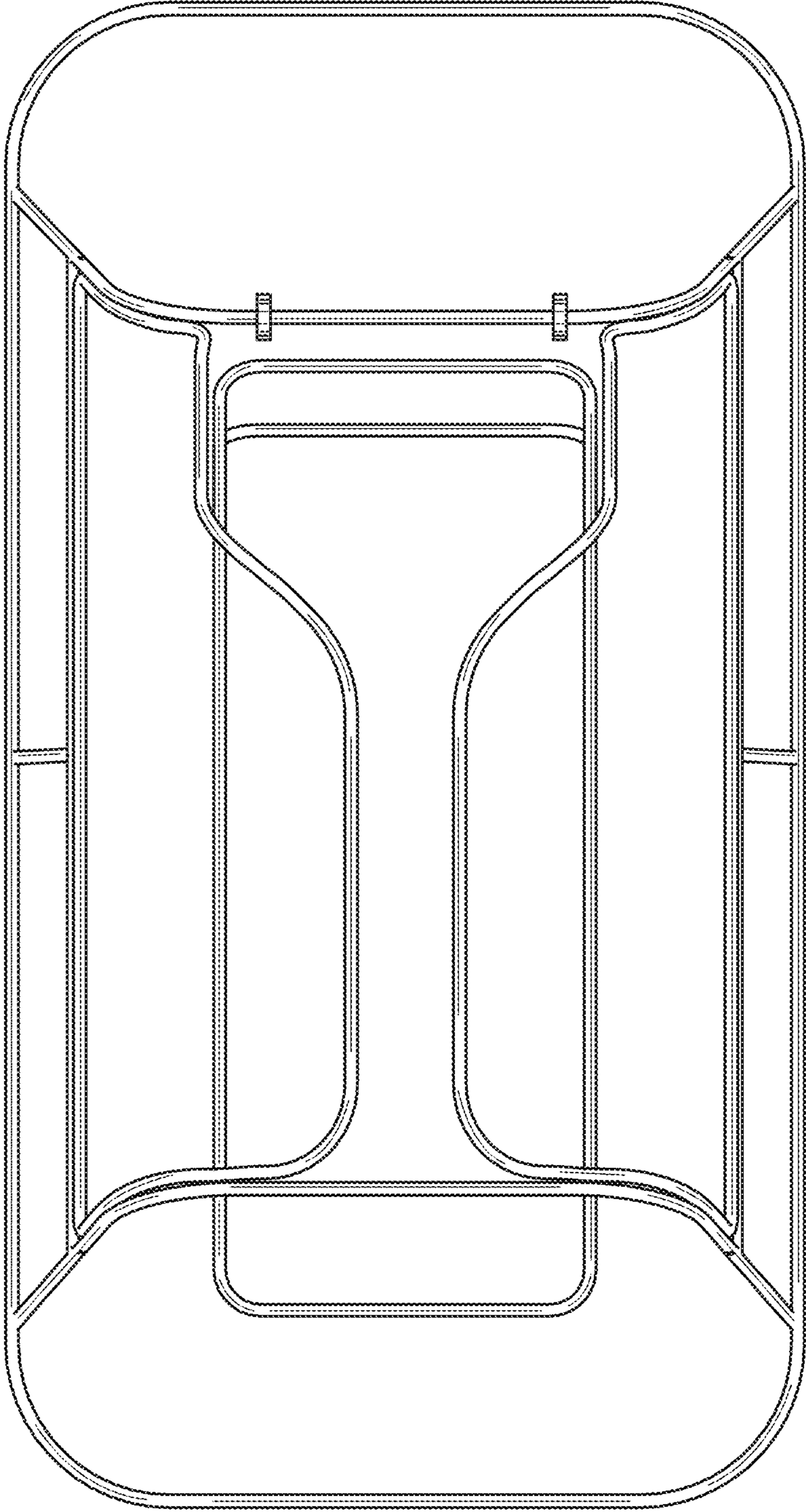


Fig. 5

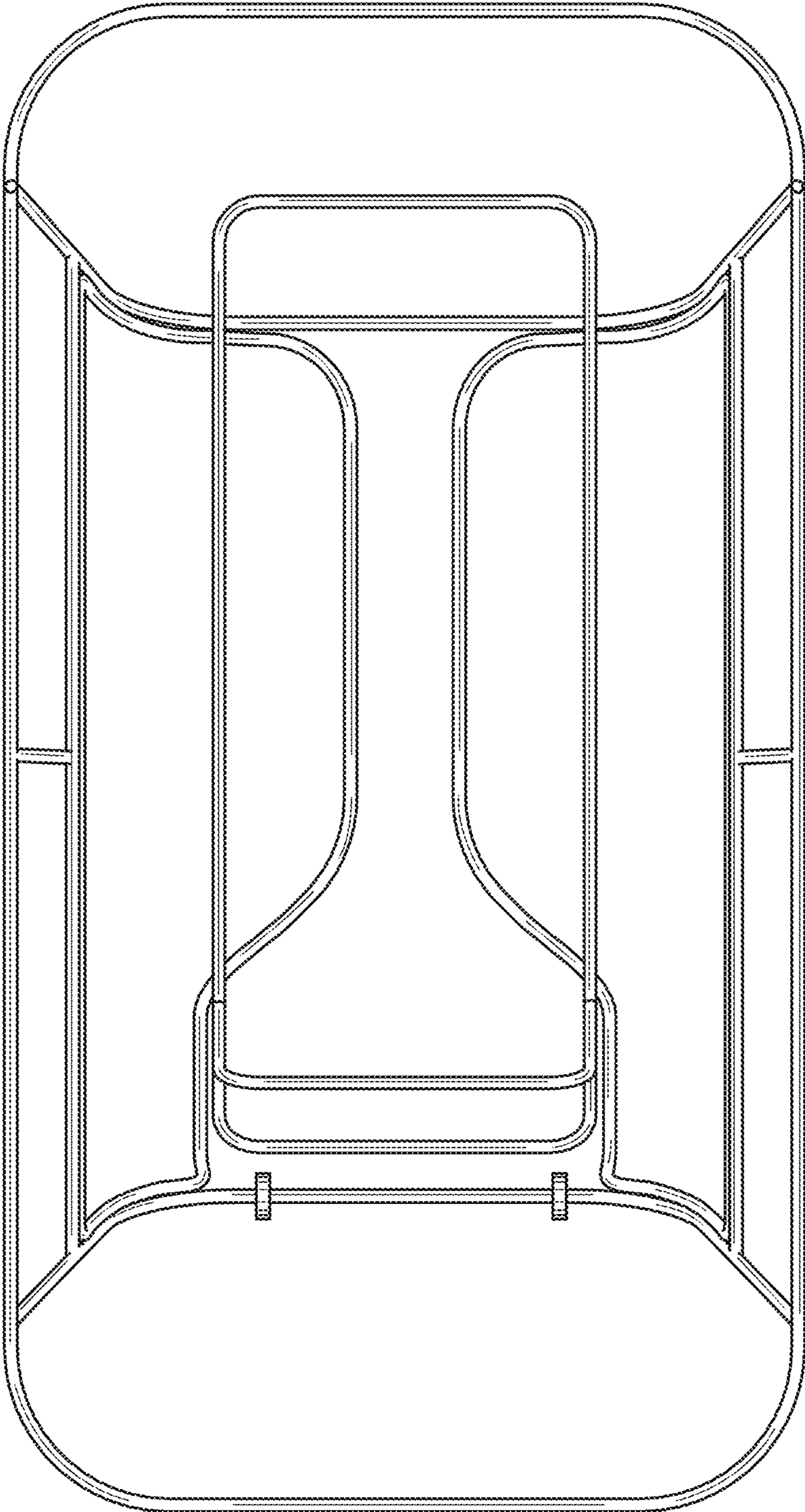


Fig. 6