



US00D750272S

(12) **United States Design Patent**
Hage et al.

(10) **Patent No.:** **US D750,272 S**

(45) **Date of Patent:** **** Feb. 23, 2016**

- (54) **SAMPLE BASIN**
- (71) Applicant: **Illumina, Inc.**, San Diego, CA (US)
- (72) Inventors: **Matthew Hage**, San Diego, CA (US);
Kenneth M. Kuhn, San Diego, CA (US);
Brad Drews, San Diego, CA (US);
Keith Wyshak, San Diego, CA (US);
Tim Blauwkamp, San Diego, CA (US)
- (73) Assignee: **Illumina, Inc.**, San Diego, CA (US)
- (**) Term: **14 Years**
- (21) Appl. No.: **29/476,718**
- (22) Filed: **Dec. 16, 2013**
- (51) **LOC (10) Cl.** **24-02**
- (52) **U.S. Cl.**
USPC **D24/224**
- (58) **Field of Classification Search**
USPC D24/123, 121, 216, 223–223; 422/500,
422/503, 547, 551, 554, 560, 565–566;
206/557; D3/304, 309, 203.1, 203.3;
D7/550.1, 554.3, 554.4; D6/683.1;
220/571; D9/434; D19/90, 92;
D13/154; D23/290, 304; 4/251.1, 613,
4/619; 52/35; 174/541
CPC F21V 23/04; A47L 15/4212; A47K 3/40;
A47K 3/008; E03C 1/18; B01L 2300/0816;
B01L 3/50825; B01L 3/5085; B01L 9/06;
B01L 9/00; G01N 35/1002; A61B 5/1427;
B65D 1/34
See application file for complete search history.

- D300,245 S * 3/1989 Navarro D24/229
- D359,125 S * 6/1995 Livingston D24/223
- 5,452,739 A * 9/1995 Mustee A47L 15/4212
4/251.1
- D464,324 S * 10/2002 Hwang D13/154
- D476,747 S * 7/2003 Savion D24/216
- D487,518 S * 3/2004 Ganz D24/227
- D527,808 S * 9/2006 Wozniczka D23/290
- D540,926 S * 4/2007 Flores D23/304
- D642,789 S * 8/2011 Cooper D3/203.3
- D674,216 S * 1/2013 Erickson D6/683.1
- D694,904 S * 12/2013 Banes D24/224
- D696,419 S * 12/2013 Fusellier D24/230
- 8,789,316 B2 * 7/2014 Cook A47K 3/008
52/35
- D710,442 S * 8/2014 Stravitz D19/90
- D729,404 S * 5/2015 Teich D24/230
- 2004/0034922 A1 * 2/2004 Grayson A47K 3/40
4/613
- 2004/0181870 A1 * 9/2004 Bohacik E03C 1/18
4/619

* cited by examiner

Primary Examiner — T. Chase Nelson

Assistant Examiner — Mark Cavanna

(74) *Attorney, Agent, or Firm* — Knobbe Martens Olson & Bear LLP

(57) **CLAIM**

The ornamental design for a sample basin, as shown and described.

DESCRIPTION

FIG. 1 is a perspective view of a sample basin in accordance with the present invention.

FIG. 2 is a top view of the sample basin of FIG. 1.

FIG. 3 is a bottom view of the sample basin of FIG. 1.

FIG. 4 is a front view of the sample basin of FIG. 1.

FIG. 5 is a back view of the sample basin of FIG. 1.

FIG. 6 is a left end view of the sample basin of FIG. 1; and,

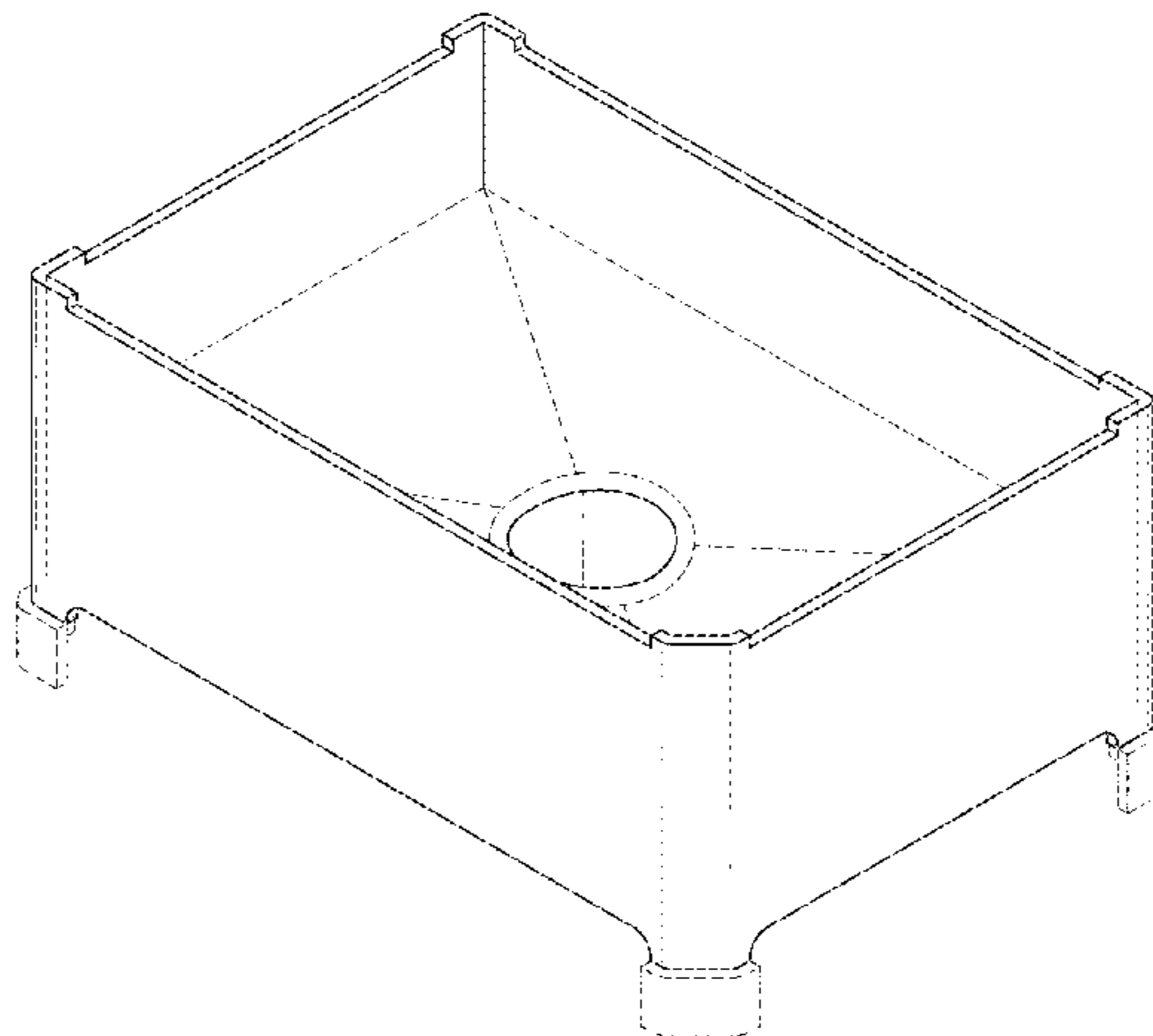
FIG. 7 is a right end view of the sample basin of FIG. 1.

Broken lines are used to illustrate features of the sample basin which form no part of the claimed design.

1 Claim, 5 Drawing Sheets

(56) **References Cited**
U.S. PATENT DOCUMENTS

- D243,259 S * 2/1977 Martin, Jr. D24/224
- D265,294 S * 7/1982 Austin D9/434
- D269,702 S * 7/1983 Suovaniemi D24/226
- D285,118 S * 8/1986 Huang D24/226
- D290,059 S * 5/1987 Kirchner D19/92
- 4,791,290 A * 12/1988 Noone F21V 23/04
174/541



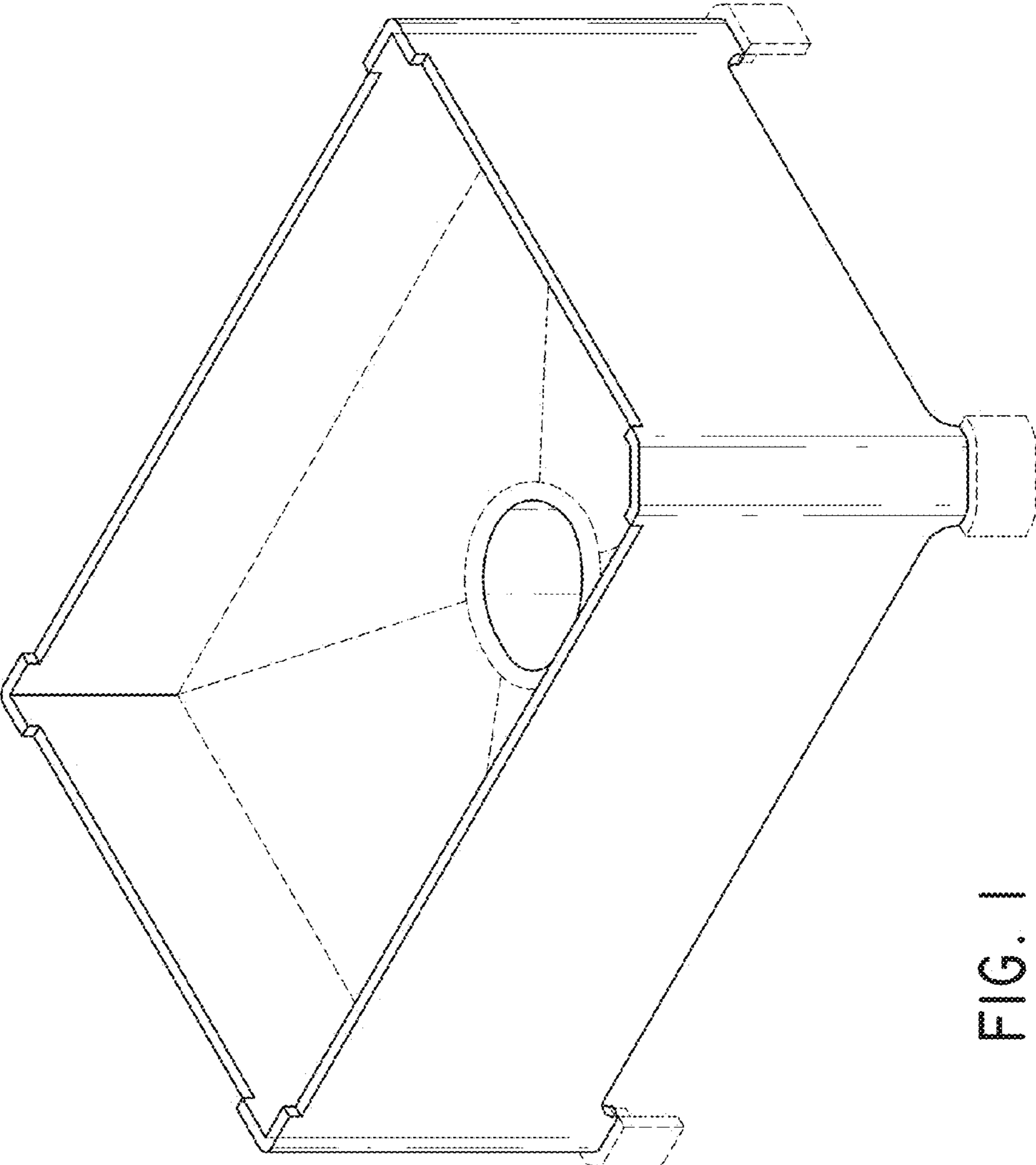


FIG. 1

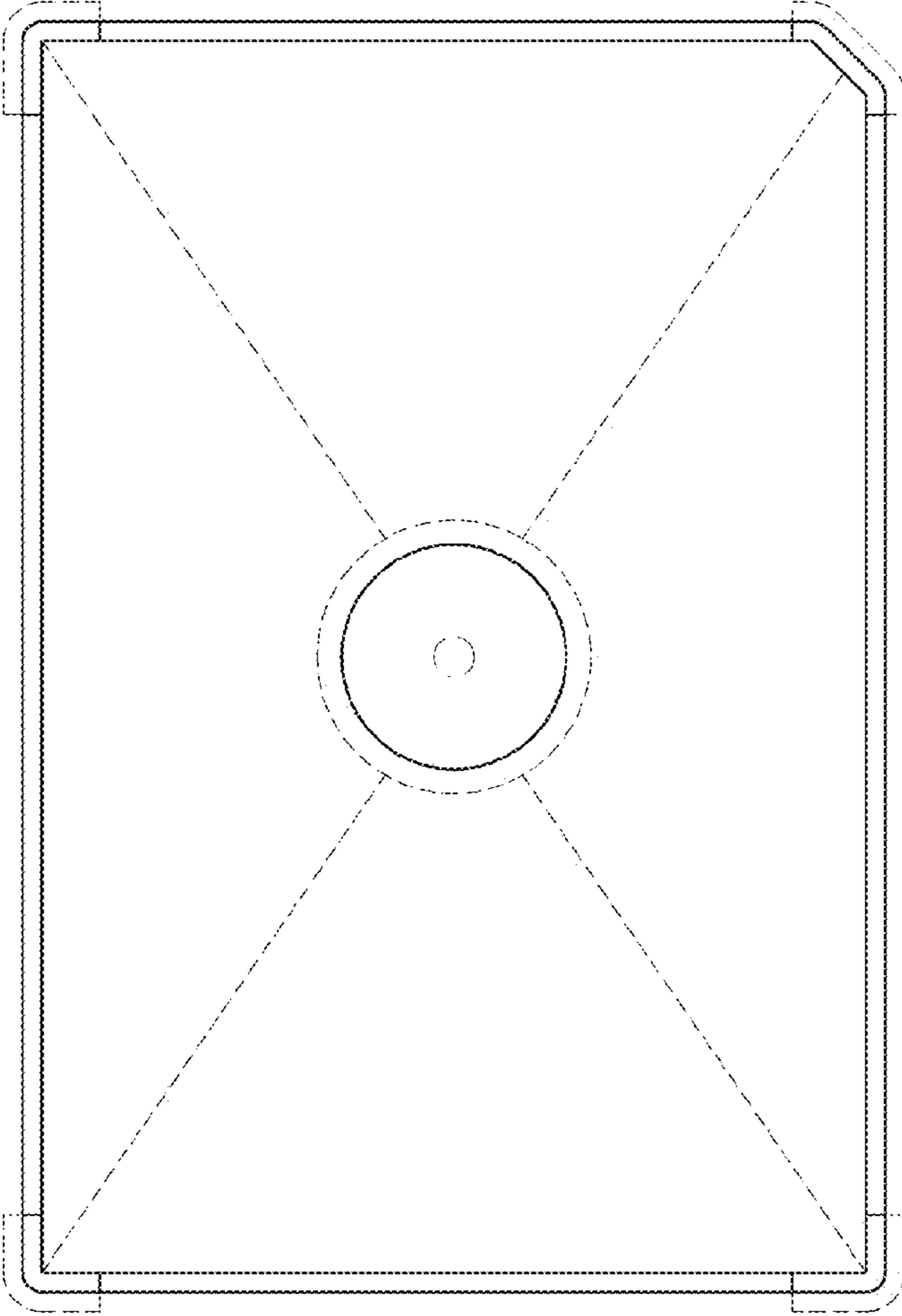


FIG. 2

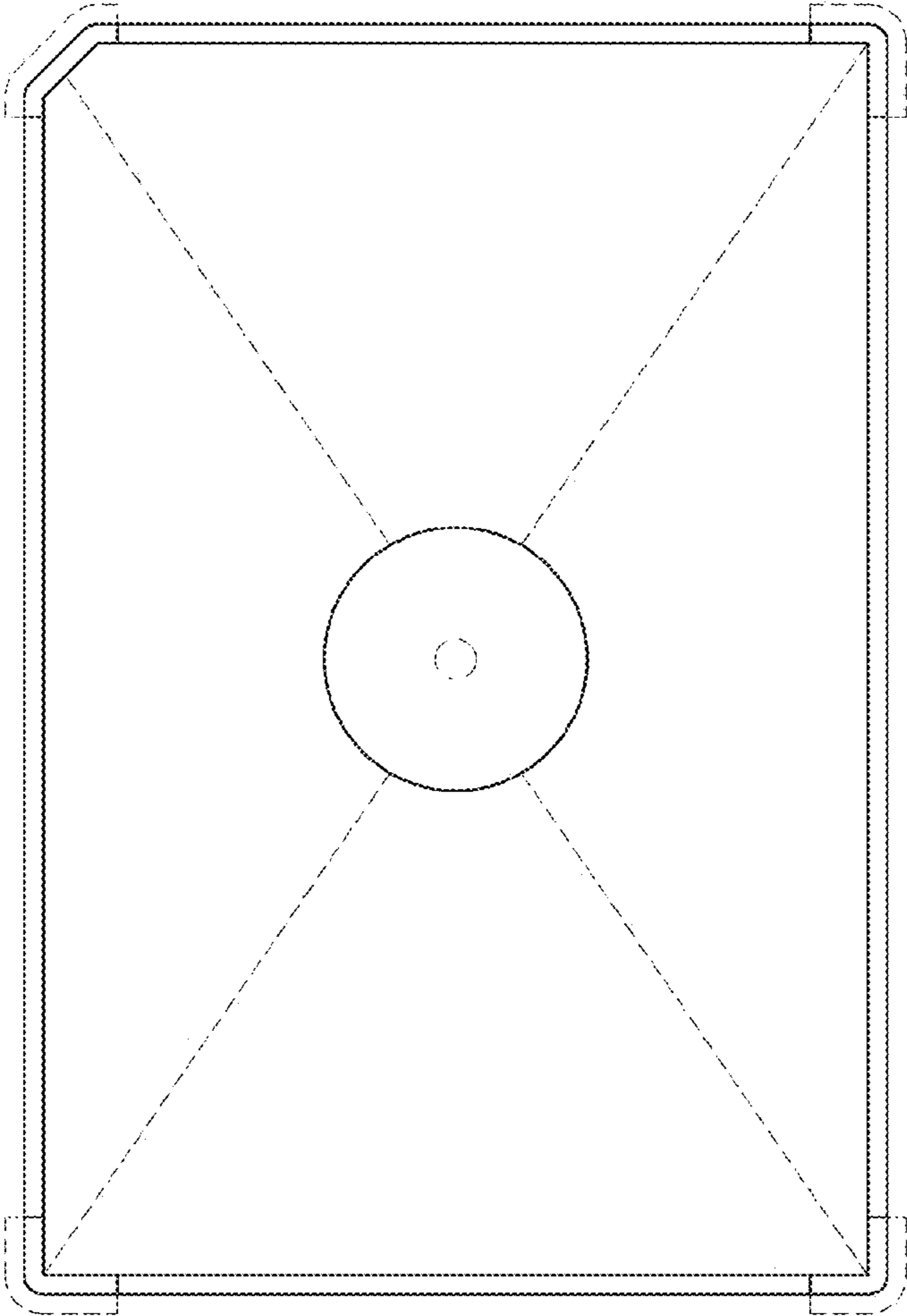


FIG. 3

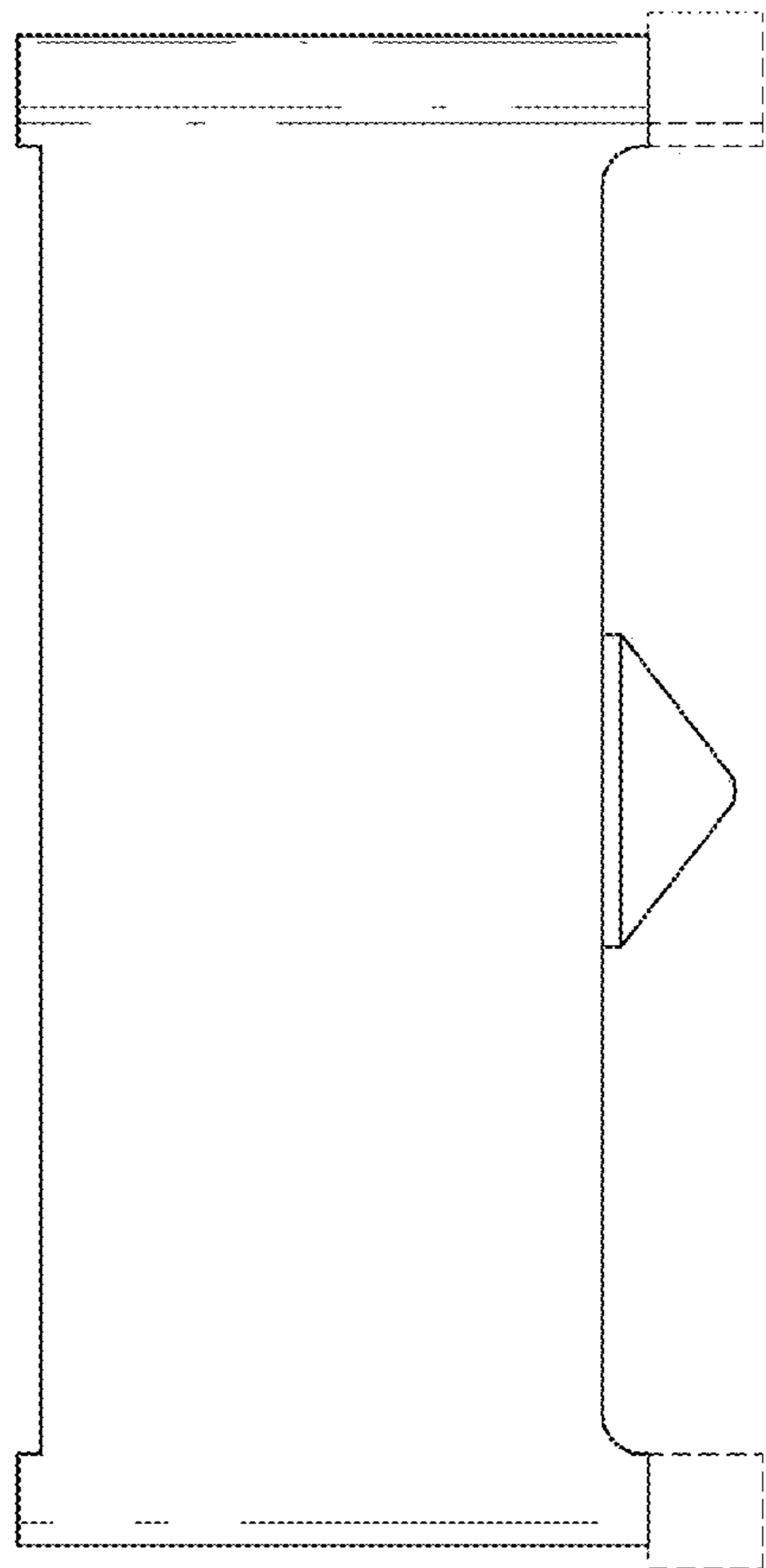


FIG. 4

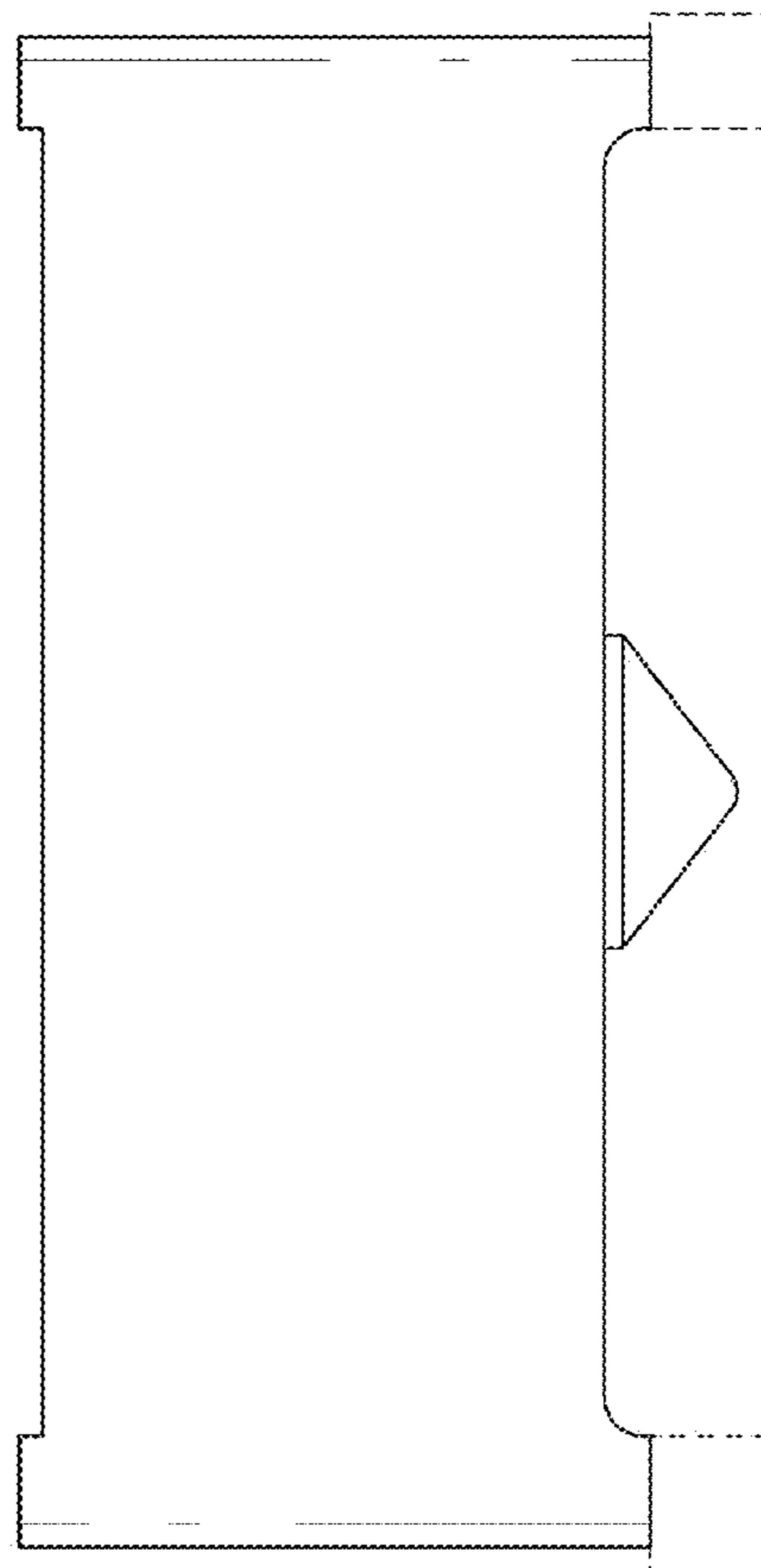


FIG. 5

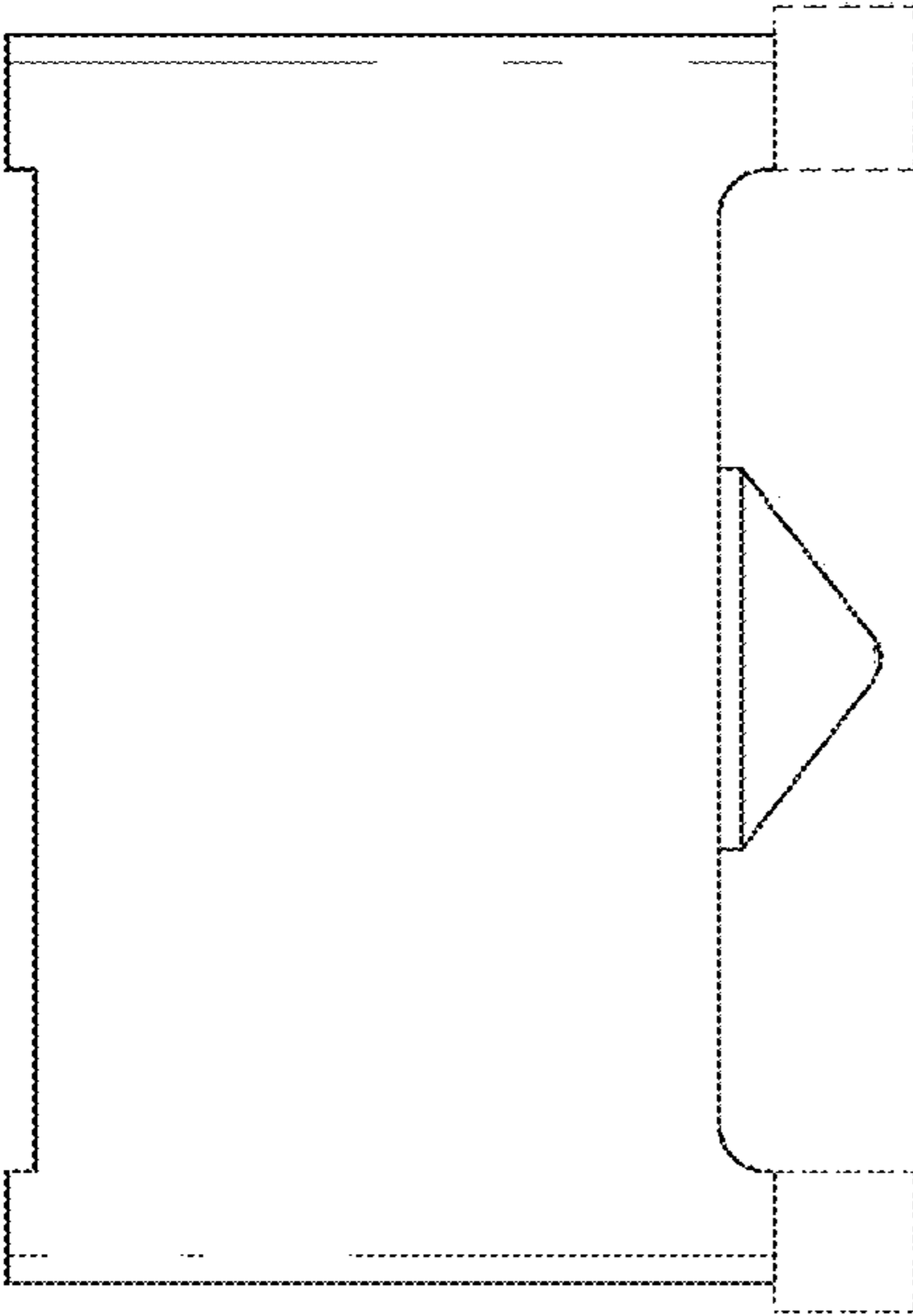


FIG. 6

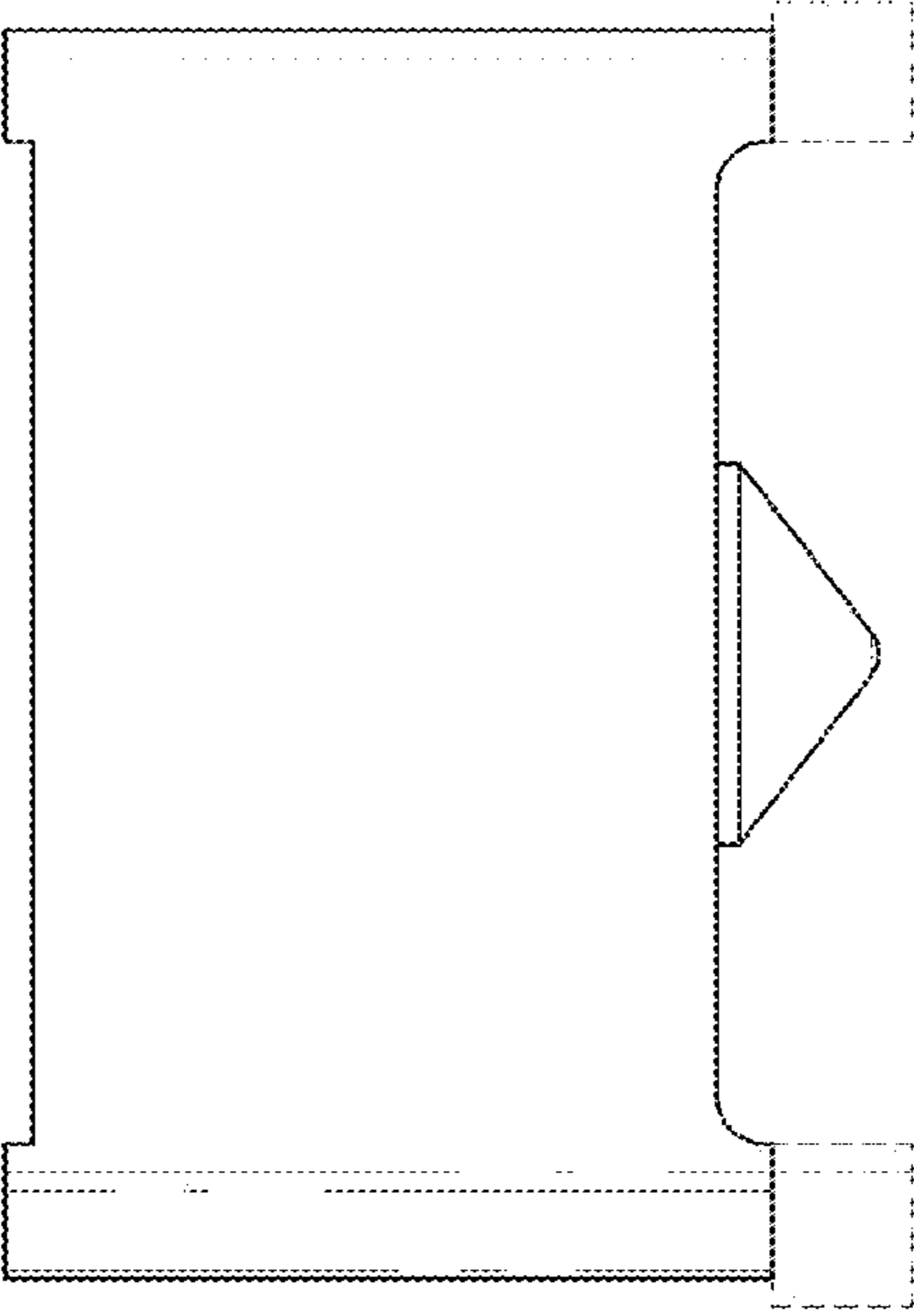


FIG. 7