



US00D750269S

(12) **United States Design Patent**  
**Cox et al.**

(10) **Patent No.:** **US D750,269 S**  
(45) **Date of Patent:** **\*\* Feb. 23, 2016**

(54) **LIGHT TREATMENT APPARATUS**

(71) Applicant: **PHOTOCURE ASA**, Oslo (NO)

(72) Inventors: **Michael John Cox**, Herts (GB); **Morten Groseth**, Oslo (NO); **Alan Edward Green**, Cambridge (GB); **Bjørn Klem**, Oslo (NO); **Robin Michael Lee**, Cambridge (GB); **Euan Morrison**, Cambridge (GB)

(73) Assignee: **Photocure ASA**, Oslo (NO)

(\*\*) Term: **14 Years**

(21) Appl. No.: **29/469,340**

(22) Filed: **Oct. 9, 2013**

(30) **Foreign Application Priority Data**

Apr. 9, 2013 (EM) ..... 0013682860001  
Apr. 9, 2013 (EM) ..... 0013682860002  
Apr. 9, 2013 (EM) ..... 0013682860003

(51) **LOC (10) Cl.** ..... **24-02**

(52) **U.S. Cl.**  
USPC ..... **D24/209**

(58) **Field of Classification Search**  
USPC ..... D24/158, 200, 209, 210, 231, 107, 133,  
D24/135, 137, 232; 606/9, 33, 2, 13, 14, 17;  
607/88-94; D28/9, 99; 604/20, 21;  
600/473, 476  
See application file for complete search history.

(56) **References Cited**

**U.S. PATENT DOCUMENTS**

4,953,549 A \* 9/1990 Mori ..... 607/88  
D384,430 S \* 9/1997 Lecluze ..... D26/24  
D405,532 S \* 2/1999 Melendez ..... D24/200  
D441,456 S \* 5/2001 Thiberg ..... D24/210

D490,529 S \* 5/2004 Yang ..... D24/200  
D519,214 S \* 4/2006 Lansohn ..... D24/210  
D576,285 S \* 9/2008 Kennedy ..... D24/209  
D707,839 S \* 6/2014 Bradley et al. .... D24/209  
2011/0295186 A1\* 12/2011 Klem ..... 604/20  
2012/0226268 A1\* 9/2012 Liu et al. .... 606/9

**FOREIGN PATENT DOCUMENTS**

WO 2010/078929 A1 7/2010

**OTHER PUBLICATIONS**

Klem et al., Development of an intravaginal device for PDT of cervical neoplasia, 8th International Symposium on Phytodynamic Therapy and Photodiagnosis in Clinical Practice, Brixen, Ital, Oct. 6-9, 2010.

Toverud Cevira device, artist's drawing, published Jan. 2011.  
Photocure website photo, Picture of Cevira® device, appeared on Photocure ASA website (www.photocure.com) before Apr. 9, 2013.

\* cited by examiner

*Primary Examiner* — Anhdao Doan

(74) *Attorney, Agent, or Firm* — Kenyon & Kenyon LLP

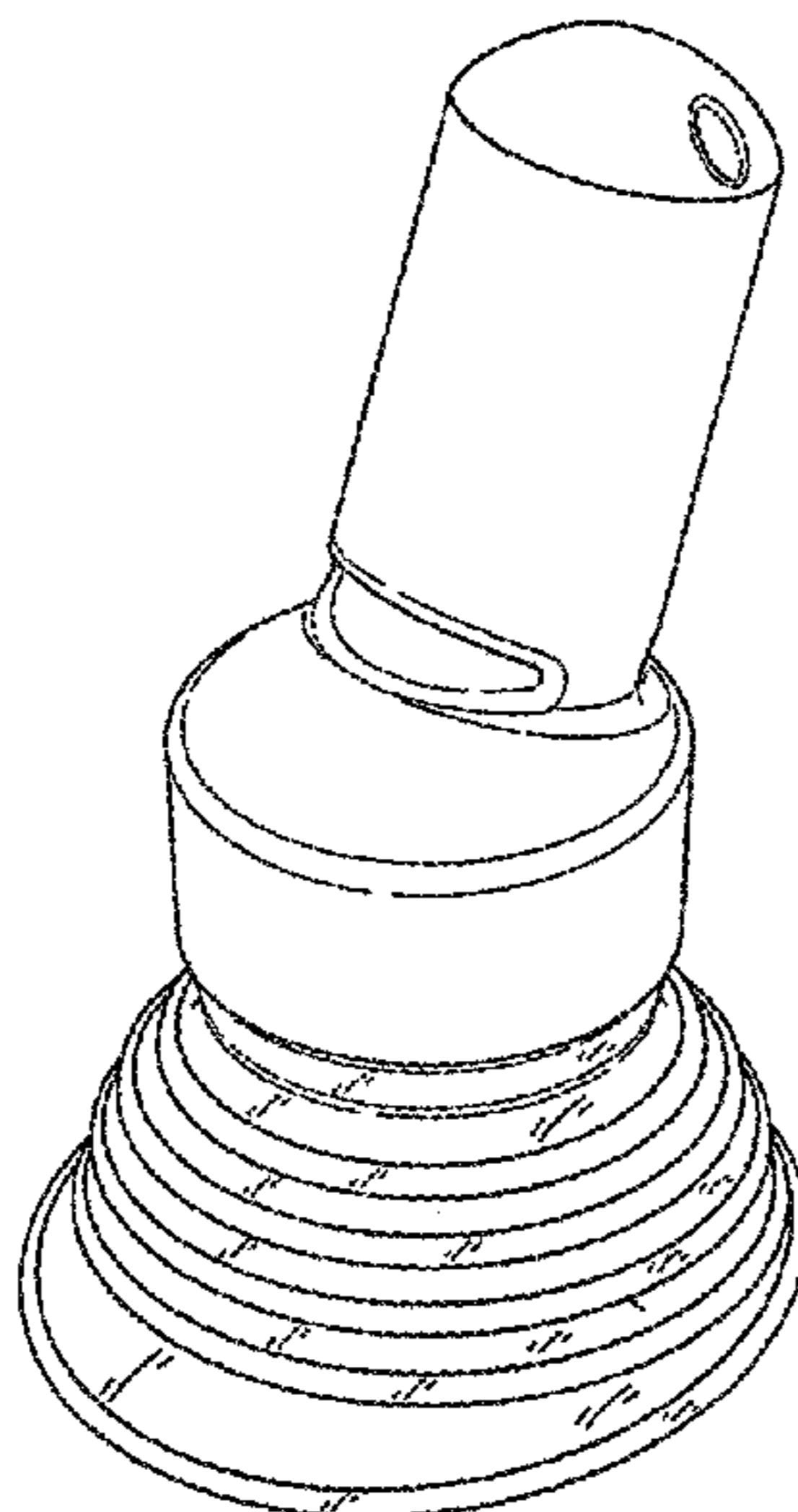
(57) **CLAIM**

The ornamental design for a light treatment apparatus, as shown and described.

**DESCRIPTION**

FIG. 1 is a top perspective view of a second embodiment of a light treatment apparatus showing my new design;  
FIG. 2 is a bottom perspective view thereof;  
FIG. 3 is a front view thereof;  
FIG. 4 is a rear view thereof;  
FIG. 5 is a left side view thereof;  
FIG. 6 is a top view thereof;  
FIG. 7 is a bottom view thereof; and,  
FIG. 8 is a right side view thereof.

**1 Claim, 8 Drawing Sheets**



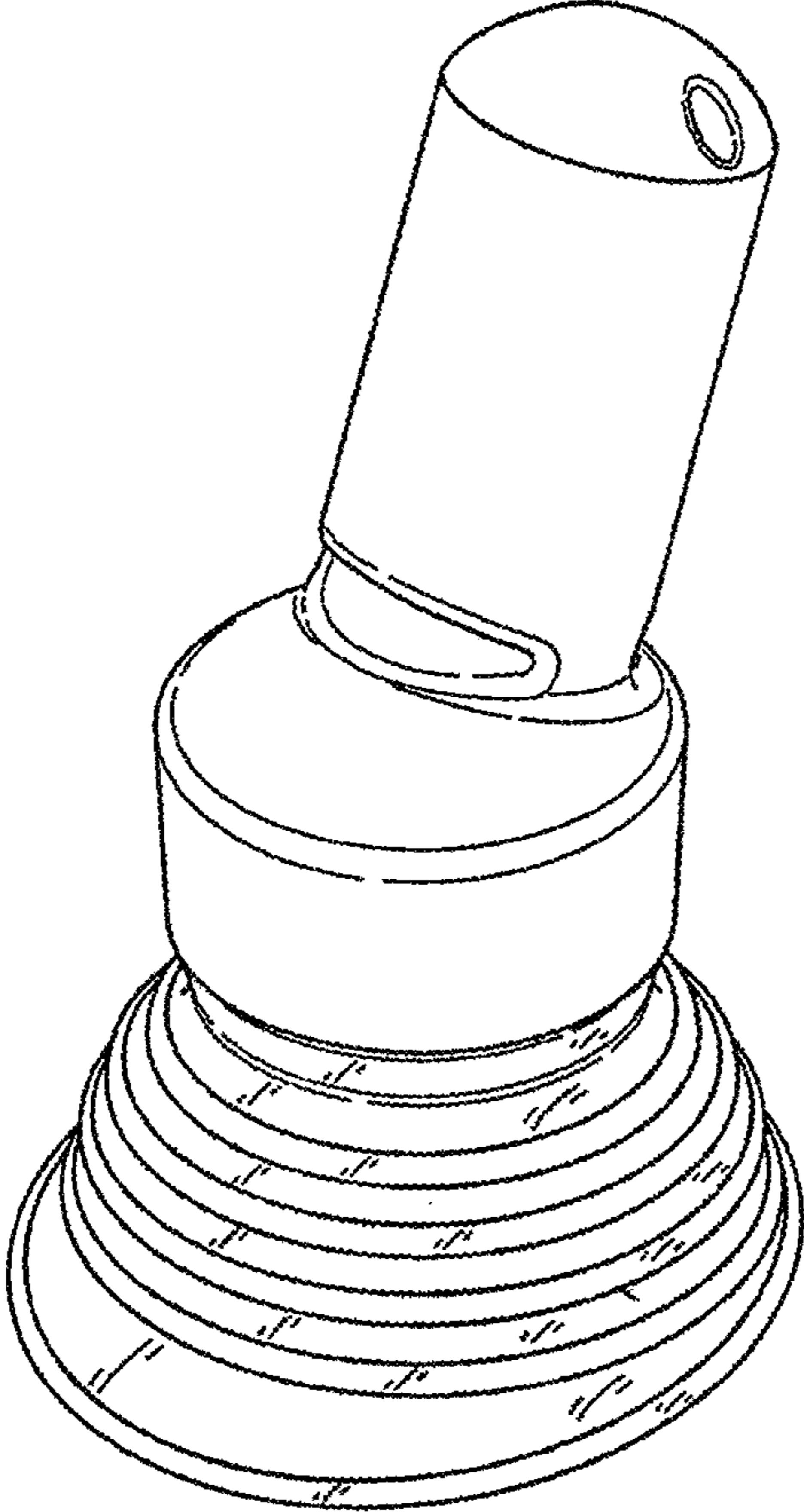


Fig. 1

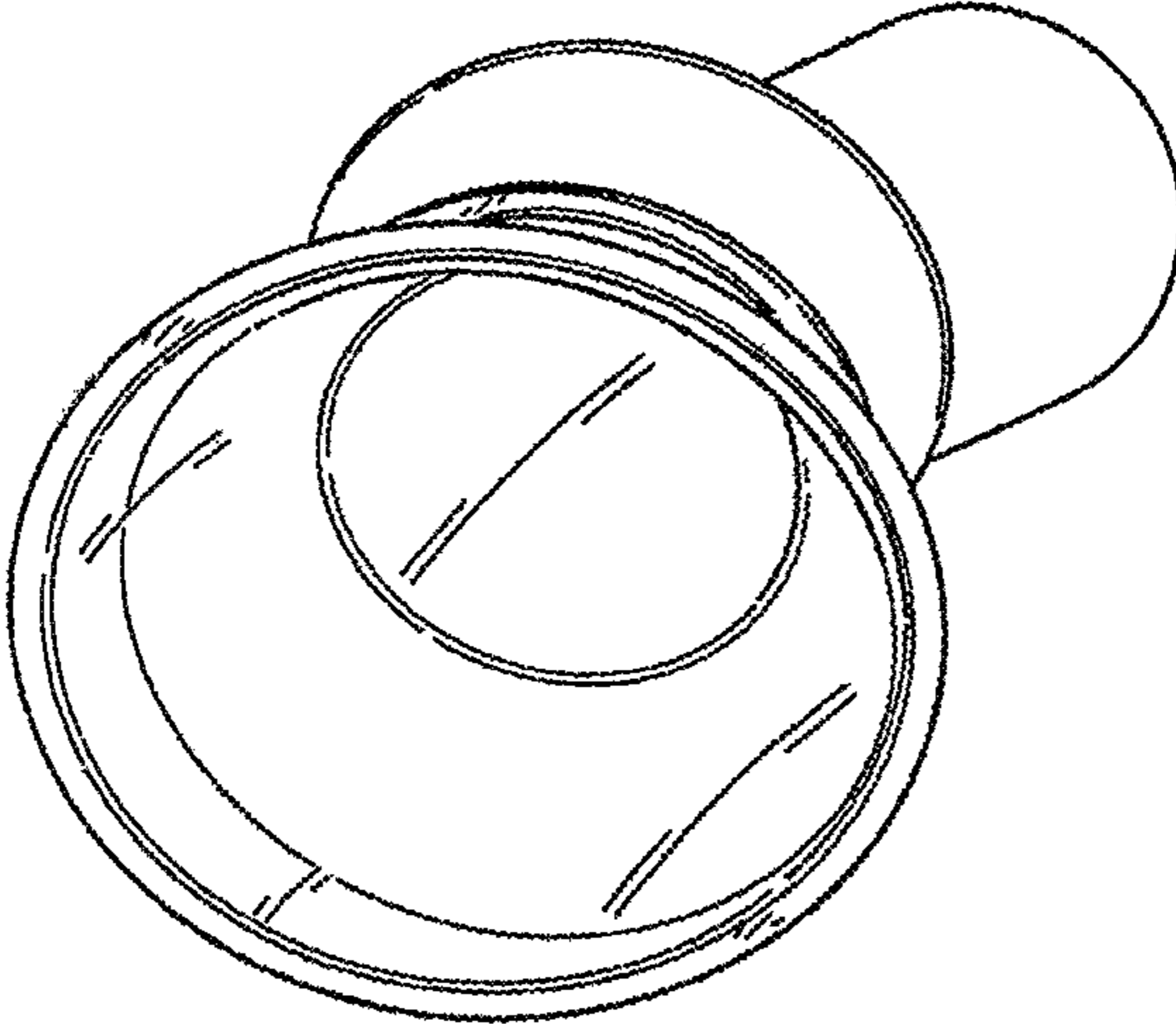


Fig. 2

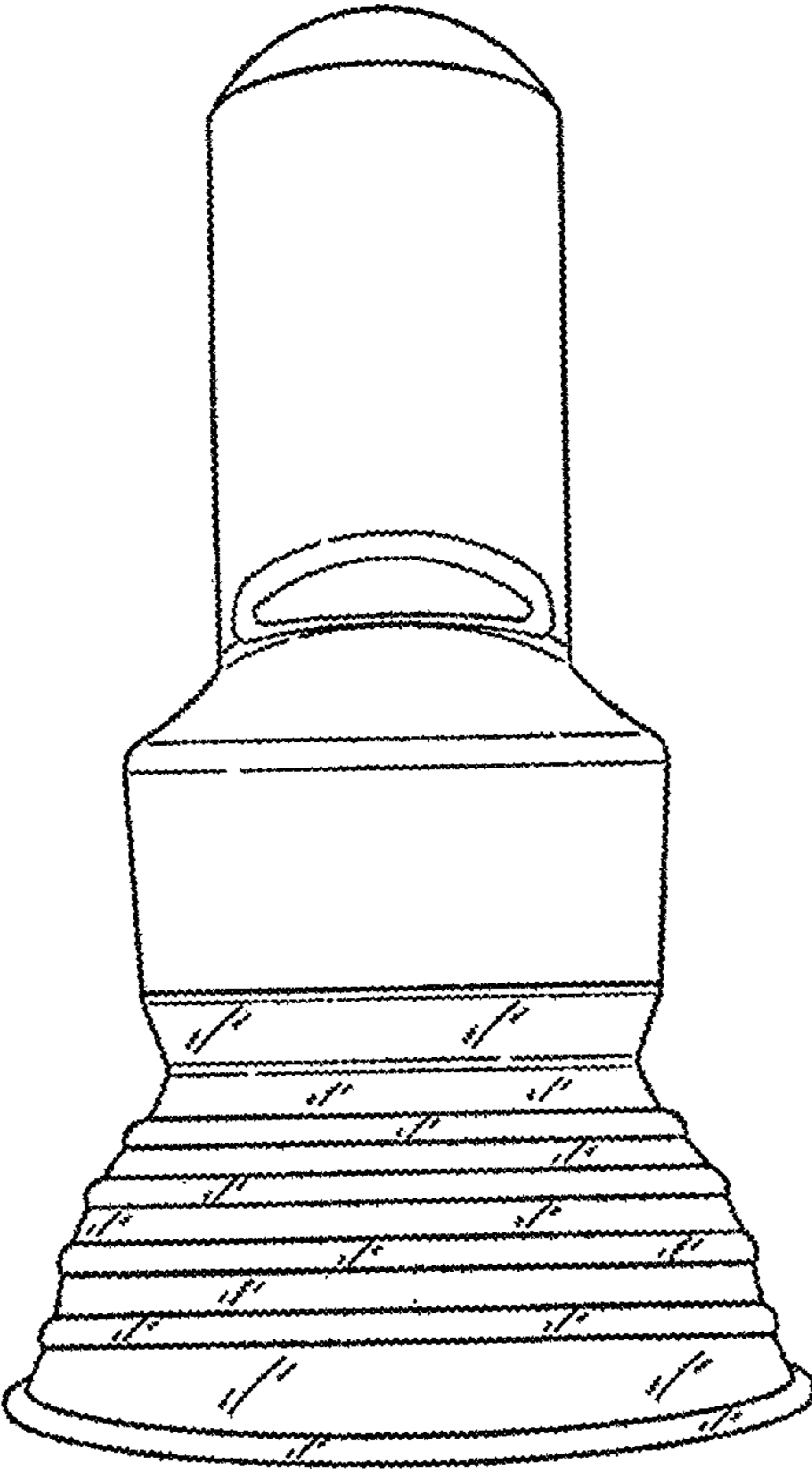


Fig. 3

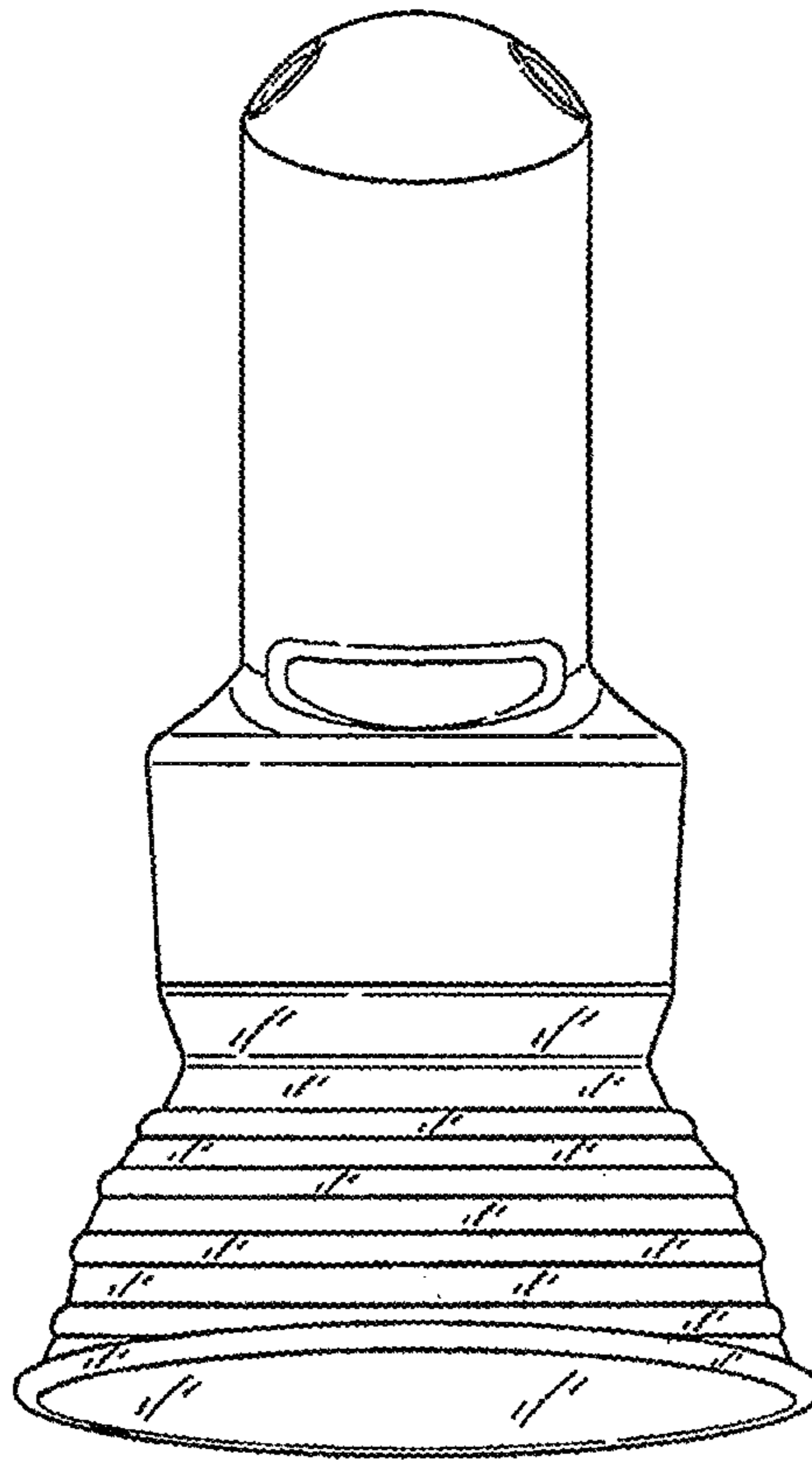


Fig. 4

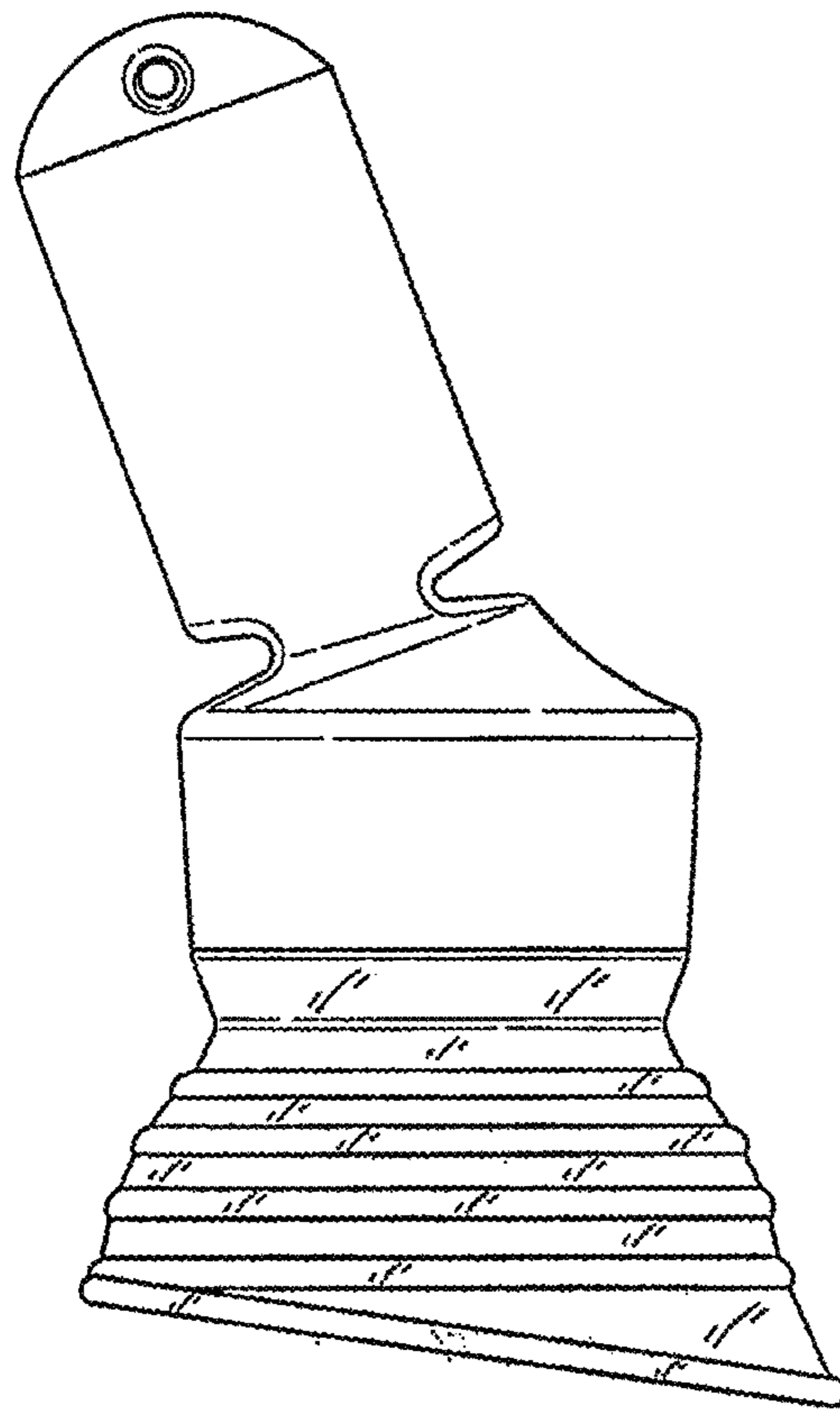


Fig. 5

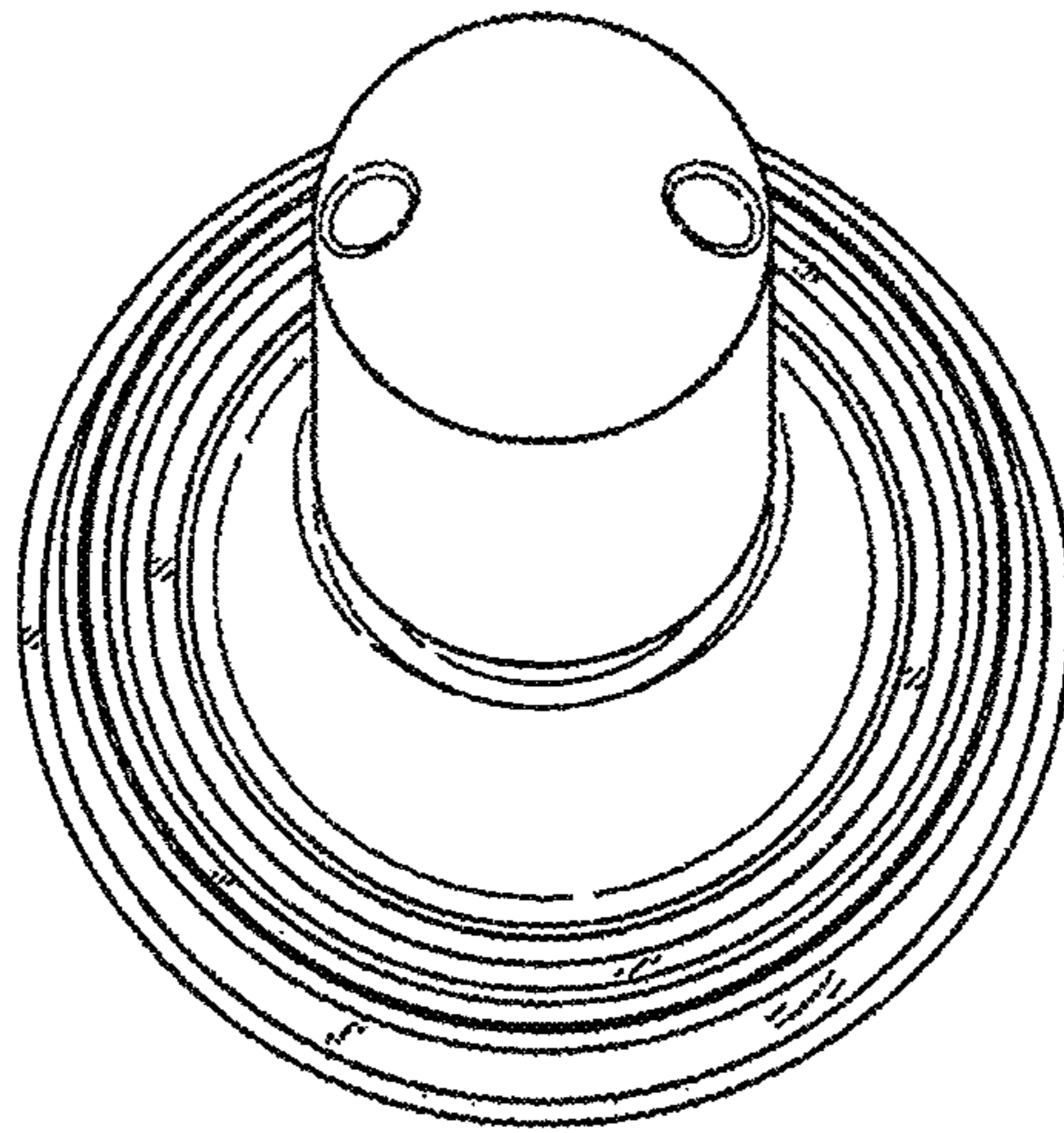


Fig. 6

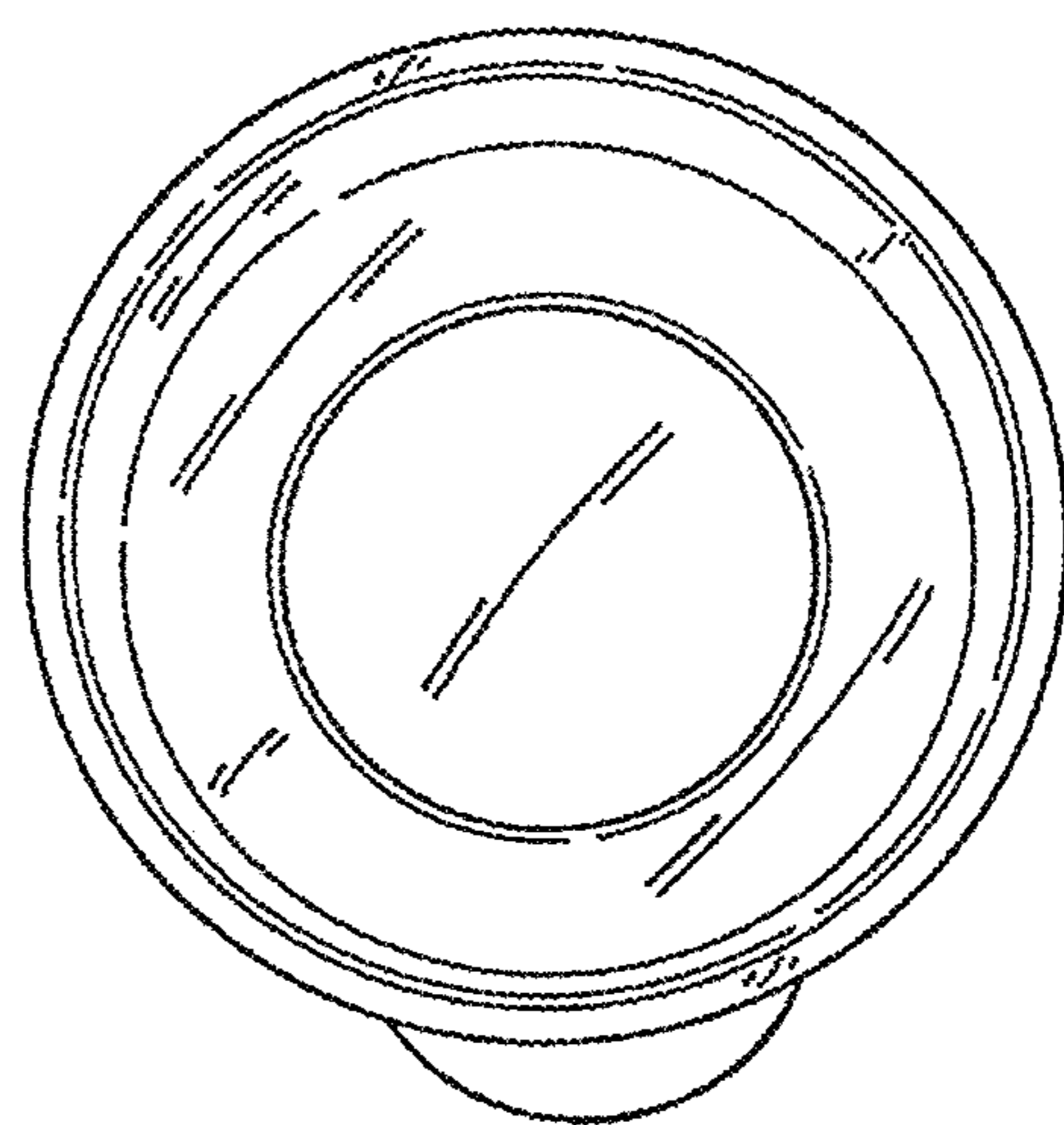


Fig. 7



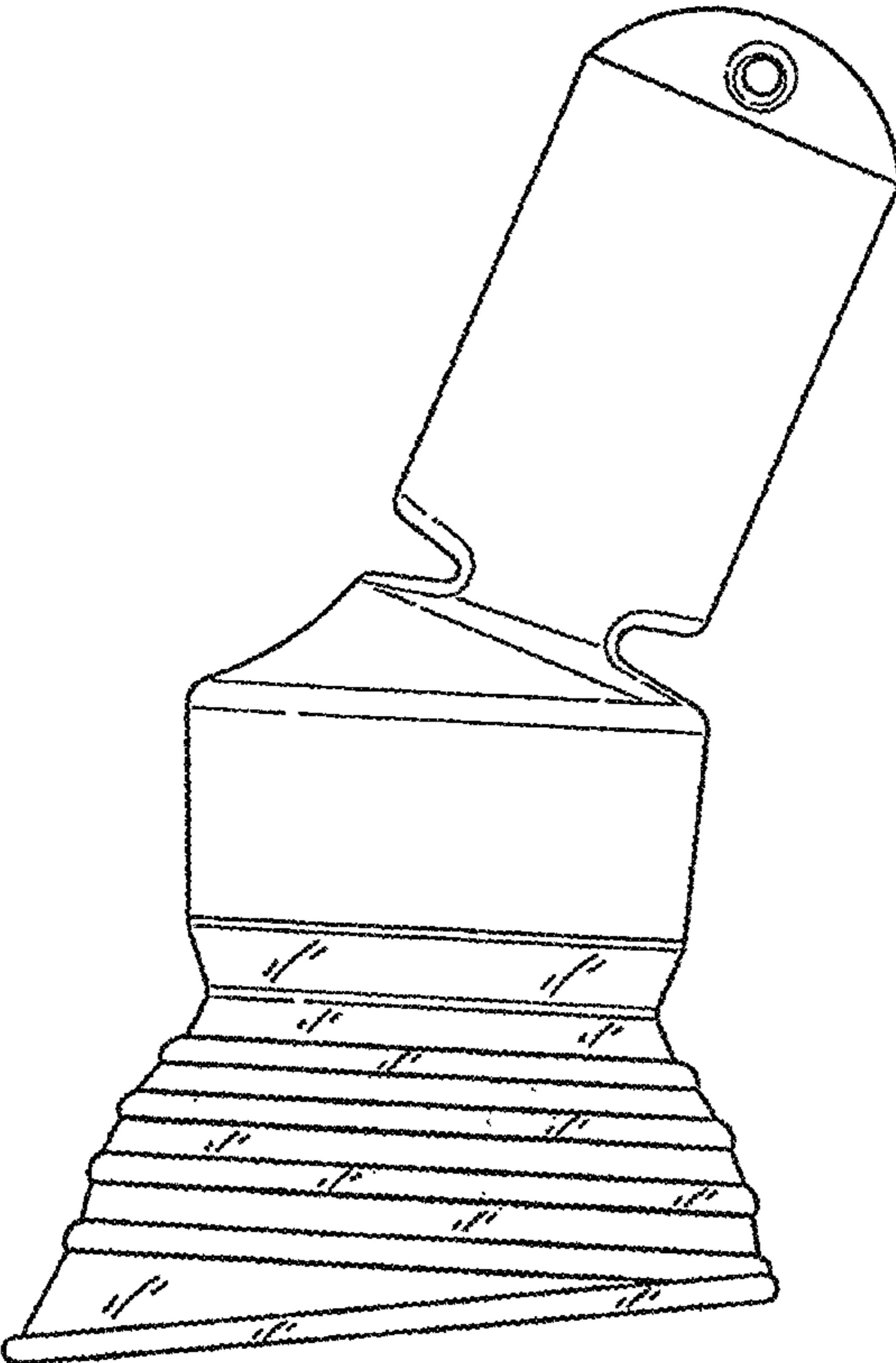


Fig. 8