

US00D750260S

(12) **United States Design Patent**
Sauer

(10) **Patent No.:** **US D750,260 S**
(45) **Date of Patent:** **** Feb. 23, 2016**

(54) **HANDHELD UTERINE SOUND DEVICE**

(71) Applicant: **LSI Solutions, Inc.**, Victor, NY (US)

(72) Inventor: **Jude S. Sauer**, Pittsford, NY (US)

(**) Term: **14 Years**

(21) Appl. No.: **29/432,900**

(22) Filed: **Sep. 21, 2012**

(51) **LOC (10) Cl.** **24-01**

(52) **U.S. Cl.**
USPC **D24/186**

(58) **Field of Classification Search**

USPC D24/112, 130, 133, 135, 138, 141, 144,
D24/146, 149, 155, 158, 167, 186-187,
D24/108; 600/562, 571, 461, 459, 551, 591,
600/586, 437, 441-453; 606/119

See application file for complete search history.

(56) **References Cited**

U.S. PATENT DOCUMENTS

3,630,190	A *	12/1971	Baker	600/591
3,796,211	A *	3/1974	Kohl	600/562
D245,514	S *	8/1977	Pennebaker	D24/187
4,742,829	A *	5/1988	Law et al.	600/461
D300,175	S *	3/1989	Bar-Yam	D24/138
4,841,979	A *	6/1989	Dow et al.	600/446
D304,760	S *	11/1989	Curtis et al.	D24/141
D320,078	S *	9/1991	Terwilliger et al.	D24/158
5,217,024	A *	6/1993	Dorsey et al.	600/571
5,445,643	A *	8/1995	Valtchev	606/119
5,464,409	A *	11/1995	Mohajer	606/119
D372,311	S *	7/1996	Koros et al.	D24/147
5,571,115	A *	11/1996	Nicholas	606/119
D393,311	S *	4/1998	Kirsner	D24/141
D396,287	S *	7/1998	Morales	D24/141
D408,529	S *	4/1999	Hechel	D24/112
D409,746	S *	5/1999	Hechel	D24/112
5,916,173	A *	6/1999	Kirsner	600/551
D445,495	S *	7/2001	Schaefer et al.	D24/108
D455,210	S *	4/2002	Henderson et al.	D24/133
6,423,075	B1 *	7/2002	Singh et al.	606/119
D485,358	S *	1/2004	Woo	D24/135
D518,175	S *	3/2006	Hardin et al.	D24/133
7,066,889	B2 *	6/2006	Taylor	600/459

D547,864	S *	7/2007	Rau et al.	D24/133
D590,945	S *	4/2009	Berberich	D24/146
D600,793	S *	9/2009	Bierman et al.	D24/112
D605,760	S *	12/2009	George et al.	D24/135
D615,197	S *	5/2010	Koh et al.	D24/133
D628,694	S *	12/2010	Donnez	D24/141
D660,428	S *	5/2012	Hohl	D24/141
D663,832	S *	7/2012	Essinger et al.	D24/112
D667,550	S *	9/2012	Keckstein	D24/141
D673,271	S *	12/2012	George	D24/135
D701,305	S *	3/2014	Greco	D24/133
2008/0228082	A1 *	9/2008	Scheirer et al.	600/459
2009/0131954	A1 *	5/2009	Christian et al.	606/119
2010/0274260	A1 *	10/2010	D'Arpiany et al.	606/119
2010/0280524	A1 *	11/2010	Lopez Zepeda	606/119
2011/0028864	A1 *	2/2011	Doubrava et al.	600/591

FOREIGN PATENT DOCUMENTS

EP 002206136-0002 3/2013

* cited by examiner

Primary Examiner — T. Chase Nelson

Assistant Examiner — Mark Cavanna

(57) **CLAIM**

The ornamental design for a handheld uterine sound device, as shown and described herein.

DESCRIPTION

FIG. 1 is a front perspective view of a handheld uterine sound device showing the present design with the tip in a rotated configuration;

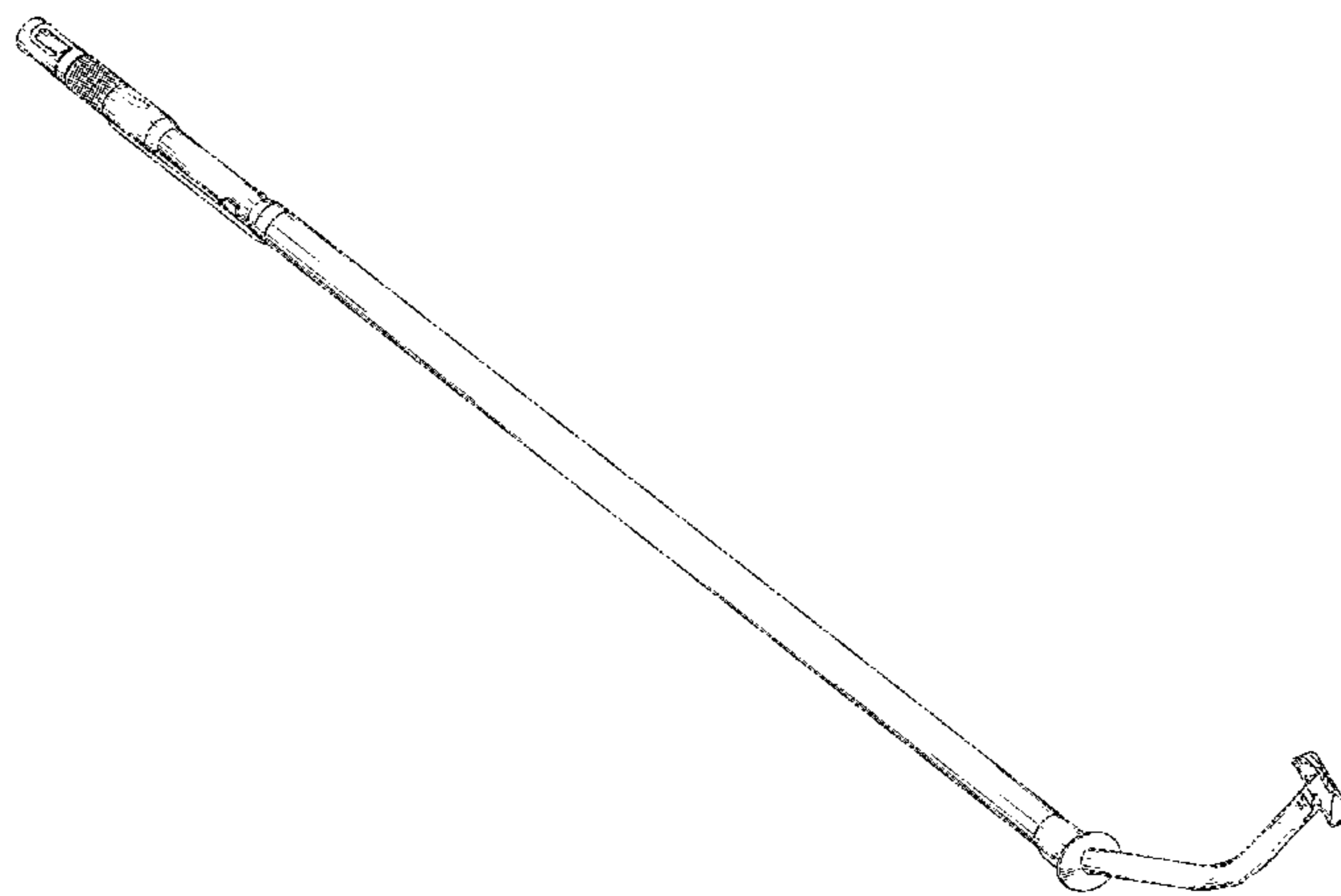
FIG. 2 is an enlarged partial front perspective view of the tip end of the handheld uterine sound device shown in FIG. 1 with the tip in a rotated configuration position shown separately for clarity of illustration;

FIG. 3 is an enlarged partial front perspective view of the end of the handheld uterine sound device shown in FIG. 1 shown separately for clarity of illustration;

FIG. 4 is a rear perspective view of the handheld uterine sound device shown in FIG. 1 with the tip in a rotated configuration position;

FIG. 5 is an enlarged partial rear perspective view of the end of the handheld uterine sound device shown in FIG. 4 shown separately for clarity of illustration;

FIG. 6 is an enlarged partial rear perspective view of the tip end of the handheld uterine sound device shown in FIG. 4



with the tip in a rotated configuration position shown separately for clarity of illustration;

FIG. 7 is a bottom perspective view of the handheld uterine sound device shown in FIG. 1 with the tip in a rotated configuration position;

FIG. 8 is an enlarged partial bottom perspective view of the tip end of the handheld uterine sound device shown in FIG. 7 with the tip in a rotated configuration position shown separately for clarity of illustration;

FIG. 9 is an enlarged partial bottom perspective view of the end of the handheld uterine sound device shown in FIG. 7 shown separately for clarity of illustration;

FIG. 10 is an enlarged partial bottom perspective view of a typical central portion of the handheld uterine sound device shown in FIG. 7 shown separately for clarity of illustration;

FIG. 11 is a front elevational view of the handheld uterine sound device shown in FIG. 1 with the tip in an extended configuration position;

FIG. 12 is an enlarged front elevational view of the handheld uterine sound device shown in FIG. 11 with the tip in an extended configuration position shown enlarged for clarity of illustration;

FIG. 13 is a rear elevational view of the handheld uterine sound device shown in FIG. 1 with the tip in an extended configuration position;

FIG. 14 is an enlarged partial rear elevational view of the handheld uterine sound device shown in FIG. 12 shown enlarged for clarity of illustration;

FIG. 15 is a left side view of the handheld uterine sound device shown in FIG. 1, with the tip in a rotated position configuration and the right side view being a mirror image thereof;

FIG. 16 is an enlarged partial side view of the handheld uterine sound device shown in FIG. 15 with the tip in a rotated

configuration position and the right side view being a mirror image thereof shown enlarged for clarity of illustration;

FIG. 17 is a top plan view of the handheld uterine sound device shown in FIG. 1 with the tip in an extended configuration;

FIG. 18 is an enlarged partial top plan view of the end of the handheld uterine sound device shown in FIG. 17 shown enlarged for clarity of illustration;

FIG. 19 is an enlarged partial top plan view of the tip end of the handheld uterine sound device shown in FIG. 17 with the tip in an extended configuration shown enlarged for clarity of illustration;

FIG. 20 is a bottom plan view of the handheld uterine sound device shown in FIG. 1 with the tip in an extended configuration;

FIG. 21 is an enlarged partial top plan view of a typical central portion of the handheld uterine sound device shown in FIG. 17 shown separately for clarity of illustration;

FIG. 22 is the same front perspective view of the handheld uterine sound device shown in FIG. 1 with the tip in an extended configuration;

FIG. 23 is an enlarged partial front perspective view of the end of the handheld uterine sound device shown in FIG. 22 shown separately for clarity of illustration; and,

FIG. 24 is an enlarged partial front perspective view of the tip end of the handheld uterine sound device shown in FIG. 22 with the tip in an extended configuration shown separately for clarity of illustration.

The “dot/dash” type broken lines are used to terminate the enlarged partial views and the “dash/dash” type broken lines are included for the purpose of illustrating unclaimed portions of the handheld uterine sound device and form no part of the claimed design.

1 Claim, 19 Drawing Sheets

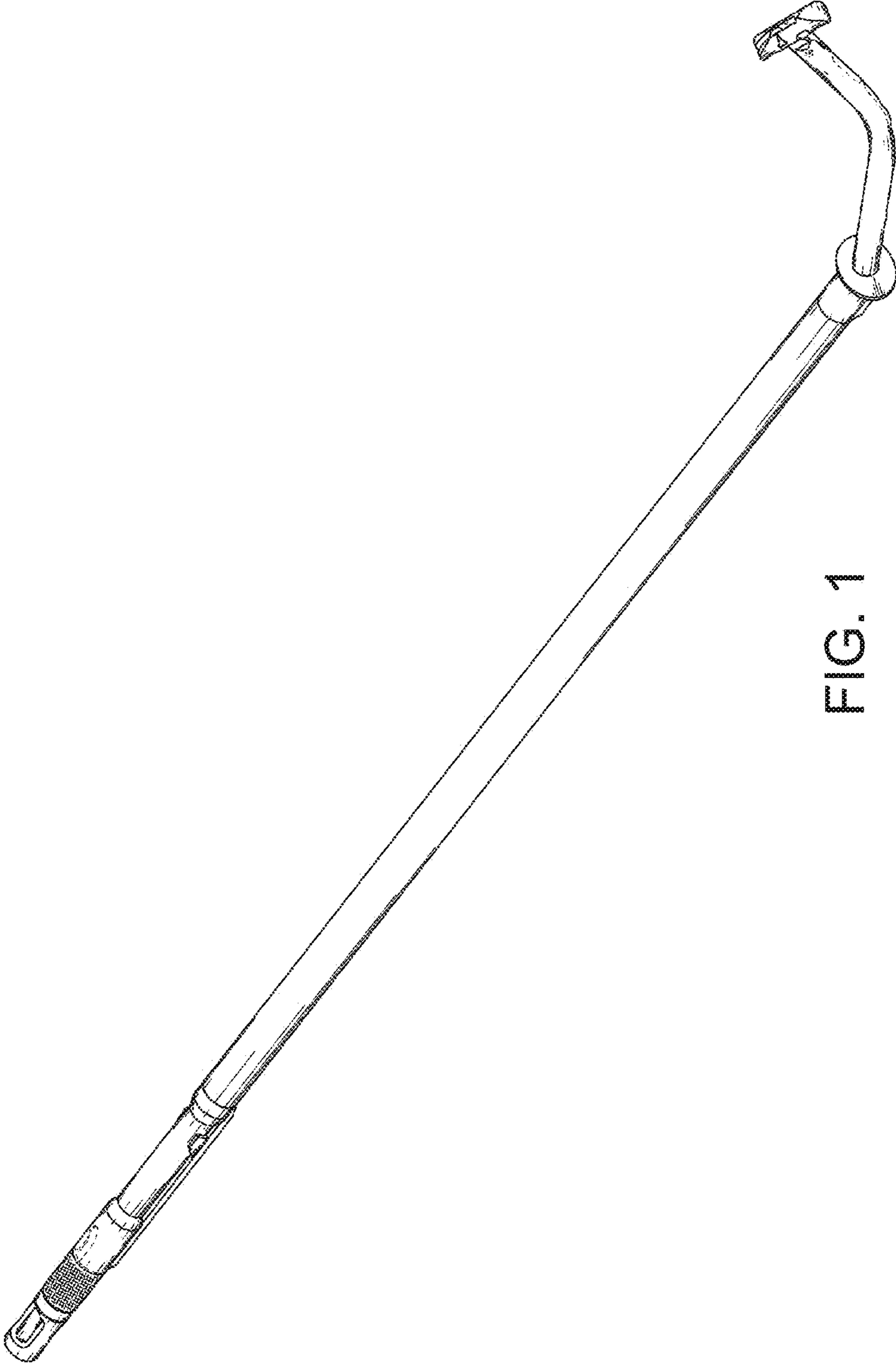


FIG. 1

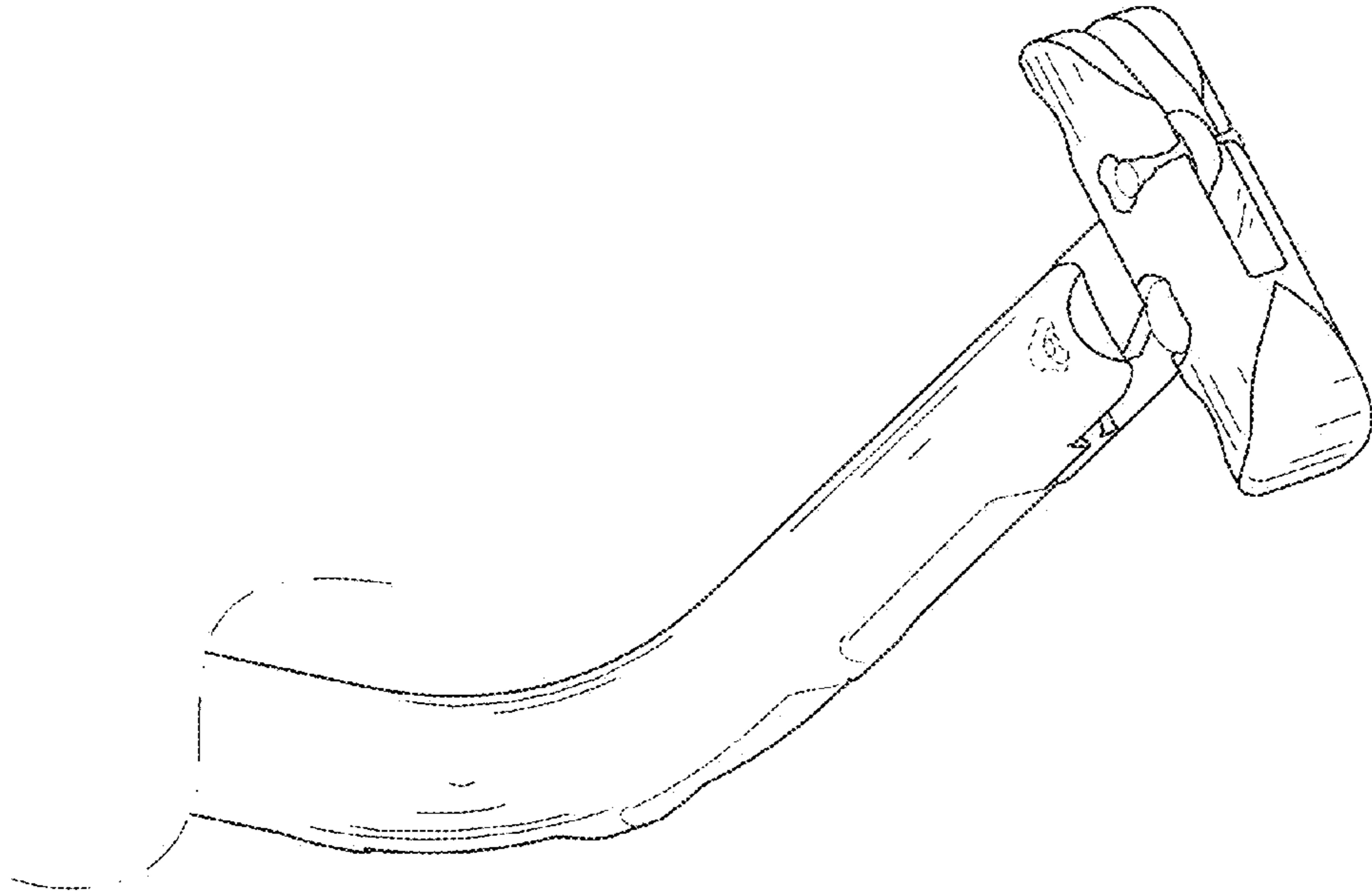


FIG. 2

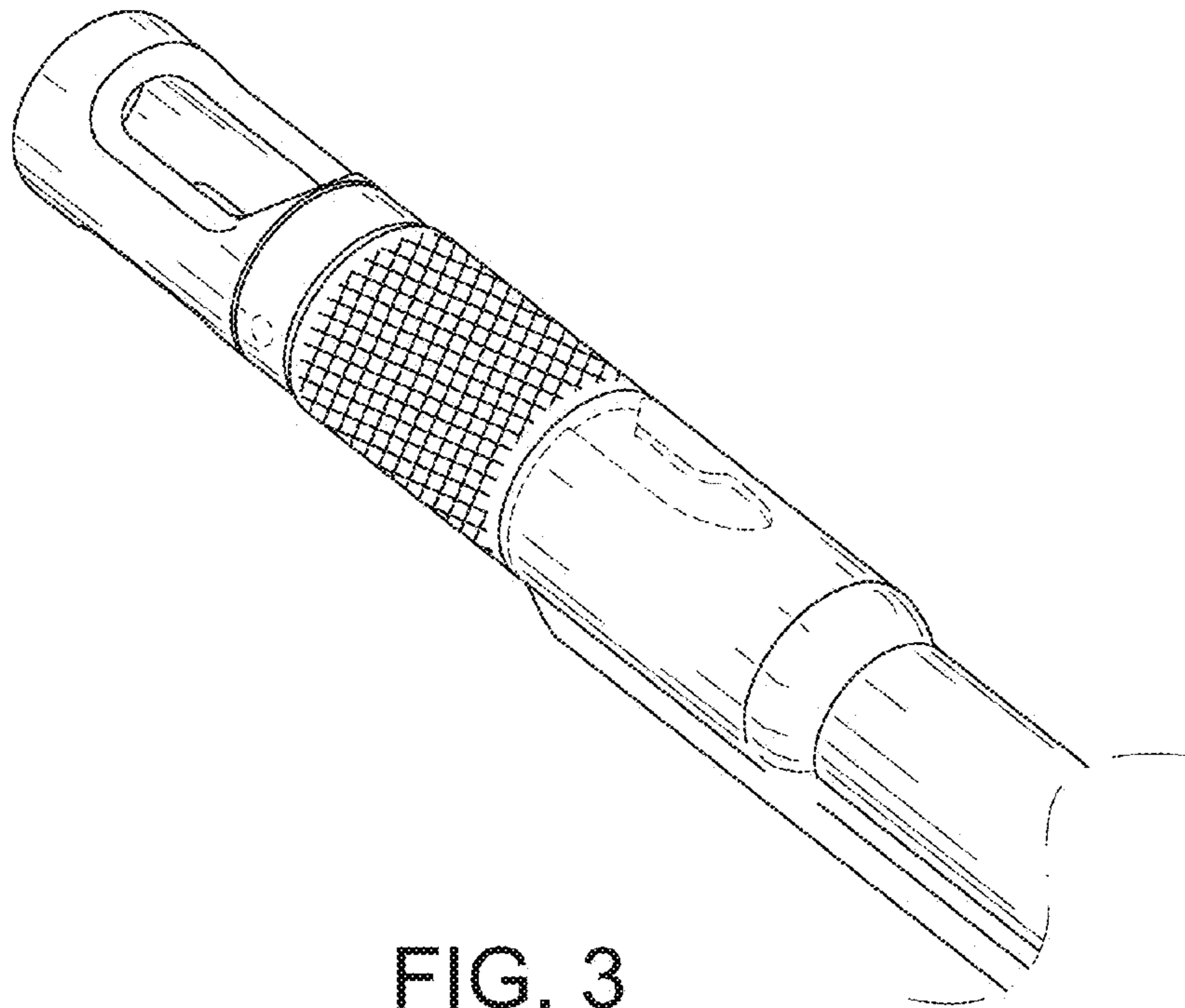


FIG. 3

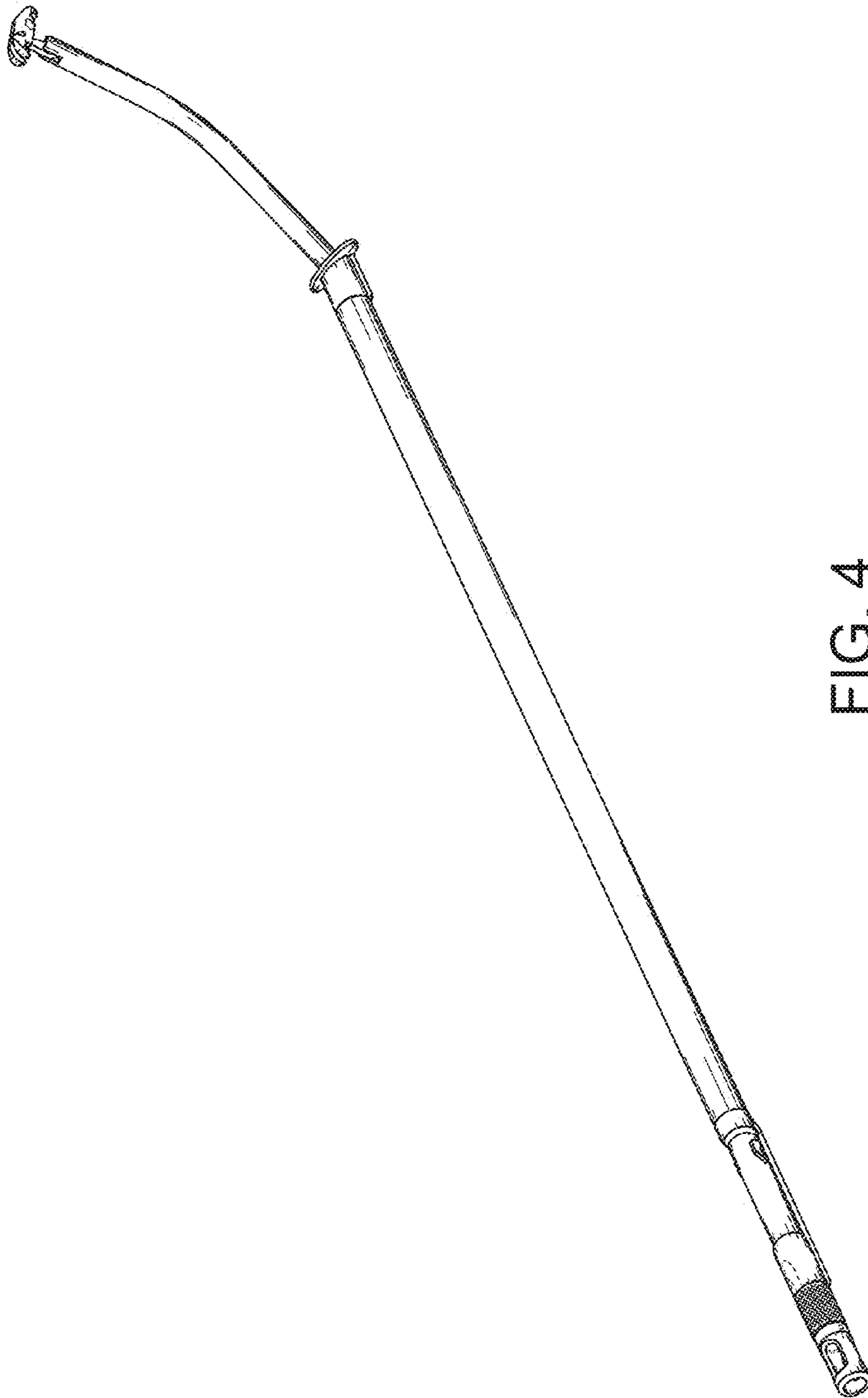


FIG. 4

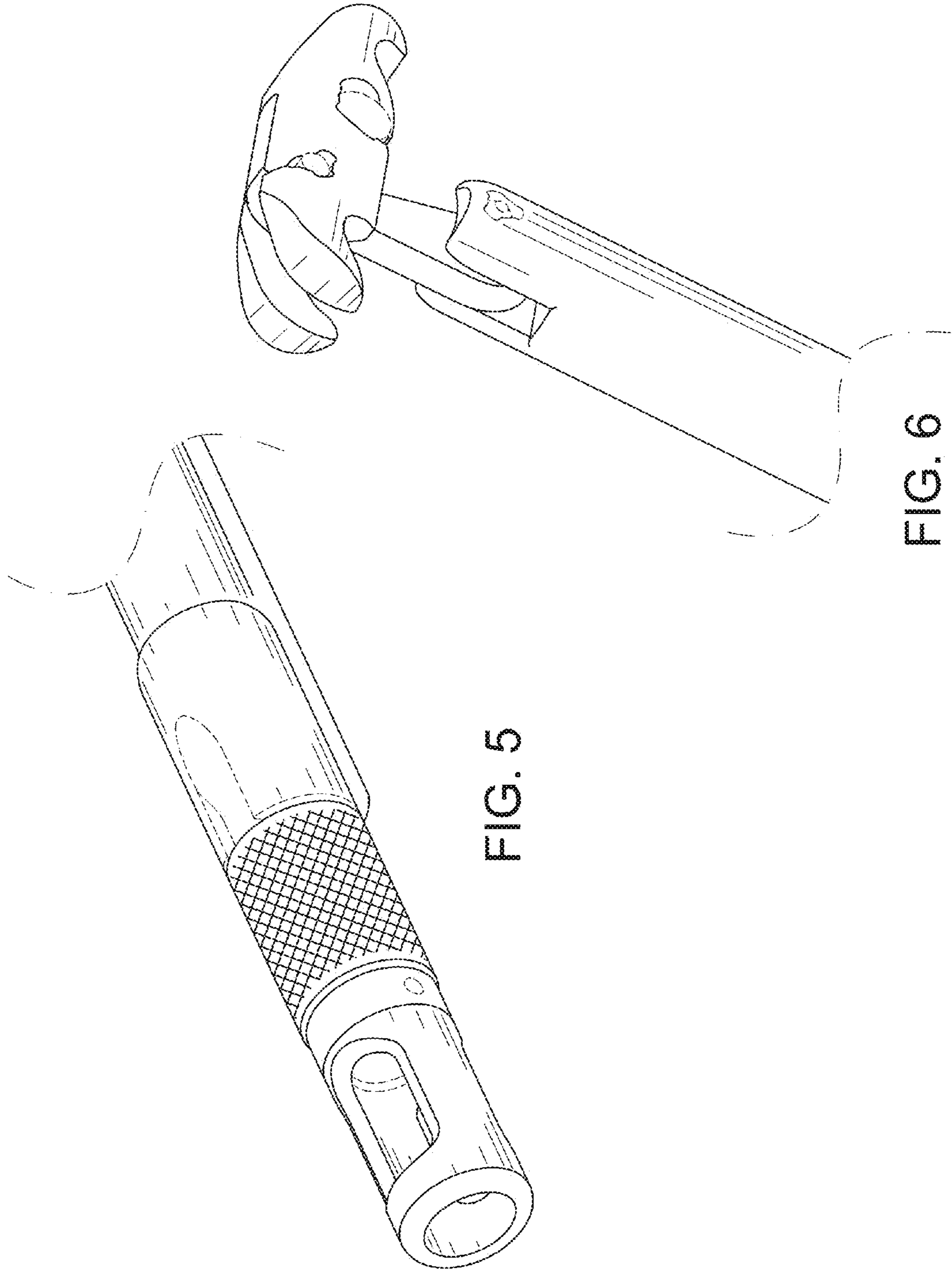


FIG. 5

FIG. 6

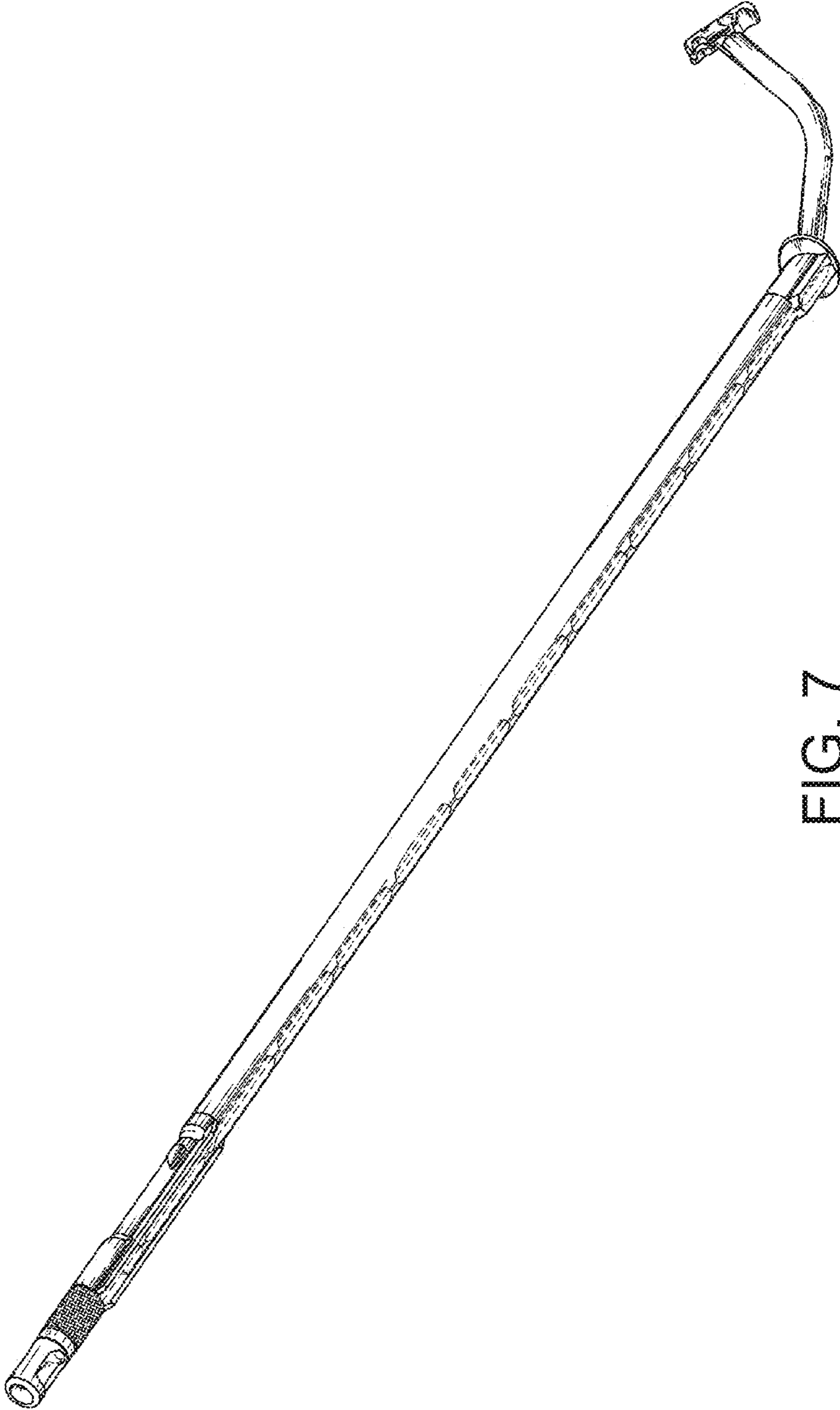


FIG. 7

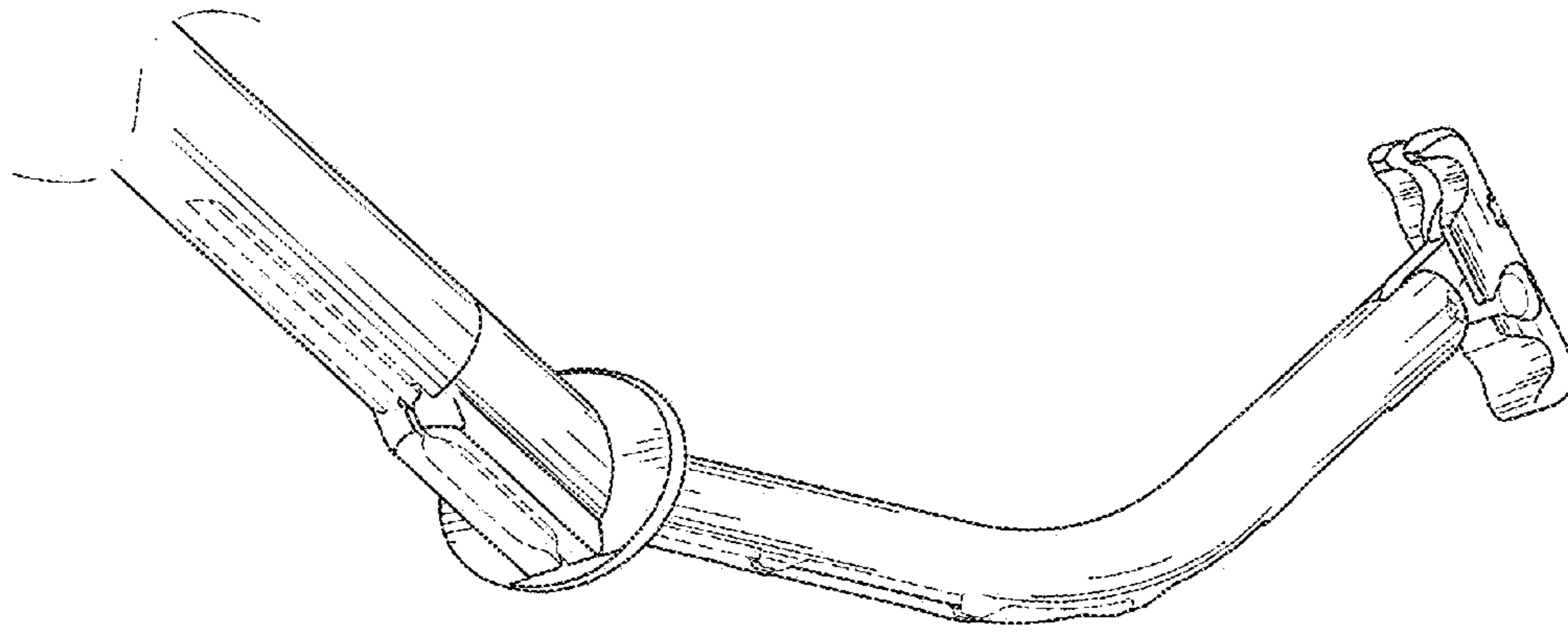


FIG. 8

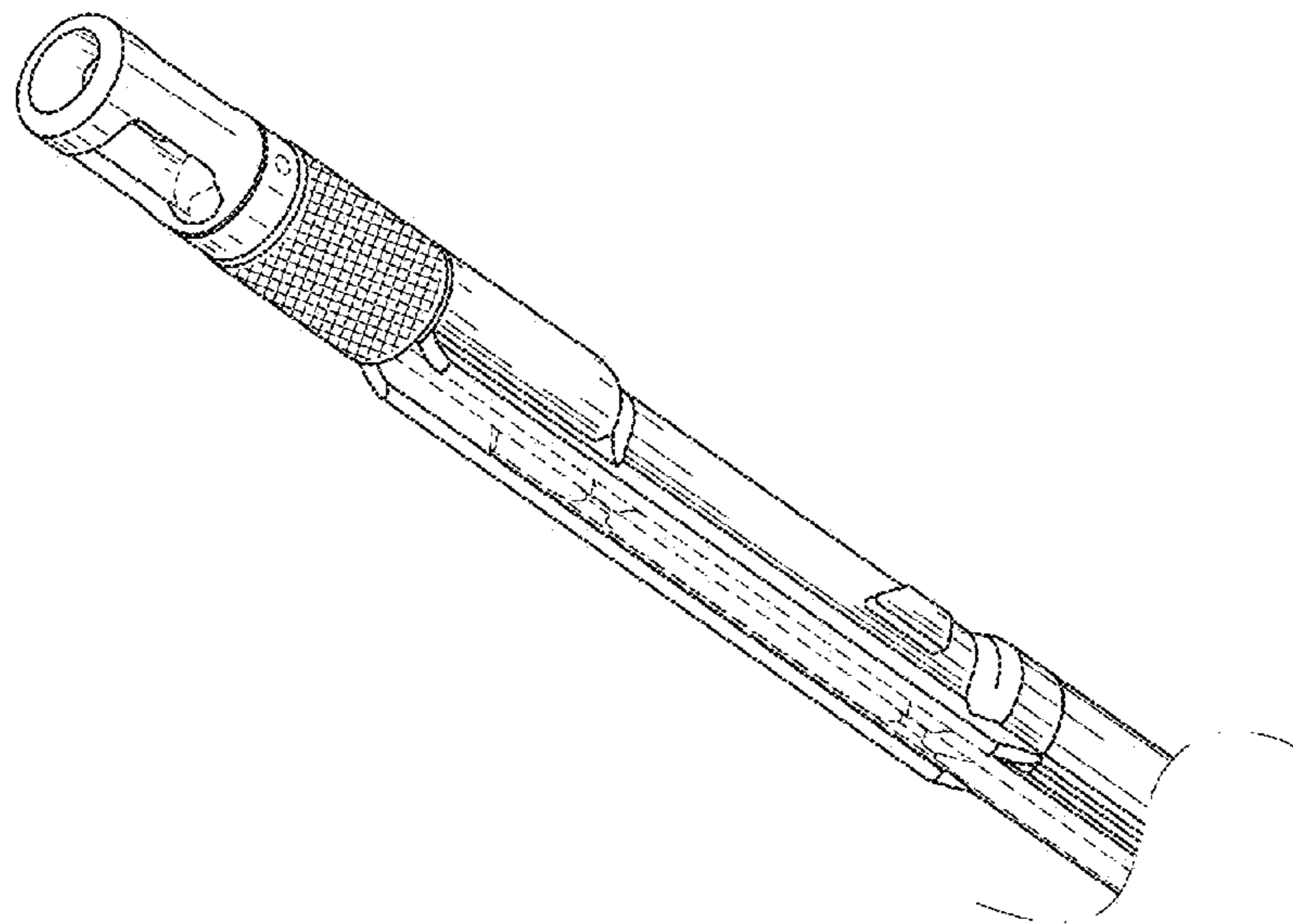


FIG. 9

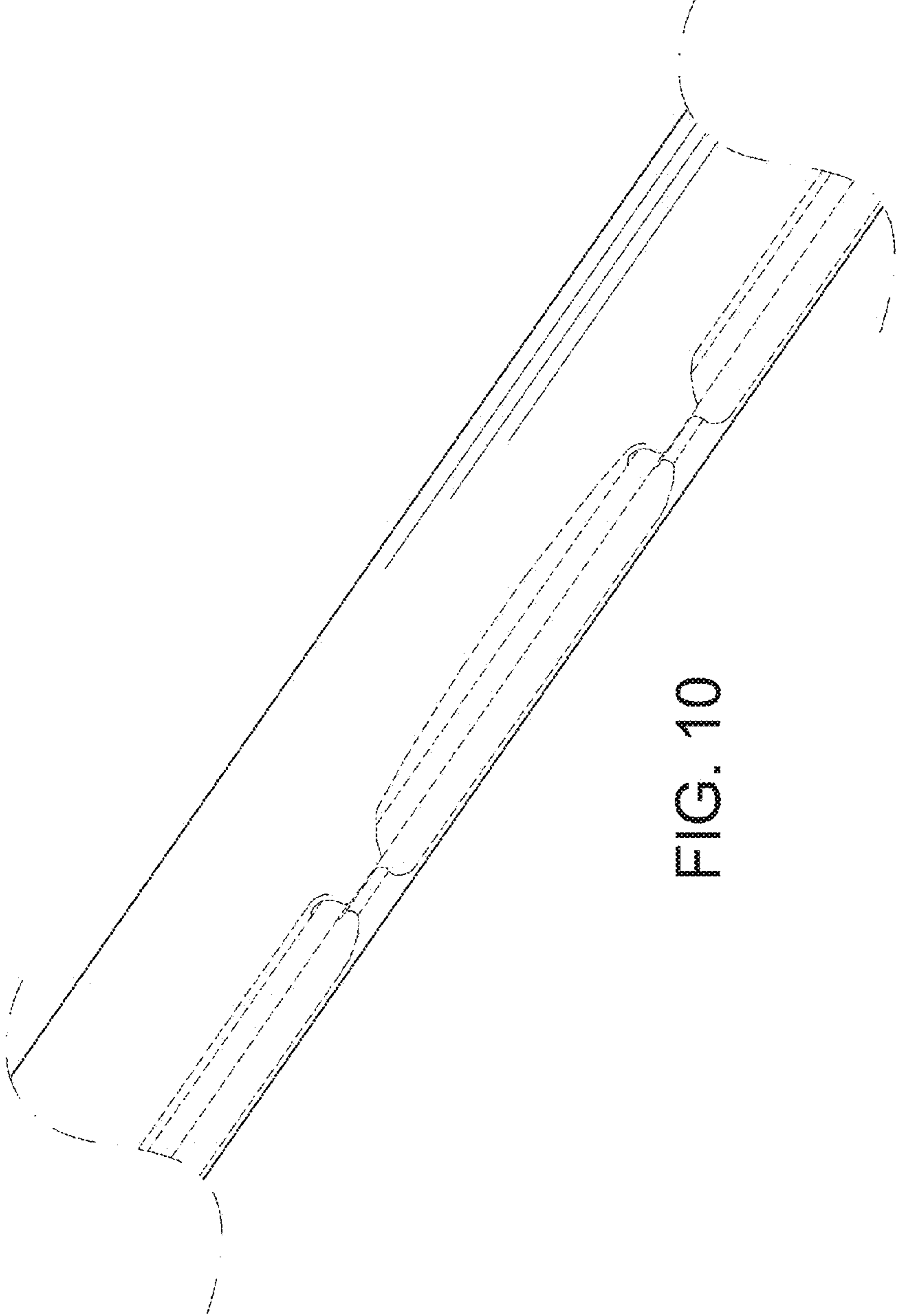


FIG. 10

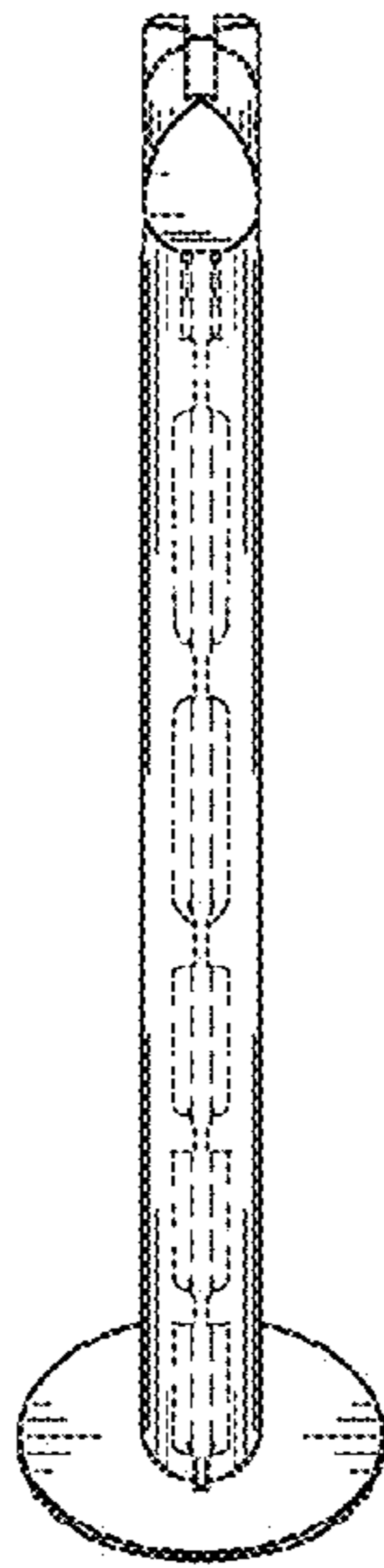


FIG. 11

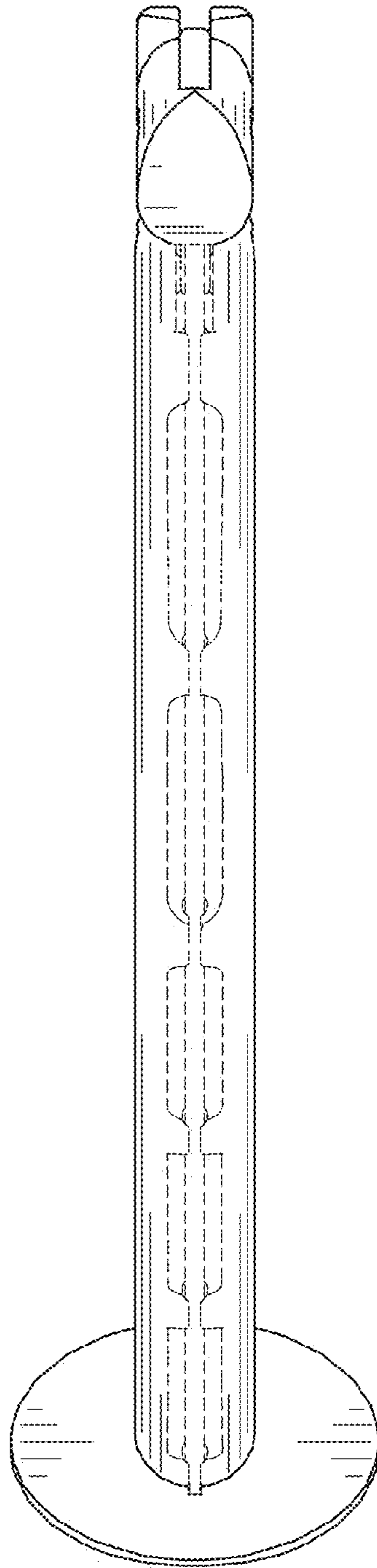


FIG. 12

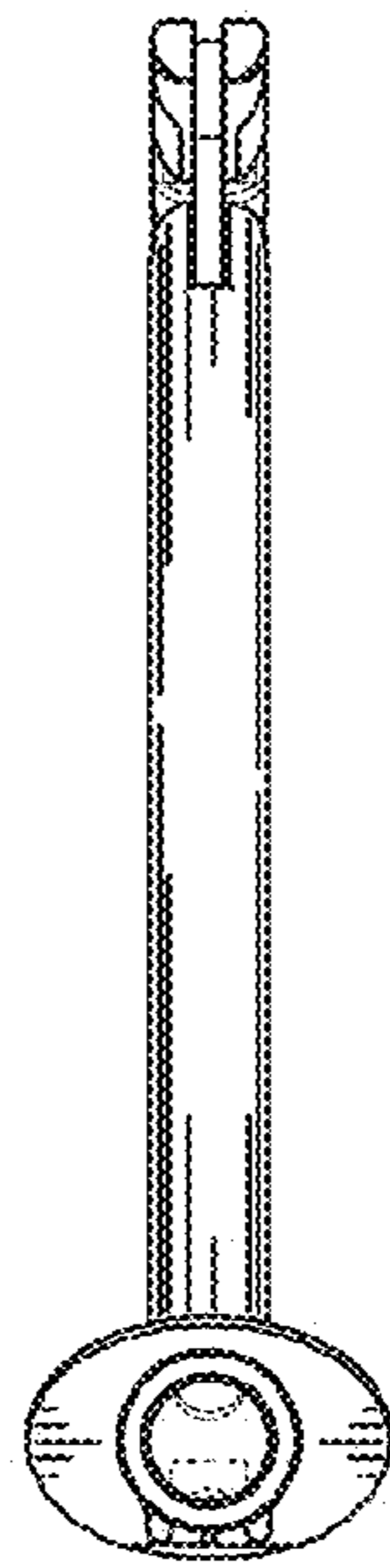


FIG. 13

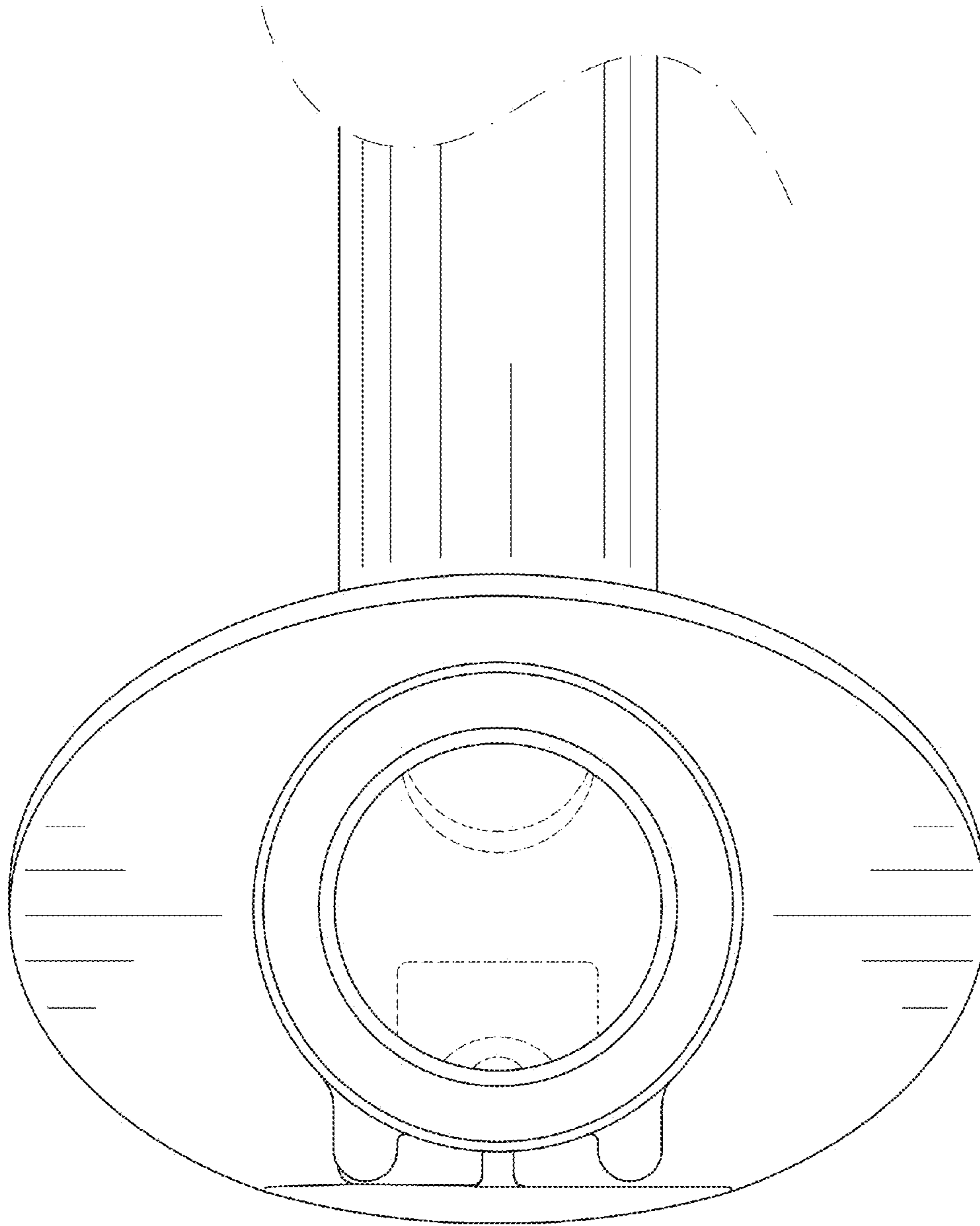


FIG. 14

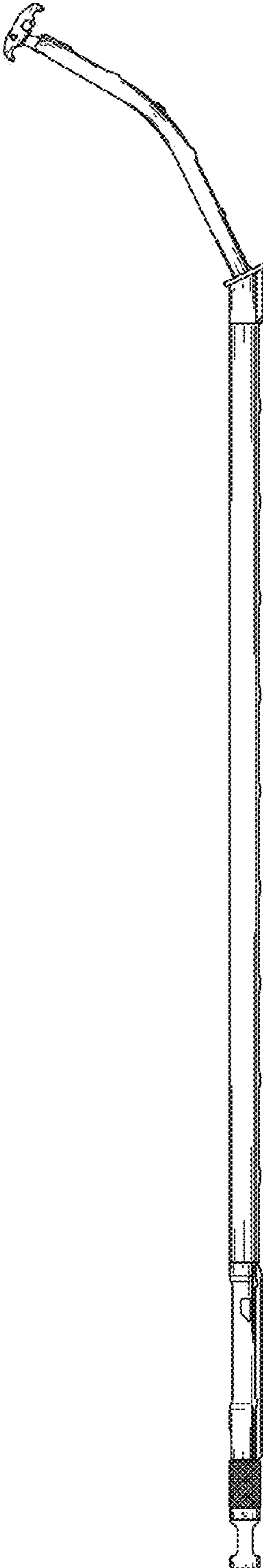


FIG. 15

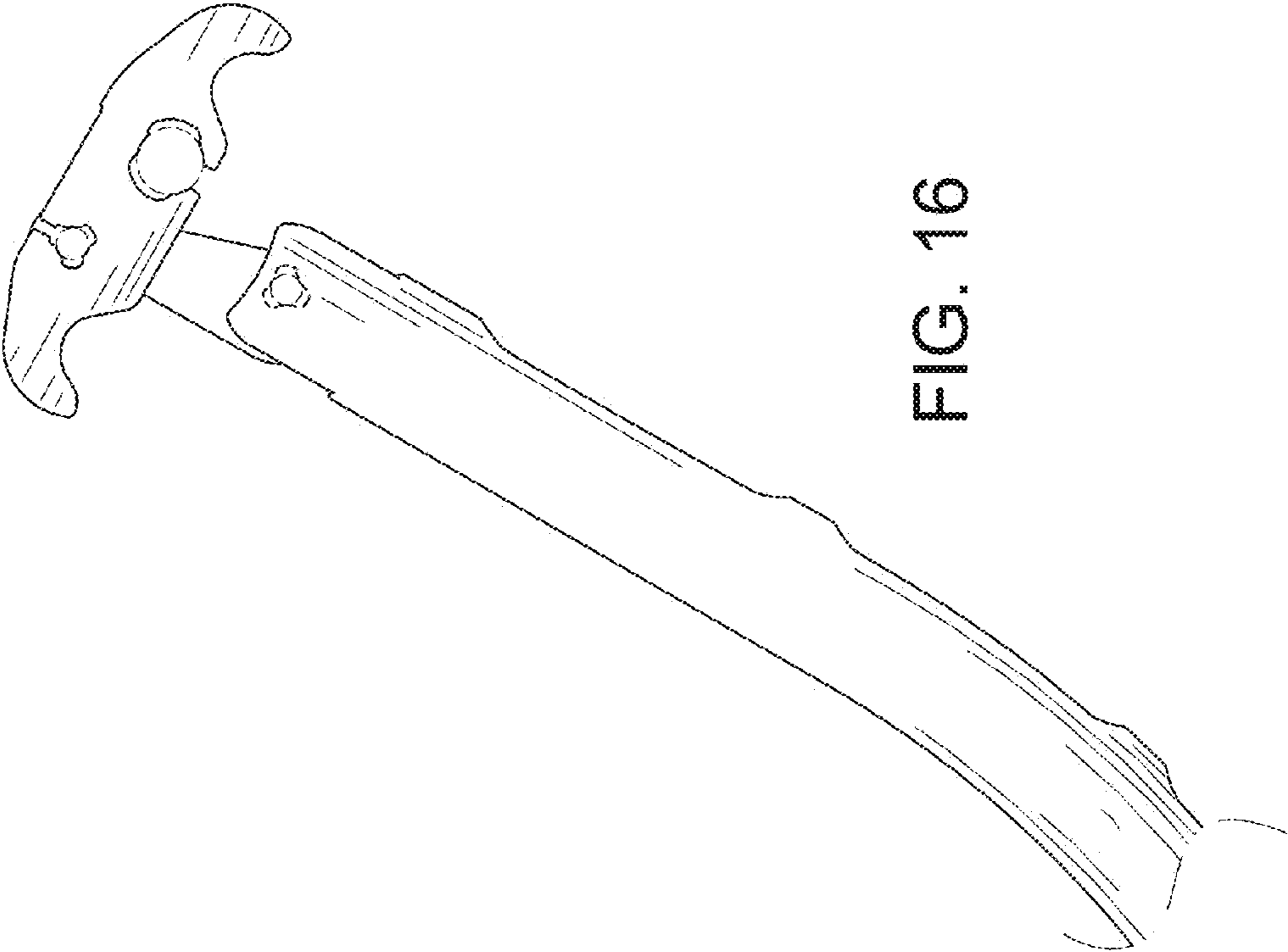


FIG. 16

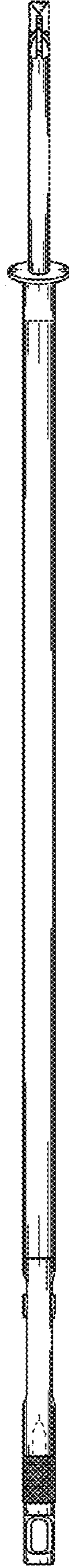


FIG. 17

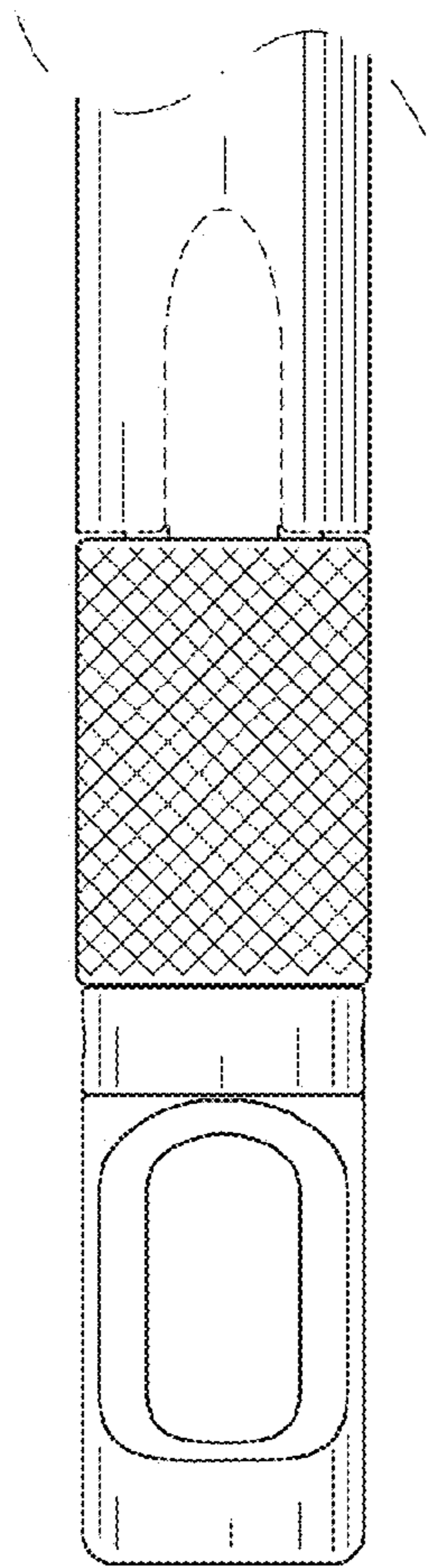


FIG. 18

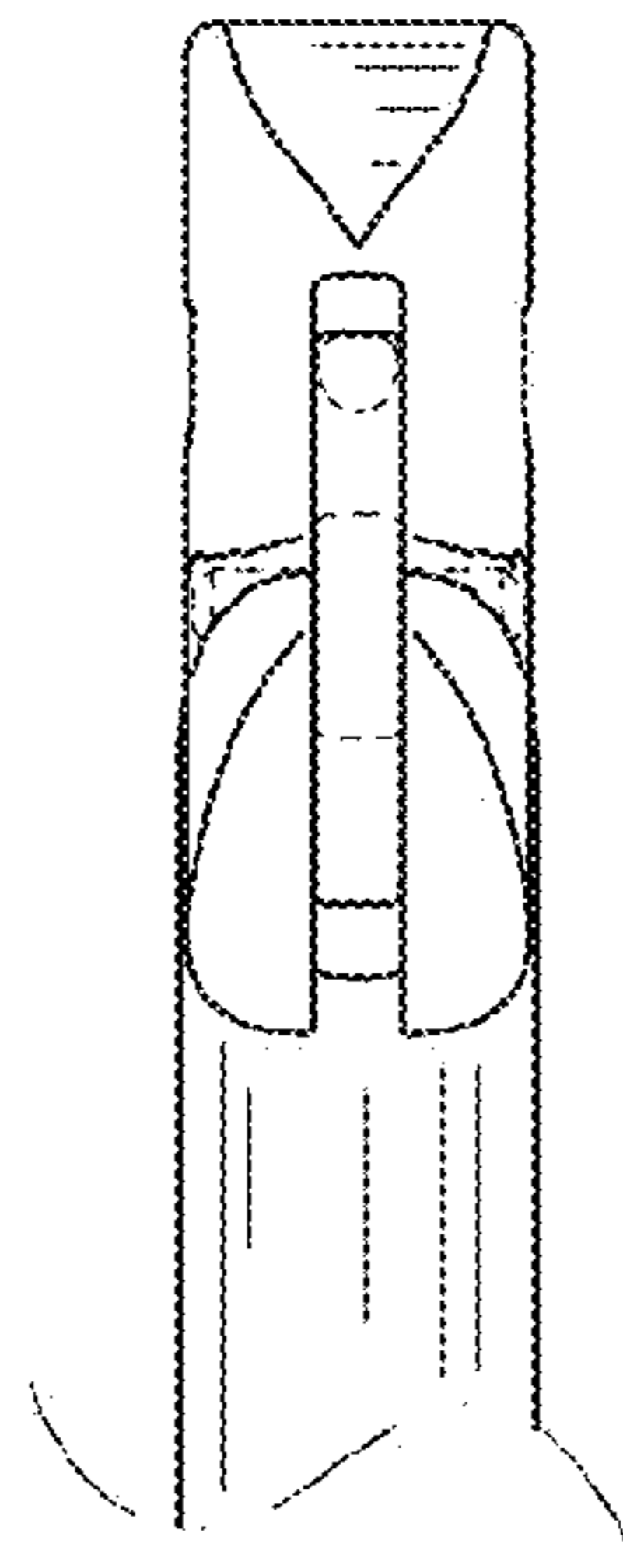


FIG. 19

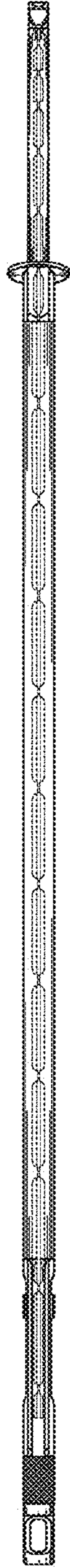


FIG. 20

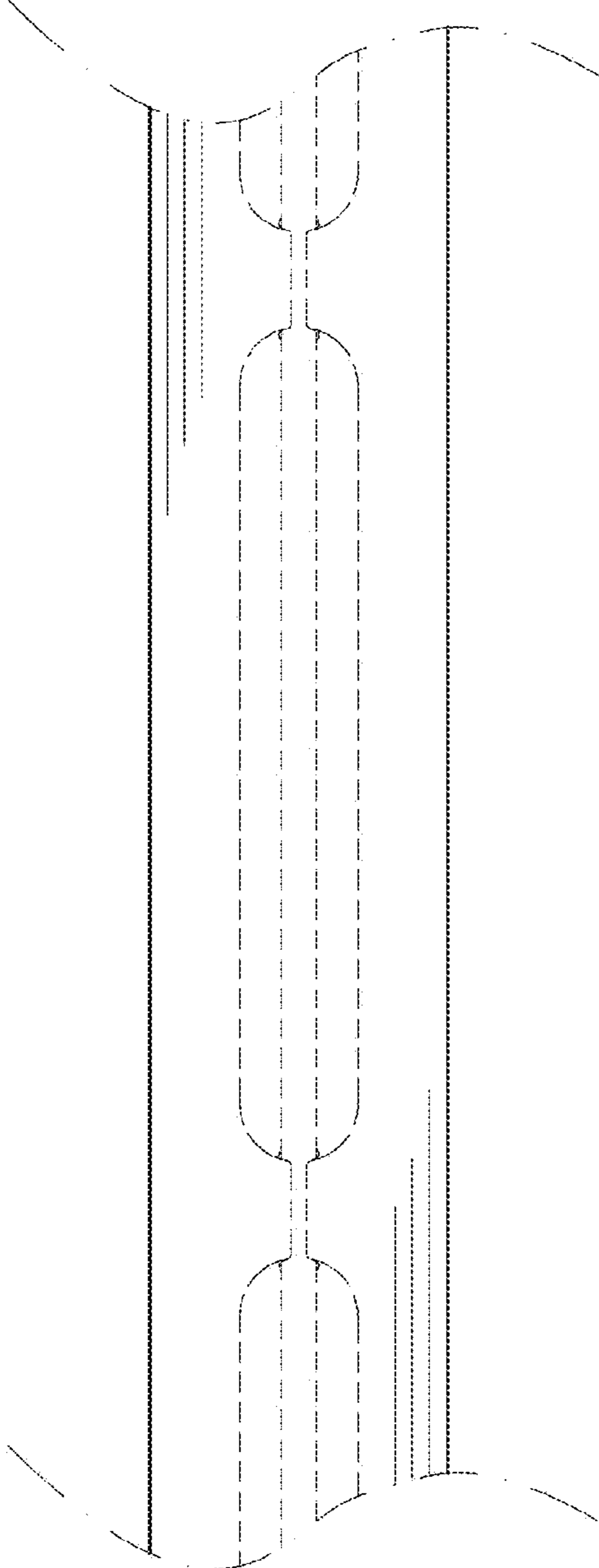


FIG. 21

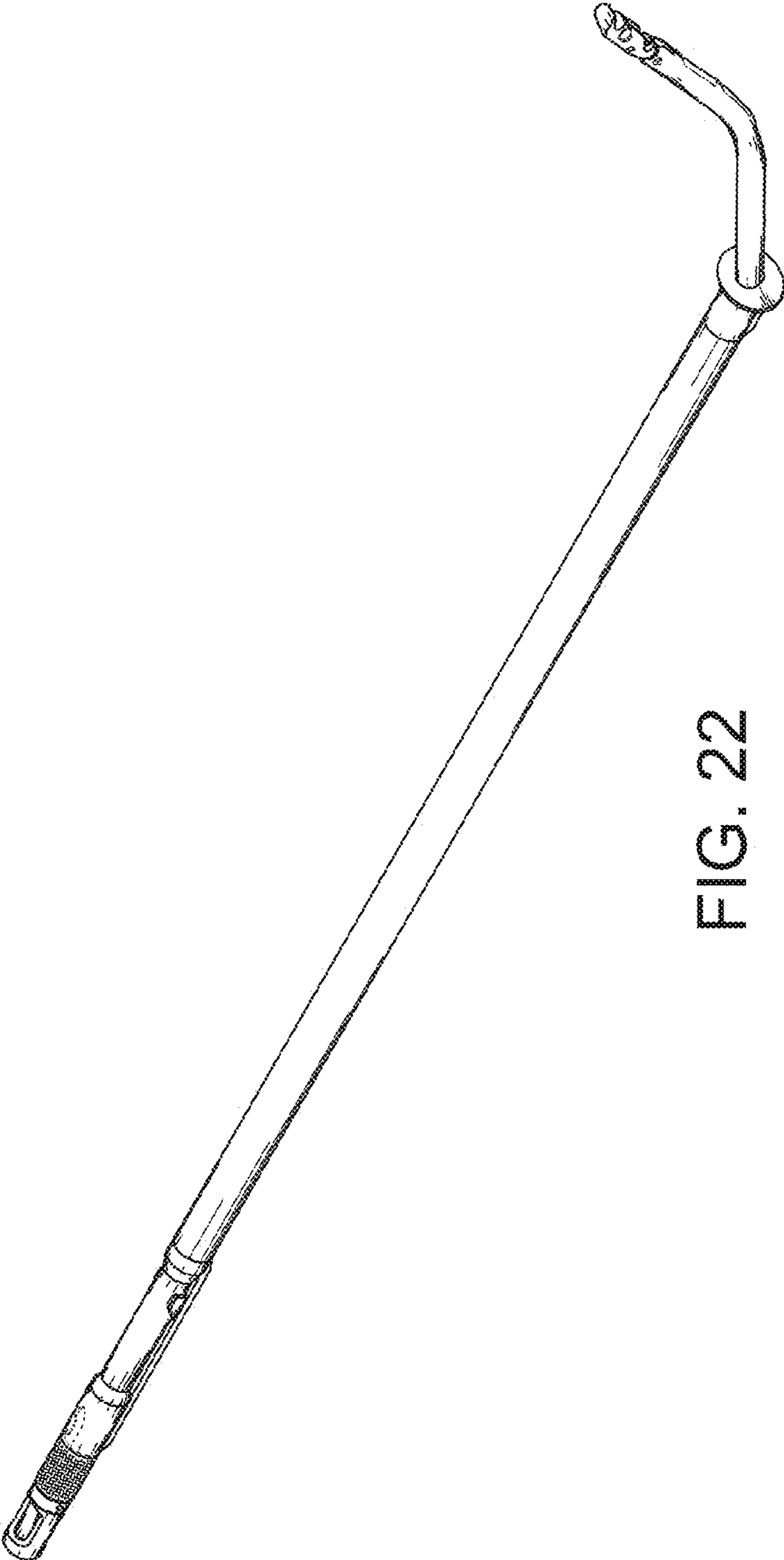


FIG. 22



FIG. 24

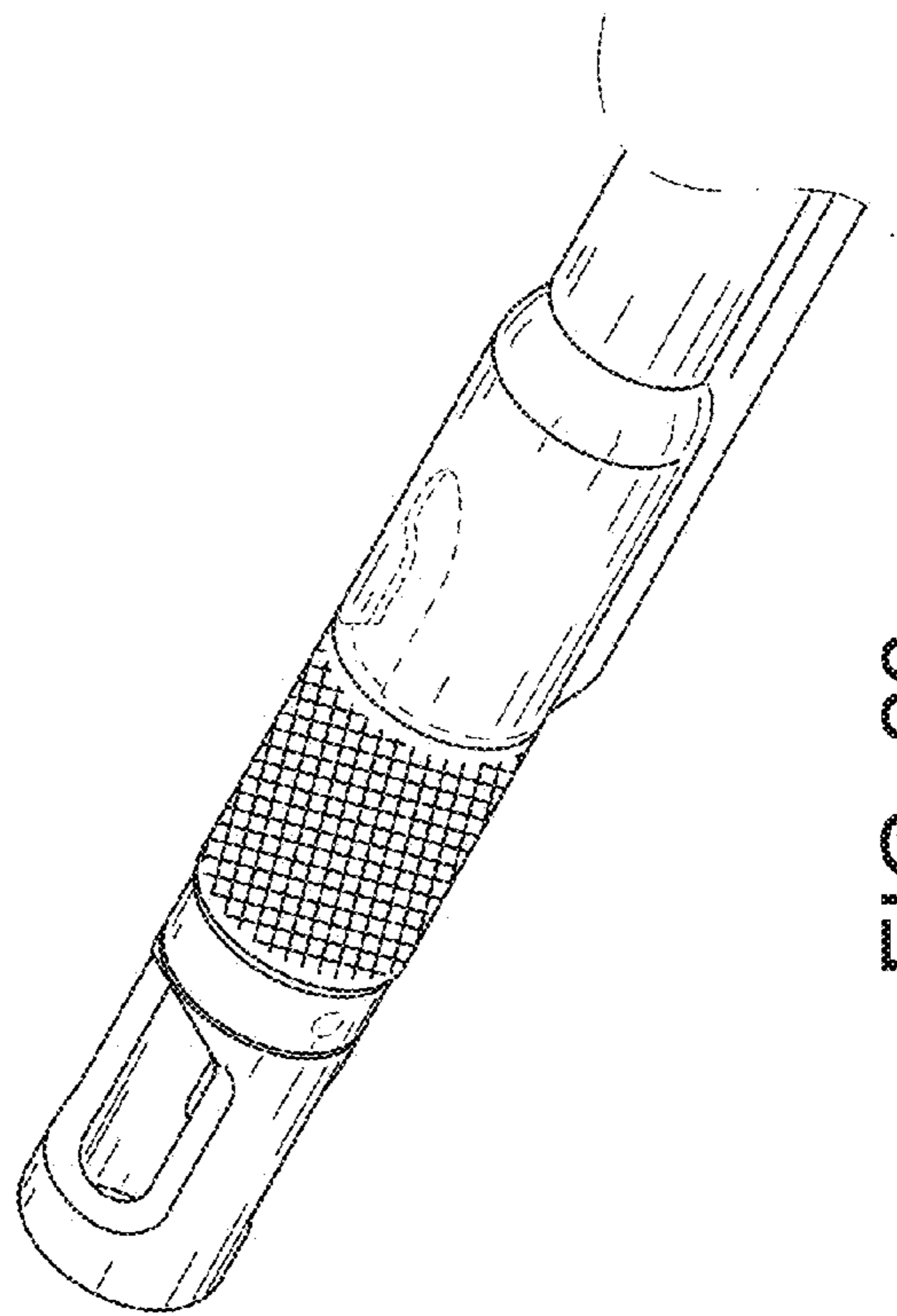


FIG. 23